

US00D507698S

(12) **United States Design Patent**  
**Hooper**

(10) **Patent No.: US D507,698 S**

(45) **Date of Patent: \*\* Jul. 26, 2005**

(54) **COMBINATION LUNCH BAG AND BOOK BAG**

(76) **Inventor: Phyllis Hooper**, 311 North Ave., New Rochelle, NY (US) 10801

(\*\*) **Term: 14 Years**

(21) **Appl. No.: 29/204,067**

(22) **Filed: Apr. 23, 2004**

(51) **LOC (8) Cl. .... 03-01**

(52) **U.S. Cl. .... D3/217; D3/216**

(58) **Field of Search .... D3/216, 217, 242; 224/153, 155, 578, 582, 579, 636; 2/647; D12/416**

(56) **References Cited**

**U.S. PATENT DOCUMENTS**

4,085,873	A	*	4/1978	Schweitzer	.....	294/142
D249,594	S	*	9/1978	Stewart	.....	D3/217
4,669,587	A	*	6/1987	Zitt	.....	190/109
D312,726	S	*	12/1990	Kline	.....	D3/224
D315,825	S	*	4/1991	Hutton et al.	.....	D3/217
D336,409	S	*	6/1993	Kahl	.....	7/626
5,257,509	A	*	11/1993	Harris	.....	62/326
5,407,112	A	*	4/1995	Christodoulou et al.	....	224/153

D376,686	S	*	12/1996	Daboudet	.....	D3/217
D403,854	S	*	1/1999	Marcusson	.....	D3/217
D404,563	S	*	1/1999	Rausch	.....	D3/216
D411,419	S	*	6/1999	Wyant	.....	D7/709
D425,698	S	*	5/2000	Paul et al.	.....	D3/217
6,138,881	A	*	10/2000	Paul et al.	.....	224/153
D441,186	S	*	5/2001	Daboudet	.....	D3/216
D446,008	S	*	8/2001	Schulze	.....	D3/216

\* cited by examiner

*Primary Examiner*—Celia A. Murphy

(74) *Attorney, Agent, or Firm*—Goldstein Law Offices, P.C.

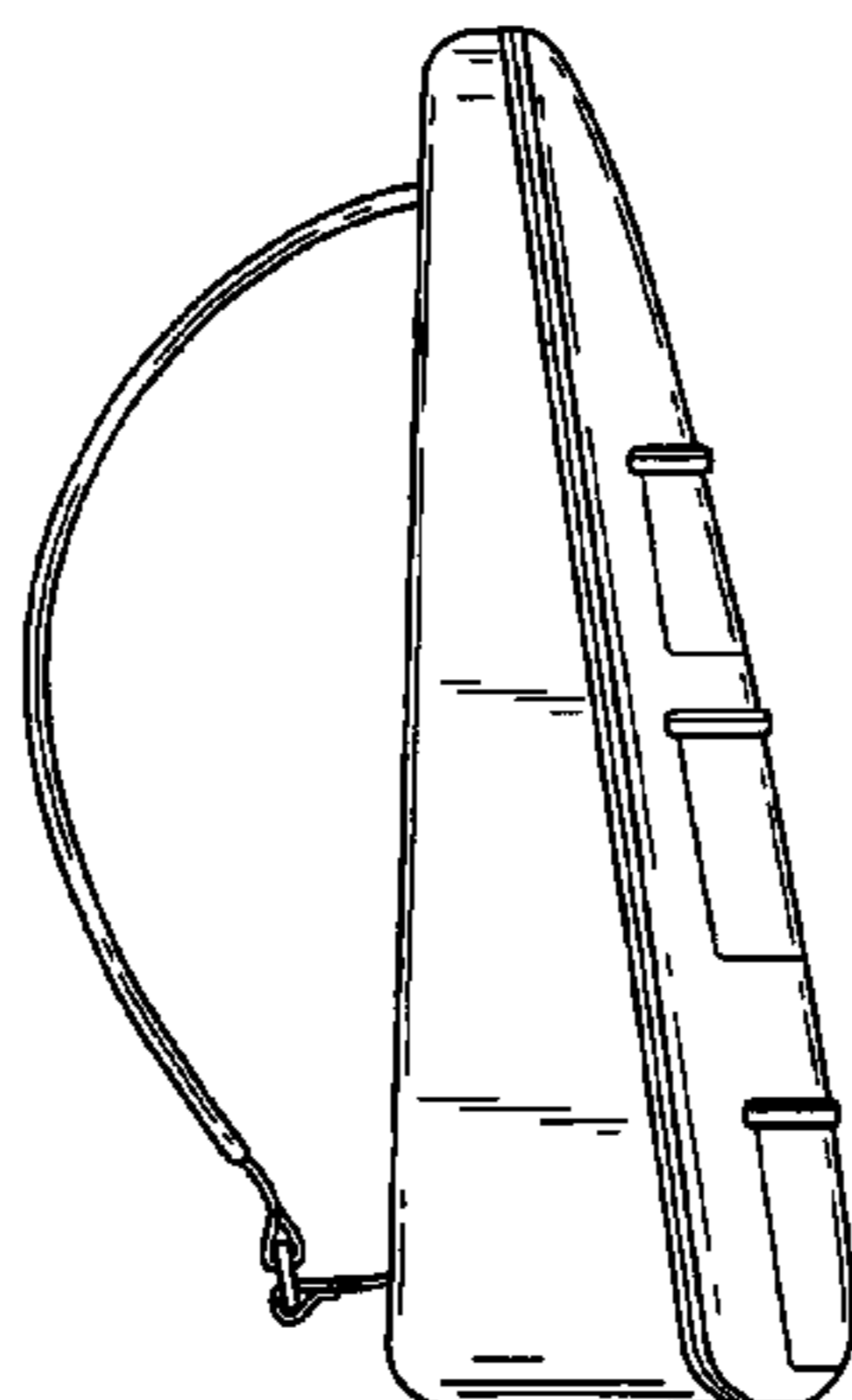
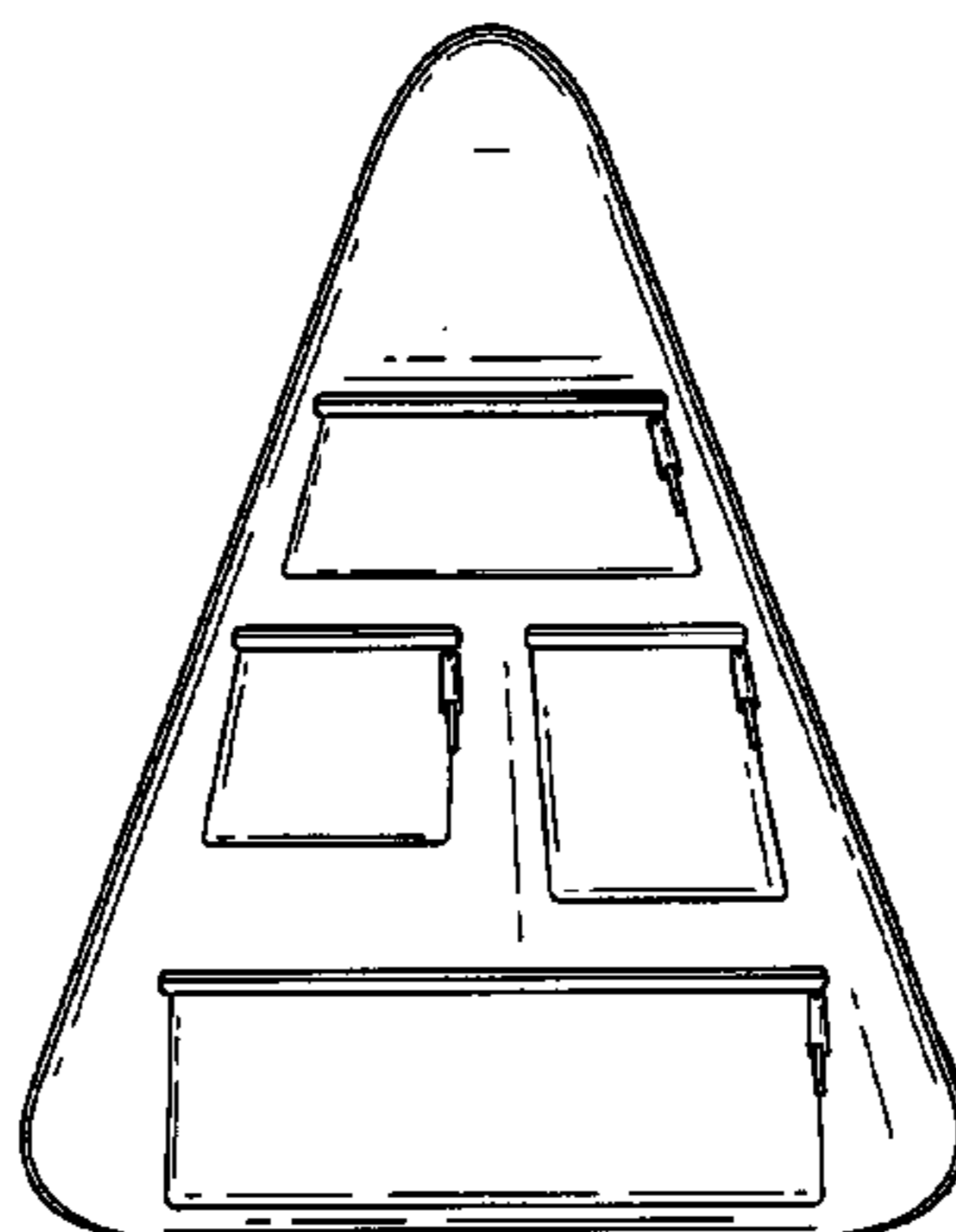
(57) **CLAIM**

The ornamental design for a combination lunch bag and book bag, as shown and described.

**DESCRIPTION**

FIG. 1 is a perspective view of a combination lunch bag and book bag showing my new design; FIG. 2 is a front elevational view thereof; FIG. 3 is a rear elevational view thereof; FIG. 4 is a left side elevational view thereof; FIG. 5 is a right side elevational view thereof; FIG. 6 is a top plan view thereof; and, FIG. 7 is a bottom plan view thereof.

**1 Claim, 4 Drawing Sheets**



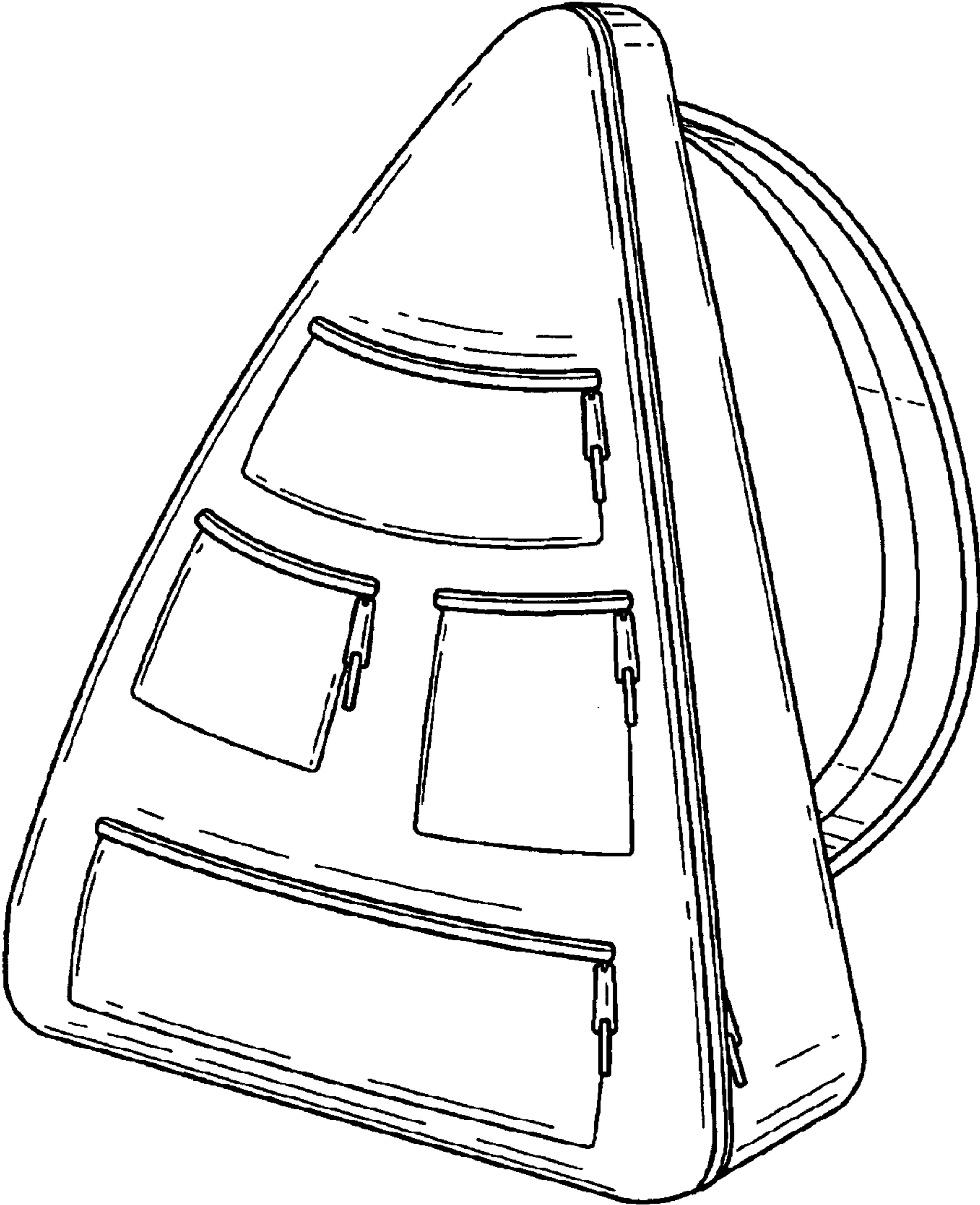


FIG. 1

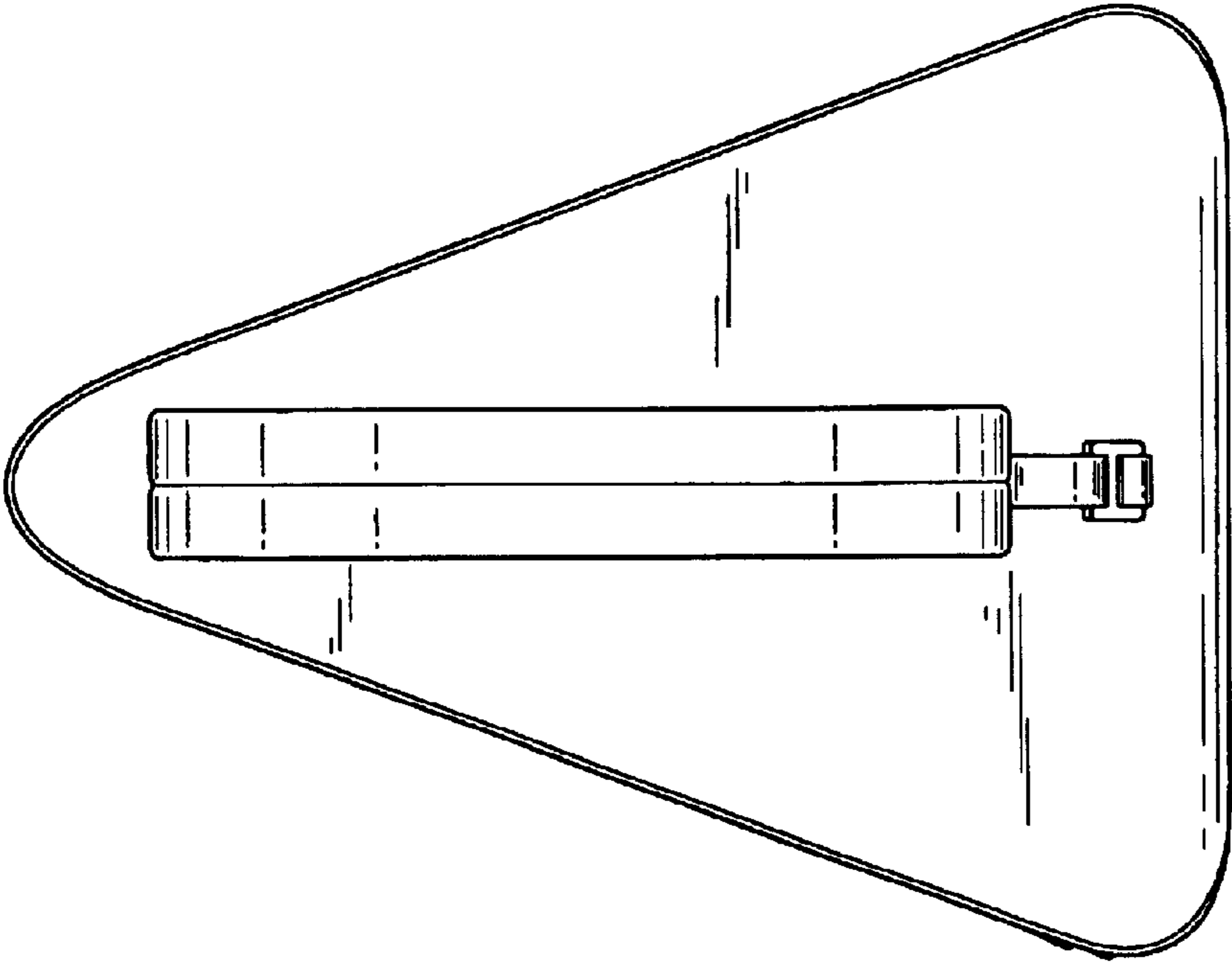


FIG. 3

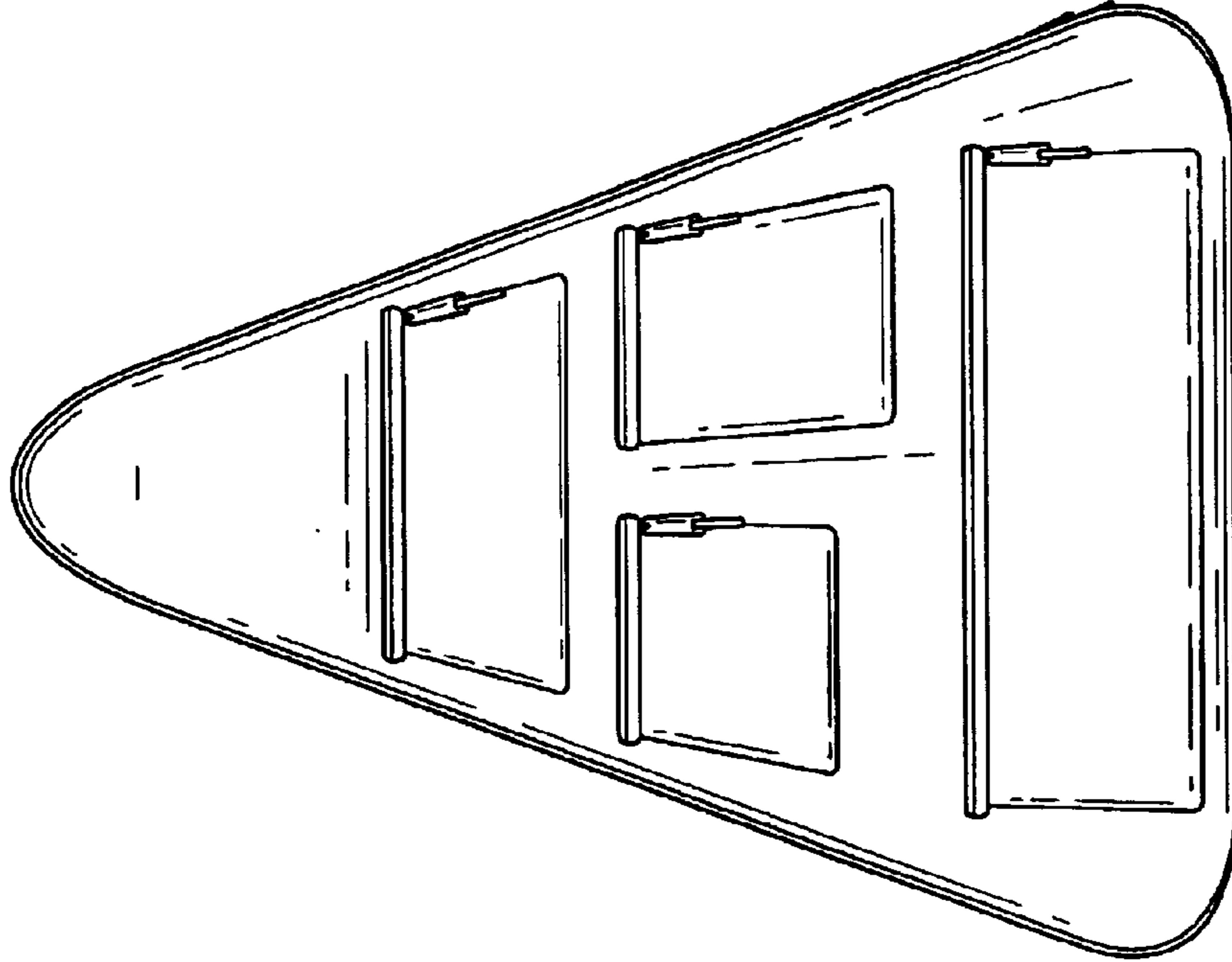


FIG. 2

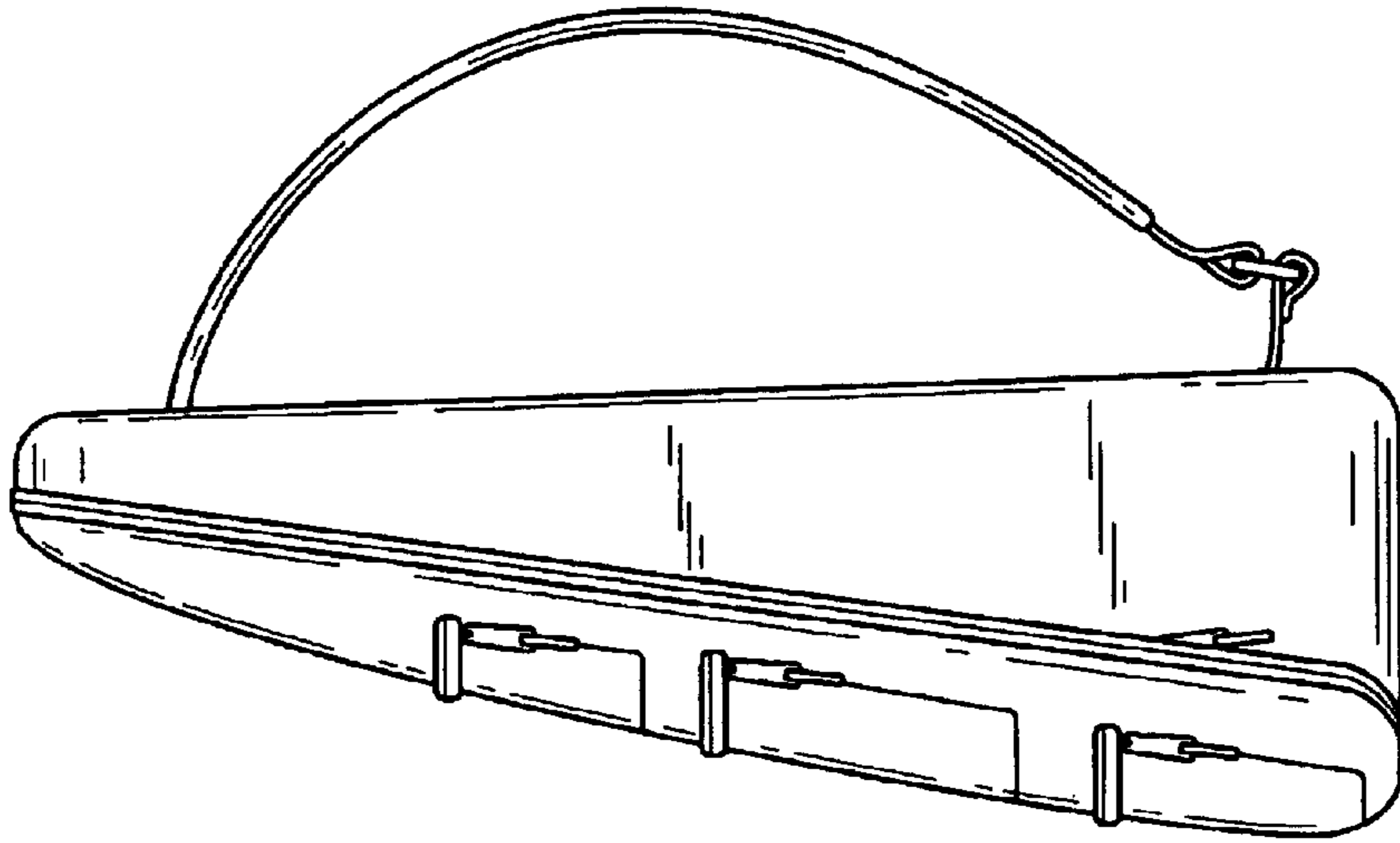


FIG. 5

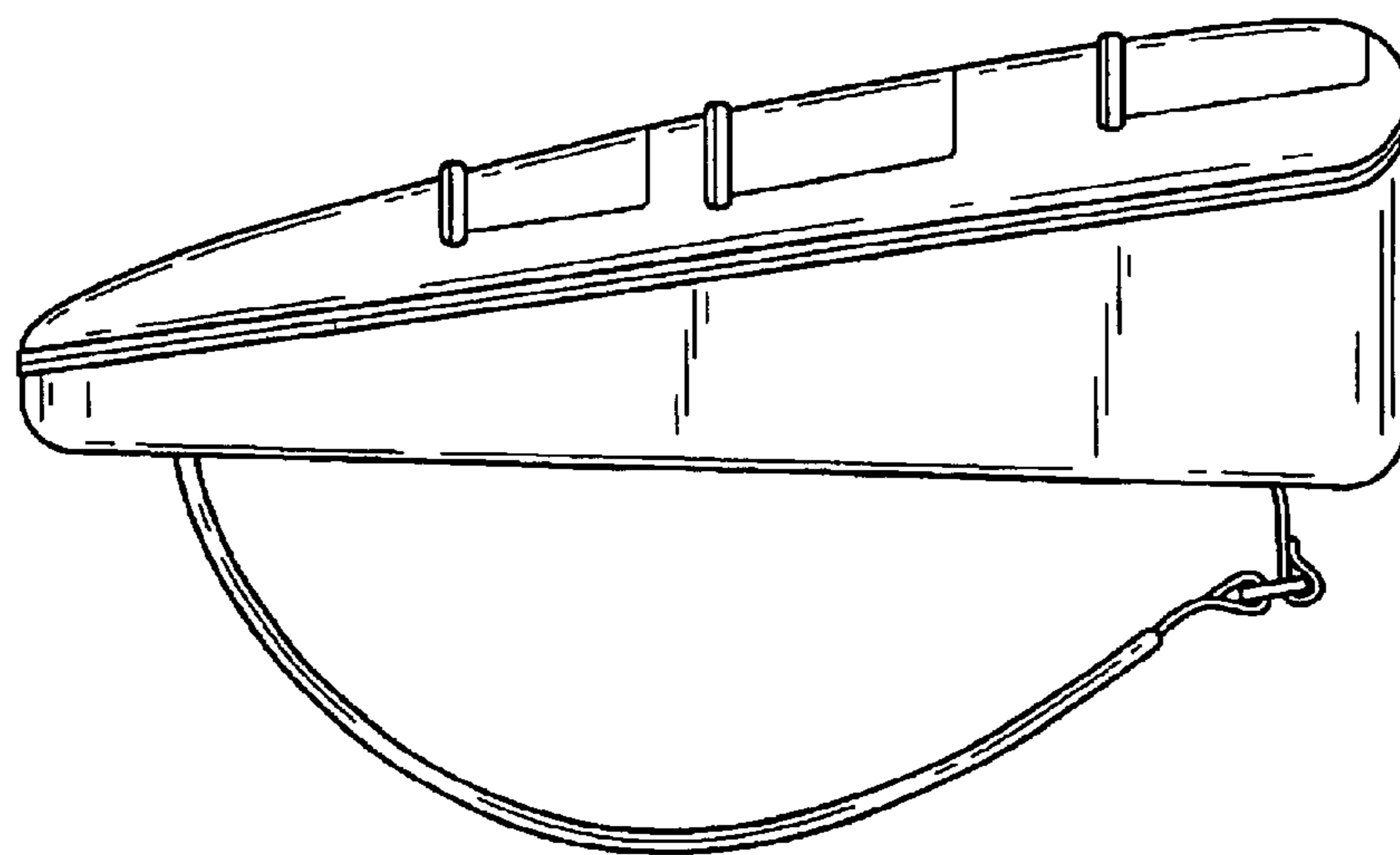


FIG. 4

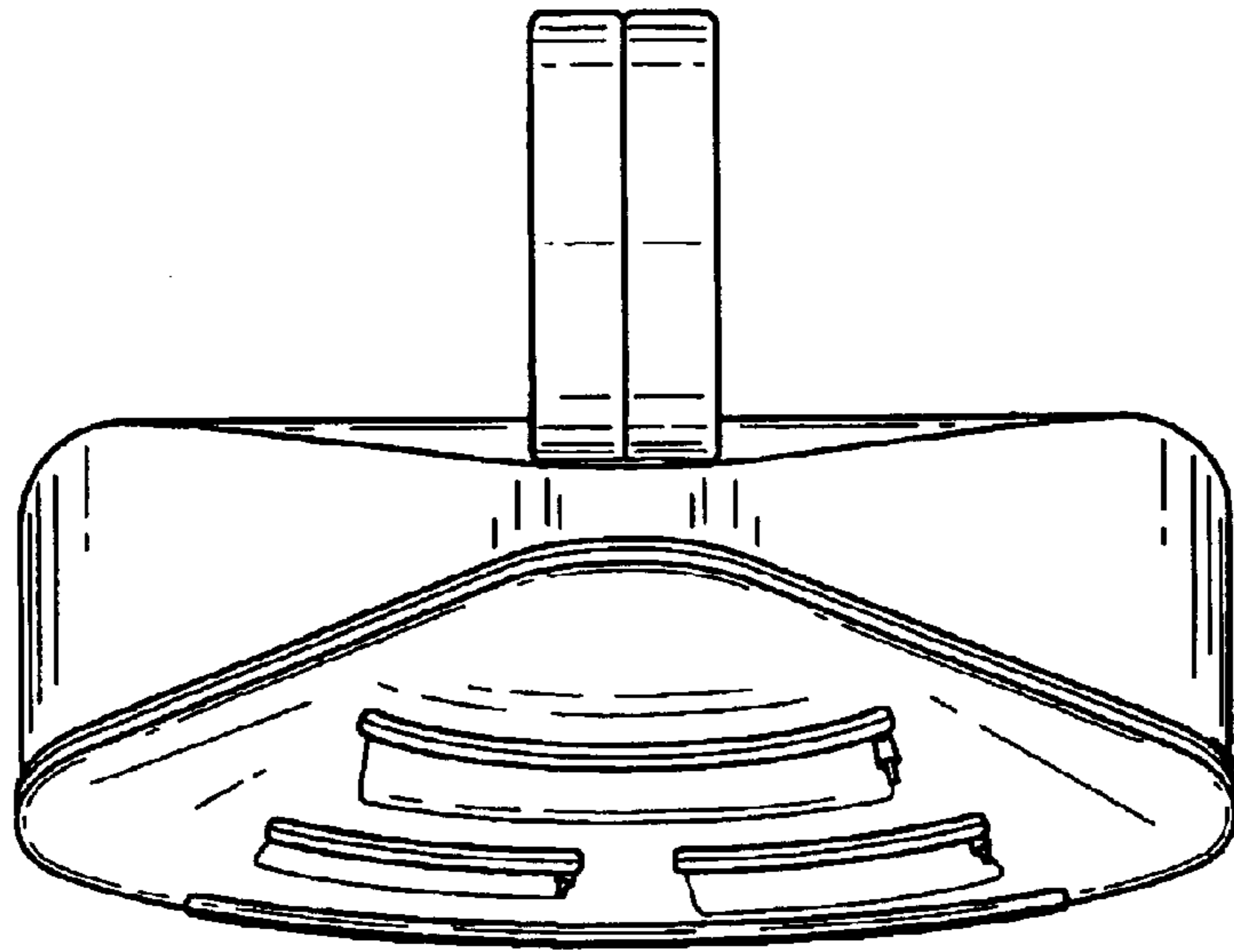


FIG. 6

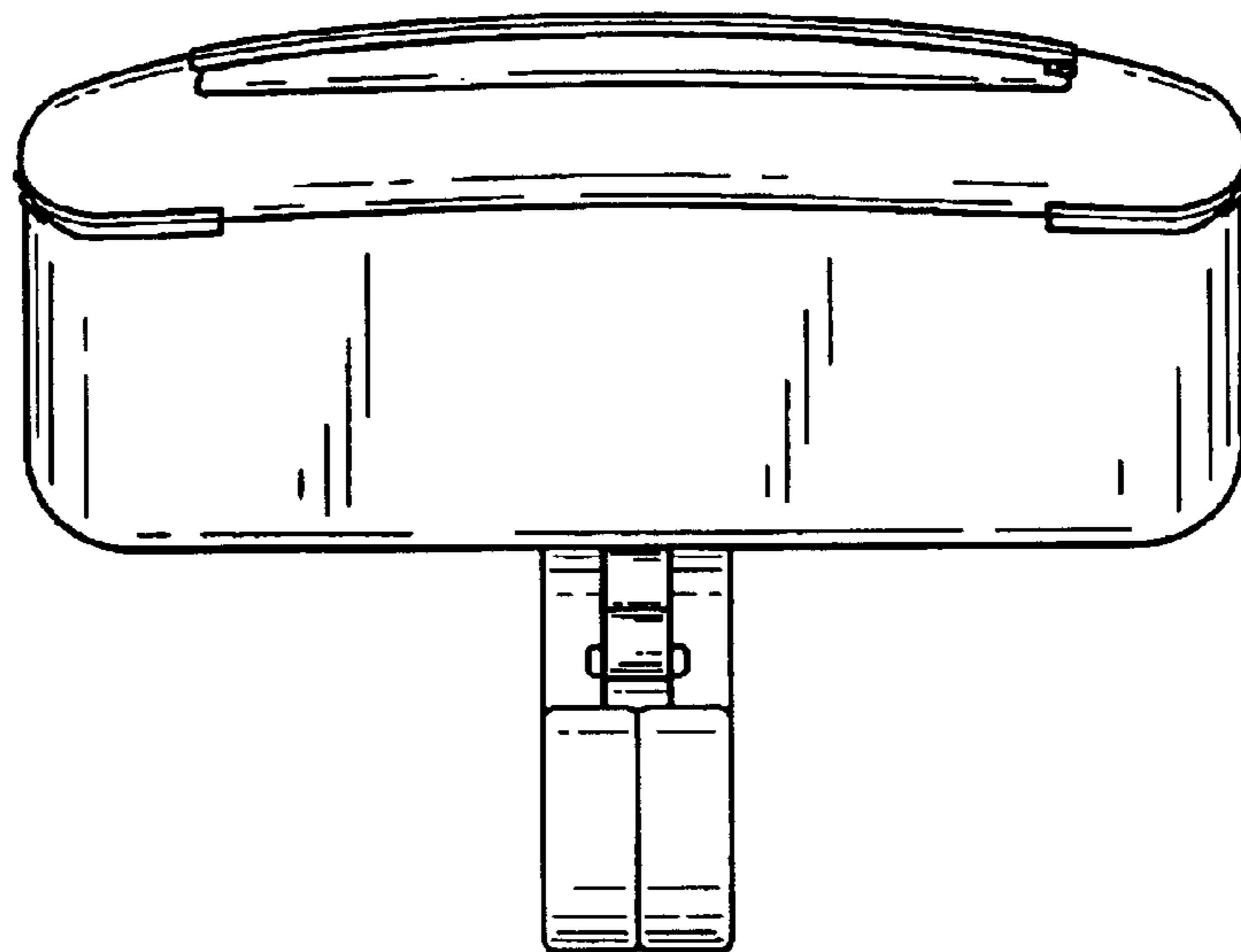


FIG. 7