

US00D507697S

(12) **United States Design Patent**
Seong

(10) **Patent No.:** **US D507,697 S**
(45) **Date of Patent:** **** Jul. 26, 2005**

(54) **BACK SUPPORT FOR A RUCKSACK**

(75) **Inventor:** **Song Eun Seong, Seoul (KR)**

(73) **Assignee:** **Korea Industrial Fastener Corporation (KR)**

(**) **Term:** **14 Years**

(21) **Appl. No.:** **29/190,666**

(22) **Filed:** **Sep. 24, 2003**

(51) **LOC (8) Cl.** **03-01**

(52) **U.S. Cl.** **D3/216**

(58) **Field of Search** D3/216, 217, 242;
224/153, 155, 578, 582, 579, 636; 2/647;
D12/416

5,553,759 A	*	9/1996	McMaster et al.	224/631
5,564,612 A	*	10/1996	Gregory	224/633
5,762,243 A	*	6/1998	McMaster et al.	224/262
5,957,356 A	*	9/1999	Potempa	224/643
D426,700 S	*	6/2000	Gregory	D3/216
D467,060 S	*	12/2002	Randesi et al.	D2/954
2002/0158097 A1	*	10/2002	Beale	224/631

* cited by examiner

Primary Examiner—Celia A. Murphy

(74) *Attorney, Agent, or Firm*—Madson & Metcalf

(57) **CLAIM**

The ornamental design for a back support for a rucksack, as shown.

DESCRIPTION

FIG. 1 is a front view of the back support for a rucksack showing my new design.

FIG. 2 is a rear view thereof.

FIG. 3 is a left side view thereof.

FIG. 4 is a right side view thereof.

FIG. 5 is a top view thereof.

FIG. 6 is a bottom view thereof.

FIG. 7 is a perspective view thereof; and,

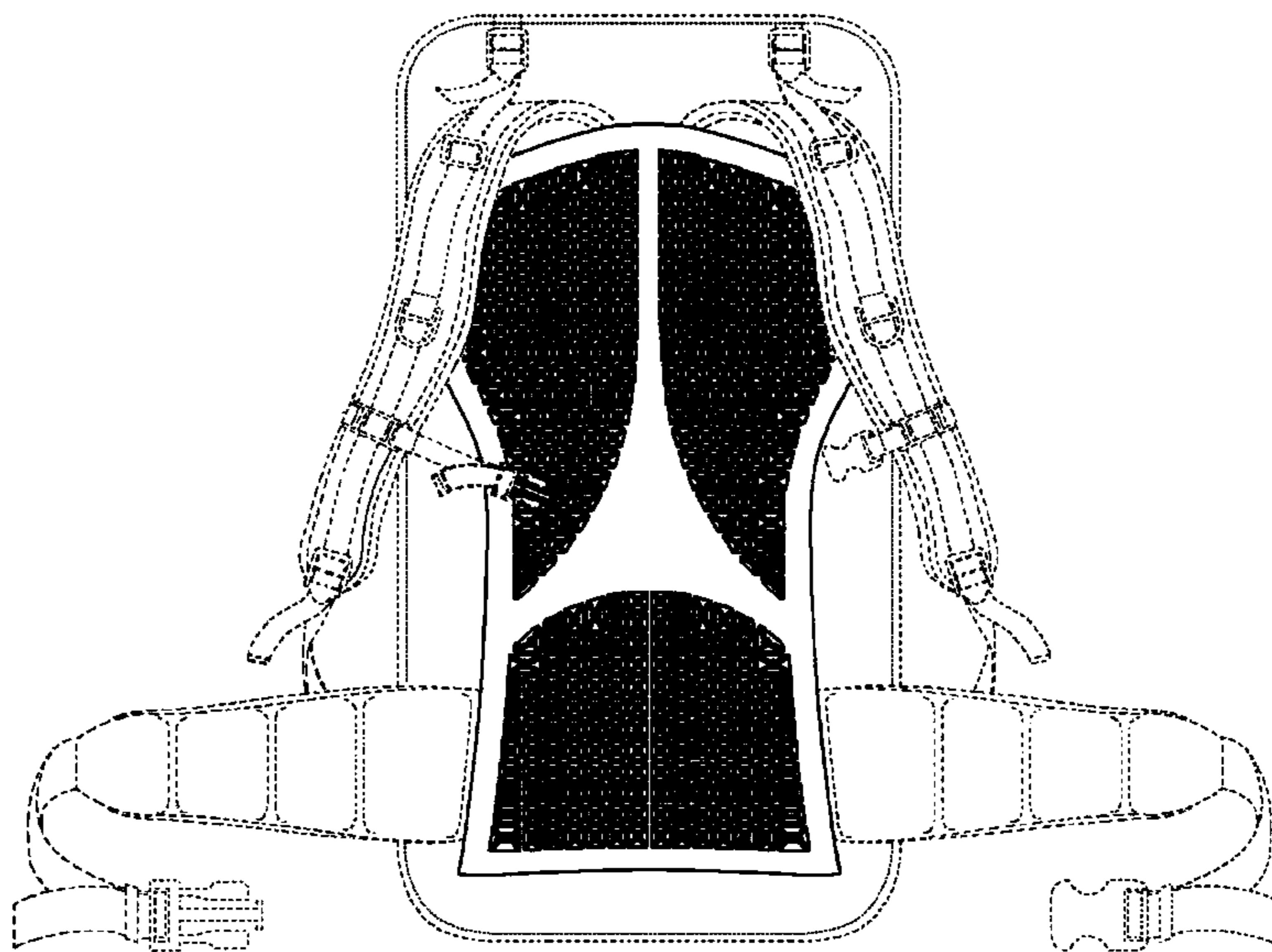
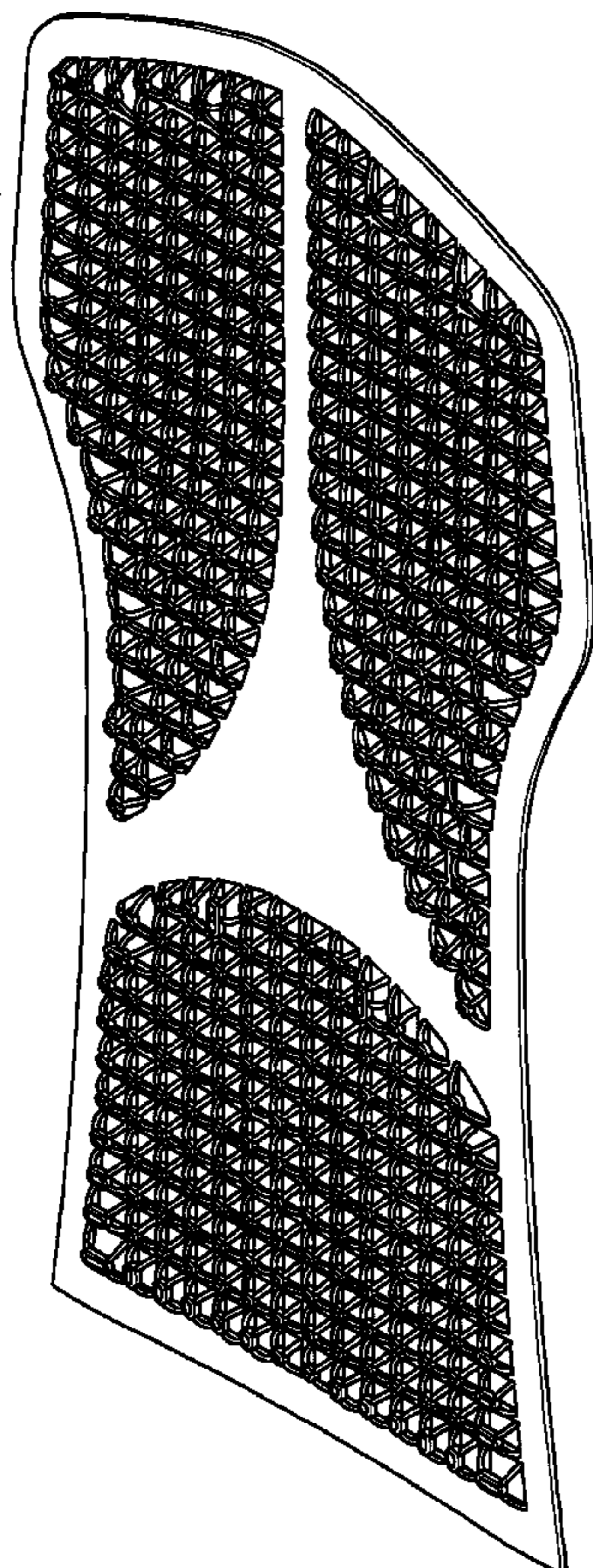
FIG. 8 is a front view of the back support for a rucksack 10 as it may be installed and used with a rucksack.

(56) **References Cited**

U.S. PATENT DOCUMENTS

82,647 A	*	9/1868	Shepard	224/631
D224,631 S	*	8/1972	Morris	
3,938,718 A	*	2/1976	Madison	224/631
D284,616 S	*	7/1986	Gamm	D2/954
4,842,173 A	*	6/1989	Scherer	224/631
4,934,573 A	*	6/1990	Jaeger	224/628
D311,094 S	*	10/1990	Scherer	D3/216
5,320,262 A	*	6/1994	Levis	224/630
D352,822 S	*	11/1994	Levis	D3/216

1 Claim, 7 Drawing Sheets



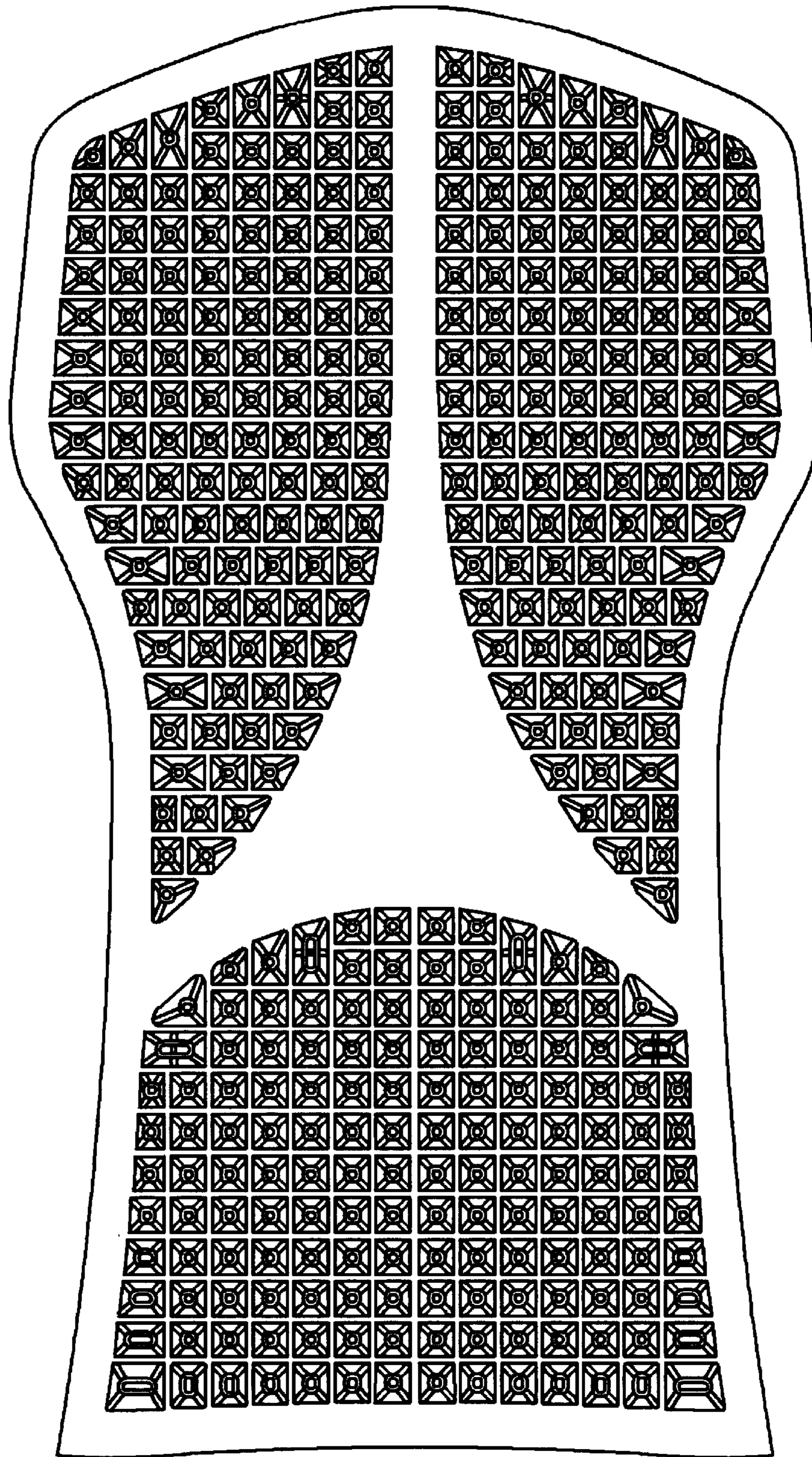


Fig. 1

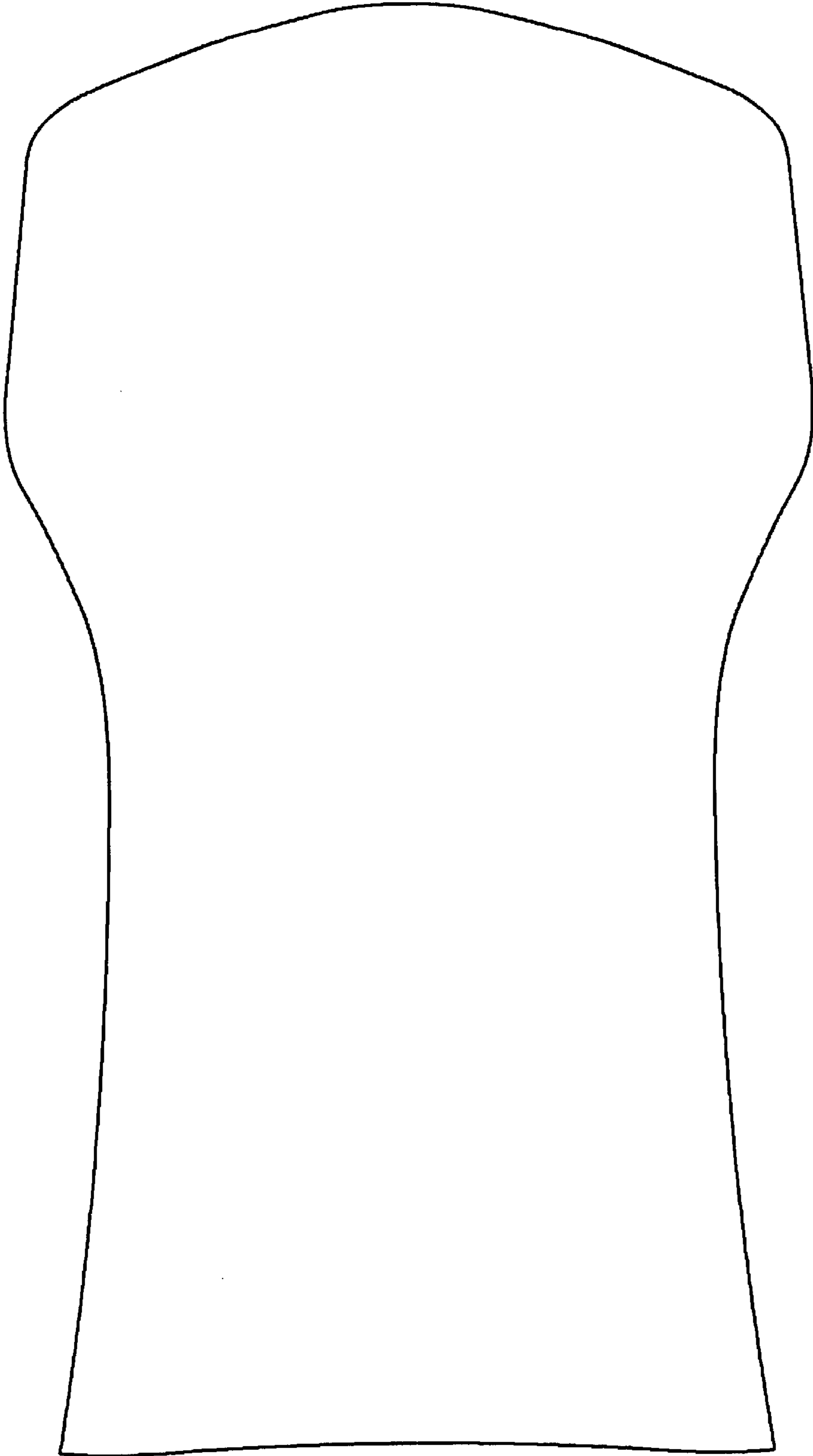


Fig. 2



Fig. 3



Fig. 4



Fig. 5



Fig. 6

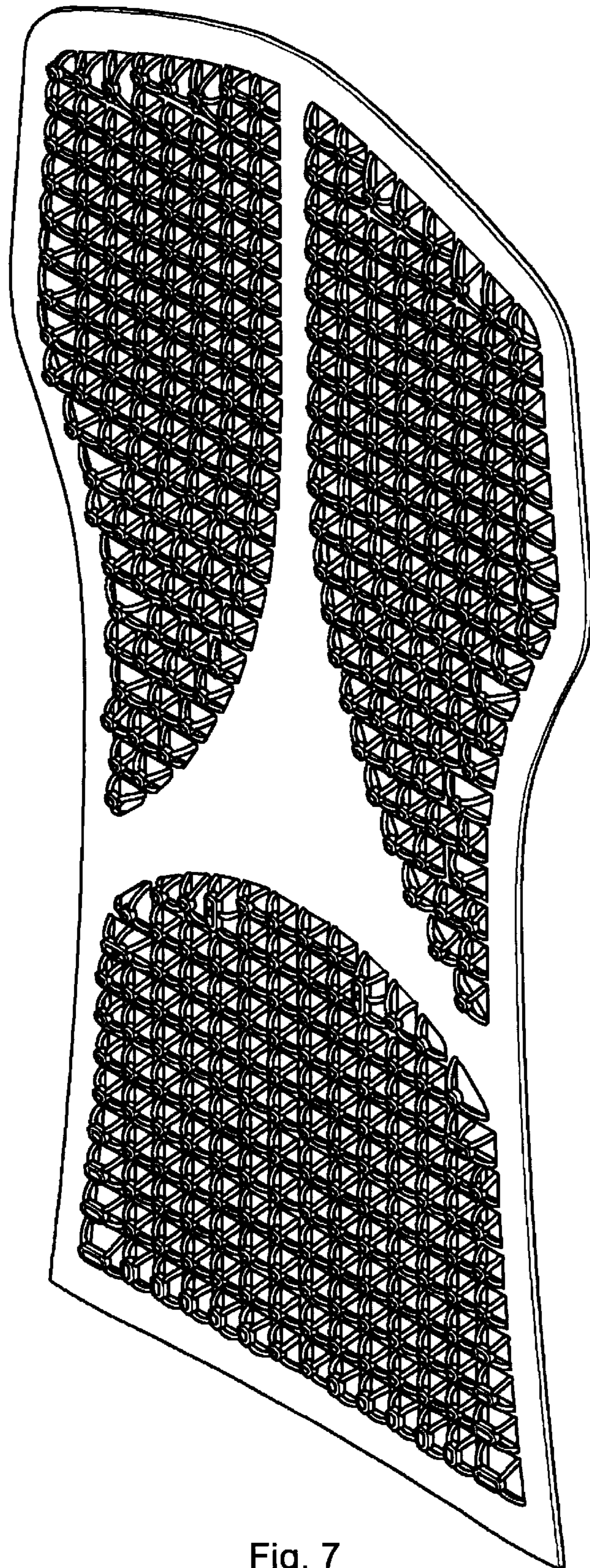


Fig. 7

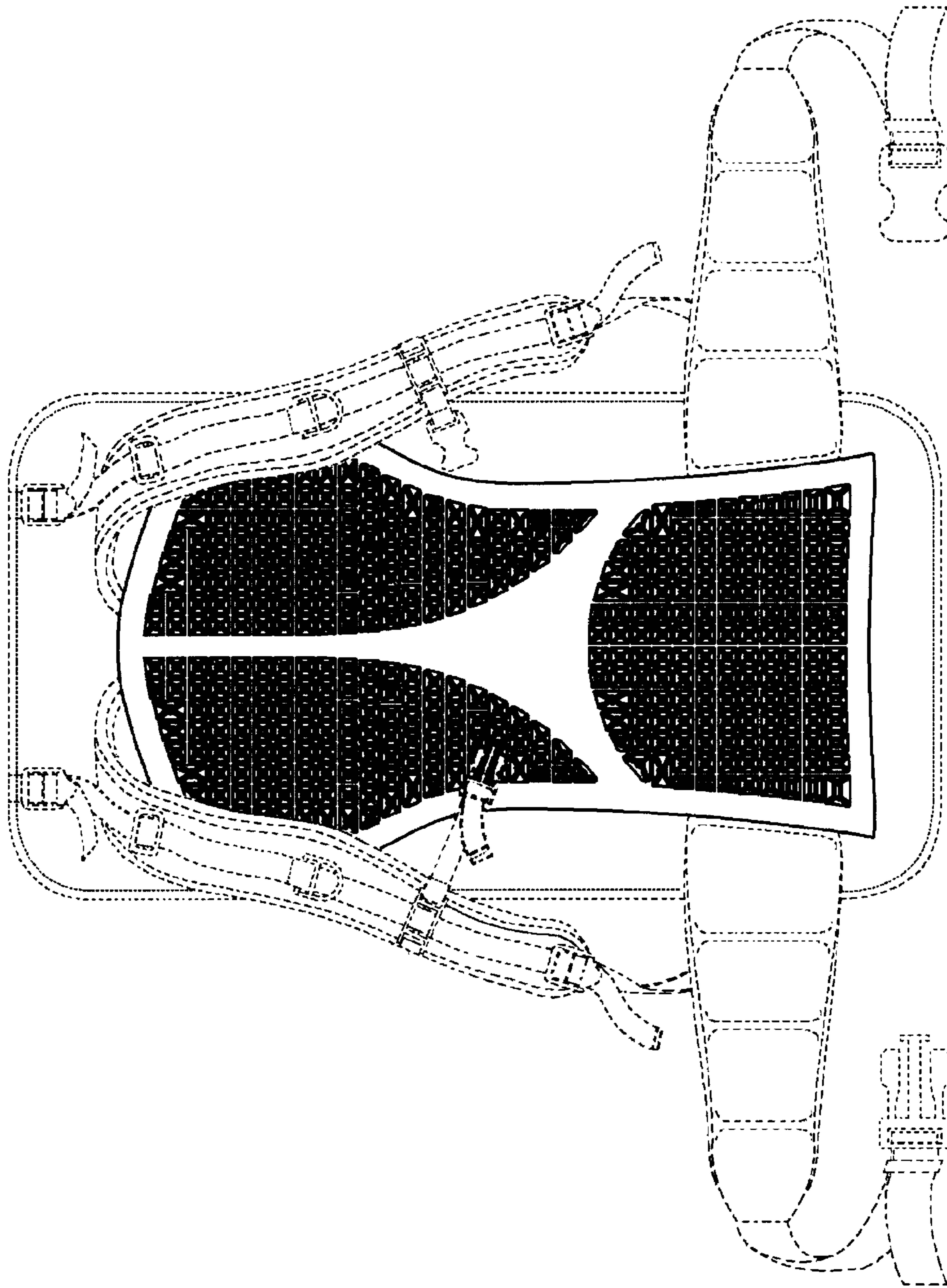


Fig. 8