

US00D507688S

(12) **United States Design Patent**
Jean

(10) **Patent No.:** **US D507,688 S**

(45) **Date of Patent:** **** Jul. 19, 2005**

(54) **TRASH CAN TOW BAR**

(76) **Inventor:** **Troy H. Jean**, 6625 Crittenden Rd.,
Suffolk, VA (US) 23432

(**) **Term:** **14 Years**

(21) **Appl. No.:** **29/165,608**

(22) **Filed:** **Aug. 14, 2002**

(51) **LOC (8) Cl.** **09-09**

(52) **U.S. Cl.** **D34/10; D8/14; D34/28**

(58) **Field of Search** **D34/10, 28; D8/10,**
D8/14, 107; 16/110.1, 429; 294/193, 26,
82.1

(56) **References Cited**

U.S. PATENT DOCUMENTS

- 4,574,512 A * 3/1986 Hahn 43/5
- D353,981 S * 1/1995 Harbaugh et al. D34/28
- D354,662 S * 1/1995 Brezany D34/28
- D385,076 S * 10/1997 Milbury D34/10

- D395,808 S * 7/1998 Loucks D8/14
- D416,772 S * 11/1999 Milbury D8/14
- D459,959 S * 7/2002 Fetterman et al. D8/14
- D475,258 S * 6/2003 Wilson D8/14

* cited by examiner

Primary Examiner—Cynthia E. Ramirez

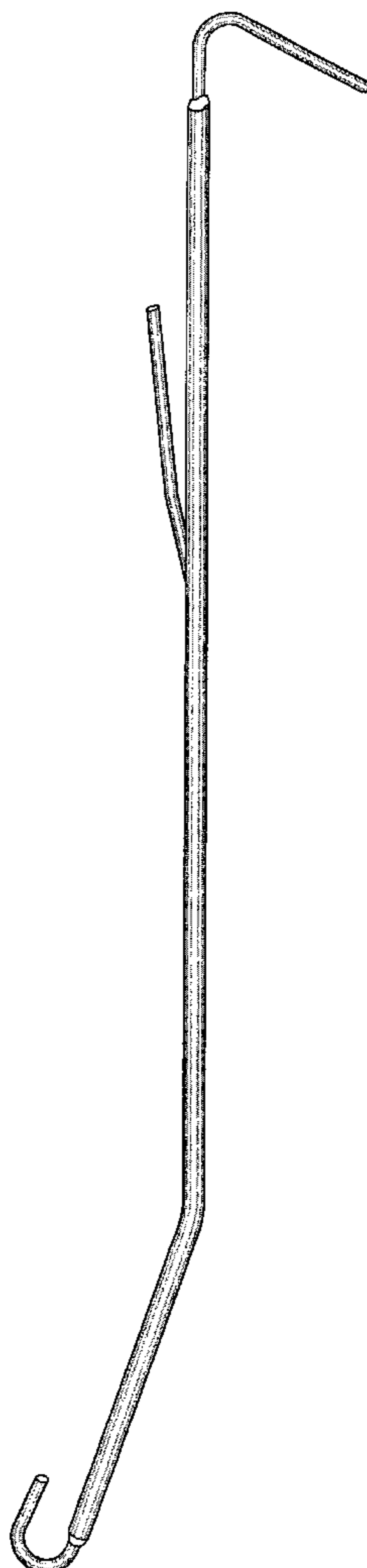
(57) **CLAIM**

The ornamental design for a trash can tow bar, as shown.

DESCRIPTION

FIG. 1 is an isometric view of a trash can tow bar showing my new design;
 FIG. 2 is a front view thereof;
 FIG. 3 is a back view thereof;
 FIG. 4 is a right side view thereof;
 FIG. 5 is a left side view thereof;
 FIG. 6 is a bottom view thereof; and,
 FIG. 7 is a top view thereof.

1 Claim, 6 Drawing Sheets



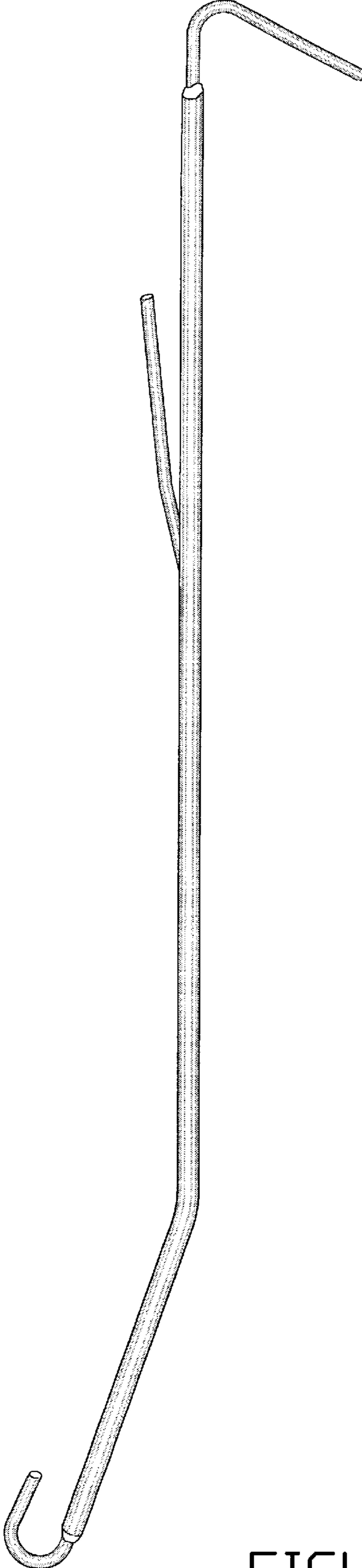


FIGURE 1

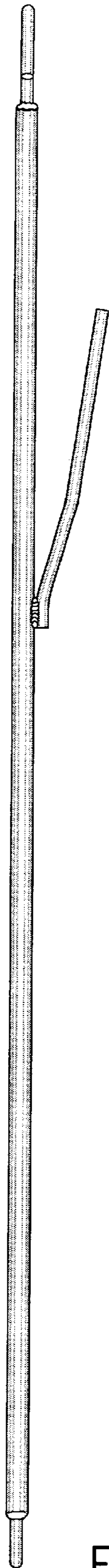


FIGURE 2

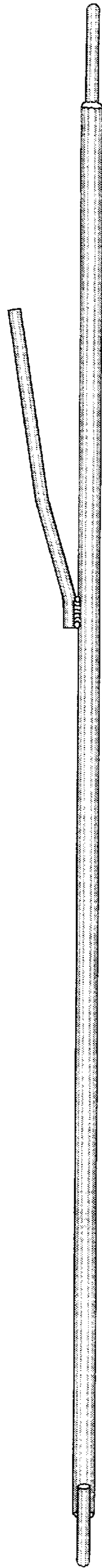


FIGURE 3

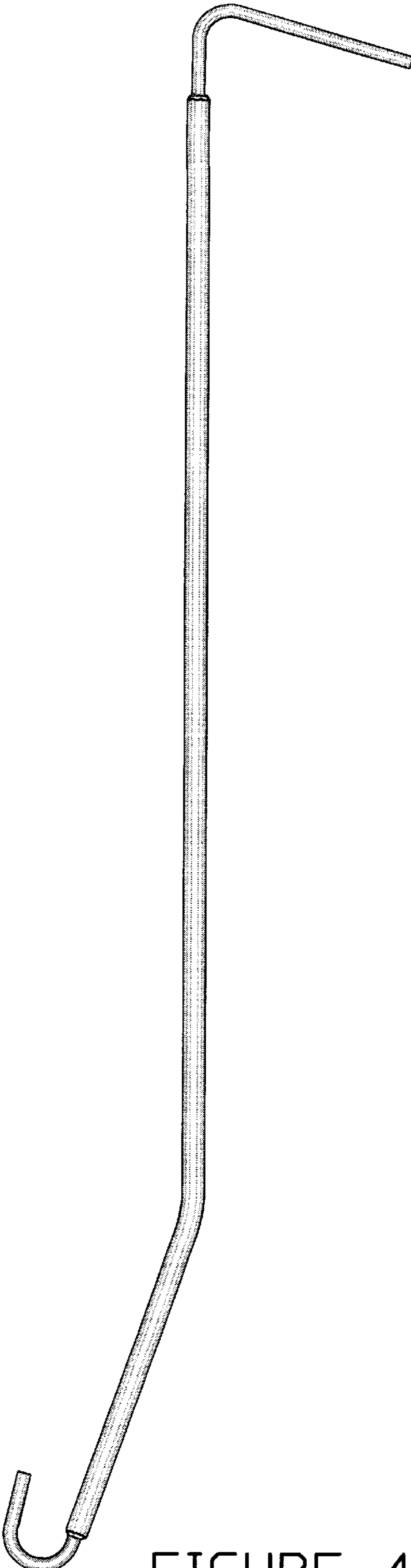


FIGURE 4

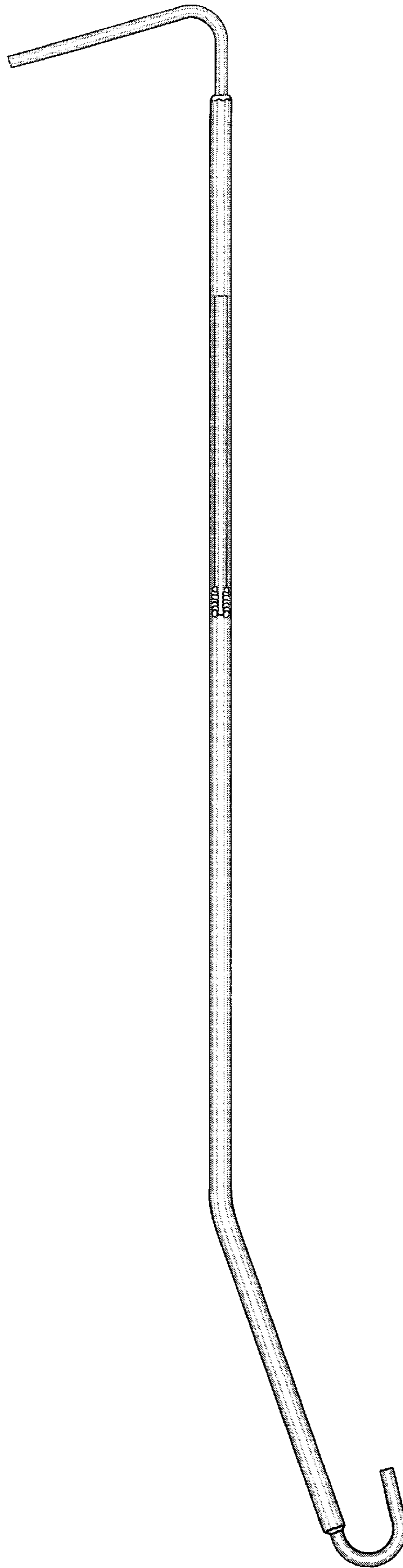


FIGURE 5

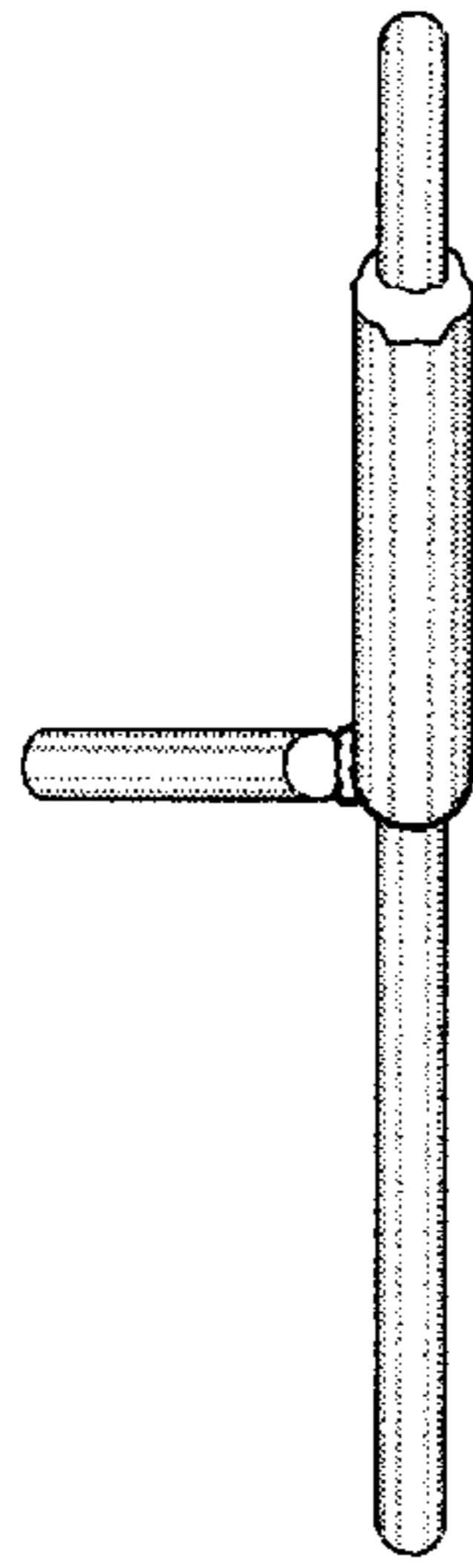


FIGURE 6

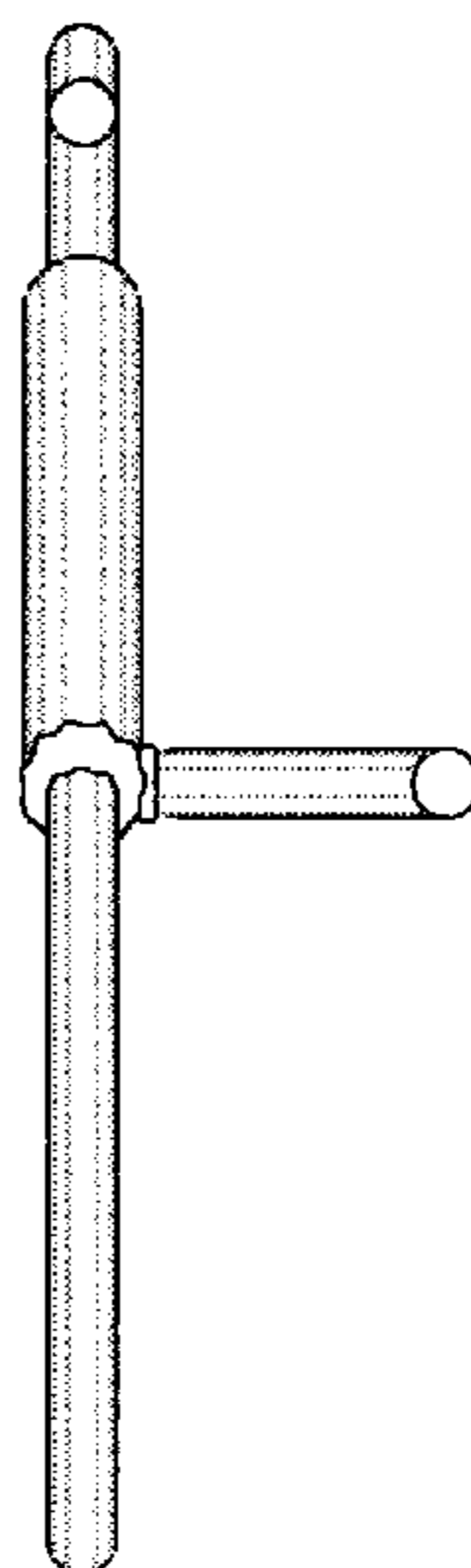


FIGURE 7