



US00D507686S

(12) **United States Design Patent**
Krieger et al.

(10) **Patent No.:** **US D507,686 S**
(45) **Date of Patent:** **** Jul. 19, 2005**

(54) **COMBINED WET/DRY VACUUM CLEANER**

(75) Inventors: **Michael Krieger**, Miami Beach, FL (US); **Kevin Ellsworth**, Hollywood, FL (US)

(73) Assignee: **Vector Products, Inc.**, Ft. Lauderdale, FL (US)

(**) Term: **14 Years**

(21) Appl. No.: **29/186,677**

(22) Filed: **Jul. 22, 2003**

(51) **LOC (8) Cl.** **15-05**

(52) **U.S. Cl.** **D32/23**

(58) **Field of Search** D32/21-22, 31-33;
15/350, 352-355, 321-322, 346-347, 412,
400, 327.1-327.7, 410, 414, 373, 381, 383,
415.1-422.1, 366; D23/213, 223, 225

(56) **References Cited**

U.S. PATENT DOCUMENTS

D325,453 S	*	4/1992	Tsuge	D32/21
D383,573 S	*	9/1997	Saunders	D32/21
D386,842 S	*	11/1997	Hoshino et al.	D32/21
D418,643 S	*	1/2000	Hoshino	D32/21
6,206,955 B1	*	3/2001	Pietrobon	96/310
D449,138 S	*	10/2001	Dodson et al.	D32/31
D467,693 S	*	12/2002	Kitts	D32/21
D467,694 S	*	12/2002	Kitts	D32/21

* cited by examiner

Primary Examiner—Ruth McInroy

(74) *Attorney, Agent, or Firm*—Venable LLP; Robert Kinberg

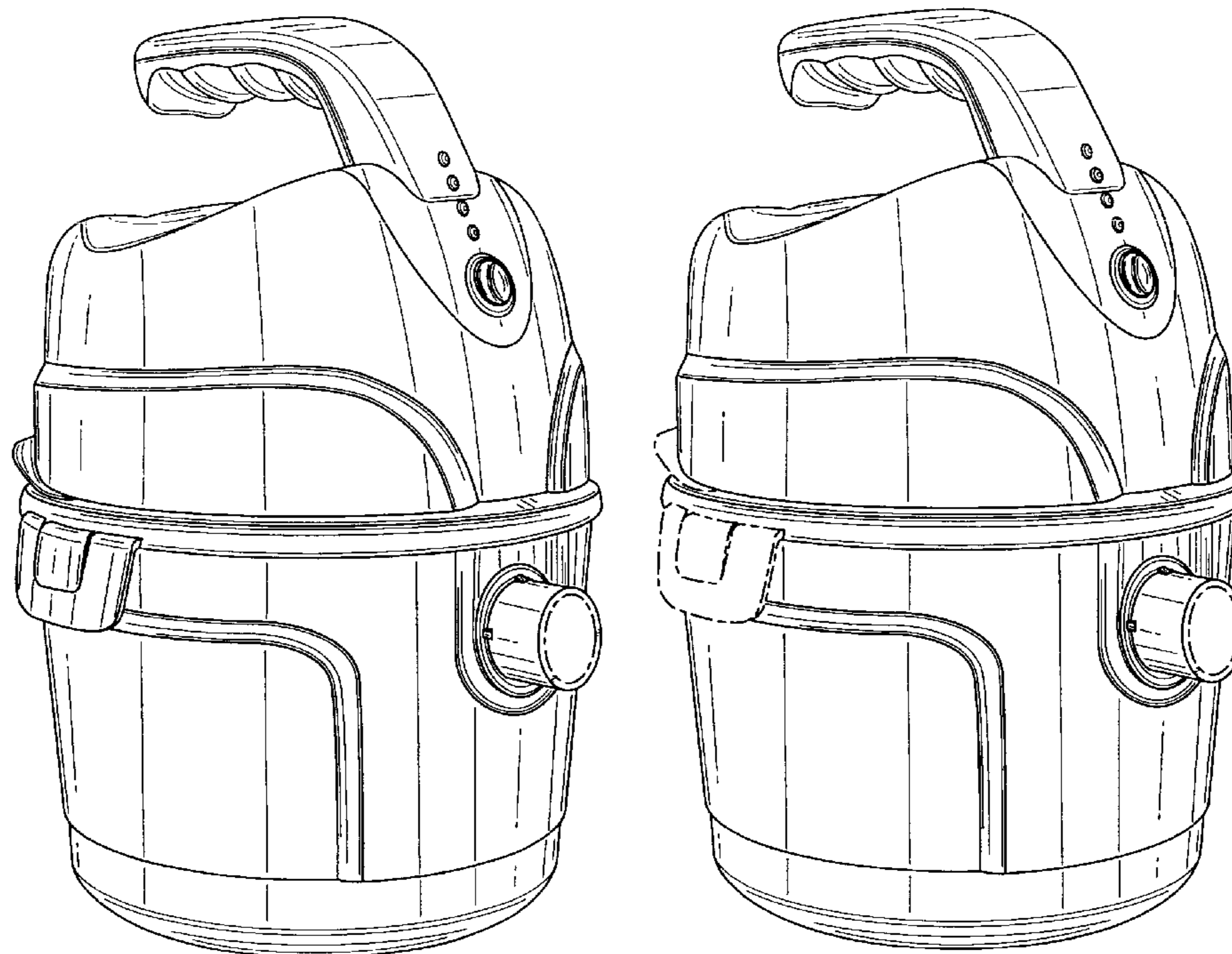
(57) **CLAIM**

We claim the ornamental design for a combined wet/dry vacuum cleaner, as shown and described.

DESCRIPTION

FIG. 1 is a perspective view from the front-top-left side of the combined wet/dry vacuum cleaner showing a first embodiment of our new design;
 FIG. 2 is a front view of the design shown in FIG. 1;
 FIG. 3 is a rear view of the design shown in FIG. 1;
 FIG. 4 is a left side view of the design shown in FIG. 1 with an attached battery shown in broken lines;
 FIG. 5 is a right side view of the design shown in FIG. 1;
 FIG. 6 is a top view of the design shown in FIG. 1;
 FIG. 7 is a bottom view of the design shown in FIG. 1;
 FIG. 8 is a perspective view from the front-top-left side of the combined wet/dry vacuum cleaner showing a second embodiment of our new design;
 FIG. 9 is a front view of the design shown in FIG. 8;
 FIG. 10 is a rear view of the design shown in FIG. 8;
 FIG. 11 is a left side view of the design shown in FIG. 8 with an attached battery shown in broken lines;
 FIG. 12 is a right side view of the design shown in FIG. 8;
 FIG. 13 is a top view of the design shown in FIG. 8; and,
 FIG. 14 is a bottom view of the design shown in FIG. 8.
 The broken lines immediately adjacent the shaded areas represent the bounds of the claimed design while all other broken lines are for illustrative purposes only; the broken lines form no part of the claimed design.

1 Claim, 14 Drawing Sheets



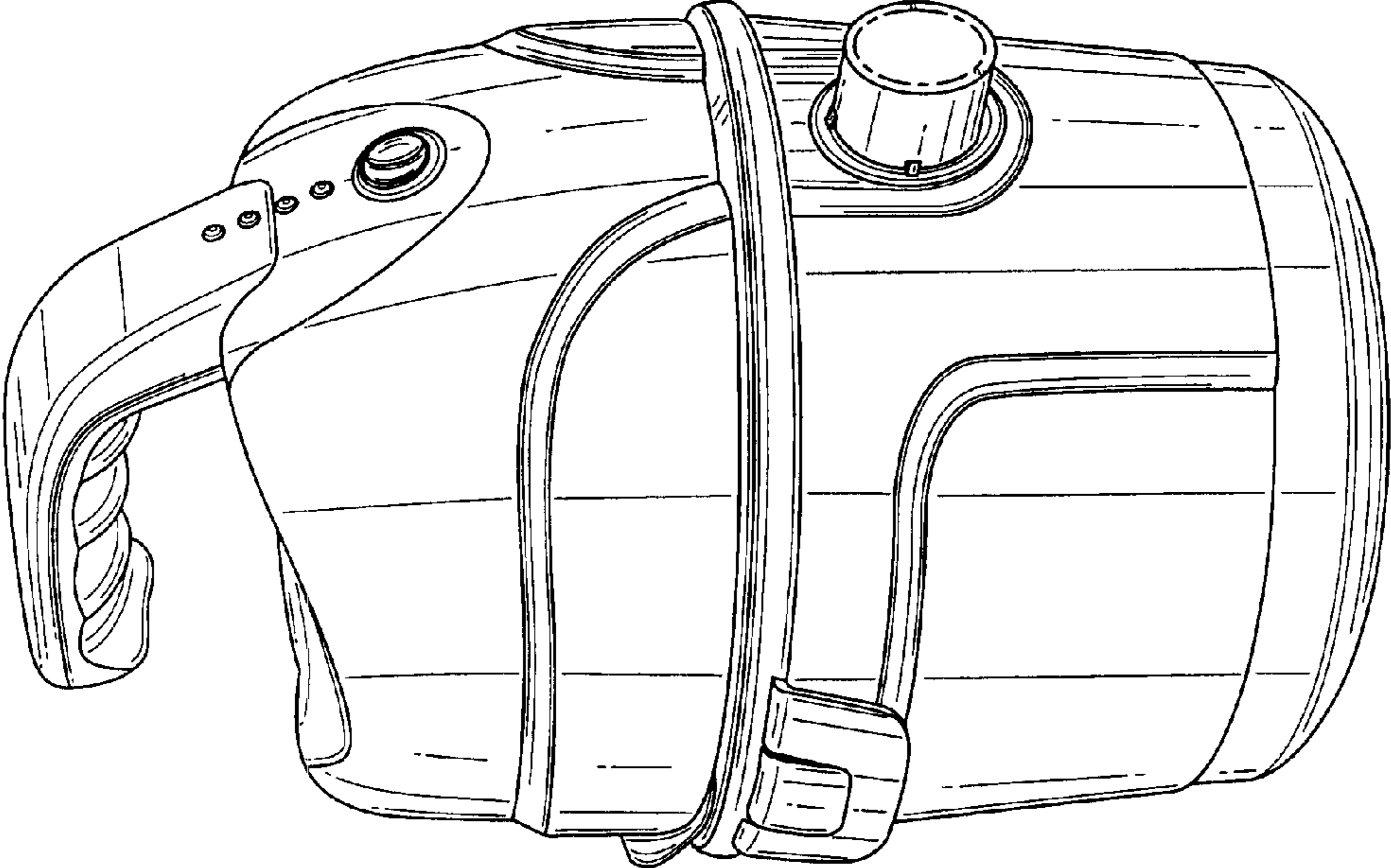


FIG. 1

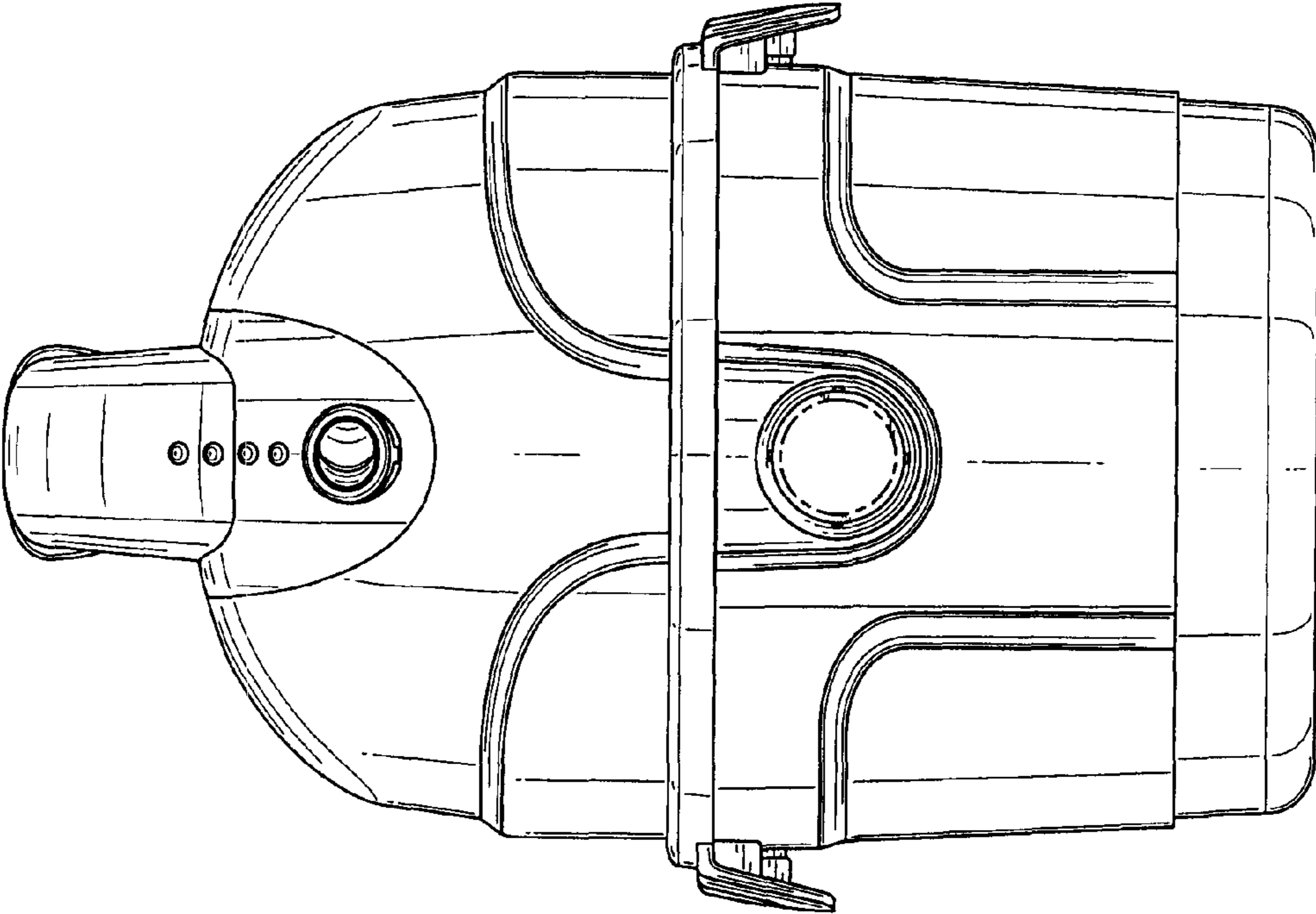


FIG. 2

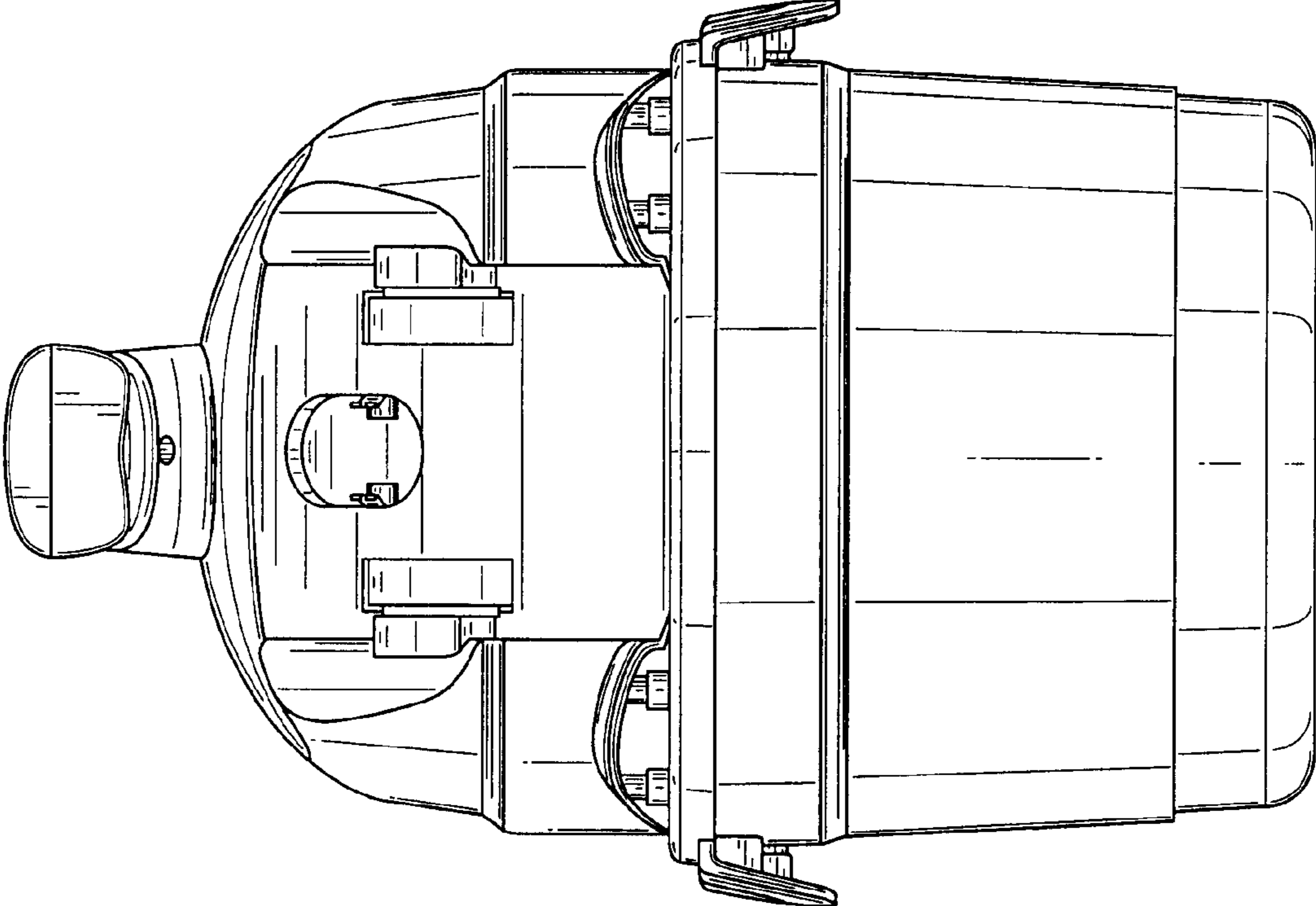


FIG. 3

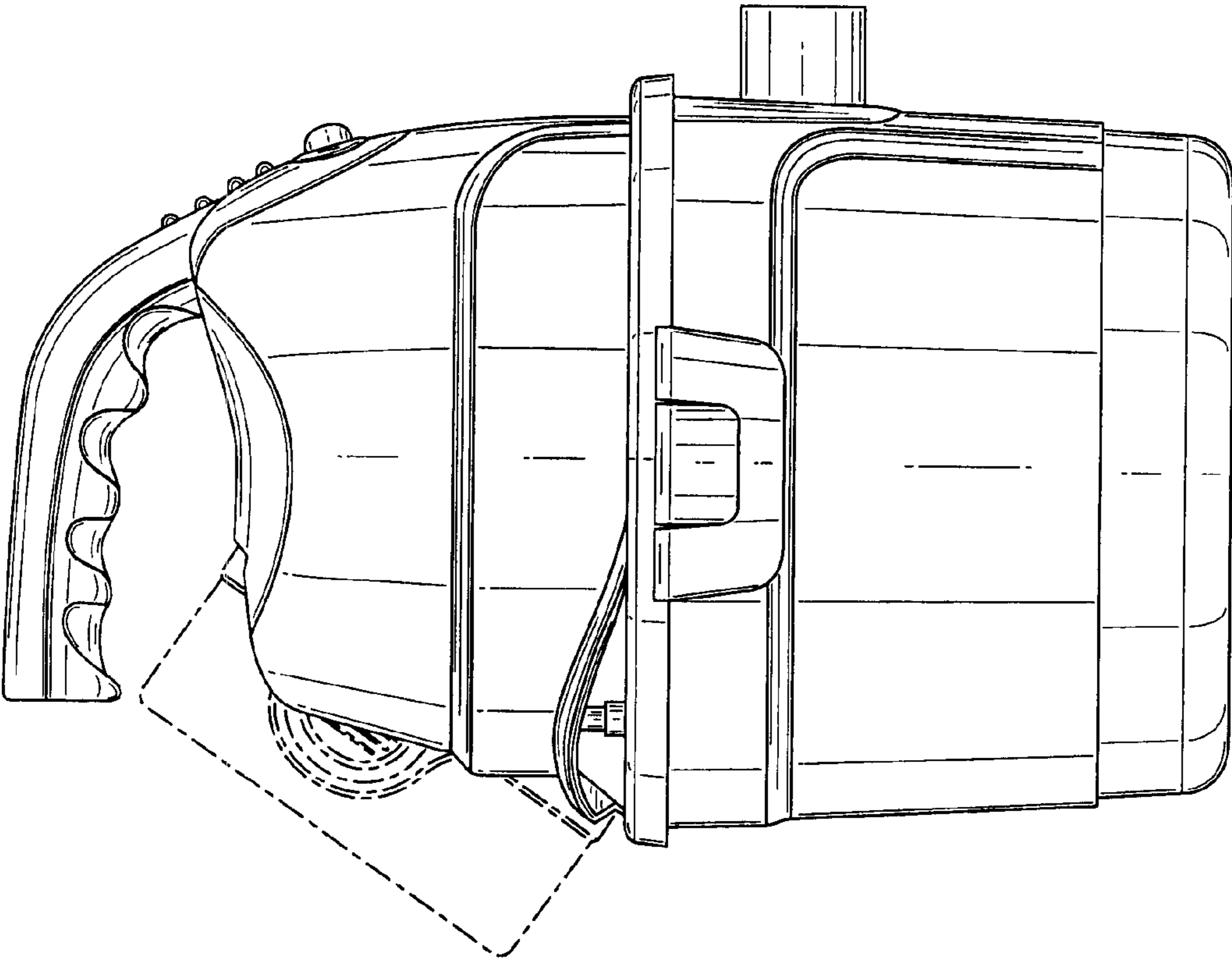


FIG. 4

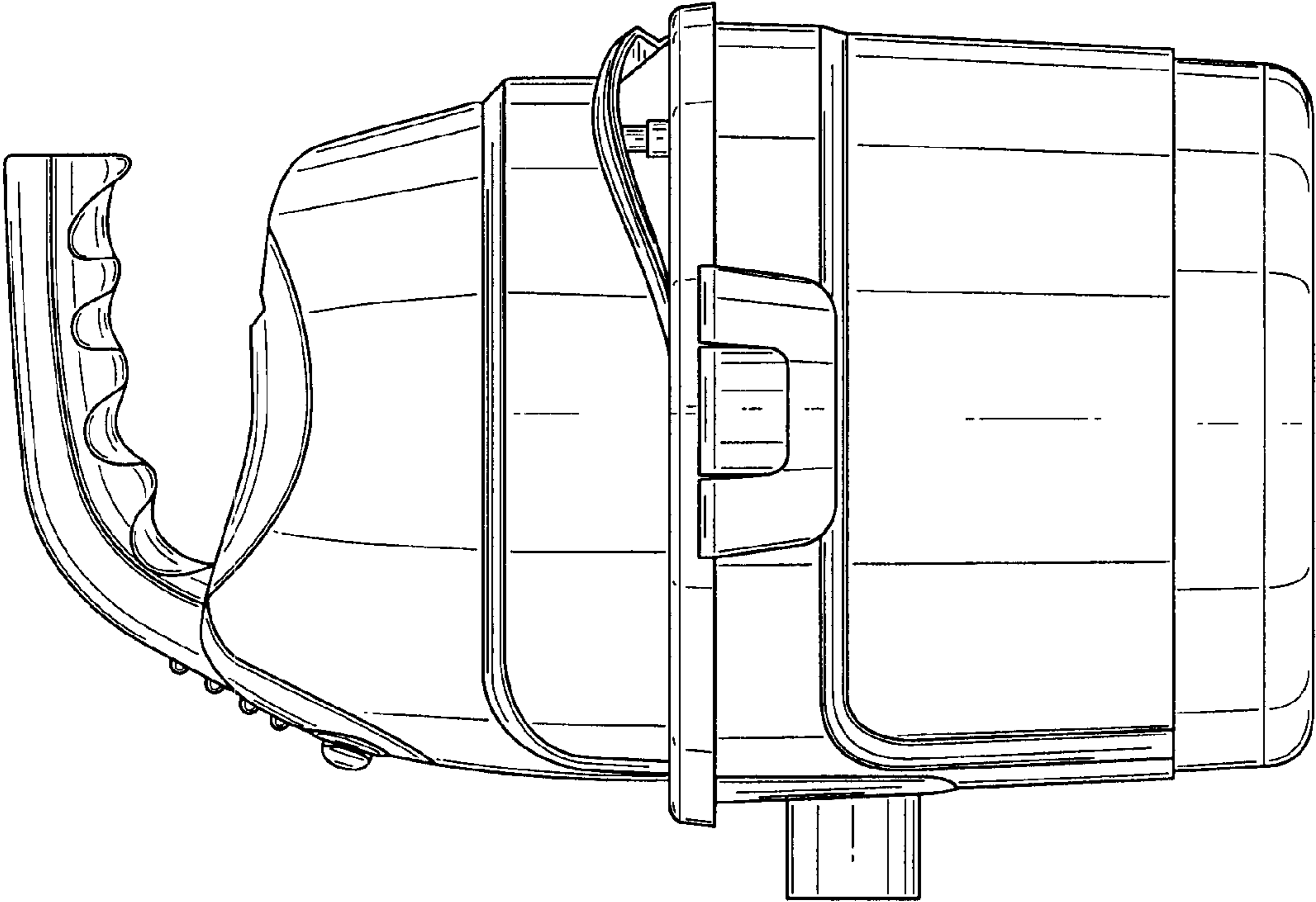


FIG. 5

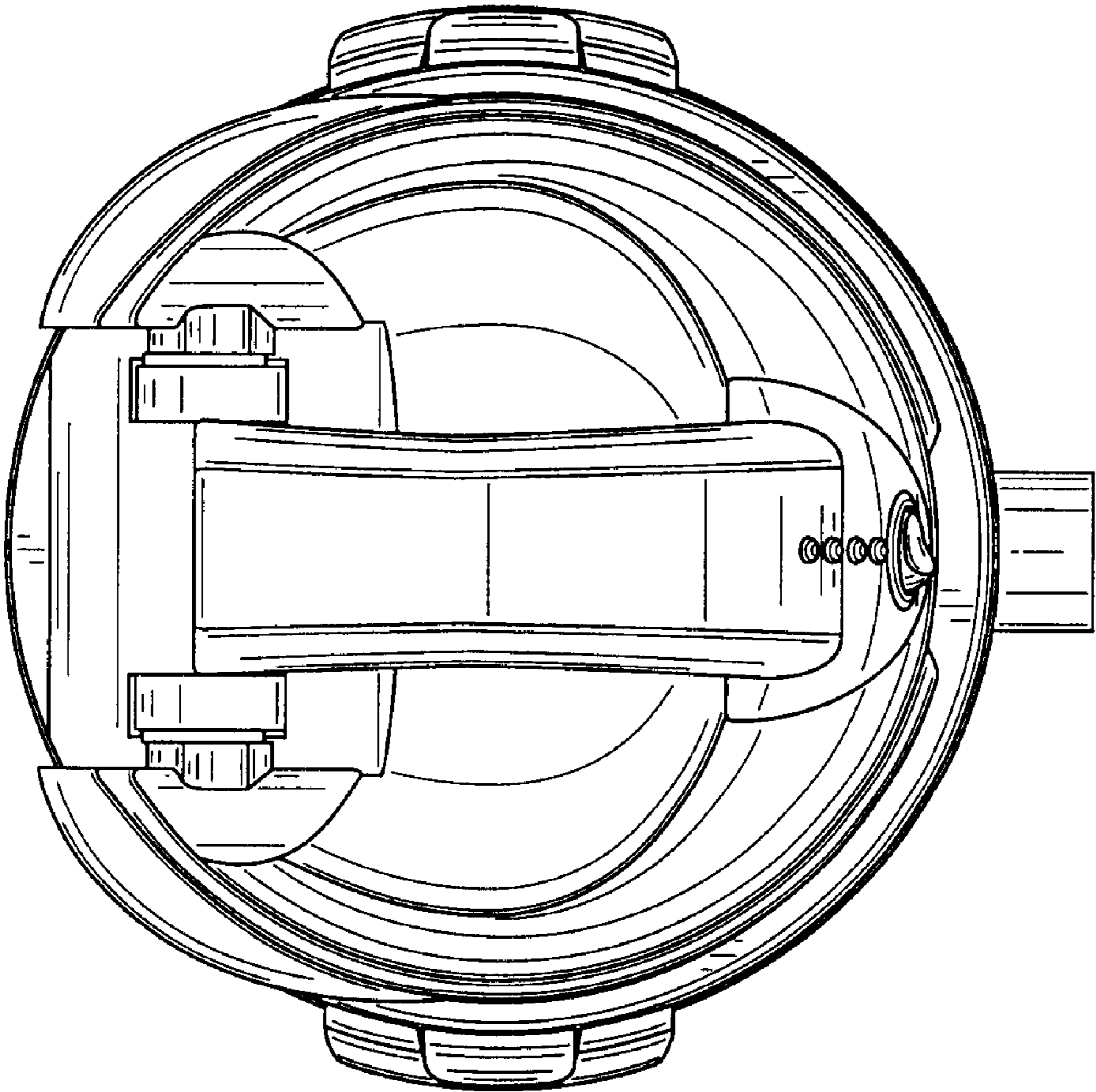


FIG. 6

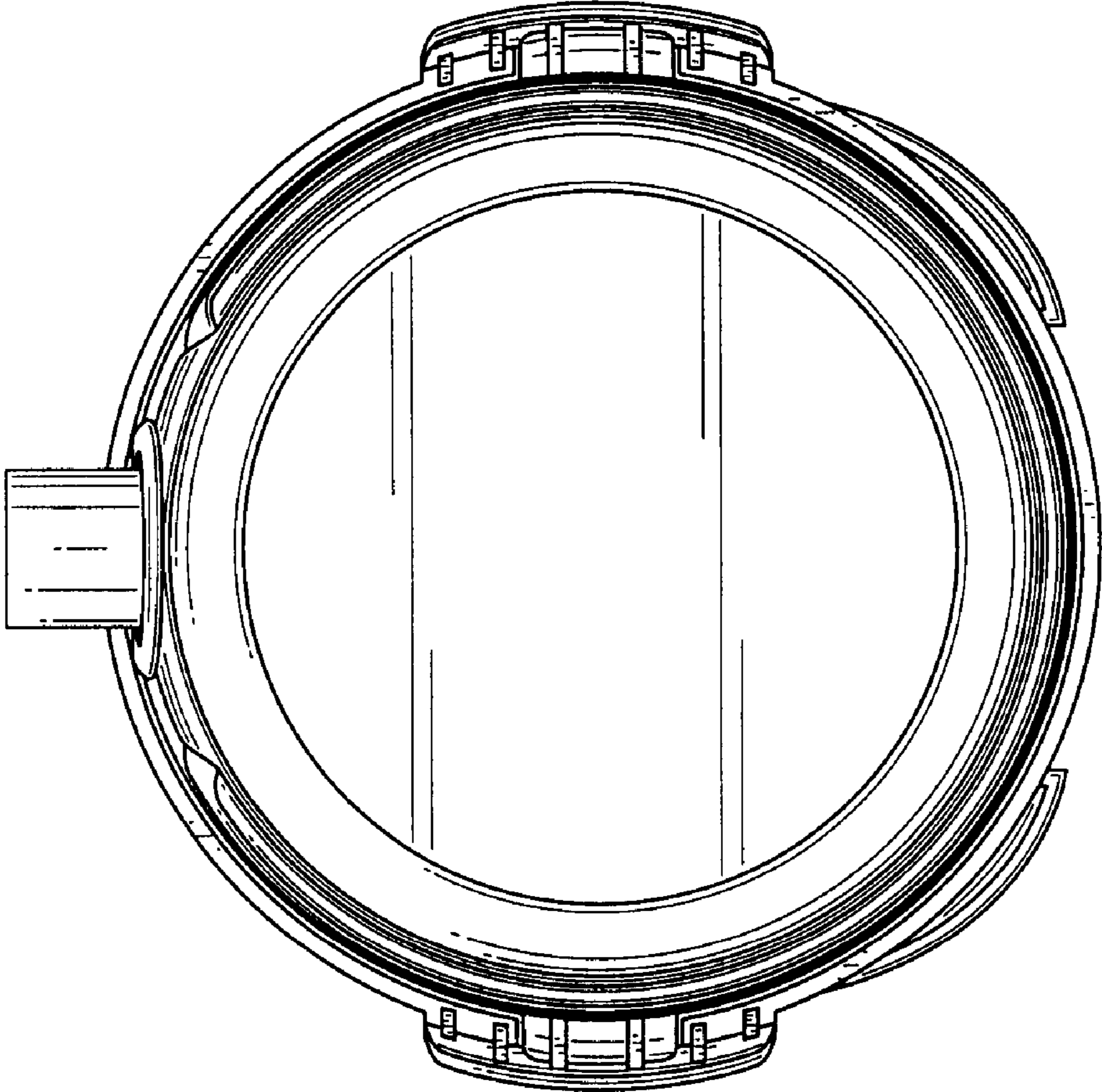


FIG. 7

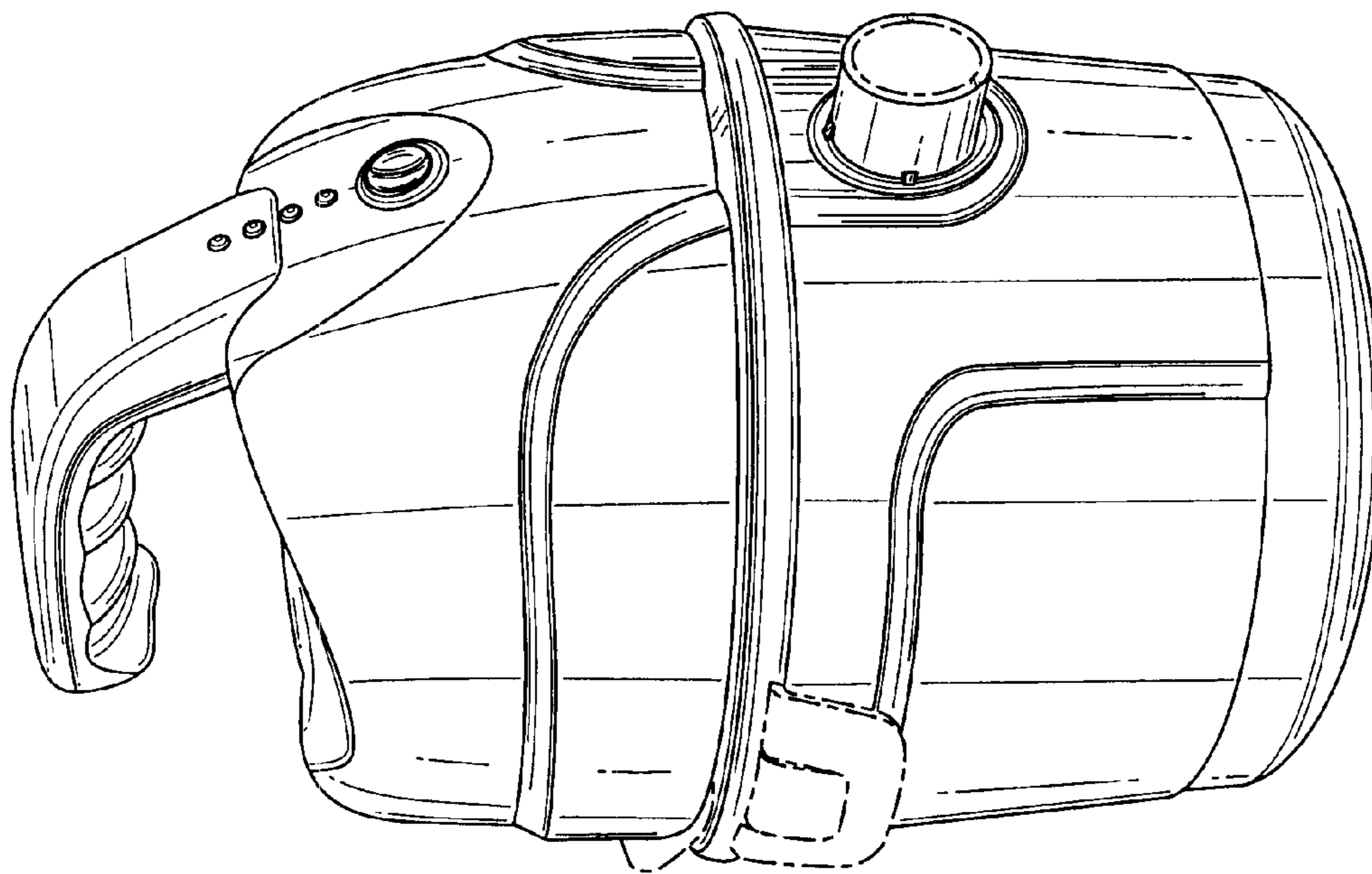


FIG. 8

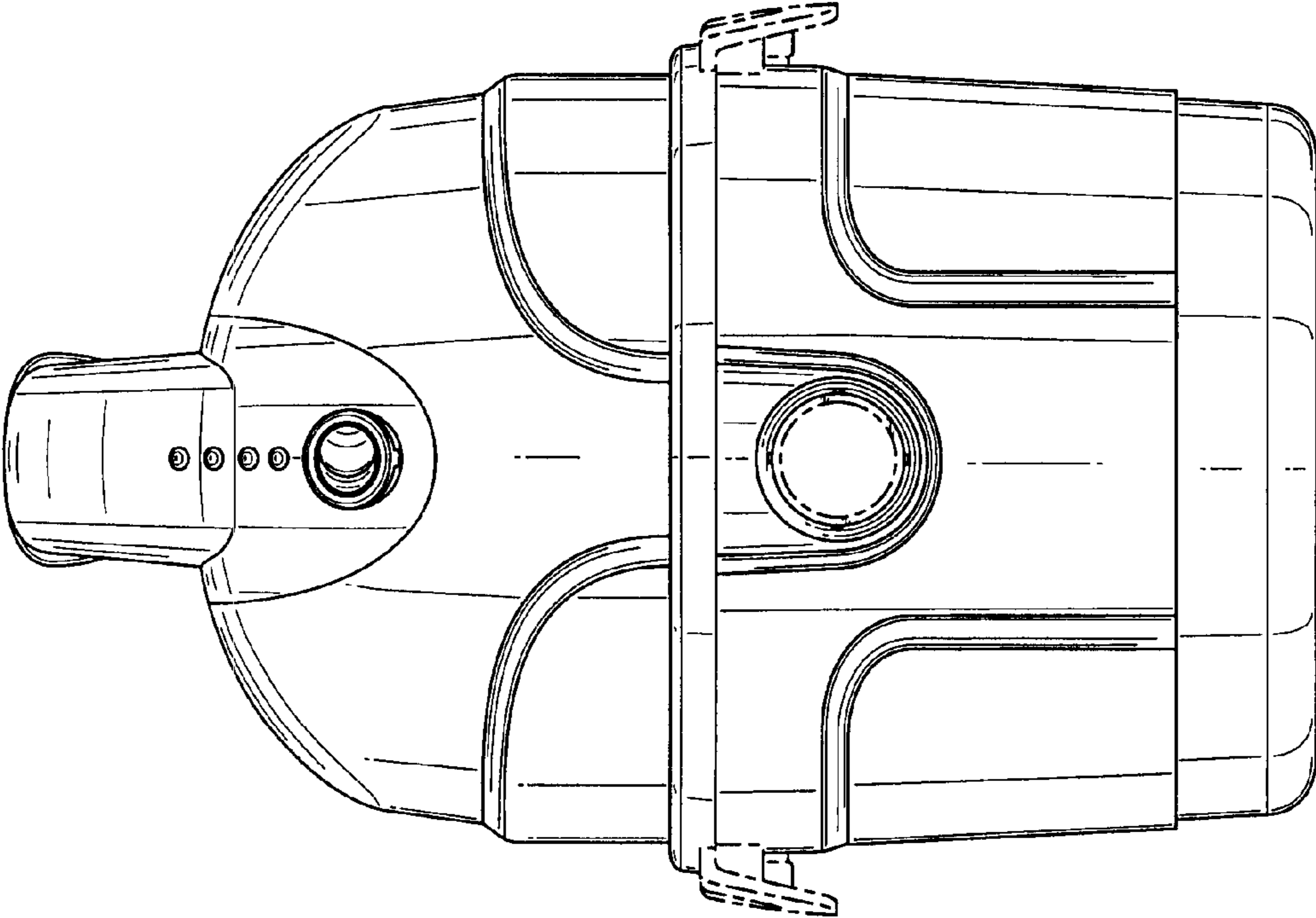


FIG. 9

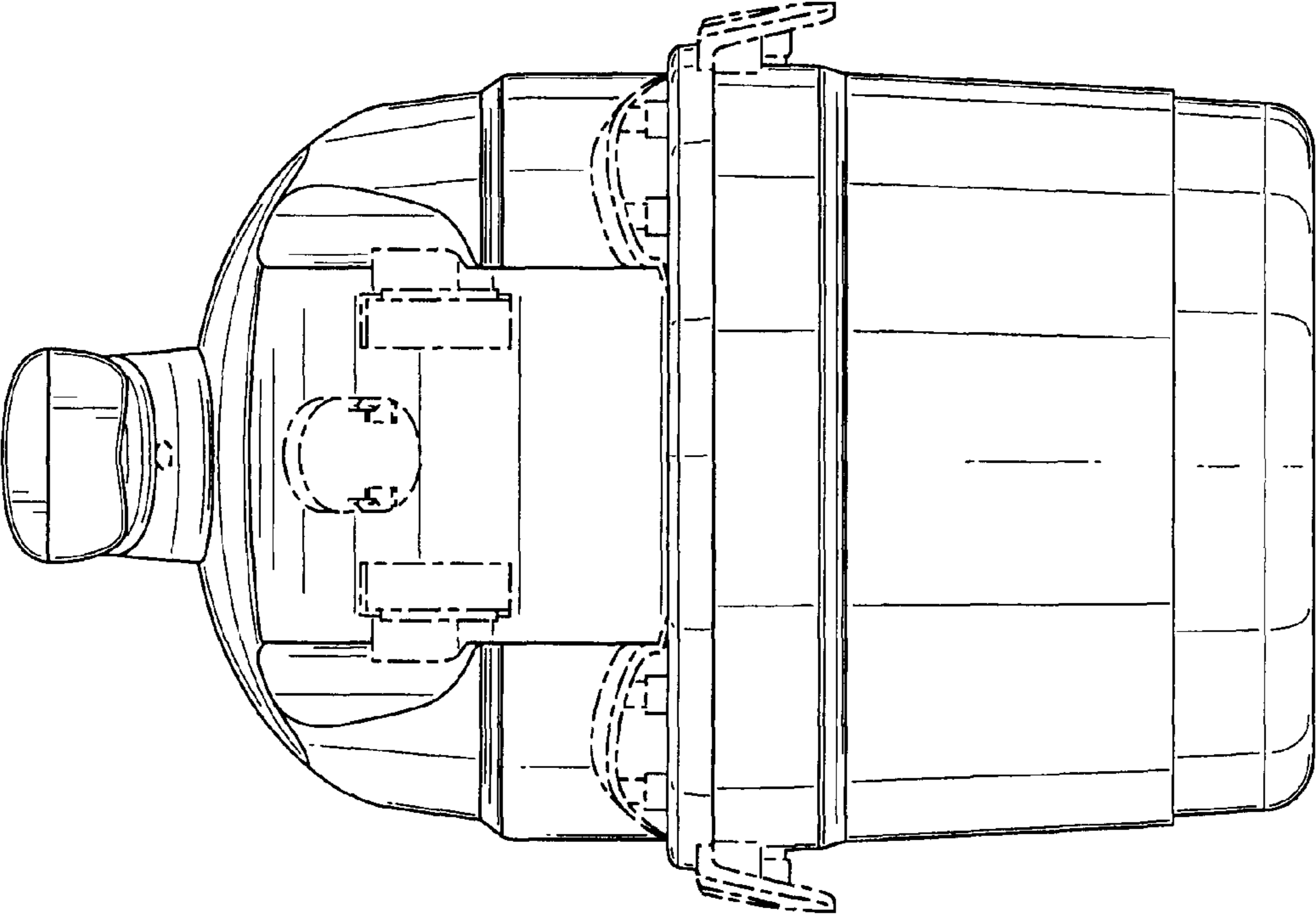


FIG. 10

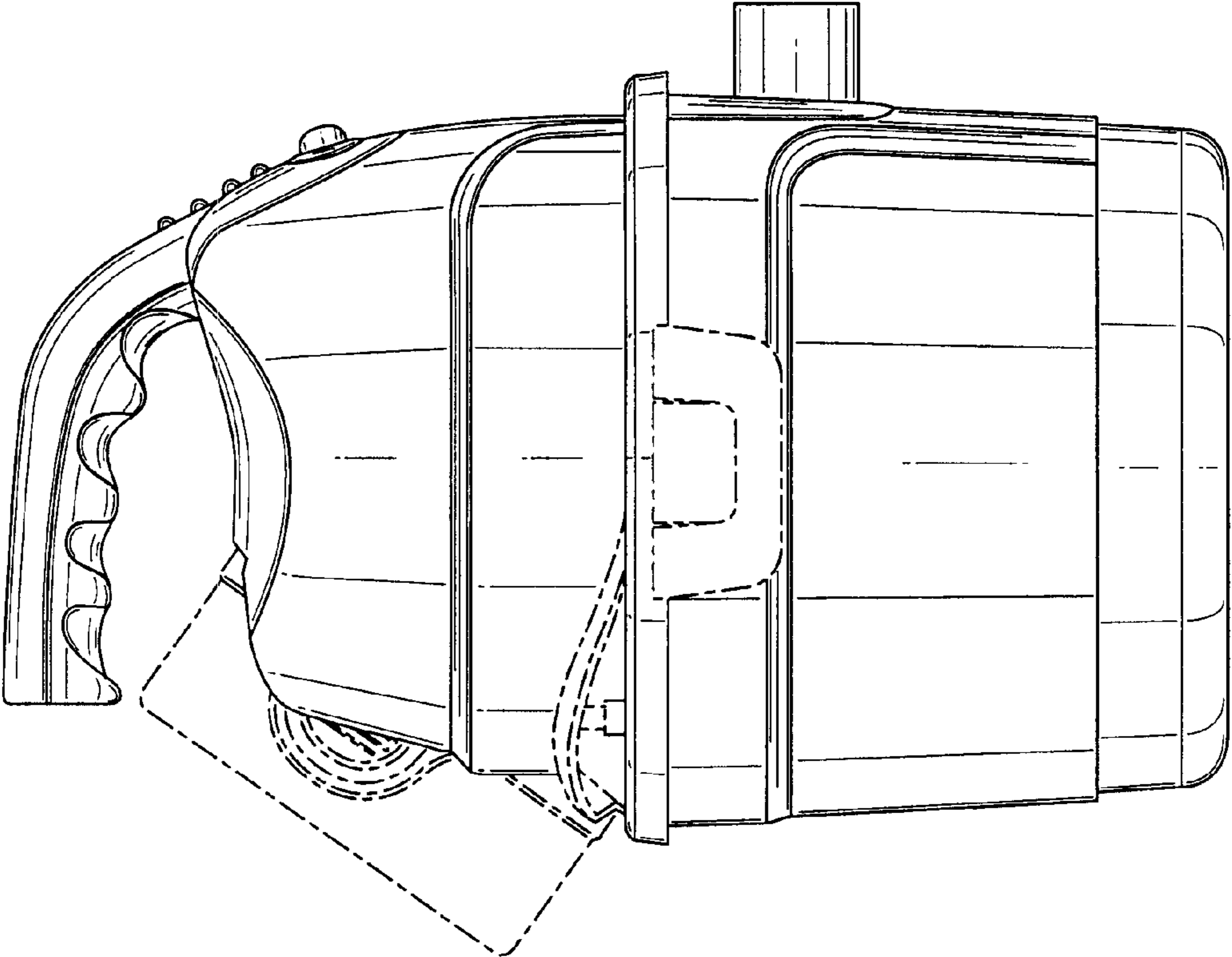


FIG. 11

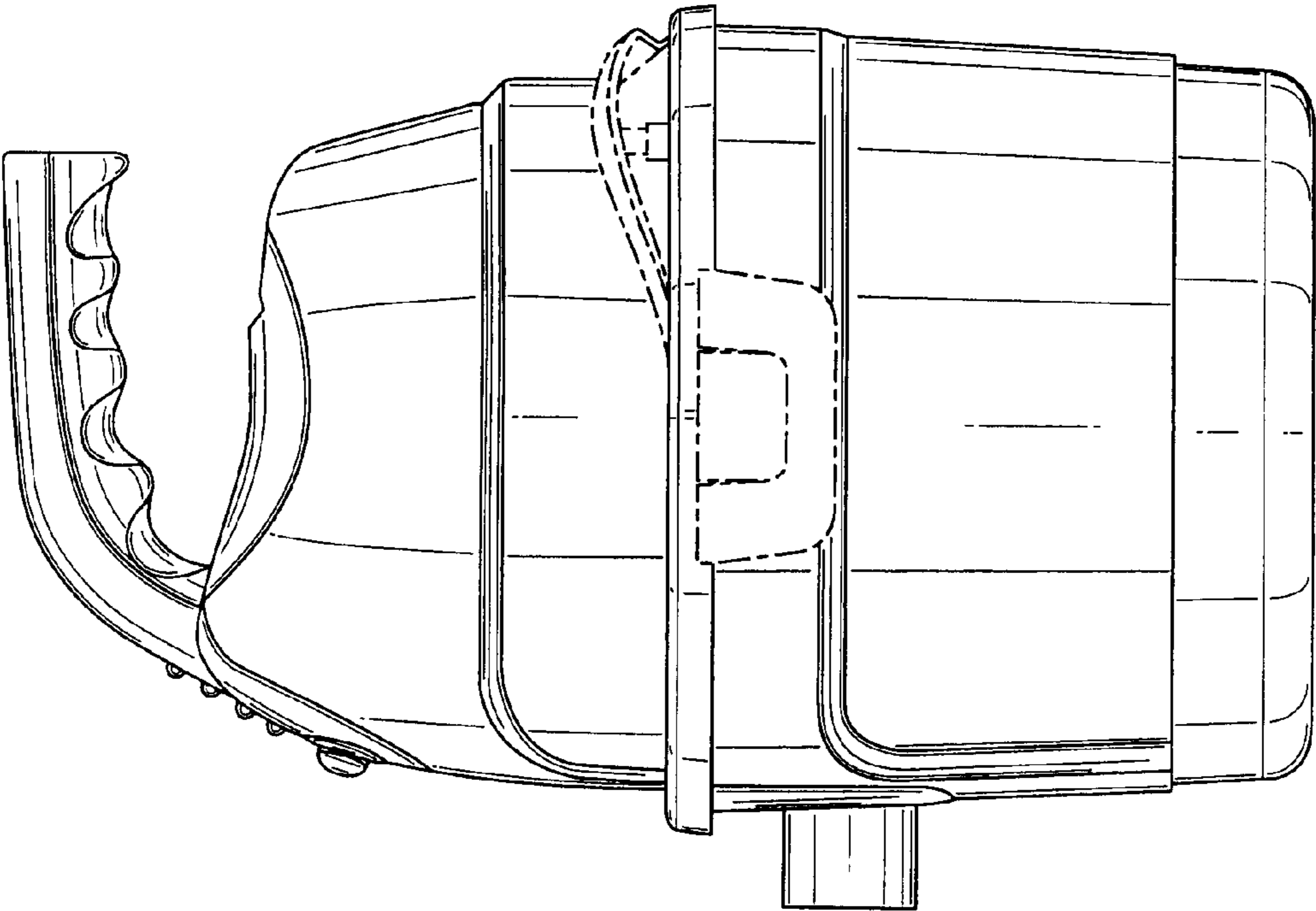


FIG. 12

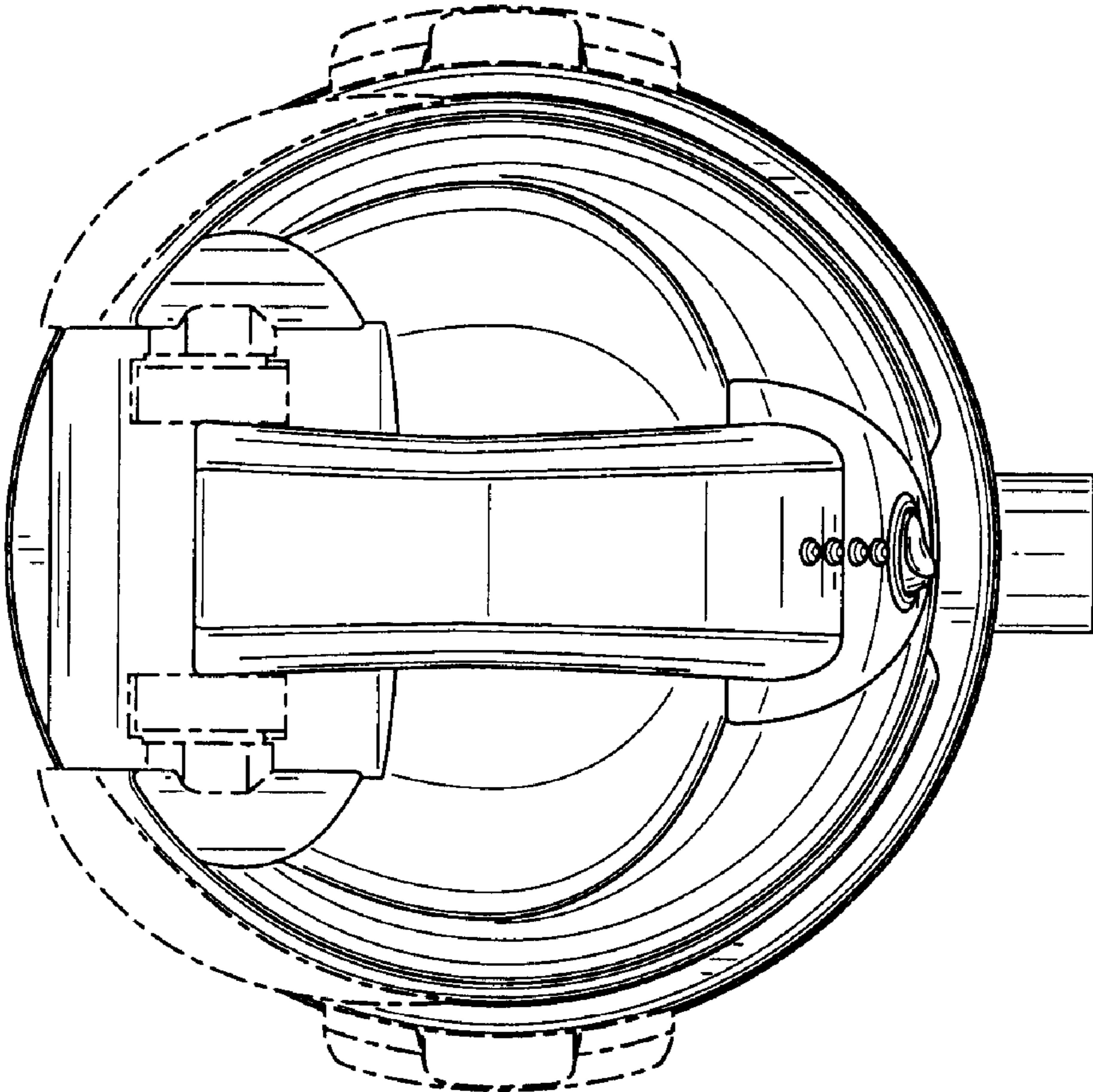


FIG. 13

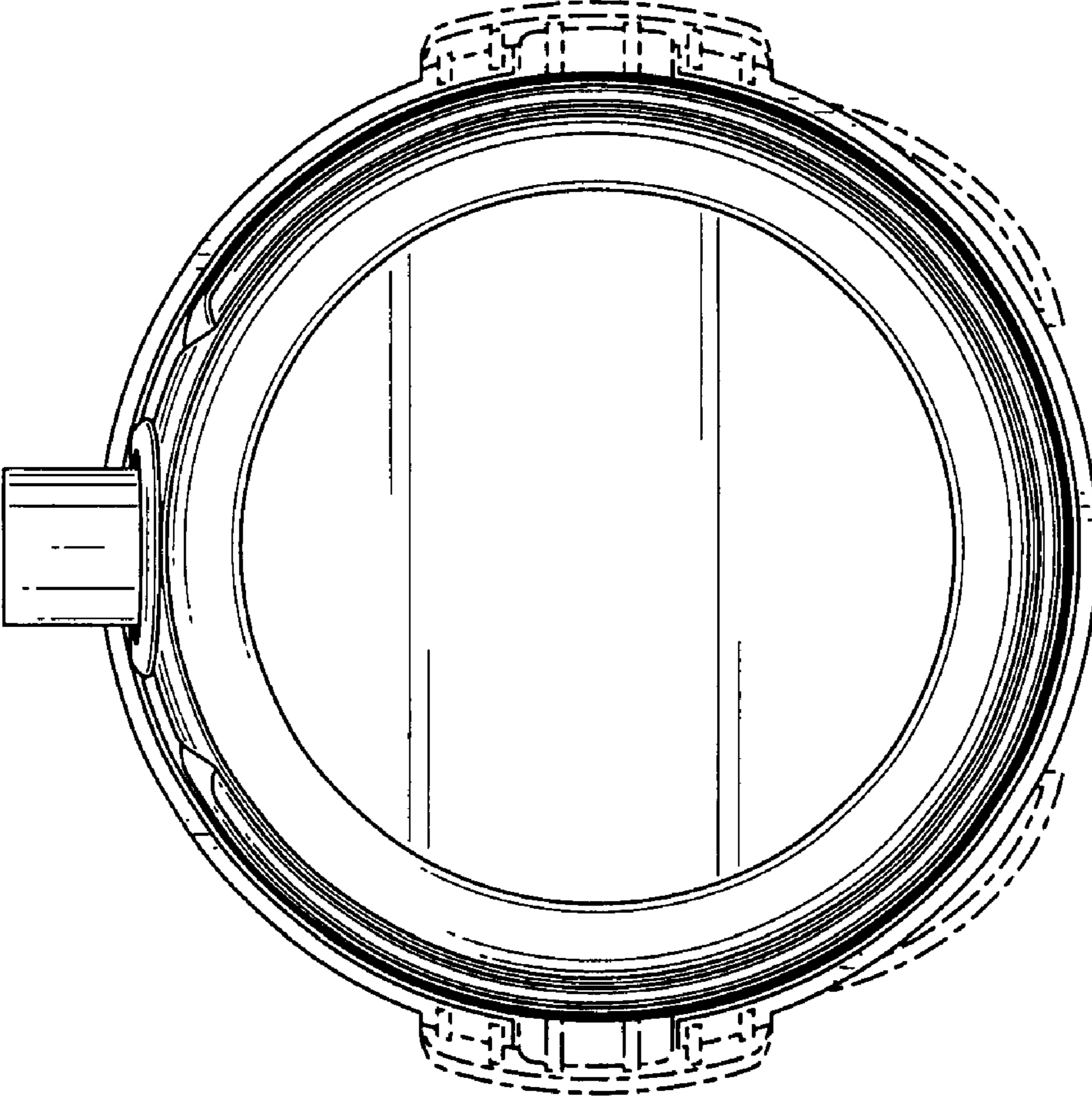


FIG. 14