

US00D507684S

(12) **United States Design Patent**
Jäger

(10) **Patent No.:** **US D507,684 S**

(45) **Date of Patent:** **** Jul. 19, 2005**

(54) **INNER CORE FOR A CHEW TOY FOR ANIMALS**

(75) **Inventor:** **Claudius Jäger**, Boulder, CO (US)

(73) **Assignee:** **Artemis Rubber Technology Inc.**, Longmont, CO (US)

(**) **Term:** **14 Years**

(21) **Appl. No.:** **29/186,345**

(22) **Filed:** **Jul. 14, 2003**

(51) **LOC (8) Cl.** **30-99**

(52) **U.S. Cl.** **D30/160**

(58) **Field of Search** D30/160; D21/406, D21/408, 475-476, 478-479, 483, 532, 662, 681, 682, 707, 711, 713; D24/193-195, 211; 119/702, 706-711; 156/72; 273/160; 446/85, 227, 369; 473/143, 575-576, 578-580, 612, 614; 482/114; 601/118-120, 131, 139; 606/234, 236; 411/157; 219/222, 226; 132/248-249, 268

(56) **References Cited**

U.S. PATENT DOCUMENTS

- 2,652,840 A * 9/1953 Isaacs et al. 132/248
- 3,001,530 A * 9/1961 Julian 132/226

- D221,367 S * 8/1971 Weldon D28/37
- D279,300 S * 6/1985 Wolf D21/408
- D287,298 S * 12/1986 Kibe et al. D28/37
- 4,661,683 A * 4/1987 Glucksman 219/222
- D321,227 S * 10/1991 Norell D21/662
- D357,952 S * 5/1995 Chen D24/211
- D374,519 S * 10/1996 Ruble D30/160
- 6,336,461 B1 * 1/2002 Martinez 601/139
- D461,025 S * 7/2002 Pentland et al. D30/160
- D485,661 S * 1/2004 Harris D30/160
- 6,702,334 B2 * 3/2004 Carnes et al. 411/157

* cited by examiner

Primary Examiner—Cathy Anne MacCormac

(74) *Attorney, Agent, or Firm*—Robert W. Becker & Associates; Robert W. Becker

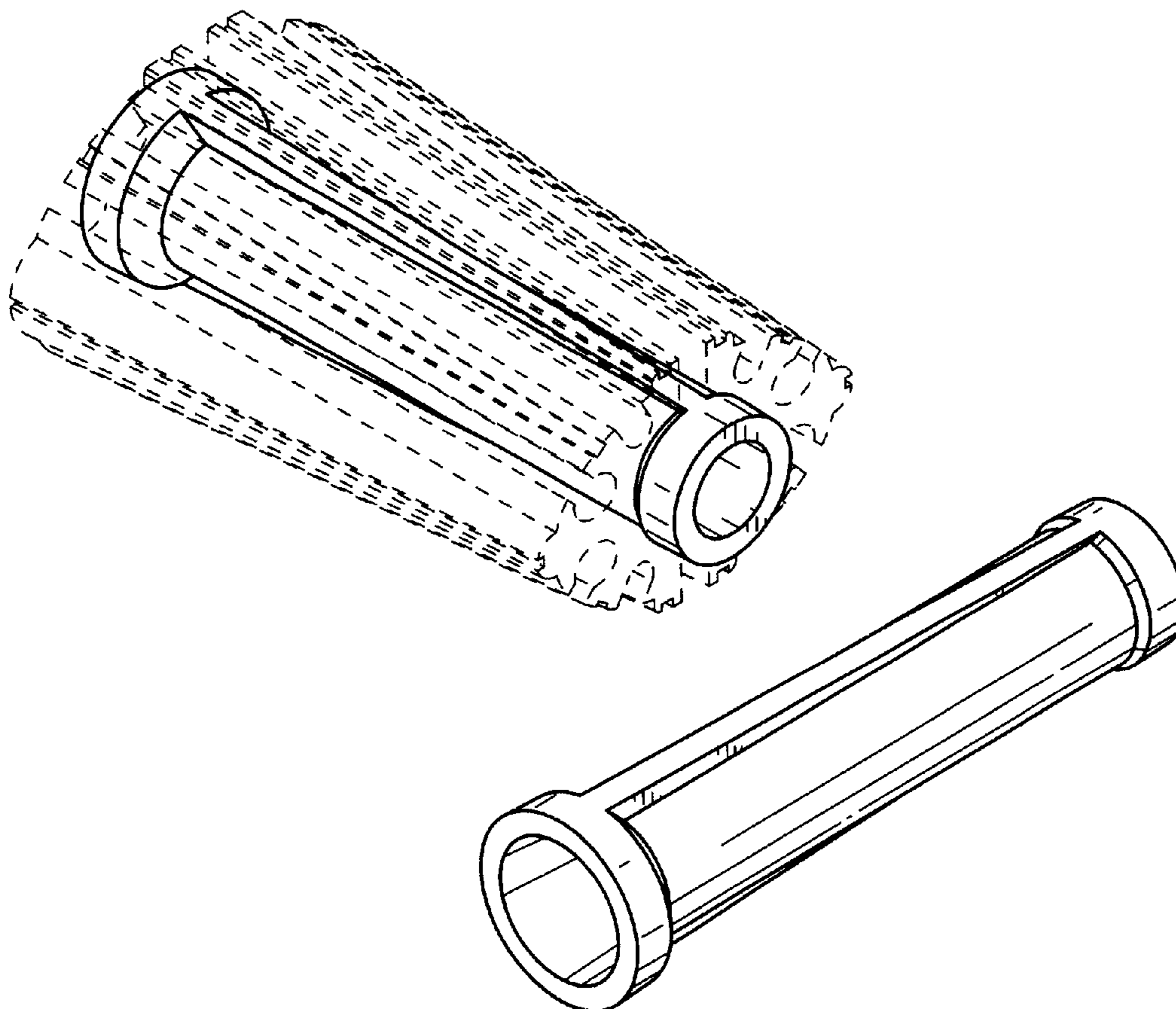
(57) **CLAIM**

The ornamental design for a inner core for a chew toy for animals, as shown and described.

DESCRIPTION

FIG. 1 is a front and top perspective view of an inner core for a chew toy for animals; and, FIG. 2 is a rear and bottom perspective view thereof. The broken lines are for illustrative purposes only and form no part of the claimed design.

1 Claim, 1 Drawing Sheet



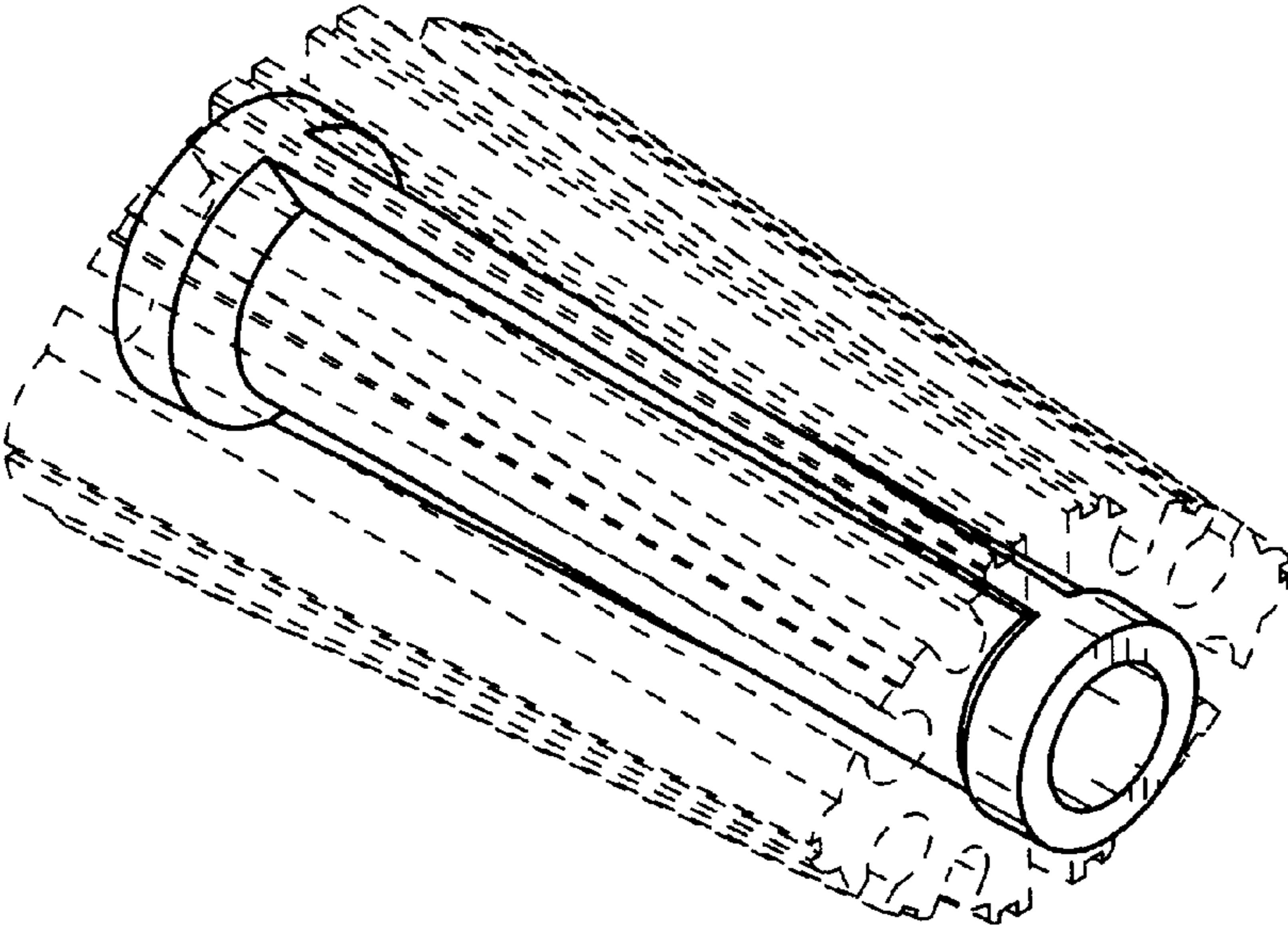


FIG.1

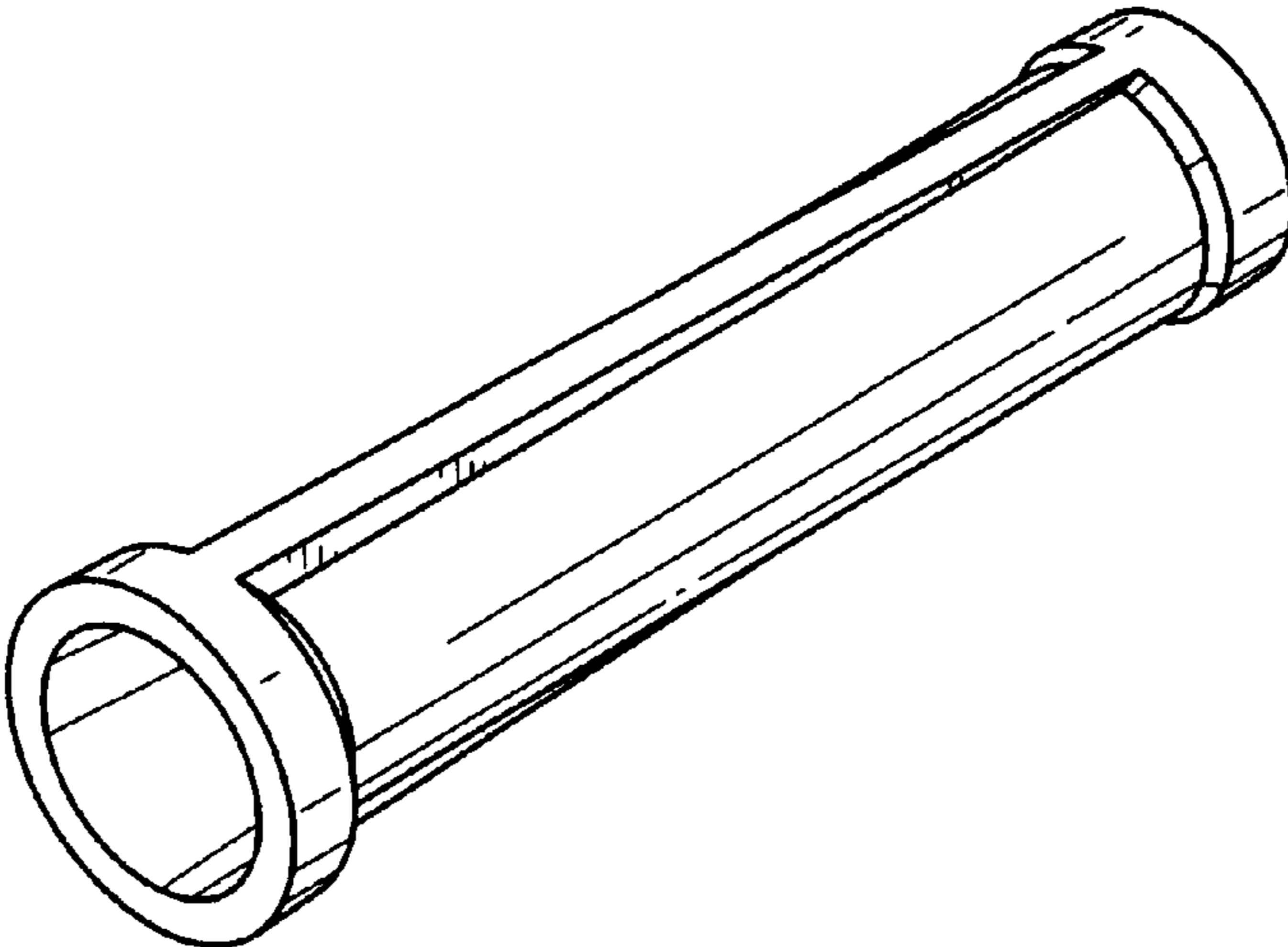


FIG.2