

US00D507682S

(12) **United States Design Patent**
Dunn et al.

(10) **Patent No.: US D507,682 S**
(45) **Date of Patent: ** Jul. 19, 2005**

(54) **PET GROOMING TOOL**
(75) **Inventors: Steven B. Dunn**, Beverly Hills, CA (US); **Bryce D. Fujii**, Canoga Park, CA (US); **Kevin C. Clark**, Los Angeles, CA (US); **Charles Davis**, Torrance, CA (US); **Zoltan Pavlakovich**, San Pedro, CA (US)
(73) **Assignee: Munchkin, Inc.**, Van Nuys, CA (US)

(**) **Term: 14 Years**

(21) **Appl. No.: 29/200,515**

(22) **Filed: Feb. 27, 2004**

(51) **LOC (8) Cl. 30-99**

(52) **U.S. Cl. D30/158; D4/138**

(58) **Field of Search D30/158-159; D4/138, 132, 133-37, 100-2, 122, 127, 119, 199; D8/106-7; 401/28; 132/120-21, 150, 152, 147-8; 119/600-1, 605-6, 611-19, 625, 630, 632-33; 15/50.1-50.3, 55, 57, 71, 77, 79.1, 104.002, 105-6, 143.1; 19/98**

(56) **References Cited**

U.S. PATENT DOCUMENTS

304,728 A	9/1884	Hellwig
591,273 A	10/1897	Griffey
592,445 A	10/1897	Rees
707,563 A	8/1902	Durgin
761,664 A	6/1904	Durgin
792,013 A	6/1905	Flemming
862,918 A	8/1907	Howard
967,781 A	8/1910	Jones
1,025,793 A	5/1912	Endsley
1,196,959 A	9/1916	Lewerenz

1,366,762 A	1/1921	Ault	
1,388,955 A	8/1921	Kozlowsky et al.	
2,815,032 A	12/1957	Rosenfeld	
3,308,500 A	3/1967	Woodruff	
3,690,331 A	9/1972	Messer	
D268,225 S	3/1983	Ellenson	
4,970,990 A	* 11/1990	Wilhelmi	119/601
5,267,528 A	* 12/1993	Murieen, Sr.	119/628
D358,909 S	* 5/1995	Rawski	D30/159
5,503,109 A	* 4/1996	Sporn	119/633
D408,998 S	* 5/1999	Choi et al.	D4/138
6,082,307 A	7/2000	Landreneau	
6,145,151 A	* 11/2000	Herron et al.	15/143.1
6,158,443 A	12/2000	Leman et al.	
6,427,633 B1	8/2002	Ogden	

* cited by examiner

Primary Examiner—Alan P. Douglas

Assistant Examiner—Susan M Lee

(74) *Attorney, Agent, or Firm*—Knoble Yoshida & Dunleavy, LLC

(57) **CLAIM**

An ornamental design for a pet grooming tool, as shown and described.

DESCRIPTION

FIG. 1 is a perspective view showing our new design;

FIG. 2 is a top plan view;

FIG. 3 is a bottom plan view;

FIG. 4 is a first side elevational view;

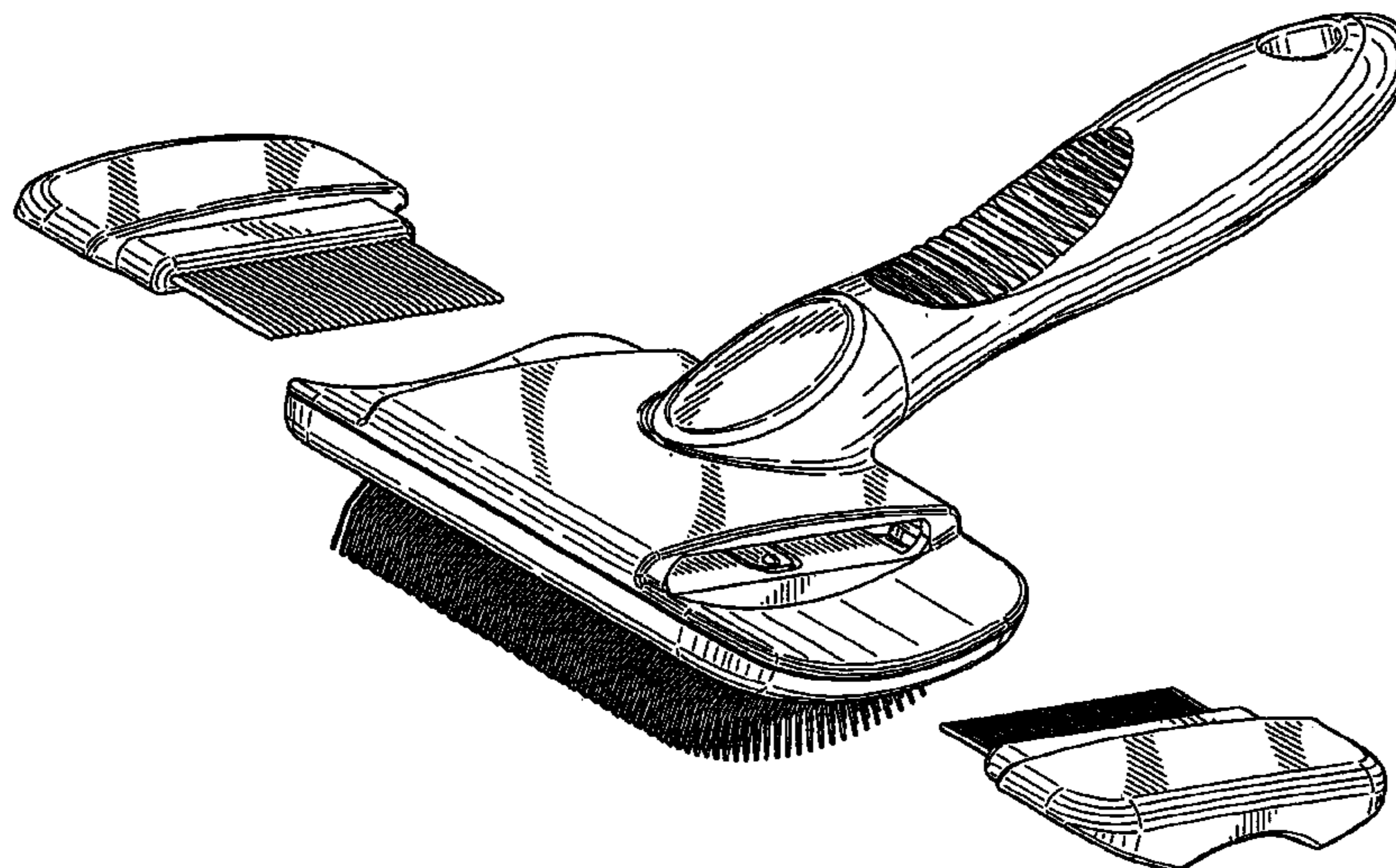
FIG. 5 is a second side elevational view;

FIG. 6 is a front elevational view; and,

FIG. 7 is a rear elevational view.

Any broken lines denote probable environmental structure and are not part of the claimed design.

1 Claim, 7 Drawing Sheets



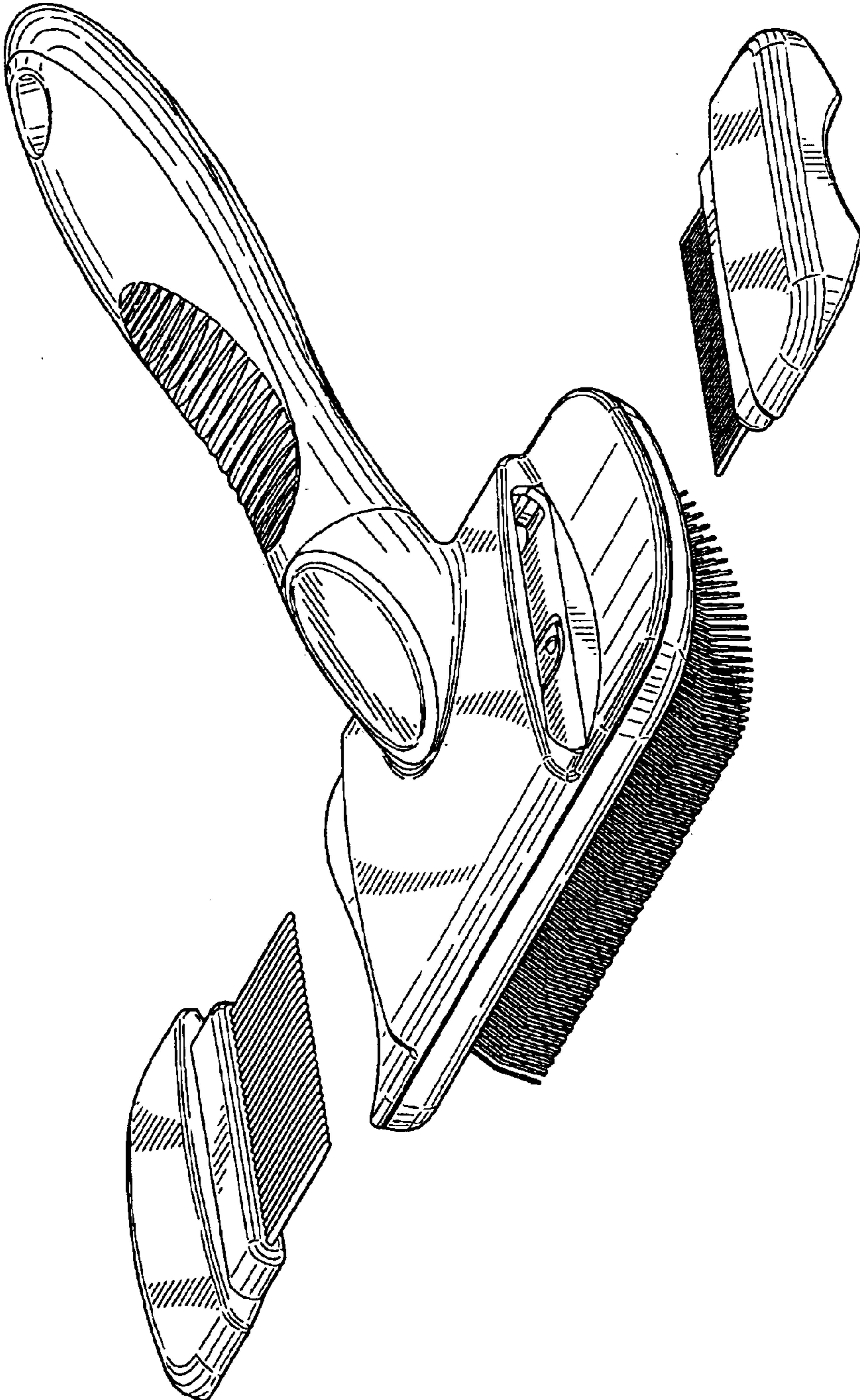


FIG. 1

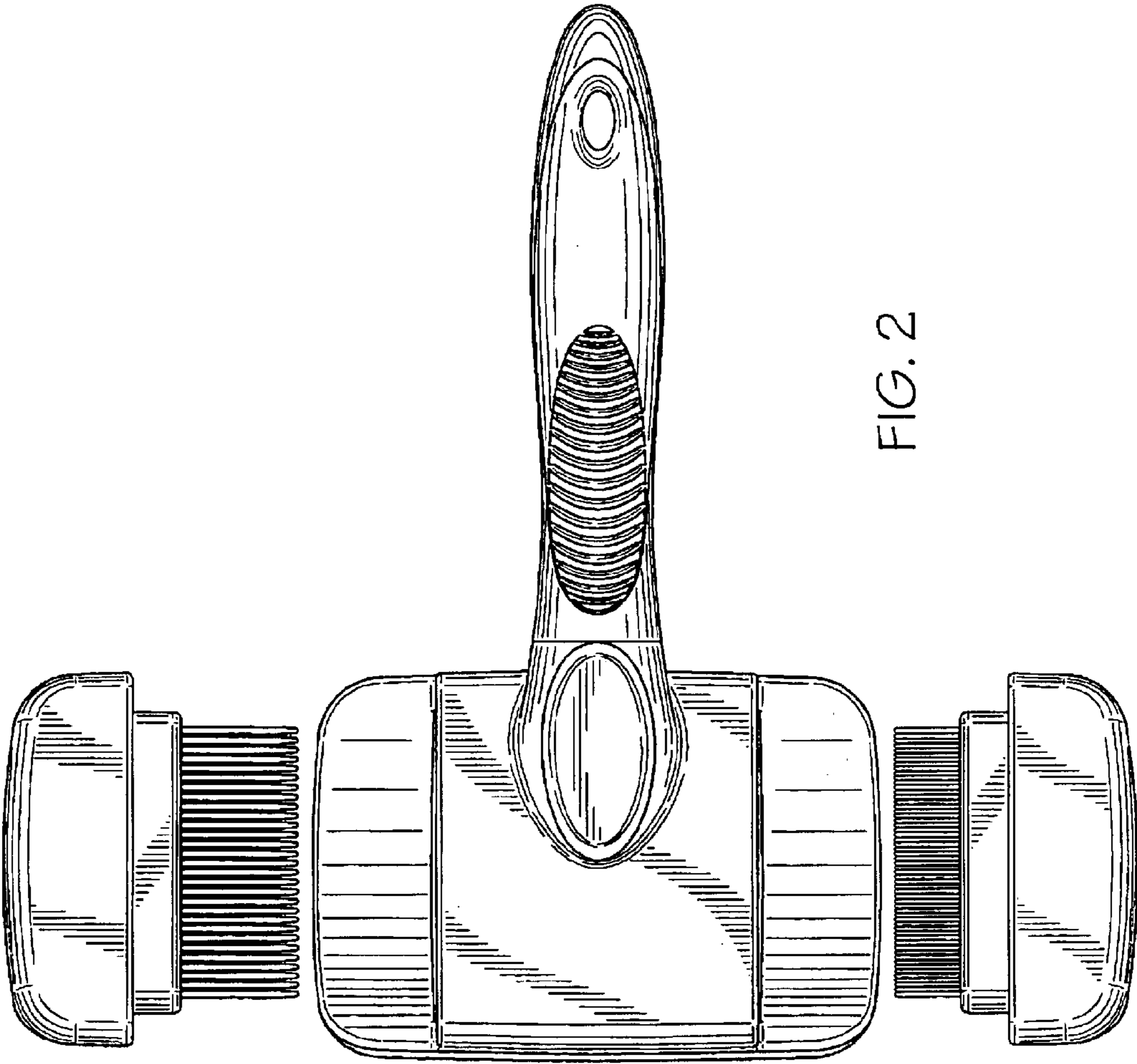


FIG. 2

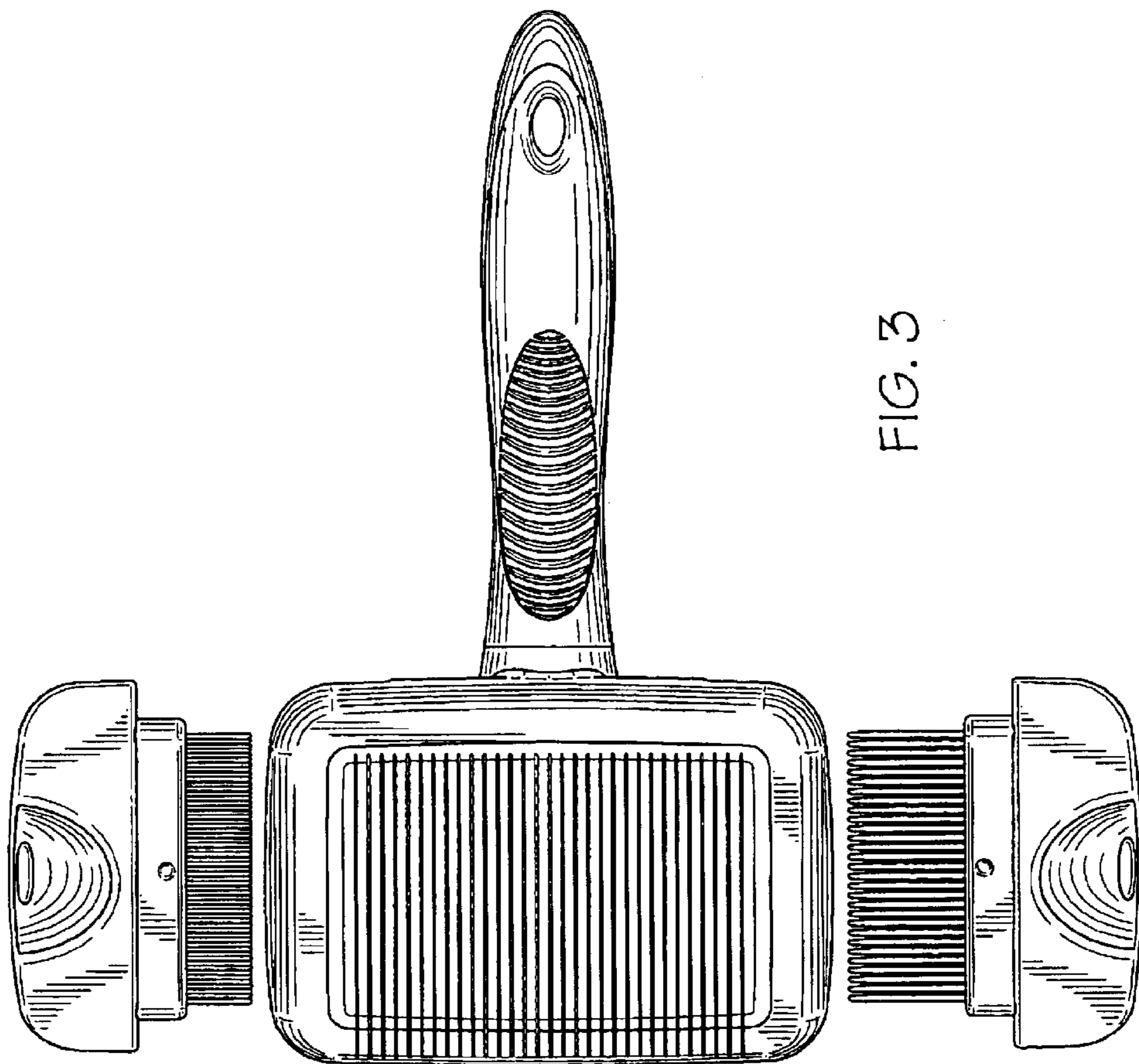


FIG. 3

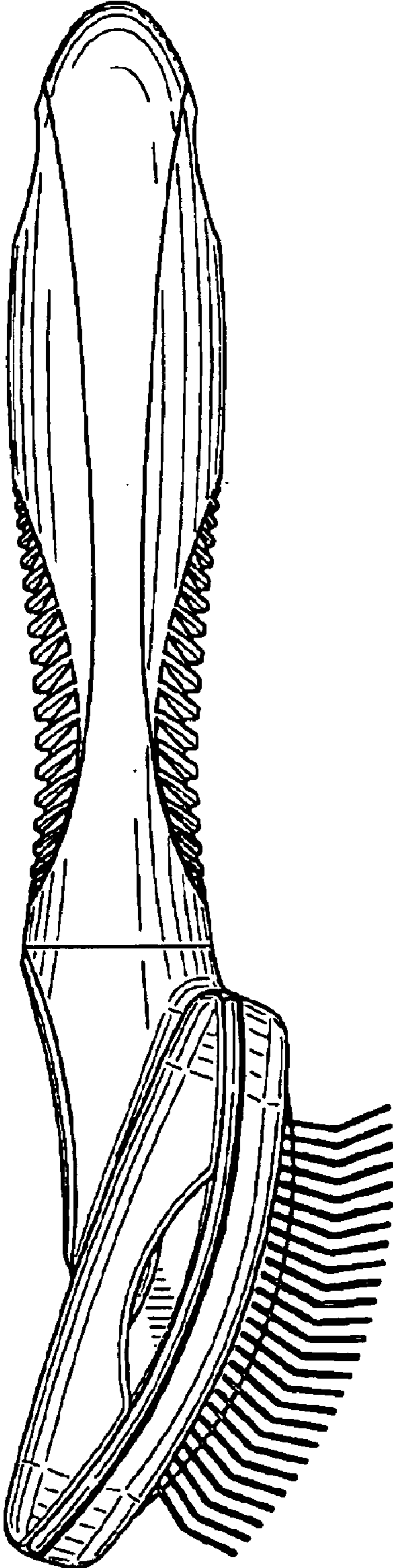


FIG. 4

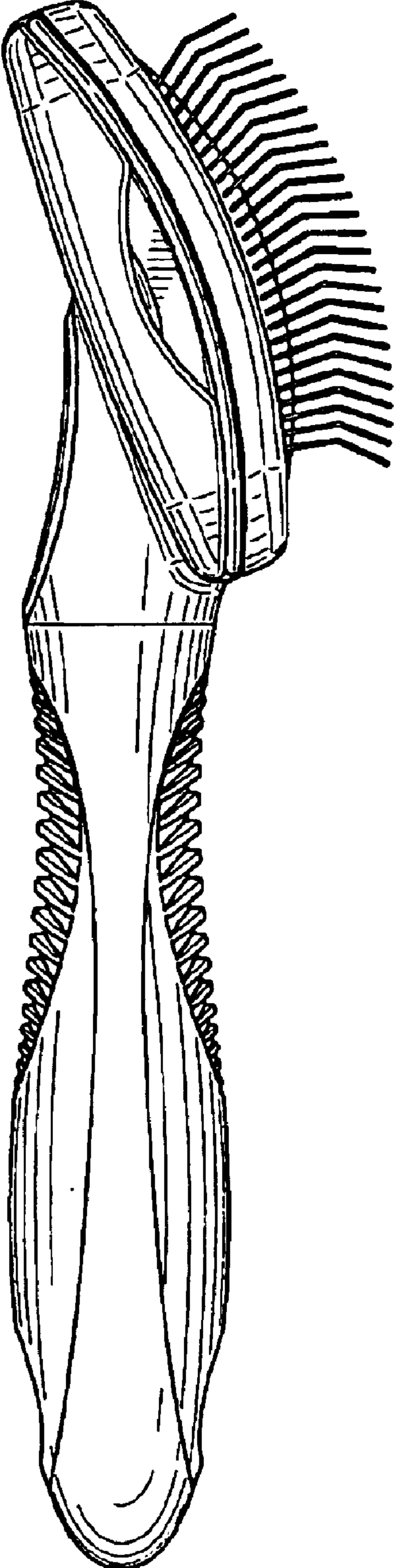


FIG. 5

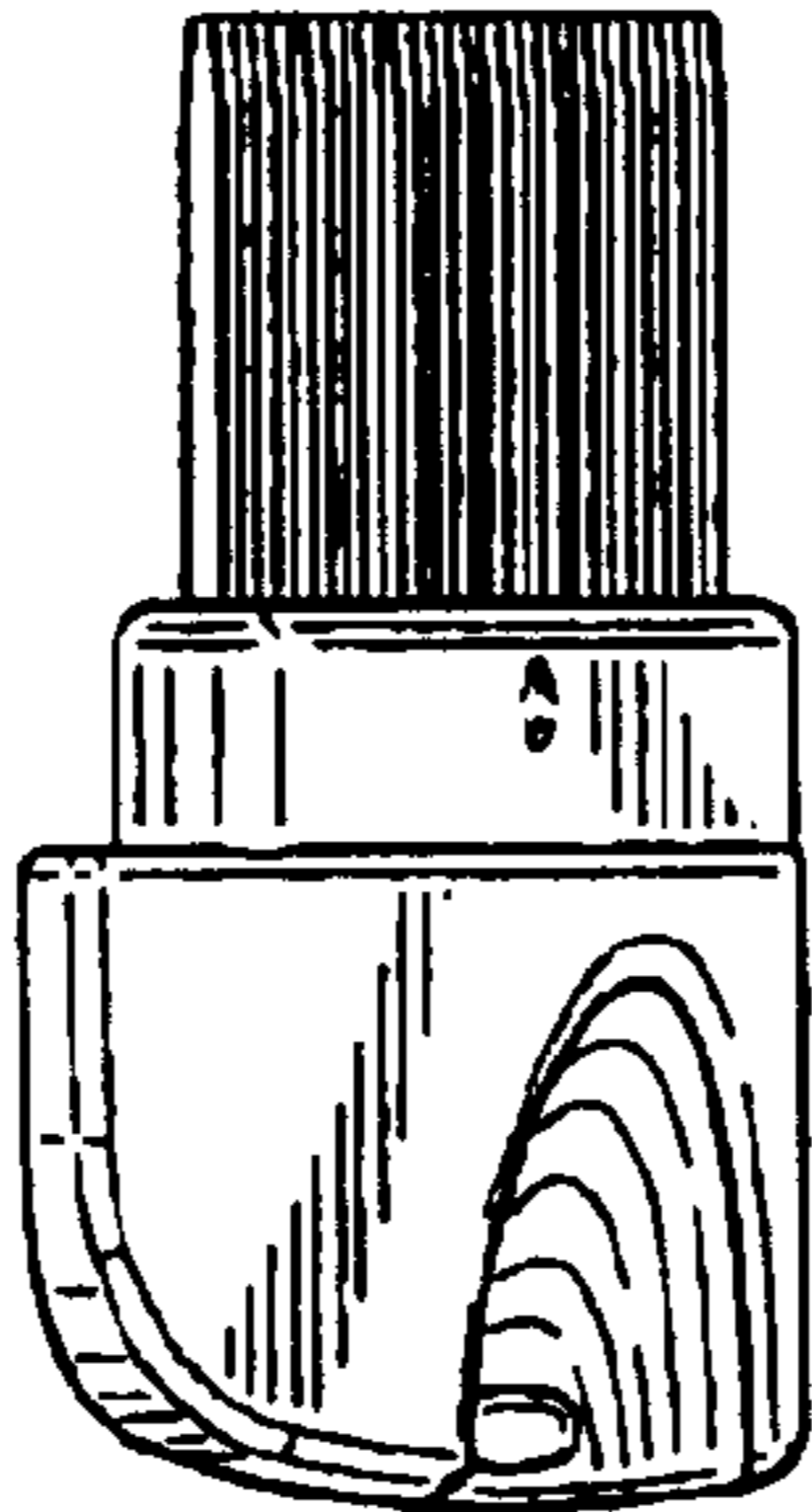
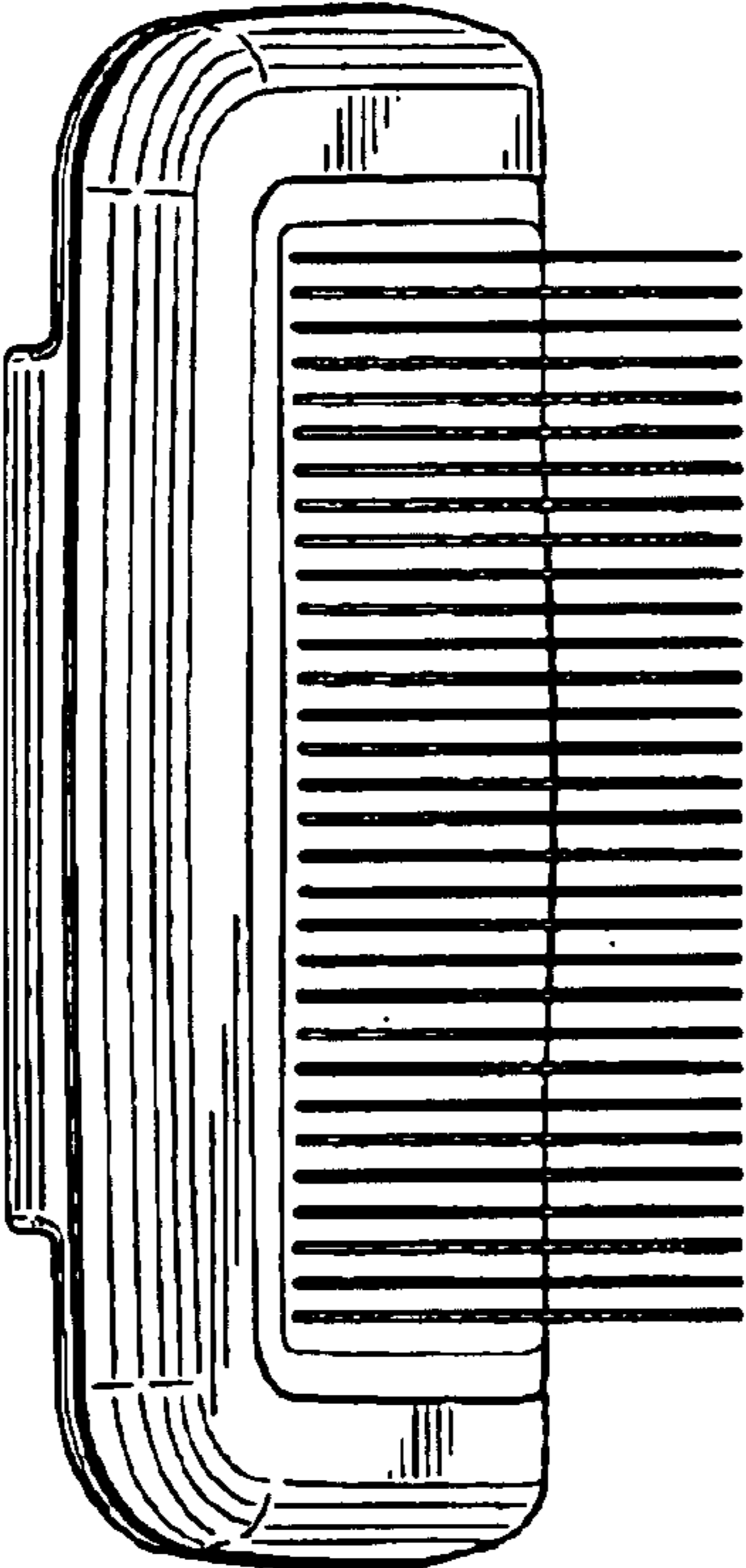
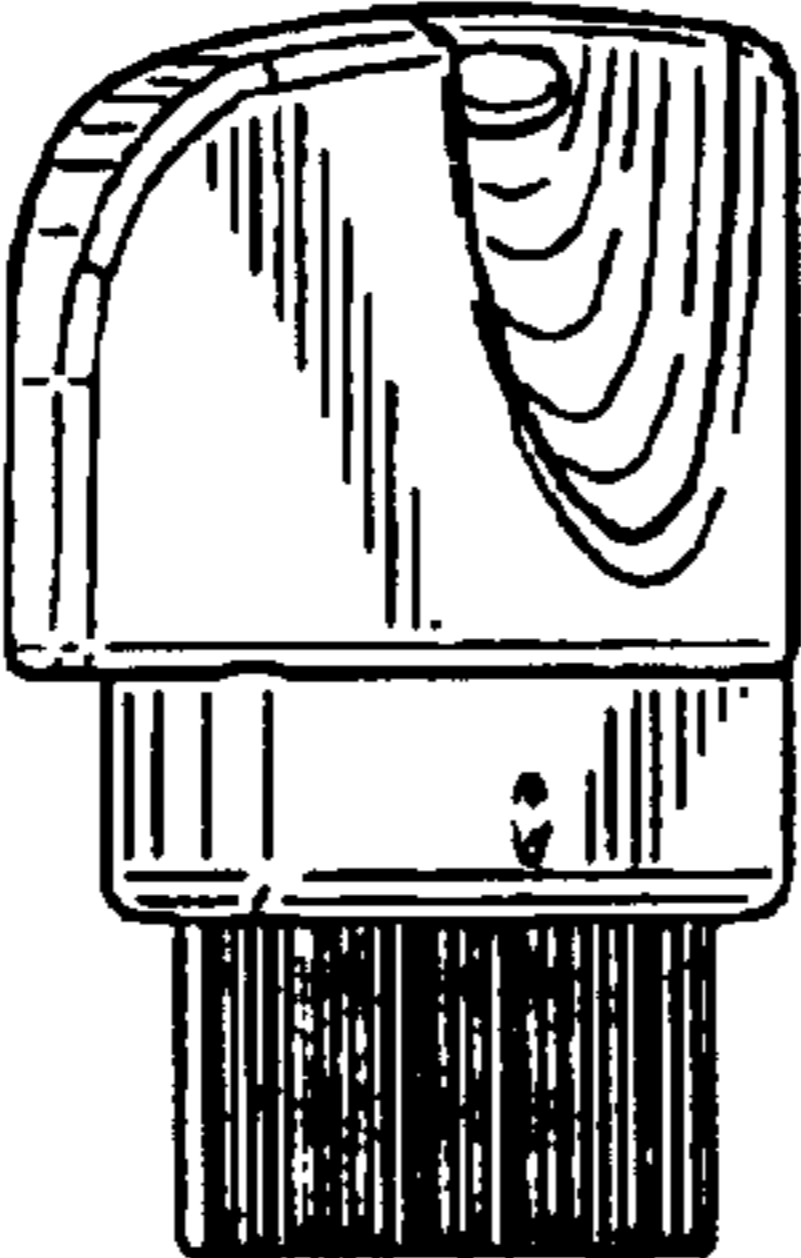


FIG. 6

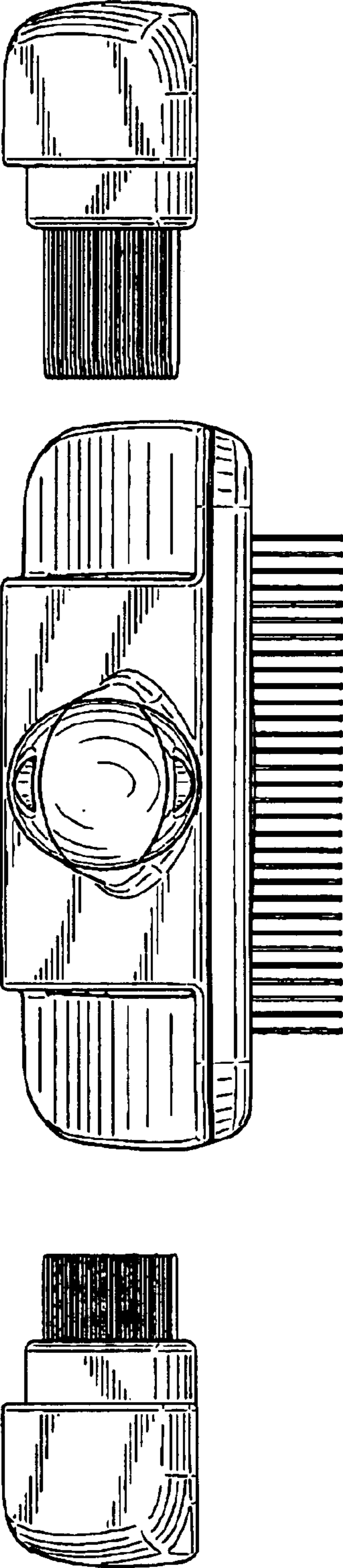


FIG. 7