

US00D507681S

(12) **United States Design Patent**
Choi et al.

(10) **Patent No.: US D507,681 S**
(45) **Date of Patent: ** Jul. 19, 2005**

- (54) **HANDLE FOR A DOUBLE-SIDED GROOMING TOOL**
- (75) Inventors: **Yoon Ho Choi**, Seoul (KR); **Klaus Woltmann**, Demarest, NJ (US); **Jonathan Willinger**, Tenafly, NJ (US)
- (73) Assignee: **JW Pet Company, Inc.**, Teterboro, NJ (US)
- (**) Term: **14 Years**

- D398,507 S * 9/1998 Thompson et al. D8/83
- D399,722 S * 10/1998 Eidsmoe et al. D8/107
- D402,176 S * 12/1998 Lauster et al. D8/83
- D405,340 S * 2/1999 Sullivan et al. D8/107
- D408,998 S 5/1999 Choi et al.
- D411,428 S * 6/1999 Scott D8/83
- D415,005 S * 10/1999 Chen D8/83
- D428,570 S * 7/2000 Lamond et al. D8/107
- D442,446 S * 5/2001 Hortnagl D8/10

* cited by examiner

- (21) Appl. No.: **29/185,502**
- (22) Filed: **Jun. 26, 2003**

Primary Examiner—Alan P. Douglas
Assistant Examiner—Susan M Lee
 (74) *Attorney, Agent, or Firm*—Katten Muchin Zavis Rosenman

- (51) **LOC (8) Cl.** **30-99**
- (52) **U.S. Cl.** **D30/158; D4/138**
- (58) **Field of Search** D30/158–159; D4/138, 132, 133–37, 100–2, 122, 127, 119, 199; D8/106–7; 401/28; 132/120–21, 150, 152, 147–48; 119/600–1, 605–606, 611–19, 625, 630, 632–33; 15/50.1–50.3, 55, 57, 71, 77, 79.1, 104.002, 105–106, 143.1; 19/98

(57) **CLAIM**

The ornamental design for a handle for a double-sided grooming tool, as shown and described.

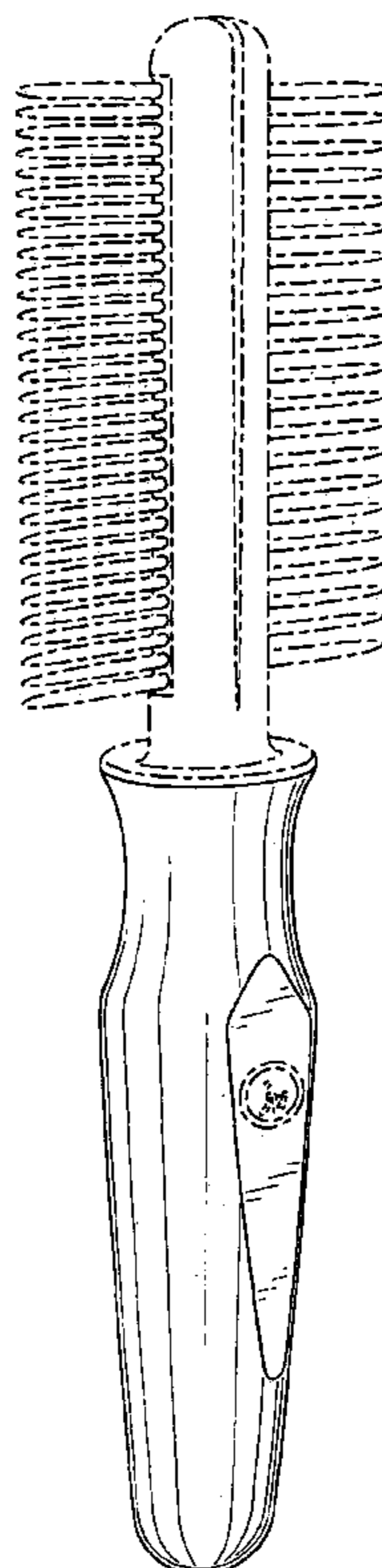
DESCRIPTION

FIG. 1 is a perspective view of a handle for a double-sided grooming tool showing my new design, the dotted lines forming no part of the claimed design;
 FIG. 2 is a front elevation view thereof;
 FIG. 3 is a rear elevation view thereof;
 FIG. 4 is a left side elevation view thereof;
 FIG. 5 is a right side elevation view thereof;
 FIG. 6 is a top view thereof; and,
 FIG. 7 is a bottom view thereof.

(56) **References Cited**
U.S. PATENT DOCUMENTS

- D198,224 S 5/1964 Boldt
- D267,075 S * 11/1982 Wadstrom D8/107
- 4,456,815 A * 6/1984 Andis 219/225
- D288,987 S * 3/1987 Bambury D4/127
- D372,412 S * 8/1996 Bradshaw D8/83

1 Claim, 6 Drawing Sheets



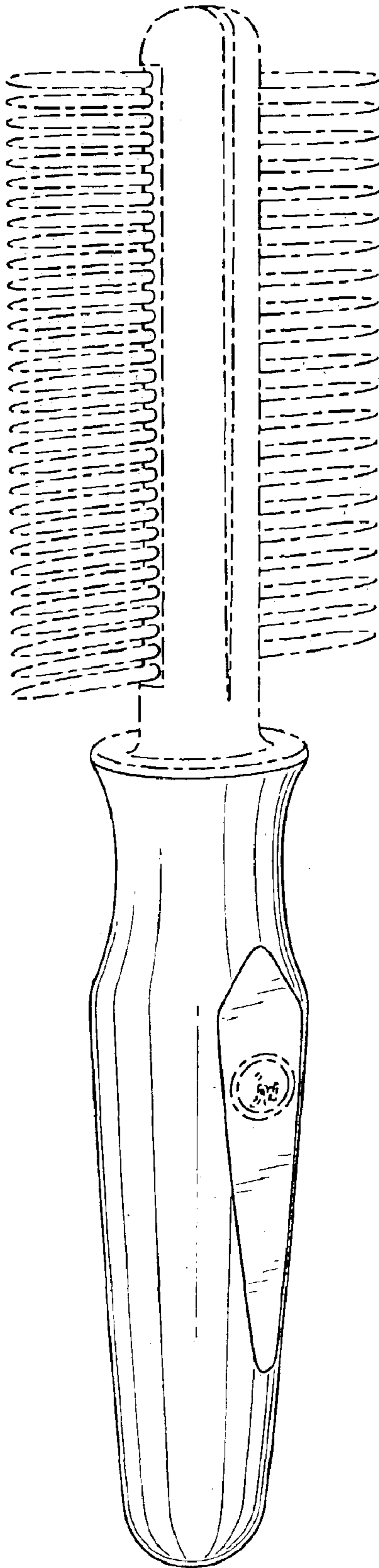


FIG. 1

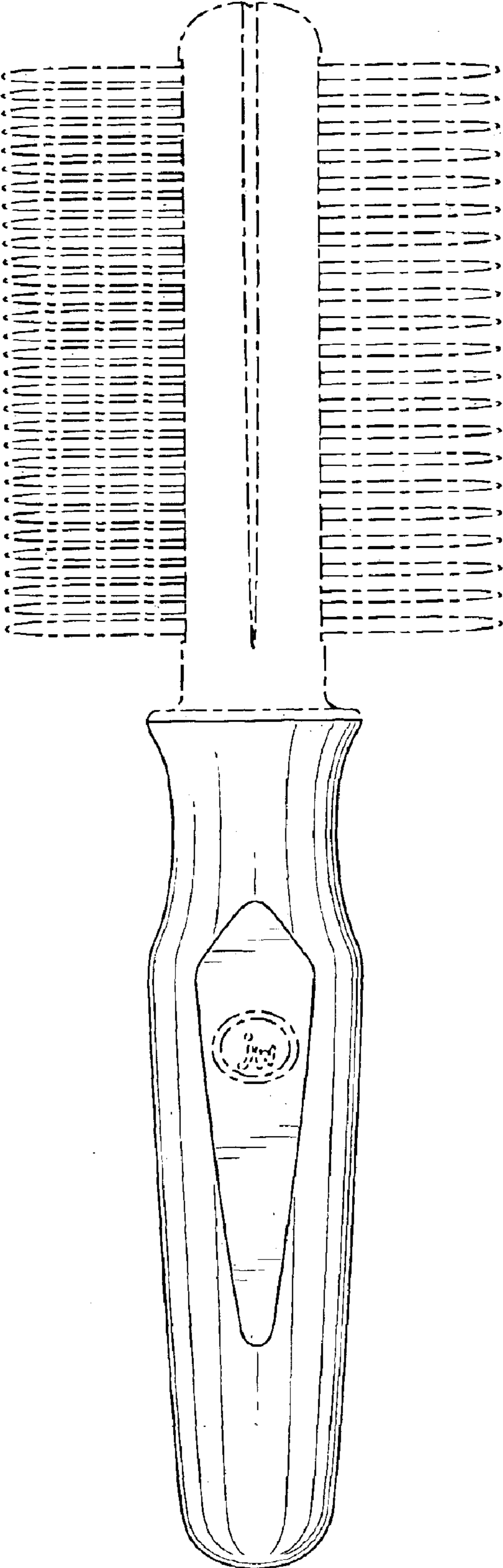


FIG. 2

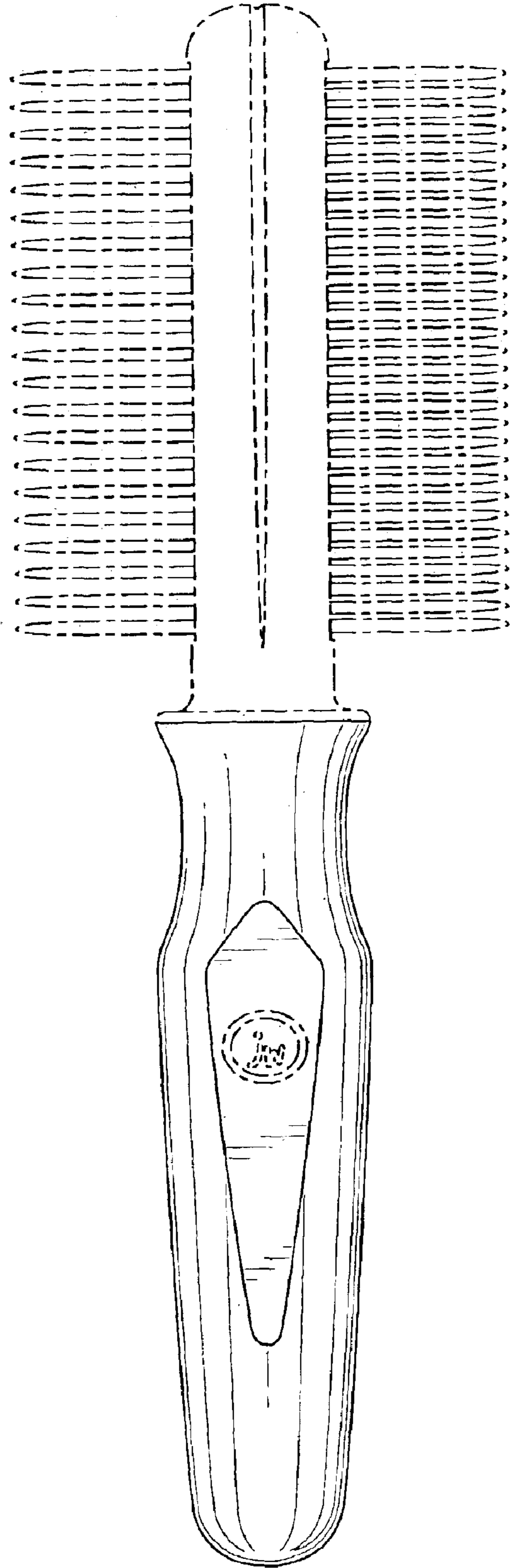


FIG. 3

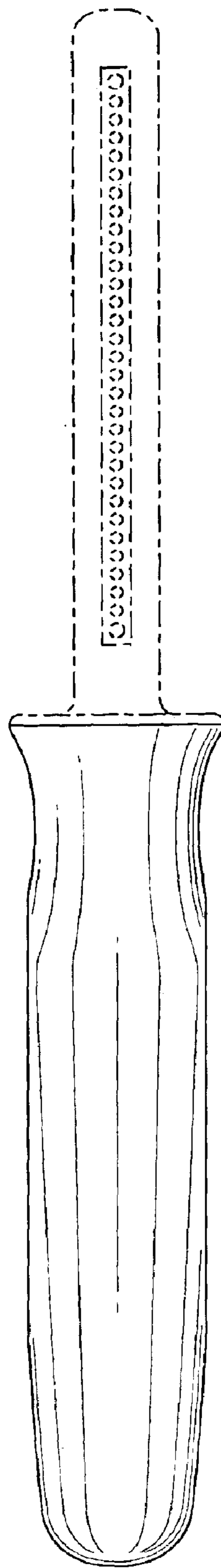


FIG. 4

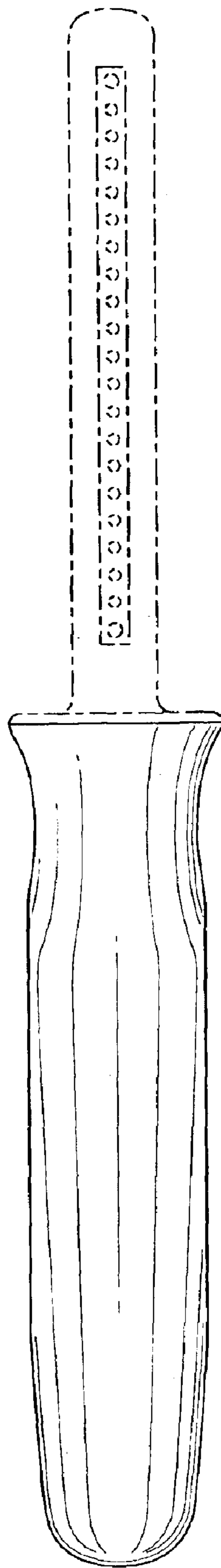


FIG. 5

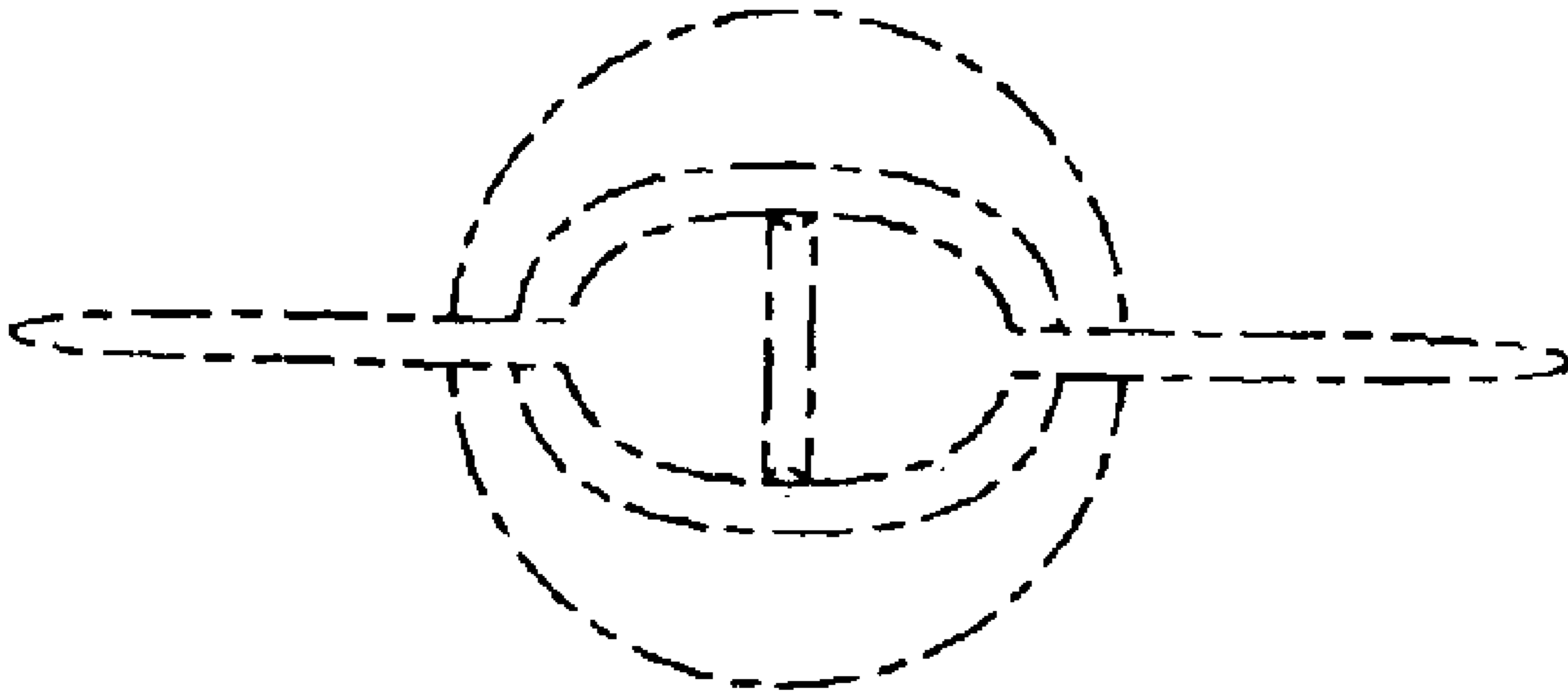


FIG. 6

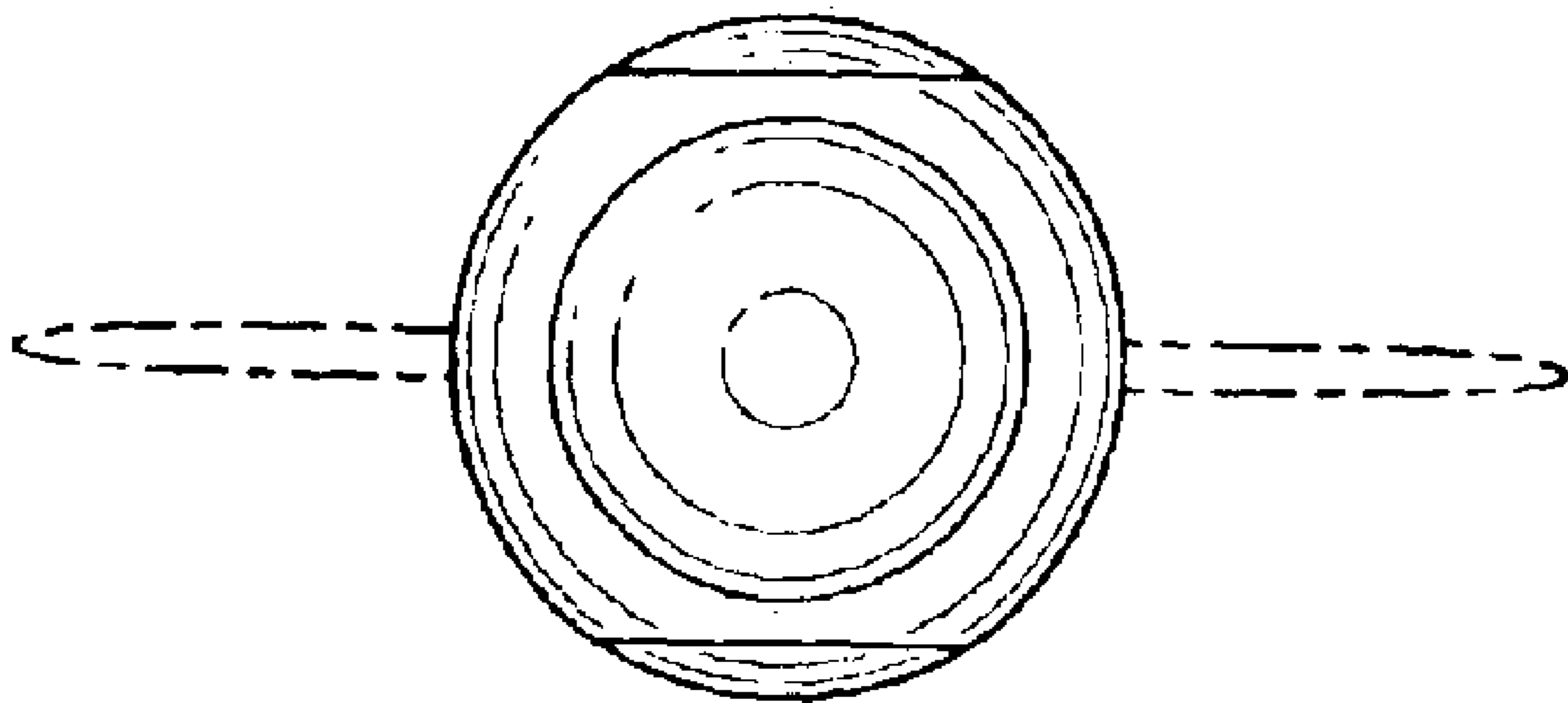


FIG. 7