



US00D507673S

(12) **United States Design Patent**
Martin

(10) **Patent No.:** **US D507,673 S**
(45) **Date of Patent:** **** Jul. 19, 2005**

(54) **BOOKLIGHT**

(75) Inventor: **Mark G. Martin**, Monrovia, CA (US)

(73) Assignee: **Sharper Image Corporation**, San Francisco, CA (US)

(**) Term: **14 Years**

(21) Appl. No.: **29/215,843**

(22) Filed: **Oct. 26, 2004**

(51) **LOC (8) Cl.** **26-05**

(52) **U.S. Cl.** **D26/60; D26/61**

(58) **Field of Search** D26/60-66; 362/98,
362/99, 191, 269, 274, 277, 282, 287, 396,
418, 419, 427, 428, 430

(56) **References Cited**

U.S. PATENT DOCUMENTS

4,581,684	A	*	4/1986	Mazzucco	362/98
D397,468	S	*	8/1998	Zeller	D26/60
D408,567	S	*	4/1999	Coe	D26/60
D428,177	S	*	7/2000	Chan	D26/60
6,213,618	B1	*	4/2001	Dobbin et al.	362/99
D486,260	S	*	2/2004	Christianson et al.	D26/60
6,736,531	B2	*	5/2004	Wallach	362/414

OTHER PUBLICATIONS

Carson Optical LRT Translucent Booklights. Found online at helpfindit.com on Feb. 10, 2005.*

* cited by examiner

Primary Examiner—Clare E Heflin

(74) *Attorney, Agent, or Firm*—Bell, Boyd & Lloyd LLC

(57) **CLAIM**

The ornamental design for a booklight, as shown and described.

DESCRIPTION

FIG. 1 is a front perspective view of a booklight in closed position, showing my new design;

FIG. 2 is a rear perspective view thereof;

FIG. 3 is a top view thereof;

FIG. 4 is a left side view thereof, and a right side view is a mirror image and thus omitted;

FIG. 5 is a bottom view thereof;

FIG. 6 is a front view thereof;

FIG. 7 is a rear view thereof;

FIG. 8 is a front perspective view of a booklight in open position, showing my new design;

FIG. 9 is a rear perspective view thereof;

FIG. 10 is a right side view thereof, and a left side view is a mirror image and thus omitted;

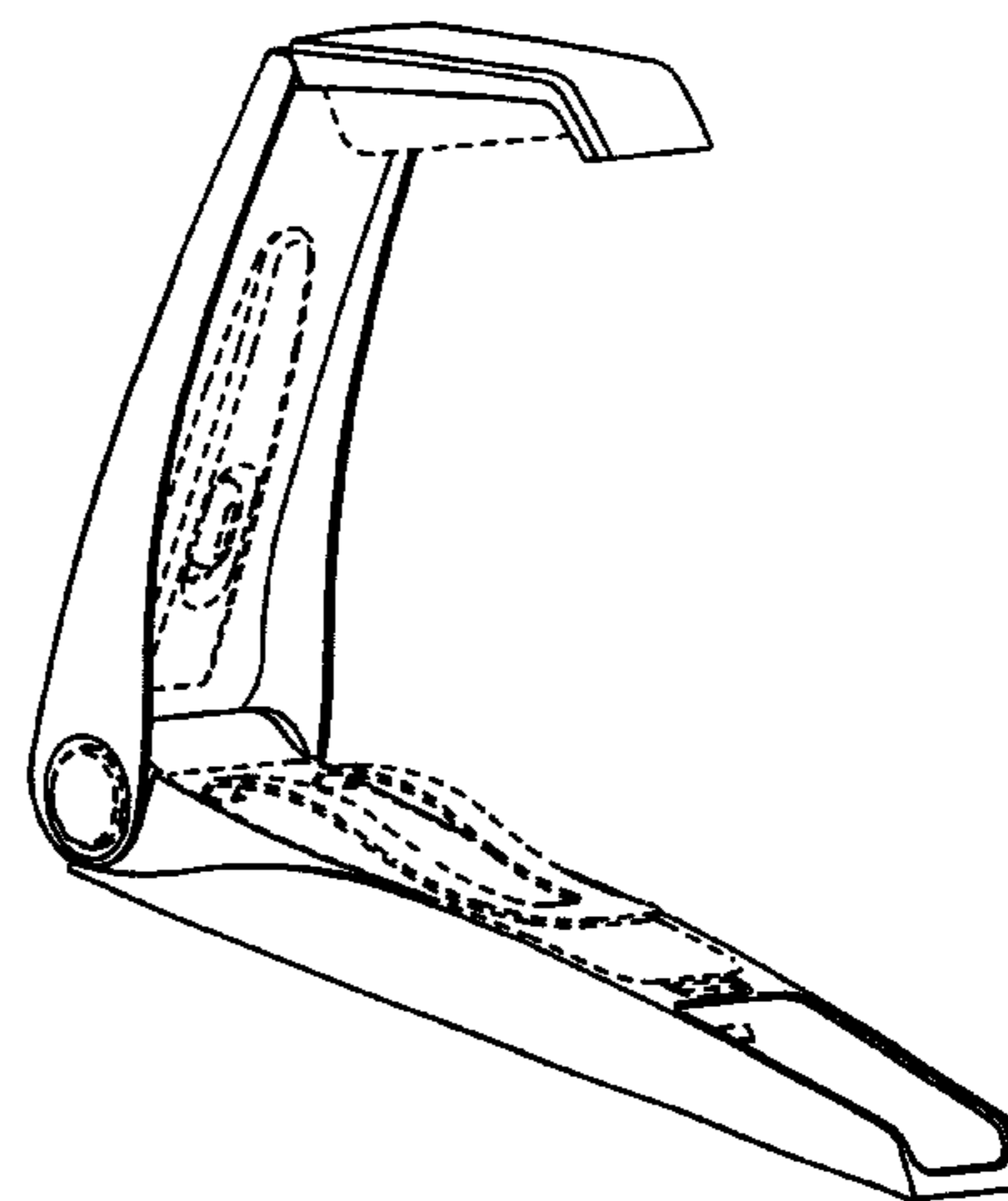
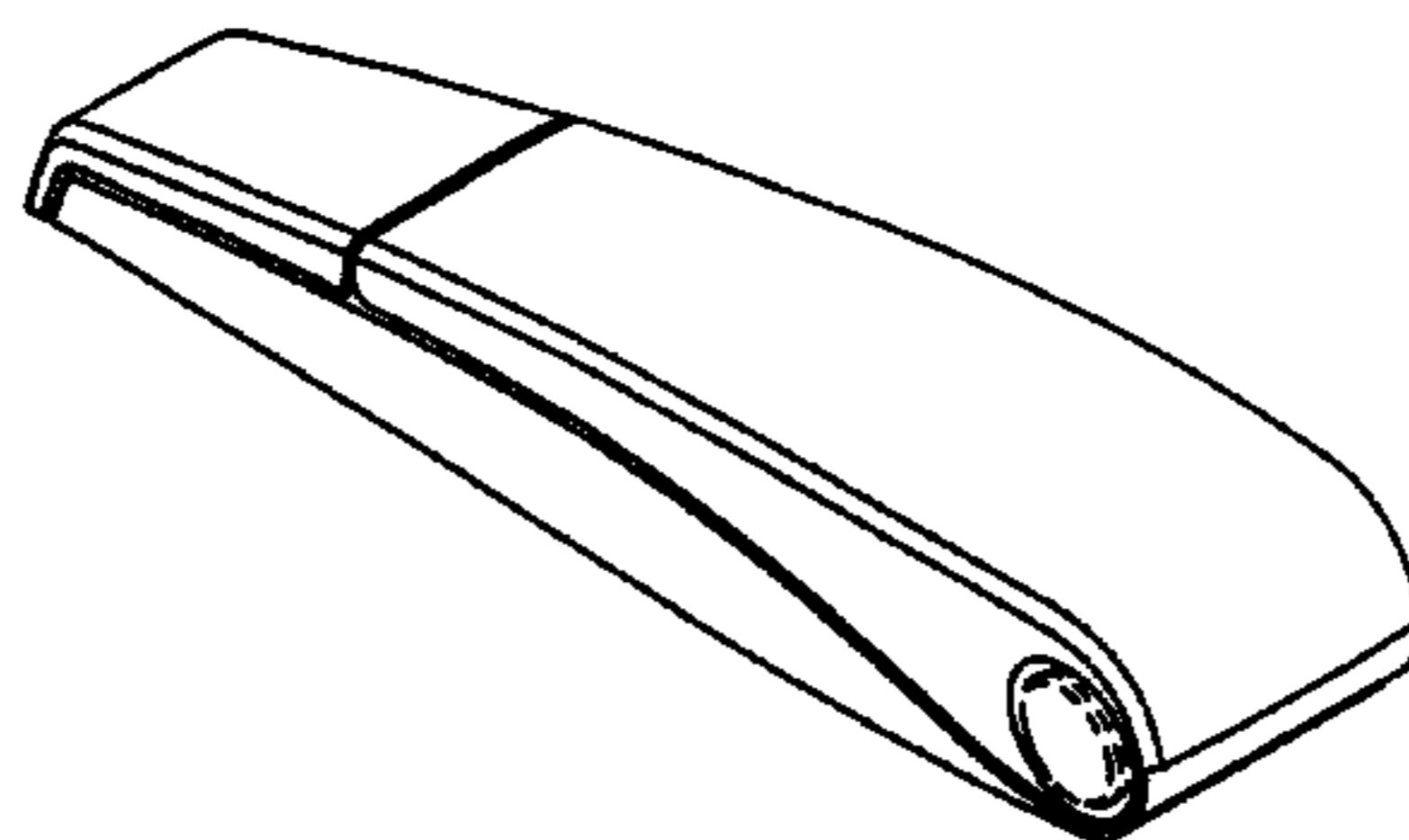
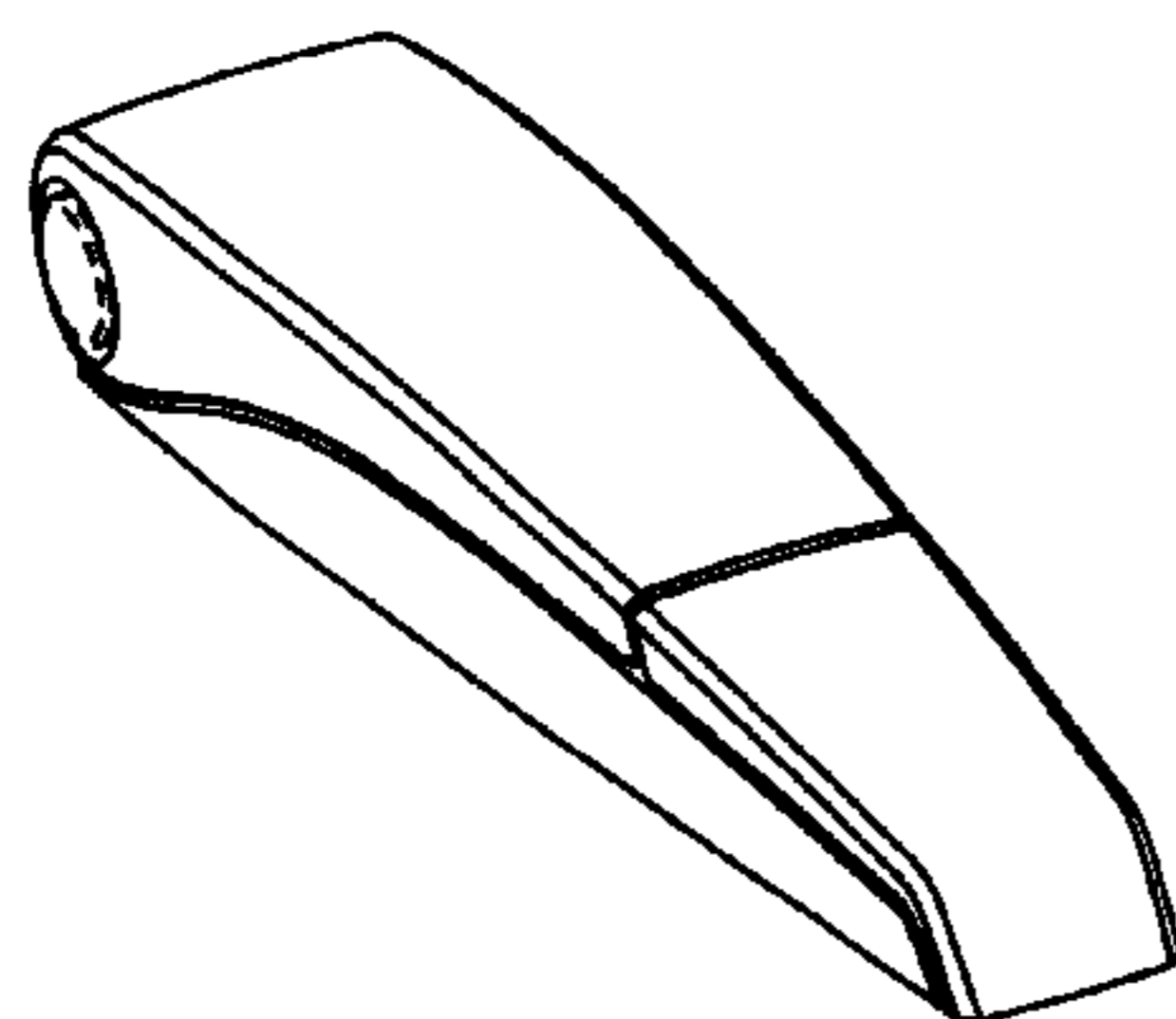
FIG. 11 is a top view thereof;

FIG. 12 is a front view thereof; and,

FIG. 13 is a rear view thereof.

The broken lines in FIGS. 1 to 13 are for illustrative purposes only and form no part of the claimed design.

1 Claim, 6 Drawing Sheets



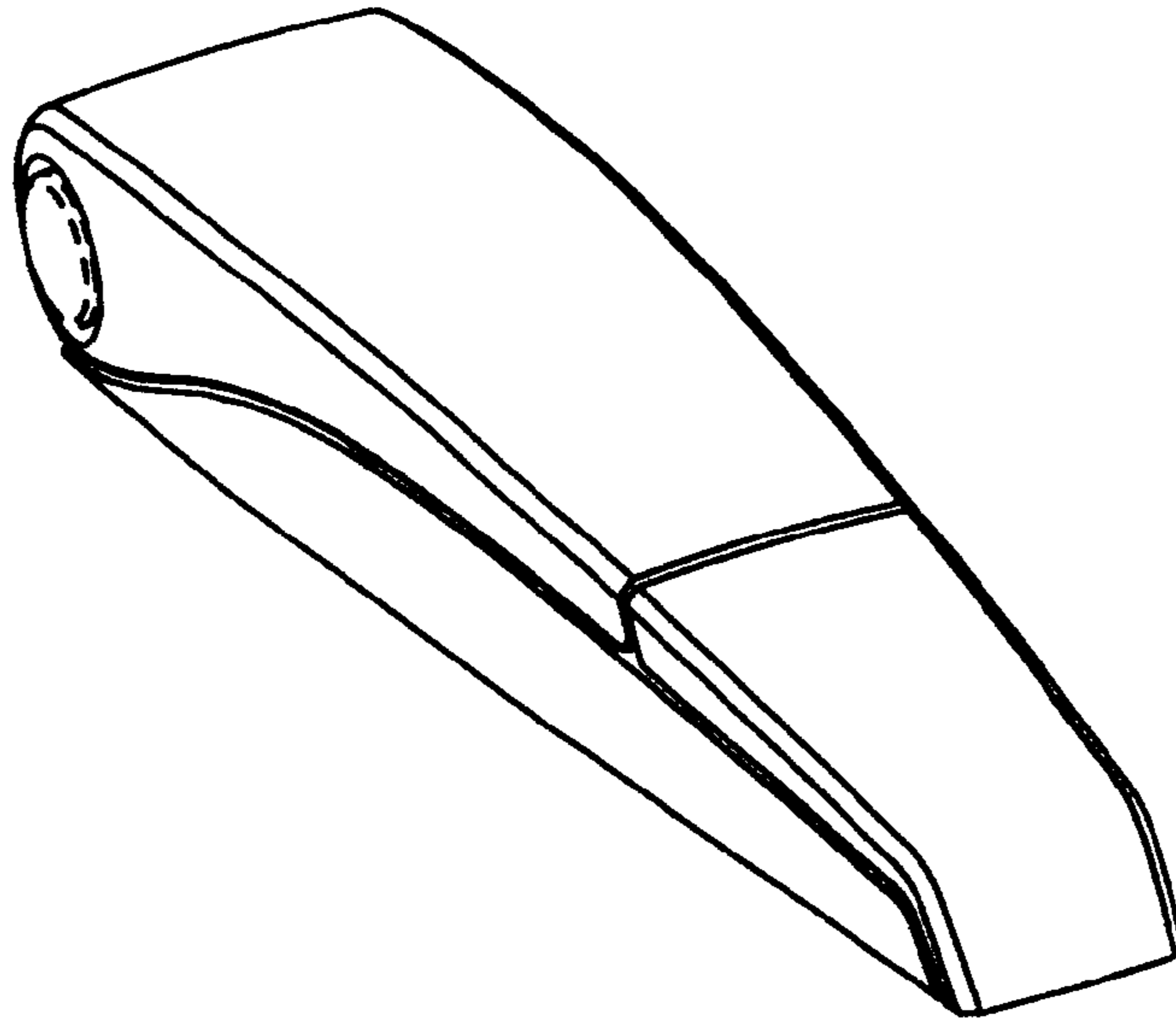


Fig. 1

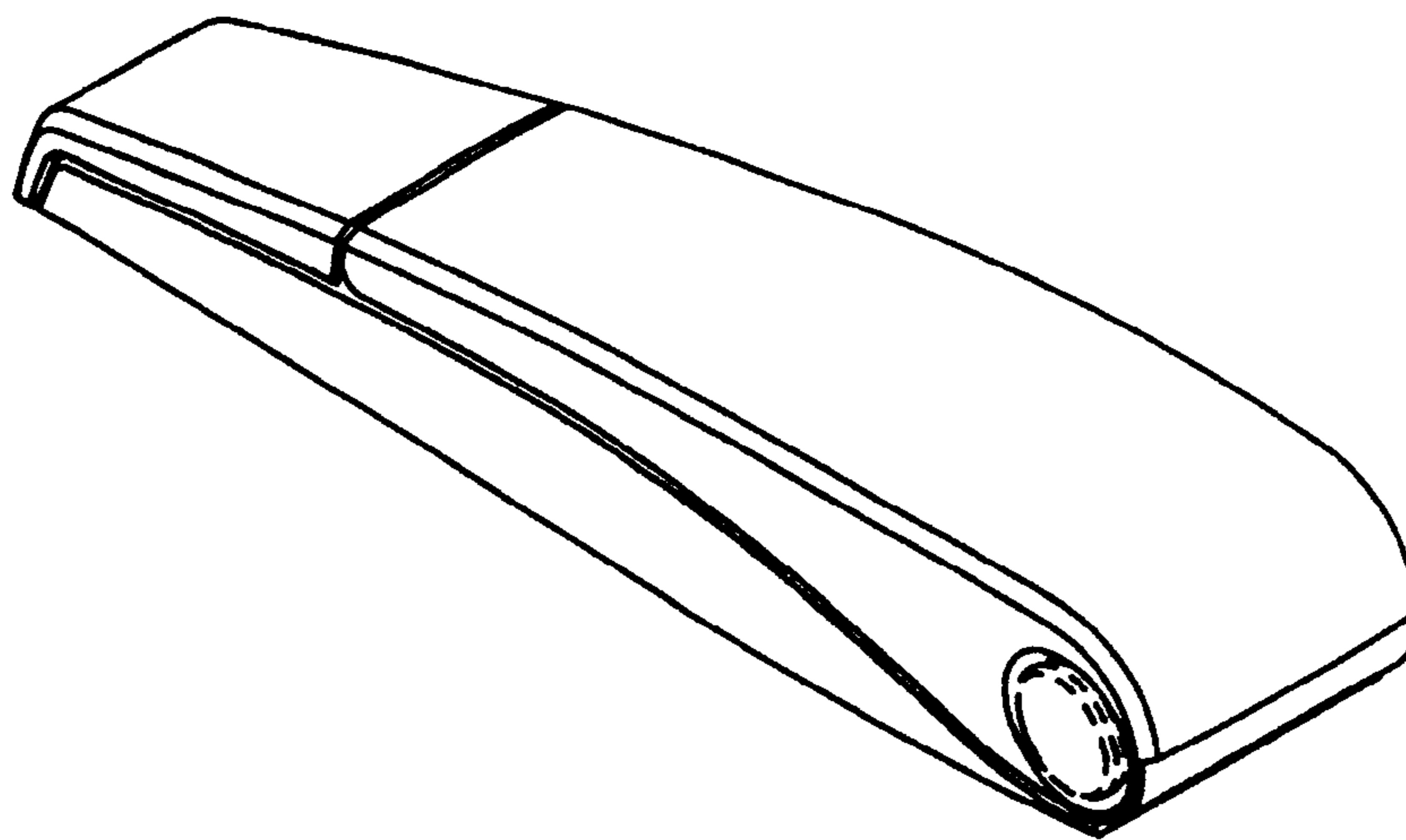


Fig. 2

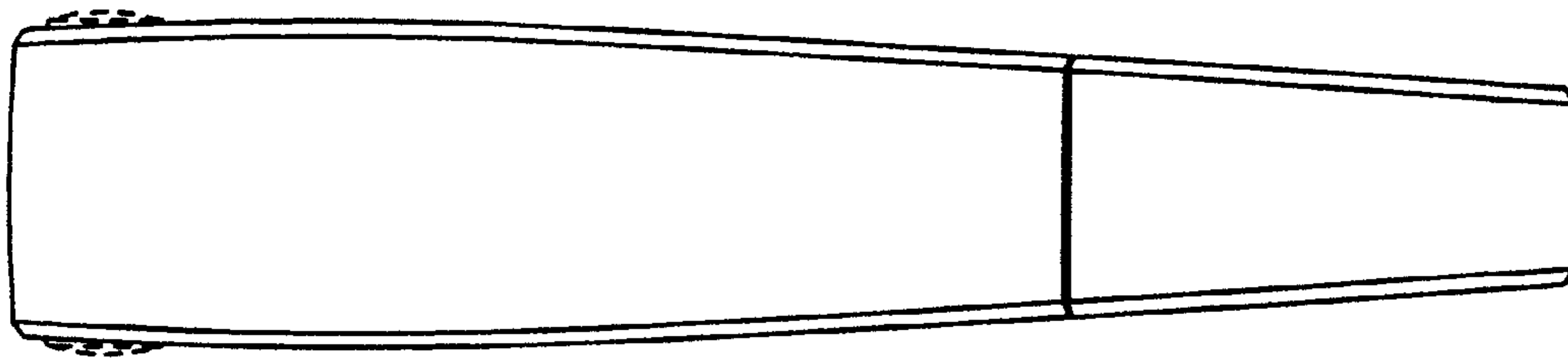


Fig. 3

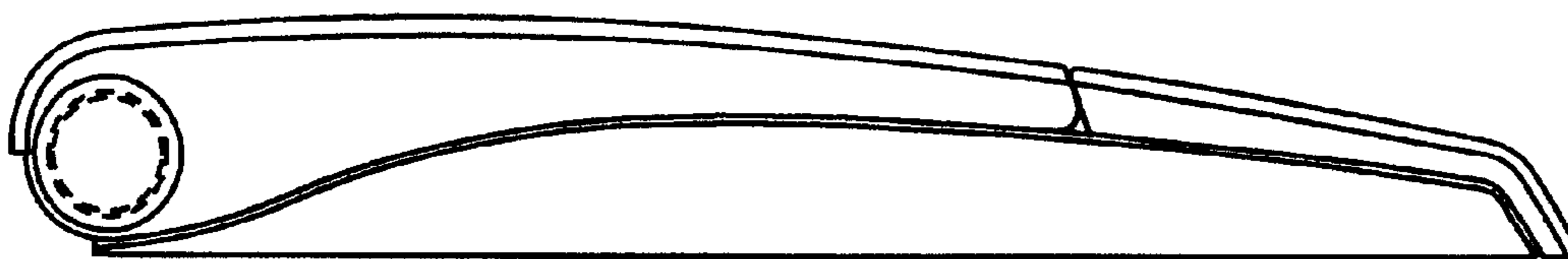


Fig. 4

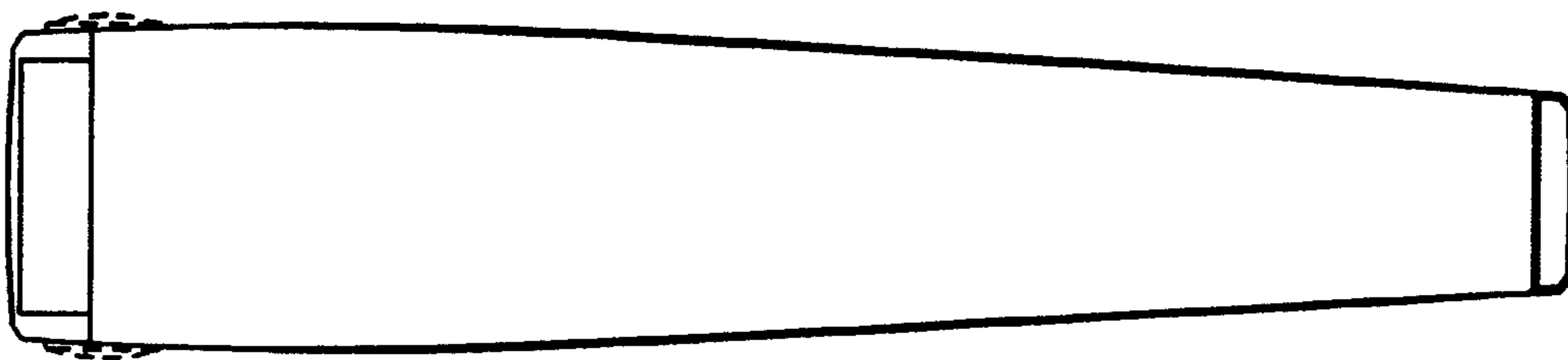


Fig. 5

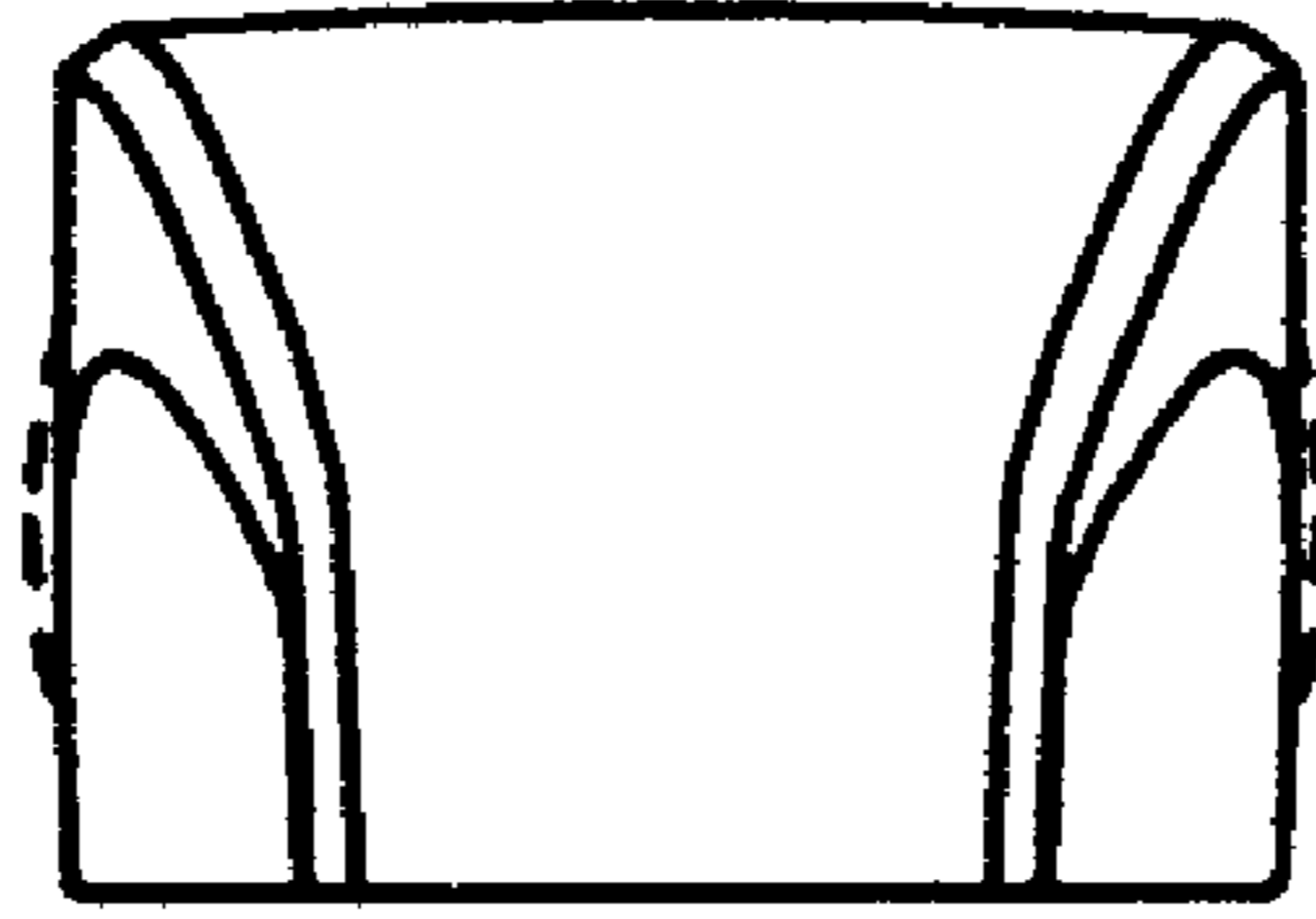


Fig. 6

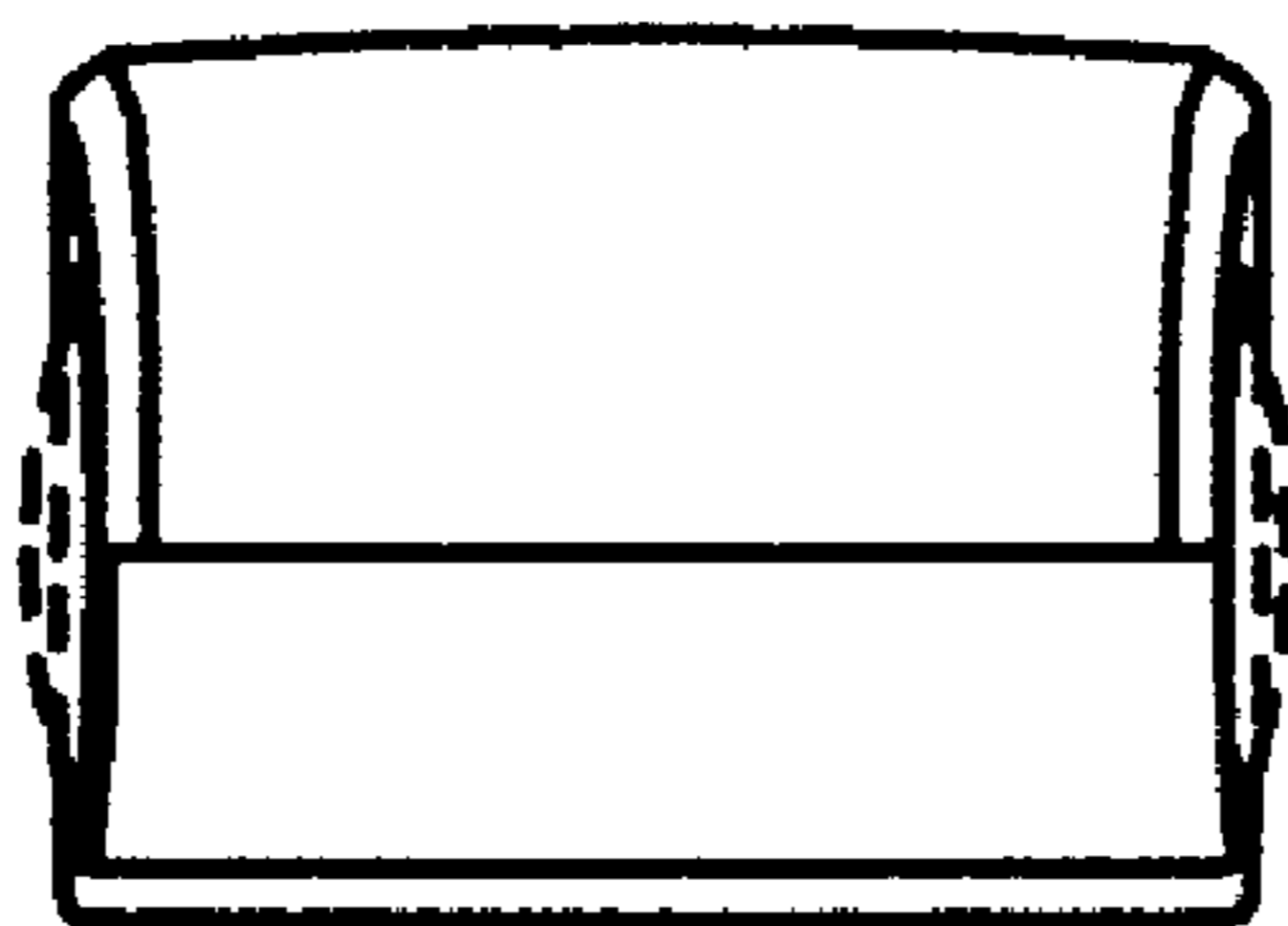


Fig. 7

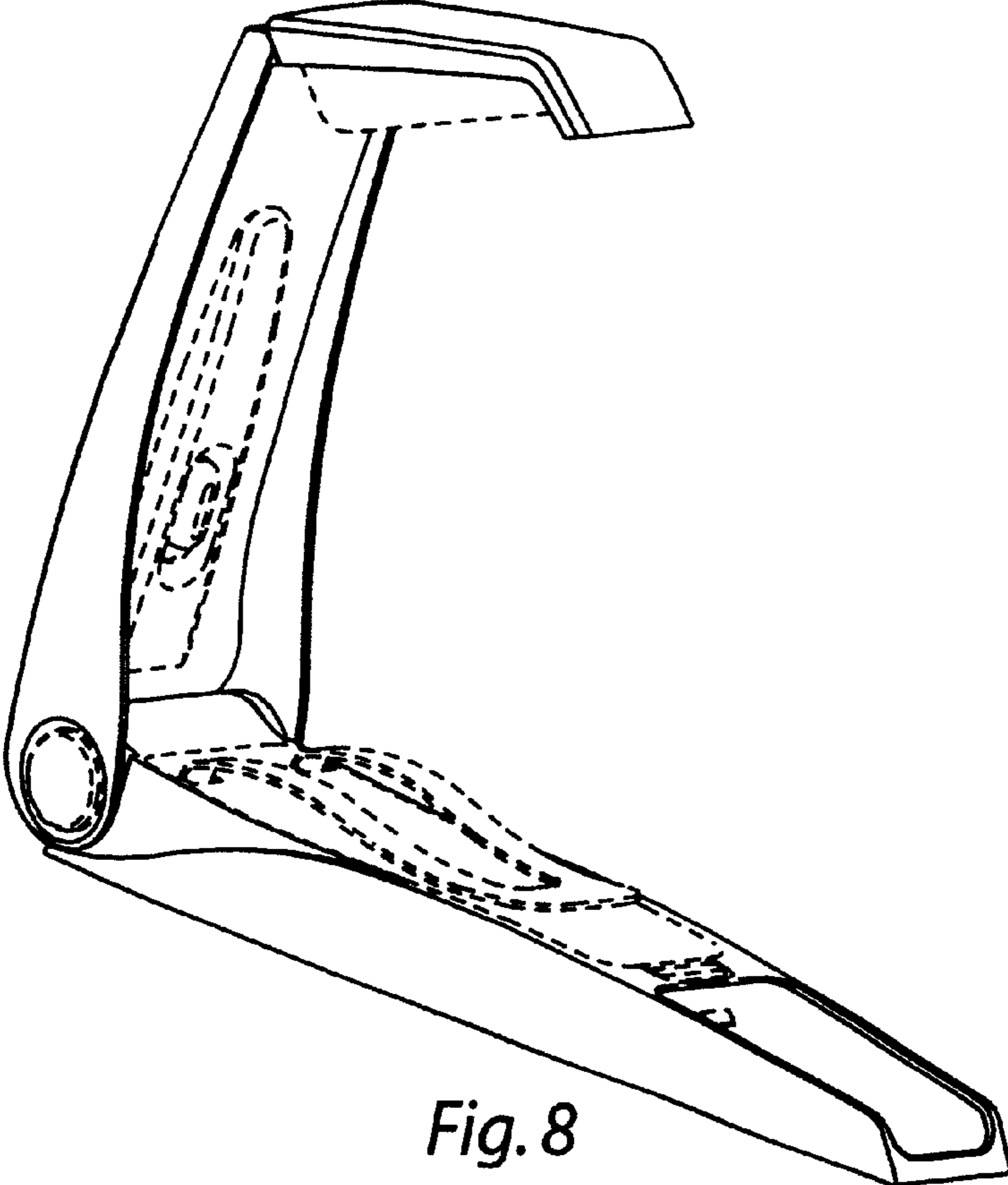


Fig. 8

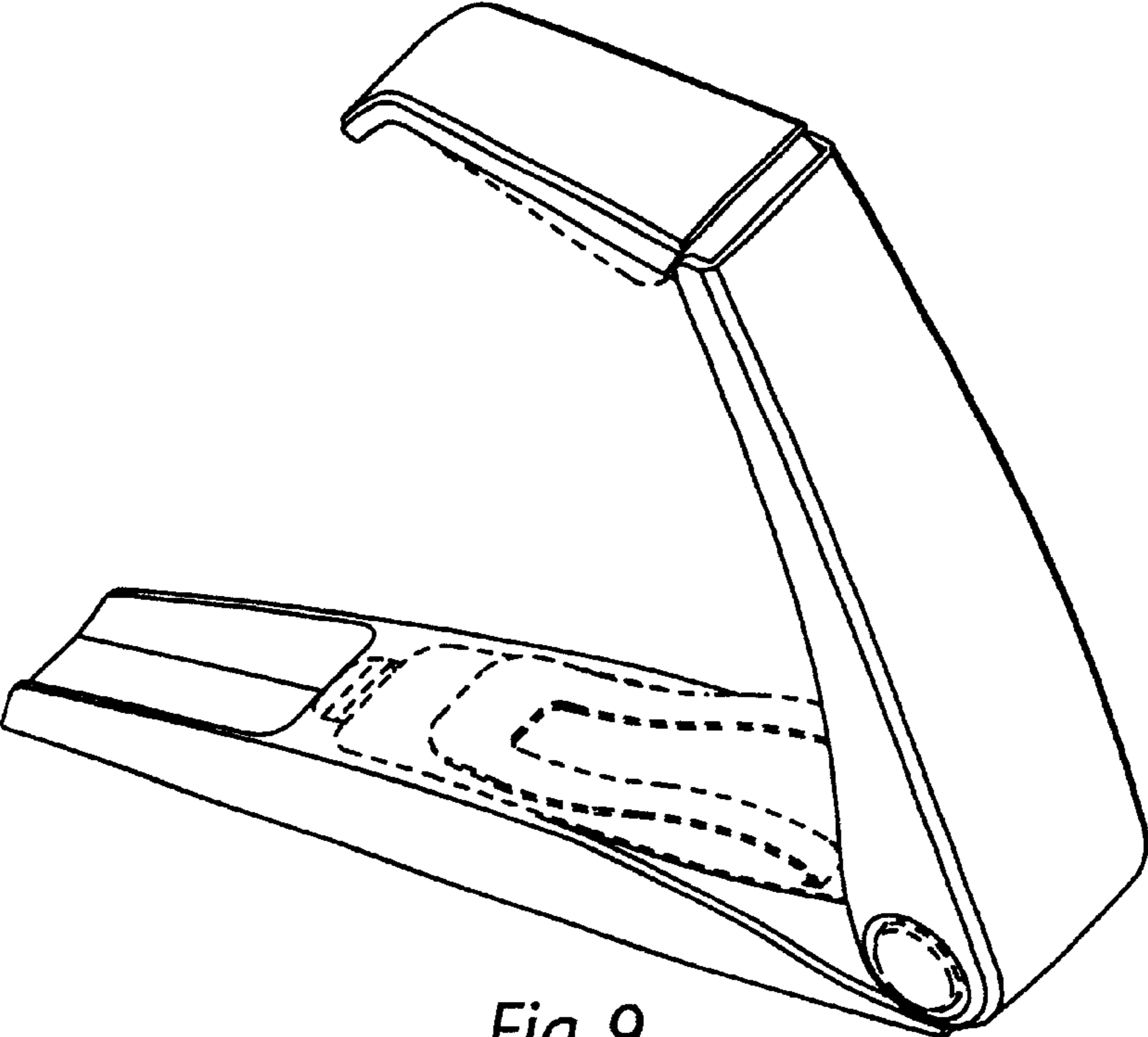


Fig. 9

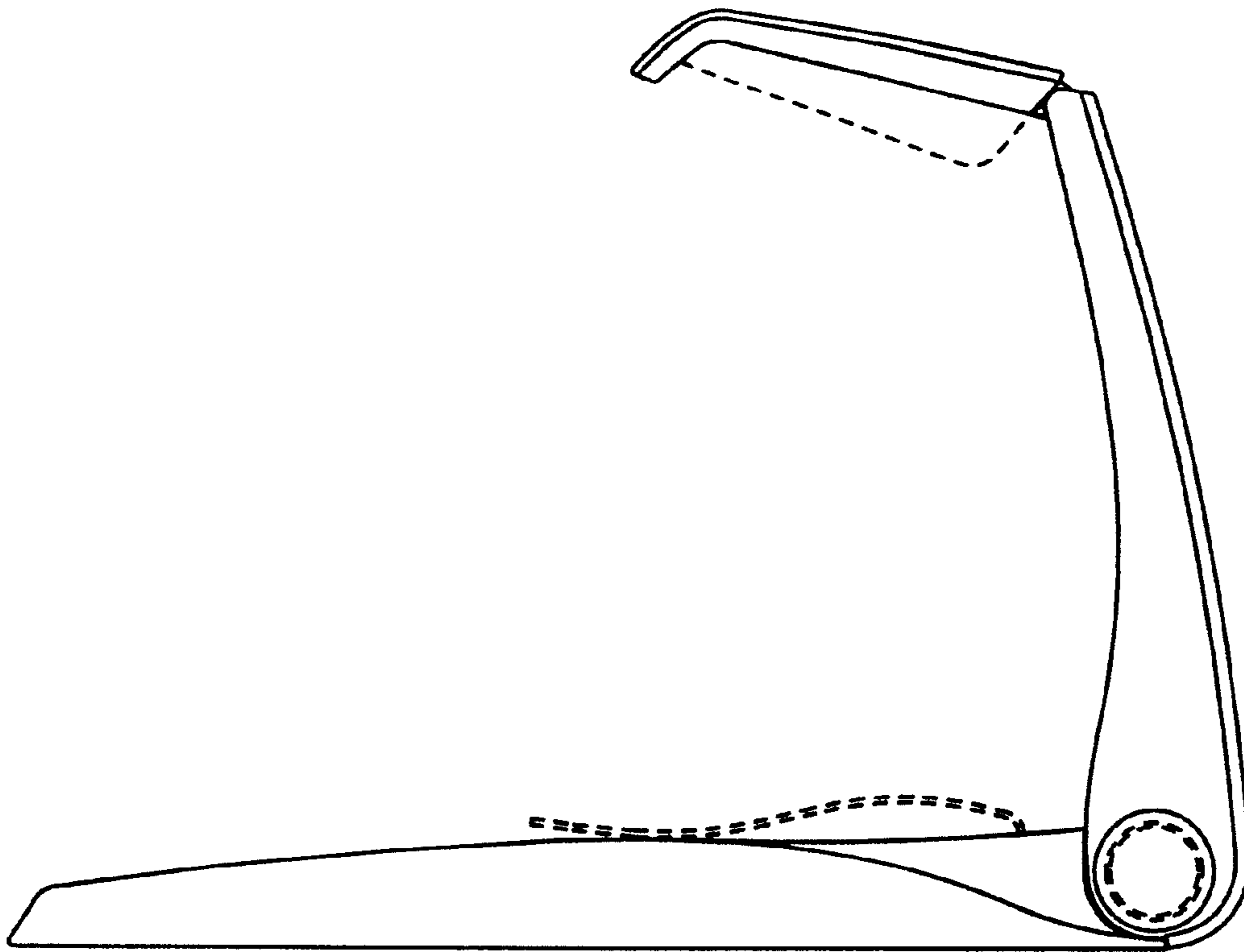


Fig. 10

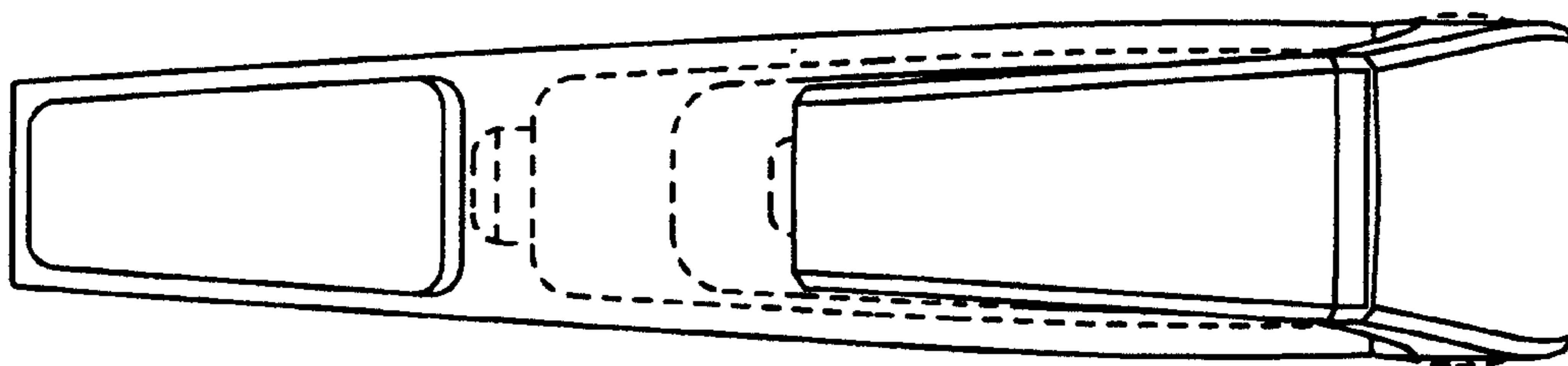


Fig. 11

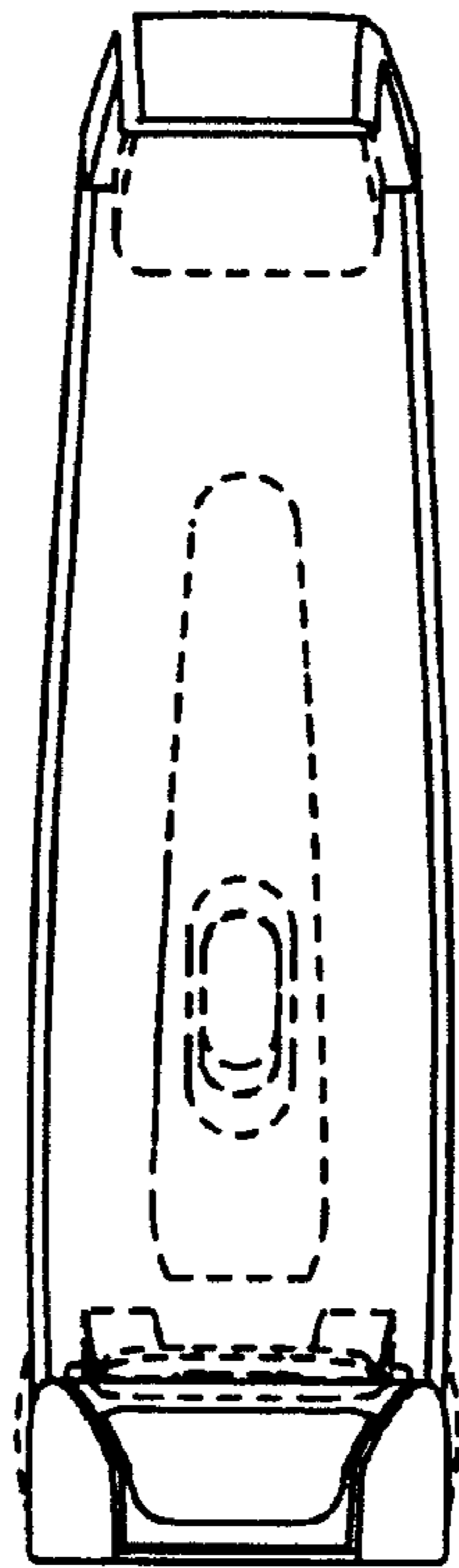


Fig. 12

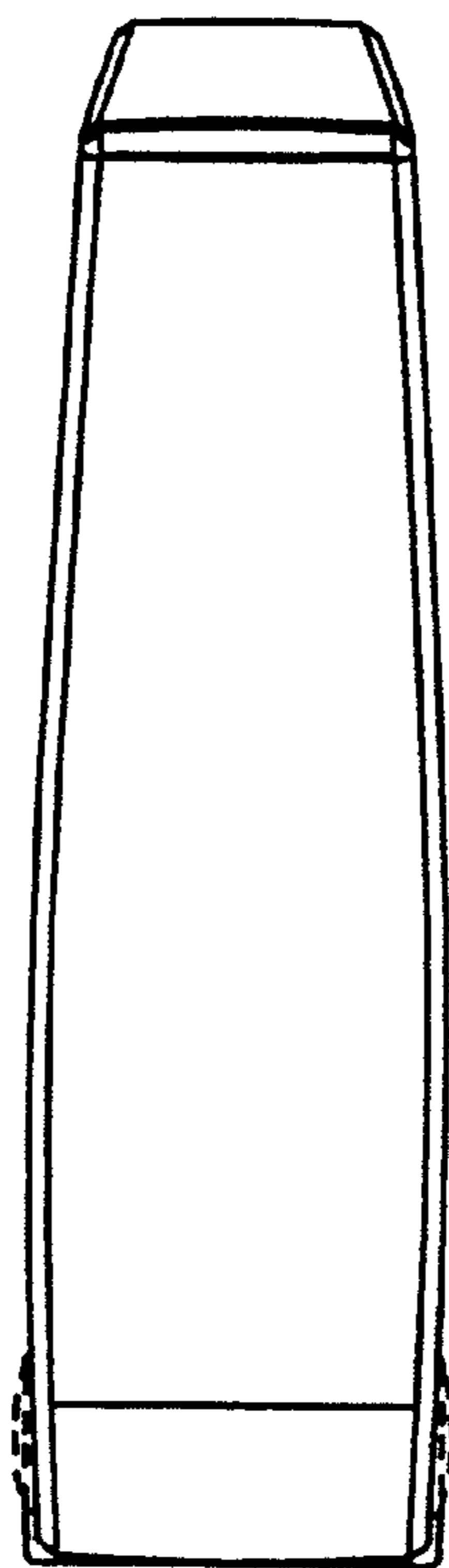


Fig. 13