

US00D507670S

(12) **United States Design Patent**  
**Huang**

(10) **Patent No.:** **US D507,670 S**  
(45) **Date of Patent:** **\*\* Jul. 19, 2005**

(54) **RECTANGLE MULTI-LED SPIDER MARKER LIGHT FOR VEHICLE**

(75) Inventor: **Nan Huang Huang**, Rancho Palos Verdes, CA (US)

(73) Assignee: **Grand General Accessories Manufacturing Inc.**, Compton, CA (US)

(\*\*) Term: **14 Years**

(21) Appl. No.: **29/217,932**

(22) Filed: **Nov. 22, 2004**

(51) **LOC (8) Cl.** ..... **29-06**

(52) **U.S. Cl.** ..... **D26/28**

(58) **Field of Search** ..... D26/28-36; 362/457-468, 362/475-477, 485-487

(56) **References Cited**

**U.S. PATENT DOCUMENTS**

- D439,994 S \* 4/2001 Huang ..... D26/28
- D445,924 S \* 7/2001 Oh ..... D26/28
- D500,153 S \* 12/2004 Stephens et al. .... D26/28

\* cited by examiner

*Primary Examiner*—Marcus A. Jackson  
(74) *Attorney, Agent, or Firm*—Thomas I. Rozsa; Tony D. Chen

(57) **CLAIM**

The ornamental design for a rectangle multi-LED spider marker light for vehicle, as shown and described.

**DESCRIPTION**

FIG. 1 is a perspective view of my invention of a new ornamental design of a rectangle multi-light emitting diodes (LEDs) “spider” marker light for vehicle;

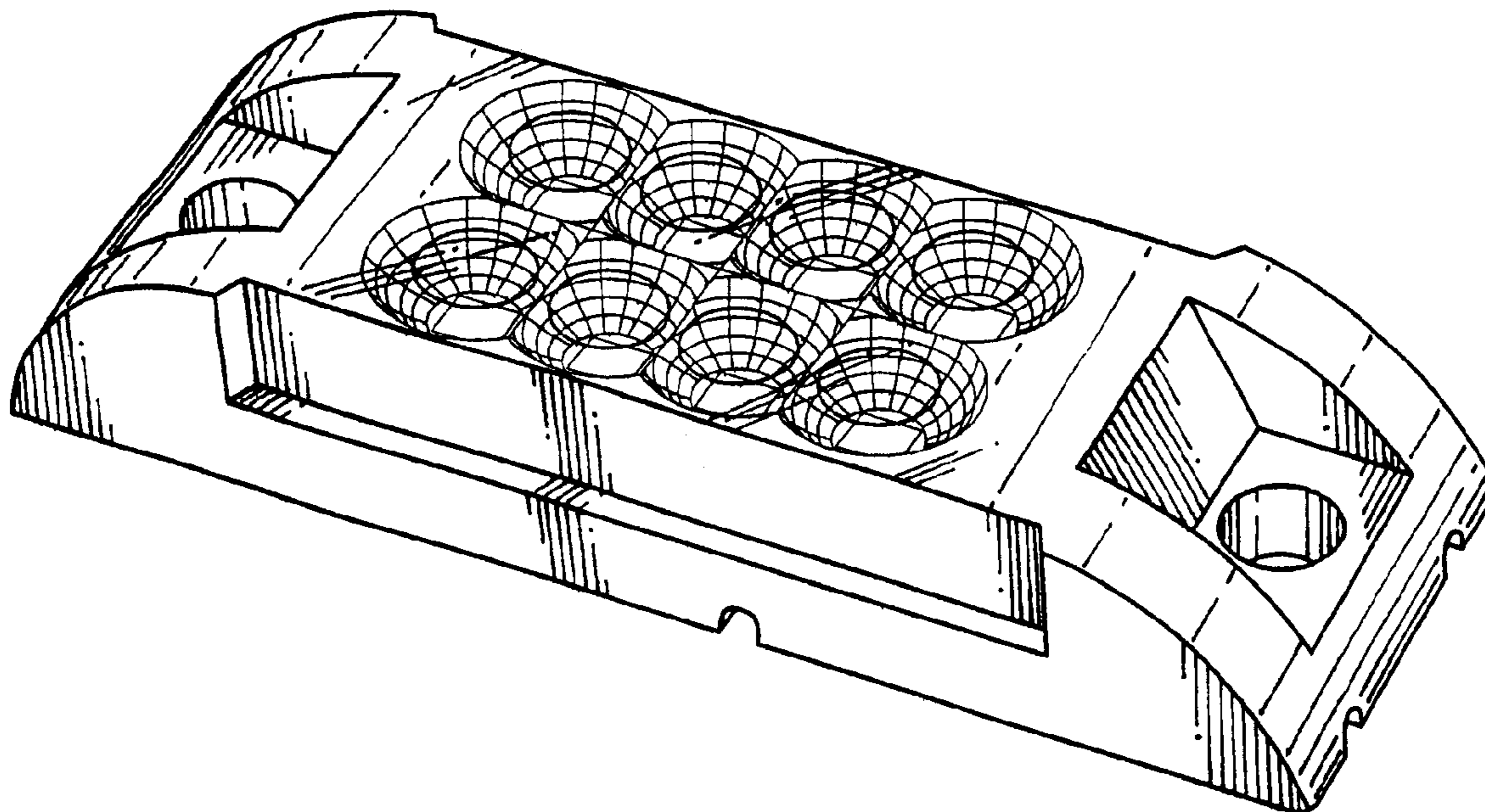
FIG. 2 is a top view of my new ornamental design shown in FIG. 1;

FIG. 3 is a bottom view of my new ornamental design shown in FIG. 1;

FIG. 4 is a front elevation view of my new ornamental design shown in FIG. 1, the opposite back elevation view being identical; and,

FIG. 5 is a right end elevation view of my new ornamental design shown in FIG. 1, the opposite left end elevation view being identical.

**1 Claim, 1 Drawing Sheet**



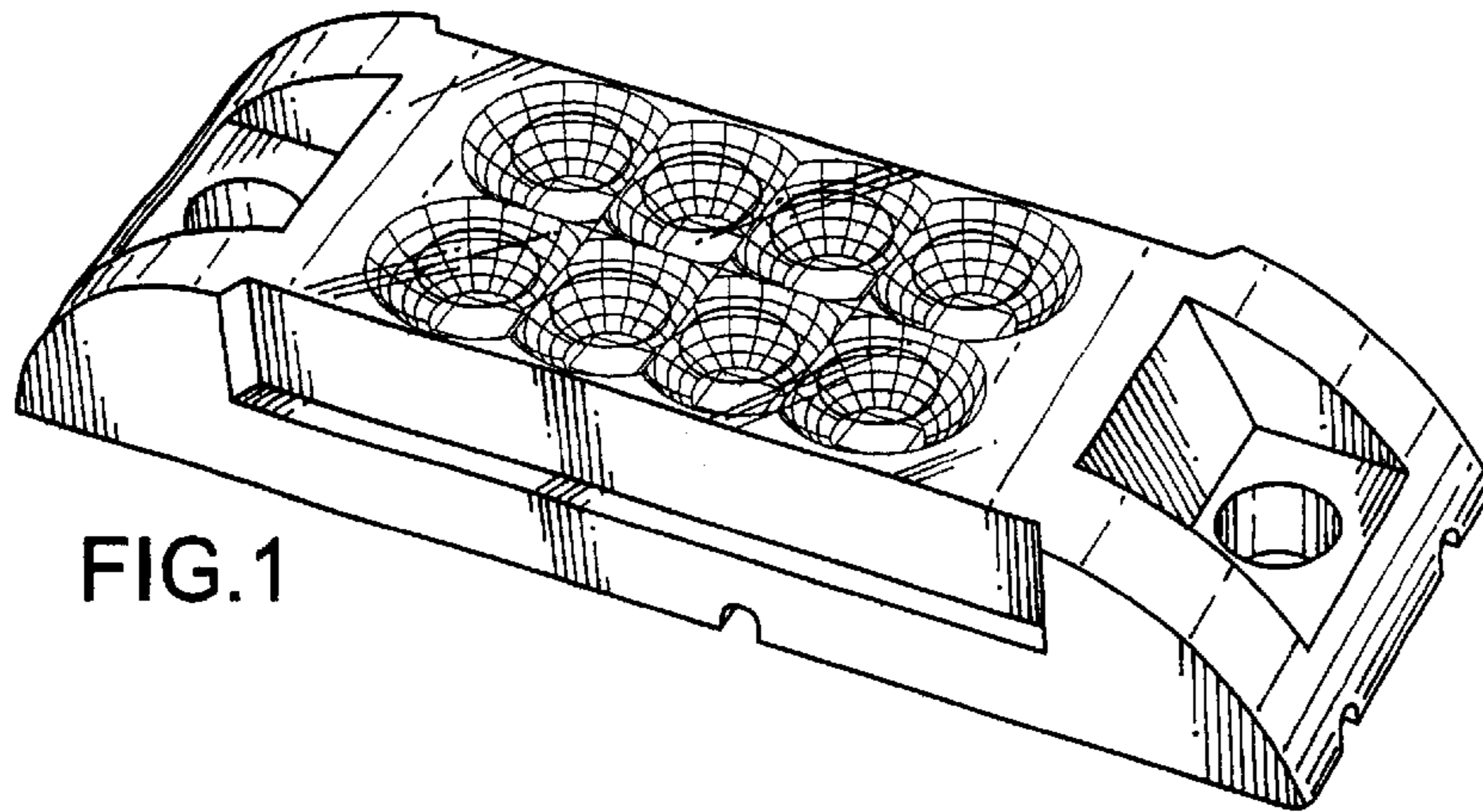


FIG. 1

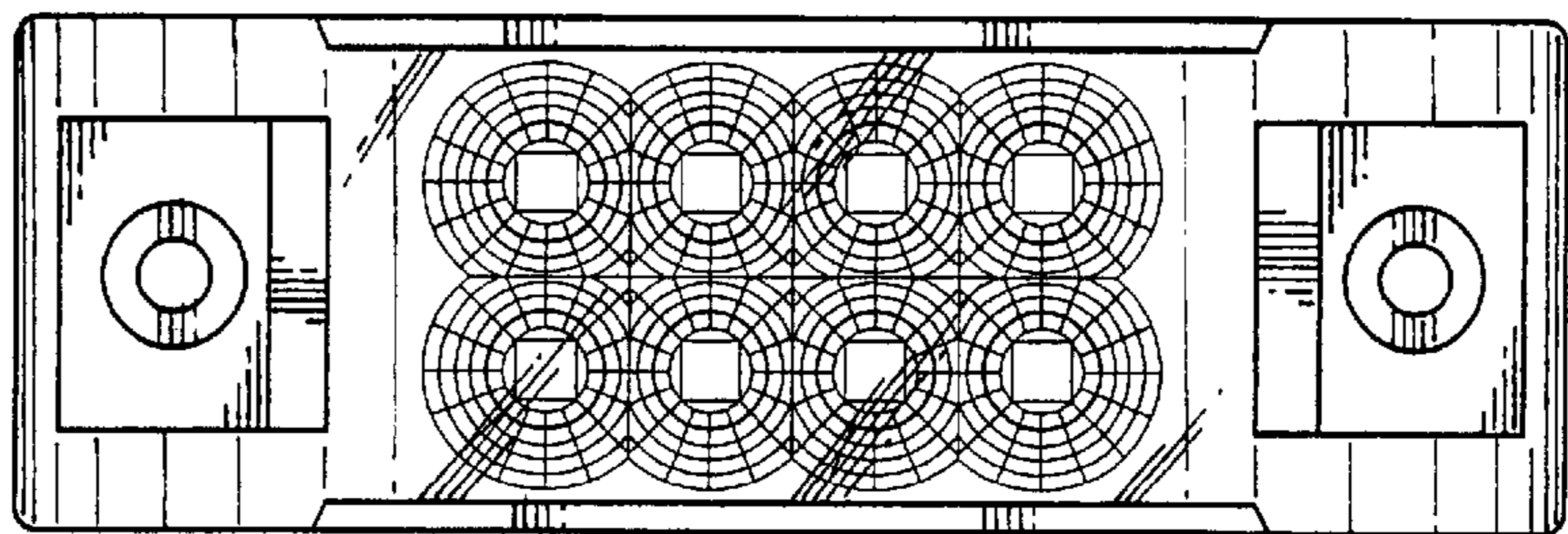


FIG. 2

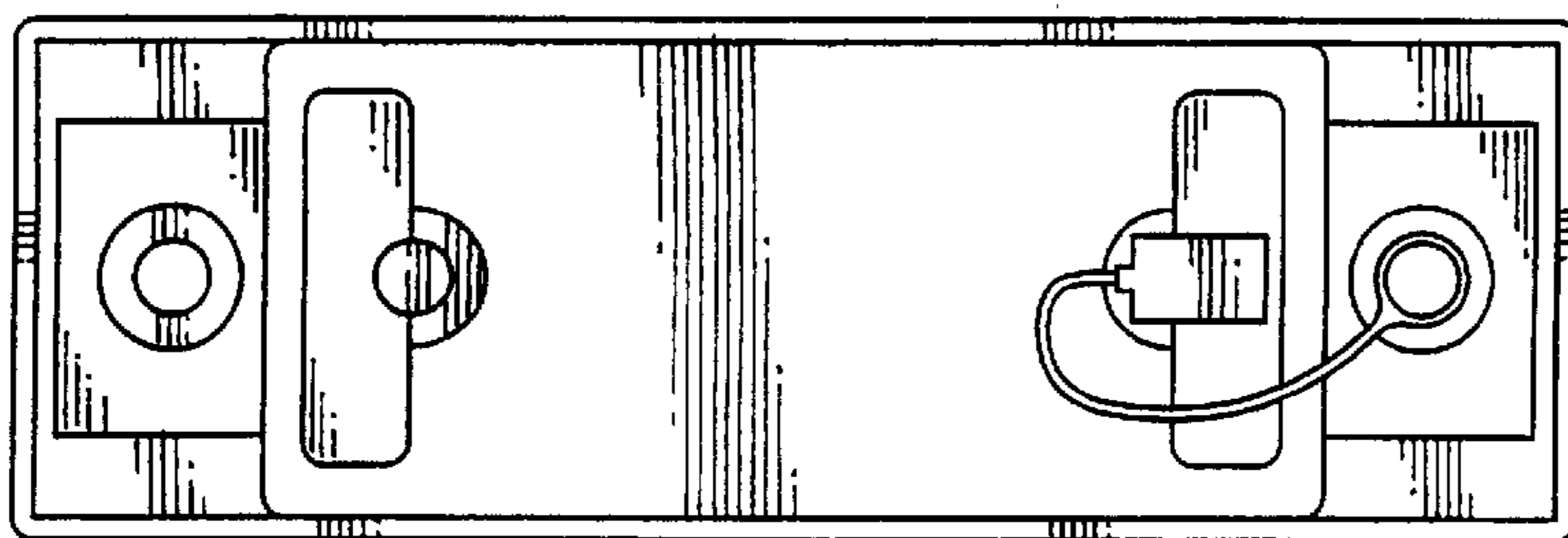


FIG. 3

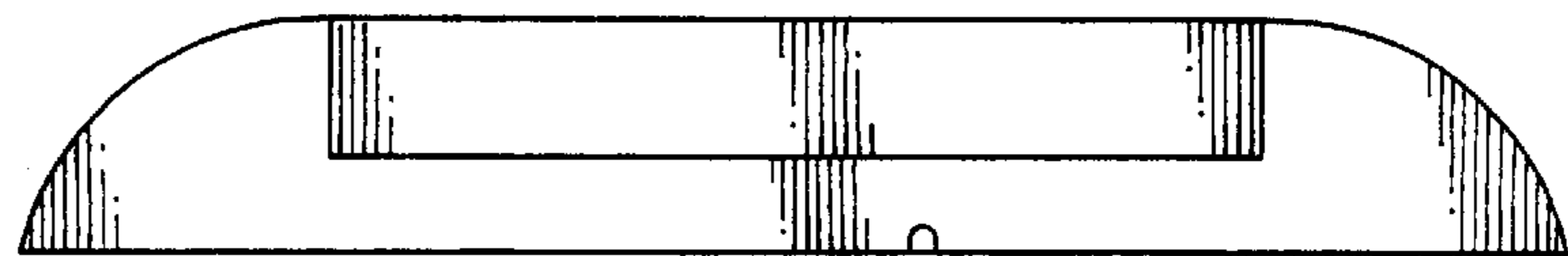


FIG. 4



FIG. 5