

US00D507669S

(12) **United States Design Patent**
Van Dyn Hoven

(10) **Patent No.:** **US D507,669 S**
(45) **Date of Patent:** **** Jul. 19, 2005**

(54) **LIGHT STRING**

(75) **Inventor:** **Victoria Jean Van Dyn Hoven,**
Stevens Point, WI (US)

(73) **Assignee:** **Vickie Jean's Creations, Inc.,** Plover,
WI (US)

(**) **Term:** **14 Years**

(21) **Appl. No.:** **29/194,642**

(22) **Filed:** **Nov. 26, 2003**

(51) **LOC (8) Cl.** **26-05**

(52) **U.S. Cl.** **D26/25; D26/73**

(58) **Field of Search** **D26/2-5, 26, 73;**
362/227, 252, 249, 806, 810, 569, 392,
393

(56) **References Cited**

U.S. PATENT DOCUMENTS

D60,925 S	*	5/1922	Campbell	D26/2
1,625,248 A	*	4/1927	Eckstein	439/574
D92,662 S	*	7/1934	Lander	D26/5
2,032,232 A	*	2/1936	Strickland	439/619
D178,832 S	*	9/1956	Glorklint	D26/60
3,435,286 A	*	3/1969	Kayatt	315/47
4,590,545 A	*	5/1986	Scheer	362/392
5,152,602 A	*	10/1992	Boschetto	362/276
5,645,343 A		7/1997	Rinehimer		
6,033,088 A		3/2000	Contigiani		
D462,131 S	*	8/2002	Huang et al.	D26/5
D476,094 S	*	6/2003	Baarman et al.	D26/2

6,595,658 B2		7/2003	Tsai		
6,617,803 B2	*	9/2003	Harris	362/806
6,808,297 B2	*	10/2004	Jensen et al.	362/392
2003/0016537 A1	*	1/2003	Liu	362/311

OTHER PUBLICATIONS

Vickie Jean's Creations, Inc. Catalog, Jan. 1, 2002, 12 pages.
Vickie Jean's Creations, Inc. Catalog, 2002, 20 pages.
<http://www.moonscent.net> site, MOONSCENT Scented
Candle Light Bulbs, 9 pages.

* cited by examiner

Primary Examiner—Clare E Heflin

(74) *Attorney, Agent, or Firm*—Foley & Lardner LLP

(57) **CLAIM**

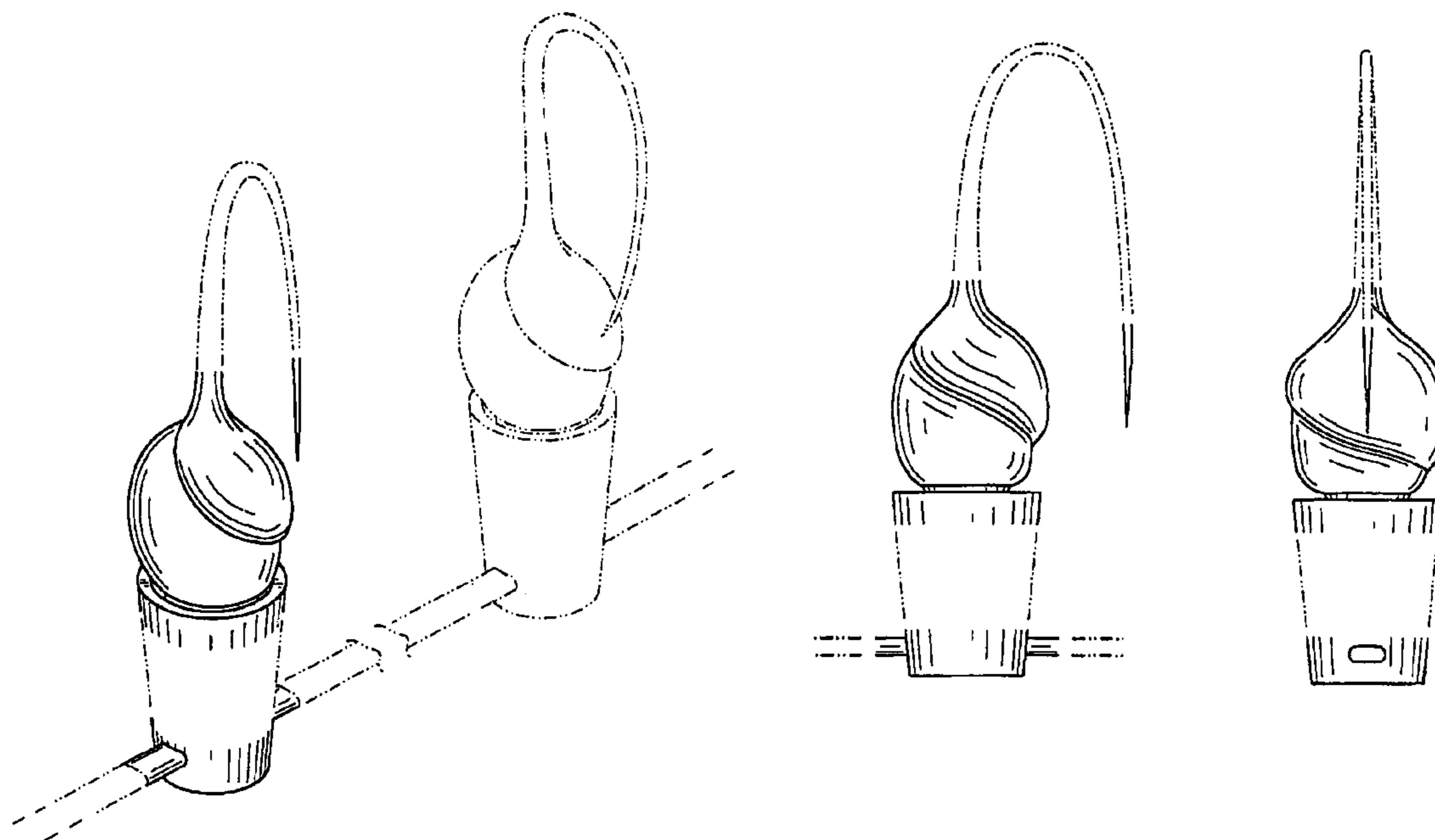
We claim the ornamental design for a light string, as shown
and described.

DESCRIPTION

FIG. 1 is a perspective view of a light string;
FIG. 2 is a front view of the design of FIG. 1;
FIG. 3 is a right side view of the design of FIG. 1;
FIG. 4 is a back view of the design of FIG. 1;
FIG. 5 is a left side view of the design of FIG. 1;
FIG. 6 is a top view of the design of FIG. 1; and,
FIG. 7 is a bottom view of the design of FIG. 1.

The ornamental design which is claimed is shown in solid
lines in the drawings. The broken lines in the drawings are
for illustrative purposes only and form no part of the claimed
design.

1 Claim, 3 Drawing Sheets



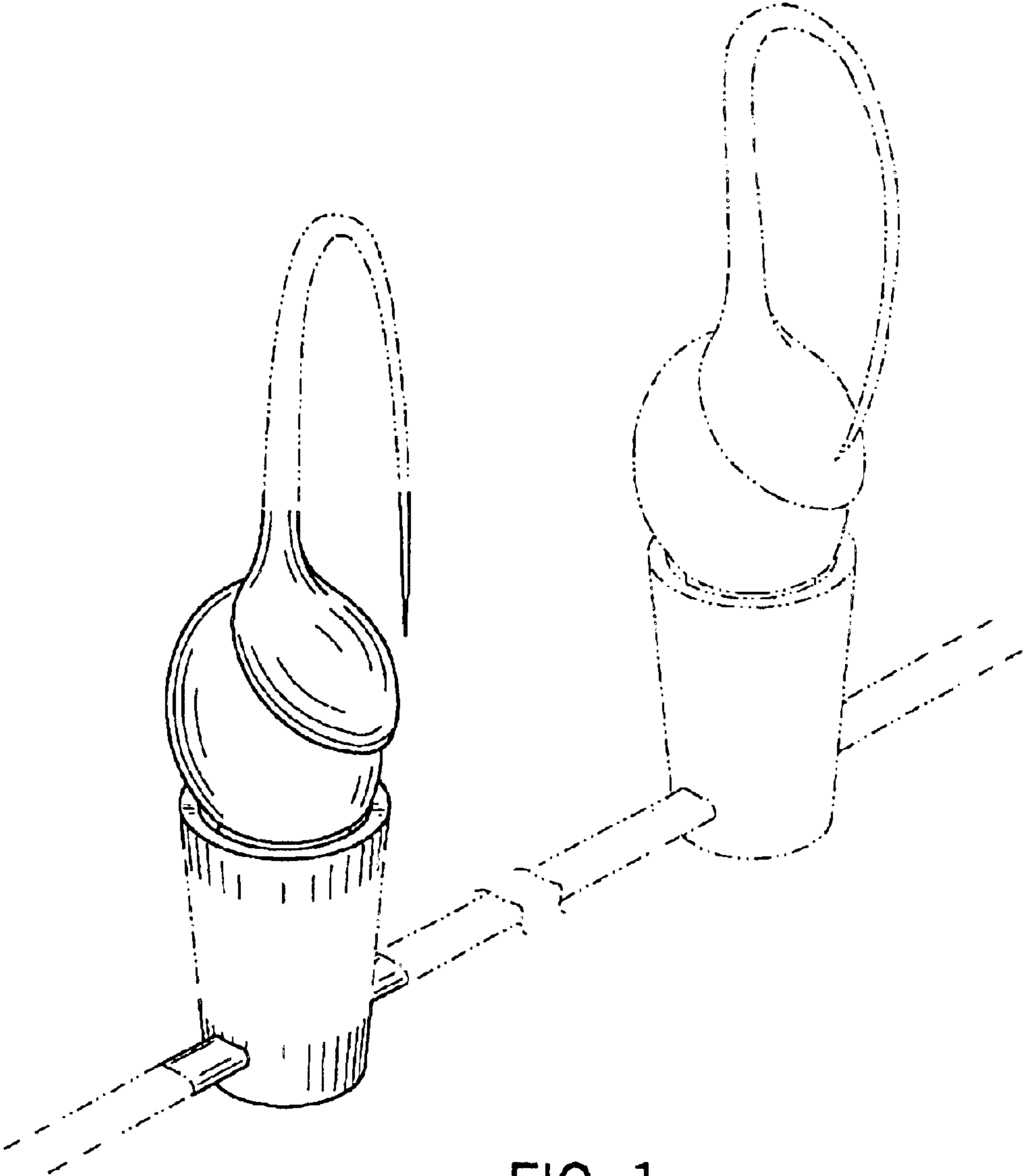


FIG. 1

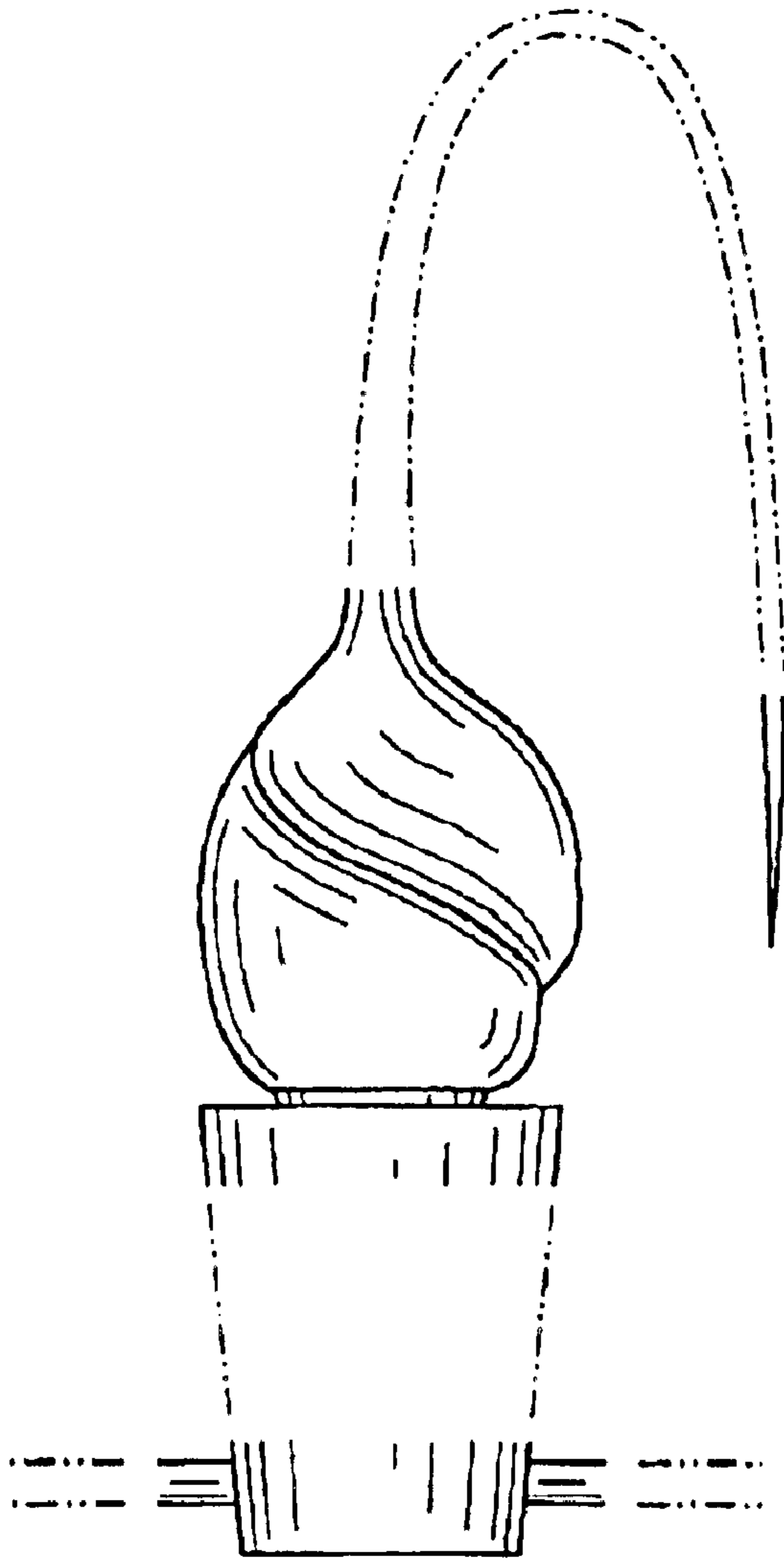


FIG. 2

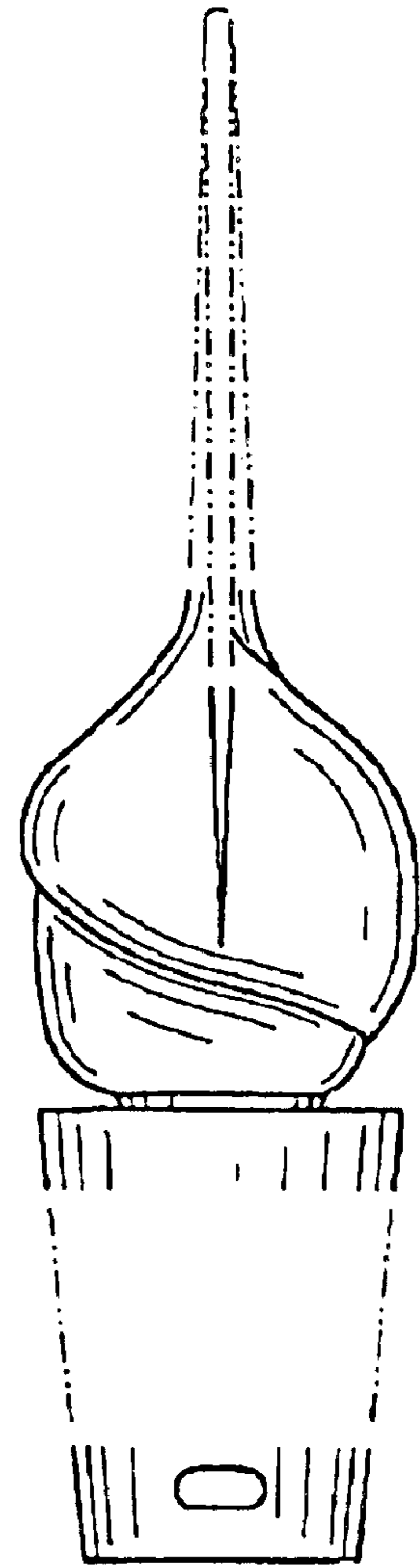


FIG. 3

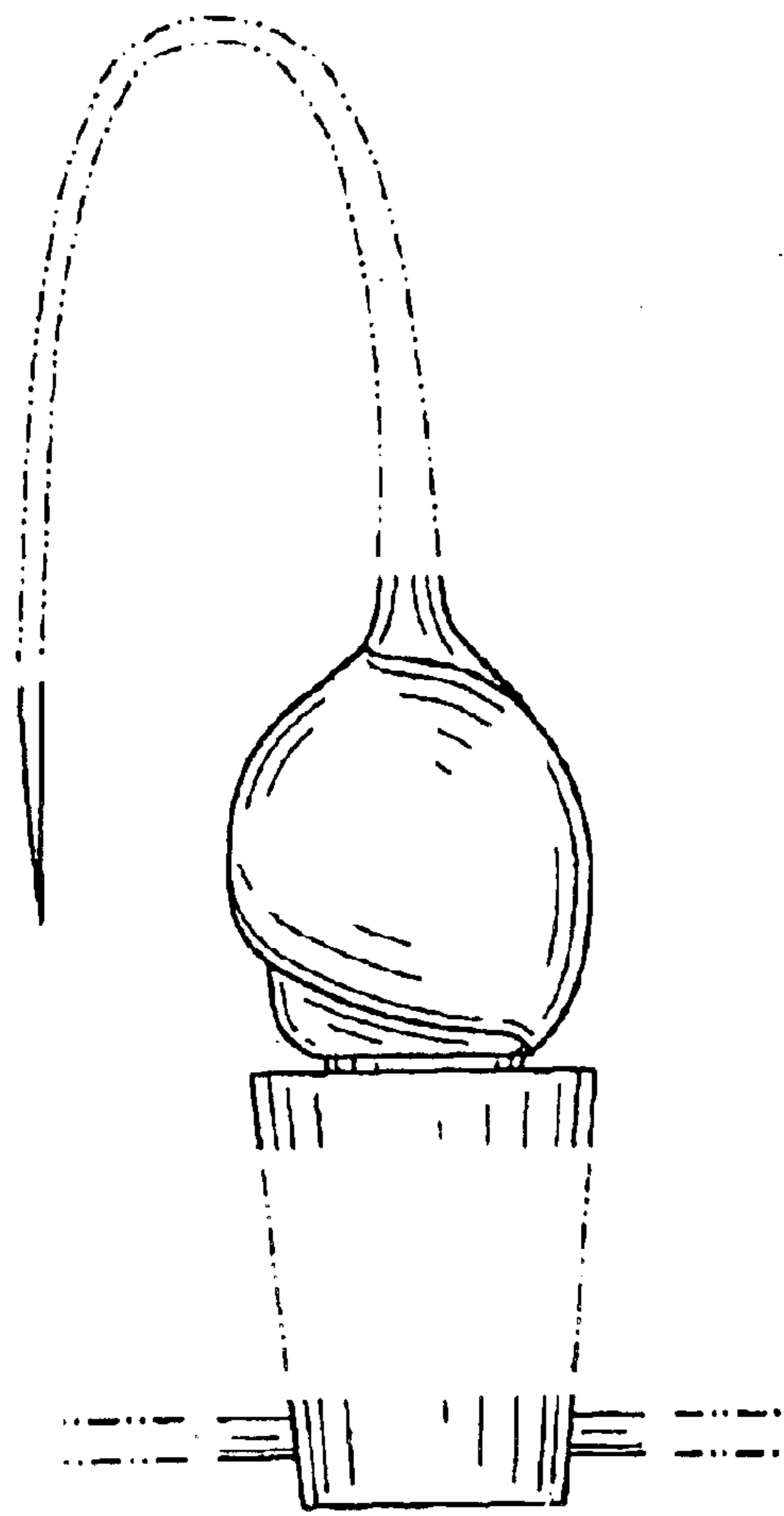


FIG. 4

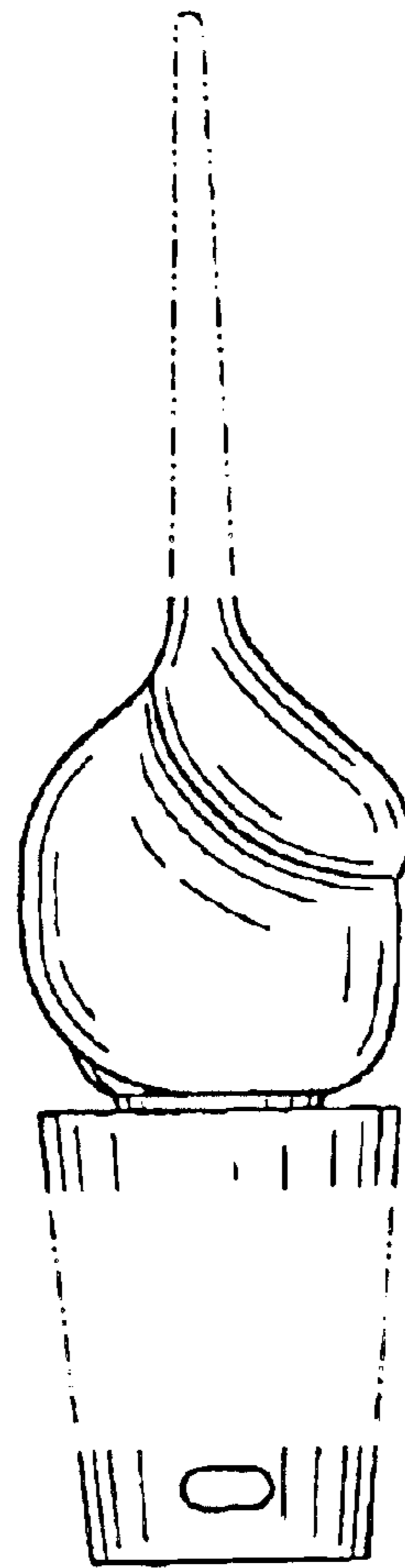


FIG. 5

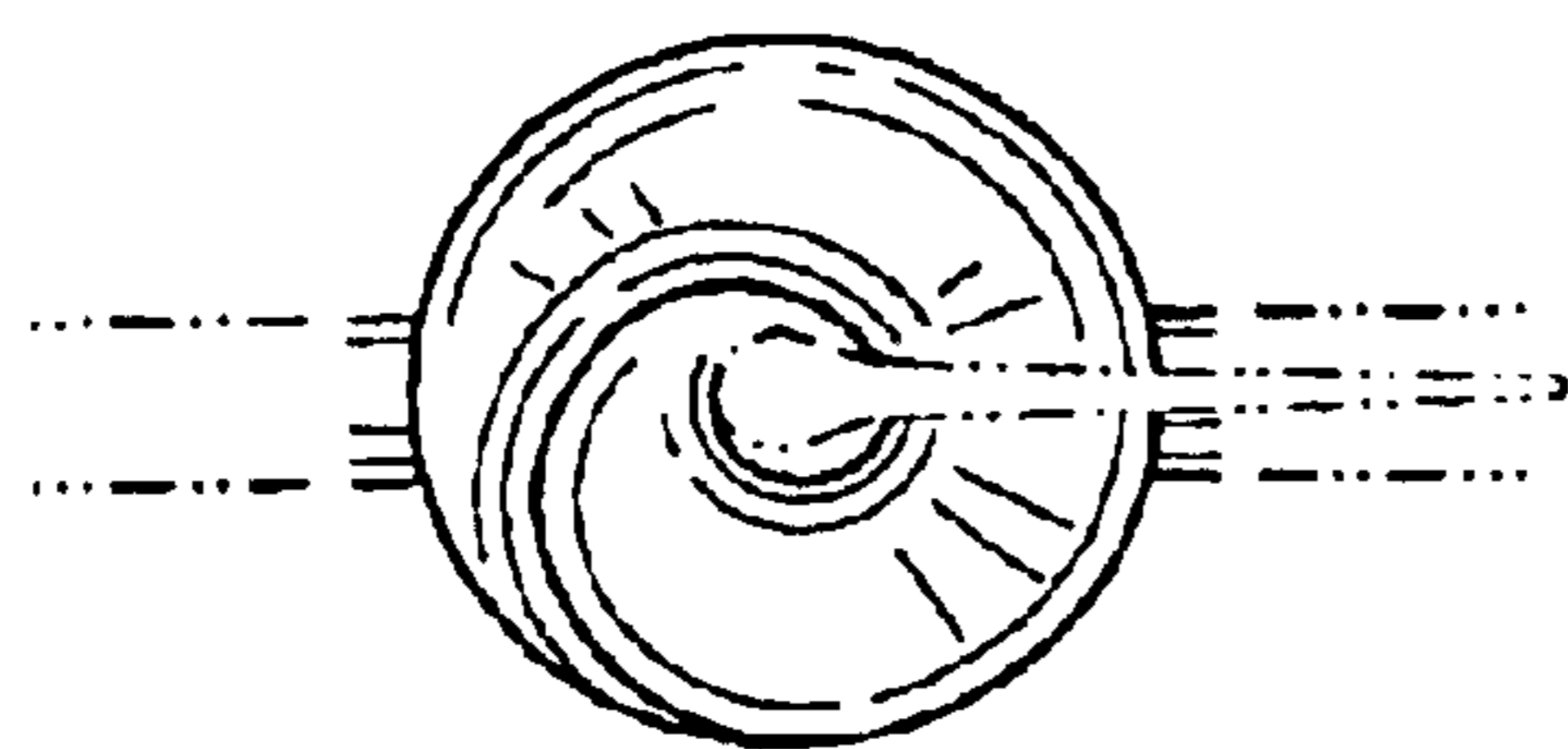


FIG. 6

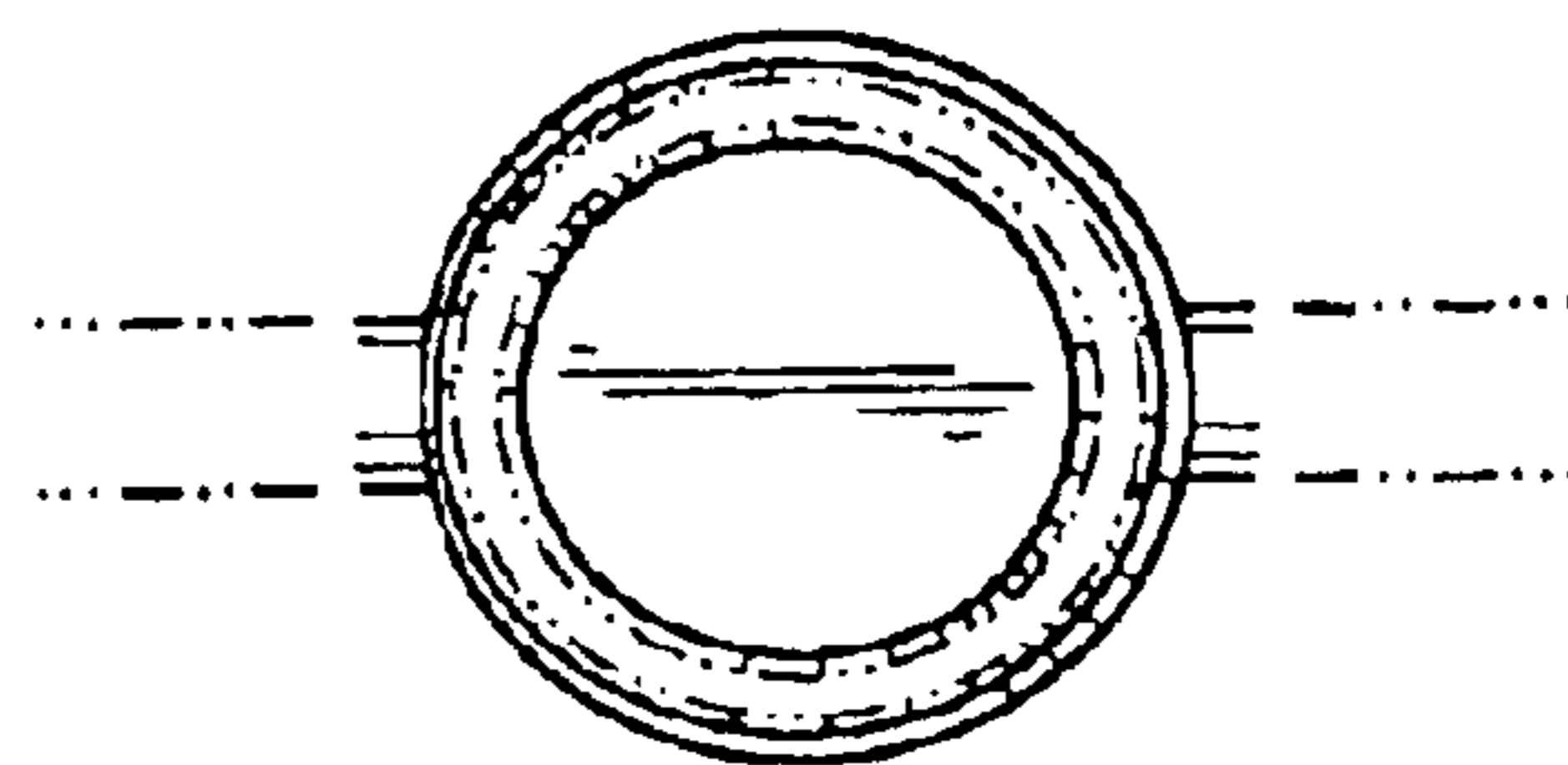


FIG. 7