

US00D507668S

(12) **United States Design Patent**
Kwong

(10) **Patent No.:** **US D507,668 S**

(45) **Date of Patent:** **** Jul. 19, 2005**

(54) **LIGHTING FIXTURE**

(75) **Inventor:** **Allan Kwong, Shatin (HK)**

(73) **Assignee:** **Regal King Comercial Offshore de Macau Limitada, Macao (CN)**

(**) **Term:** **14 Years**

(21) **Appl. No.:** **29/191,860**

(22) **Filed:** **Oct. 14, 2003**

Related U.S. Application Data

(62) Division of application No. 29/165,591, filed on Aug. 13, 2002, now Pat. No. Des. 482,476.

(51) **LOC (8) Cl.** **26-05**

(52) **U.S. Cl.** **D26/24; D26/63**

(58) **Field of Search** D26/61-66, 71, D26/24; 362/269, 270, 275, 277, 278, 281, 283-286, 289, 345, 401, 402, 423, 427

(56) **References Cited**

U.S. PATENT DOCUMENTS

D98,047 S	*	1/1936	Beck	D26/63
D111,577 S		10/1938	Arenberg	D48/20
D209,078 S		10/1967	Andre	D48/20
3,725,695 A	*	4/1973	Eversberg et al.	362/394
D234,218 S	*	1/1975	Donato	D26/65
D234,219 S	*	1/1975	Donato	D26/65
D234,220 S	*	1/1975	Donato	D26/65
D296,244 S	*	6/1988	Donato	D26/63
D315,964 S		4/1991	Joosten et al.	D26/63
D322,862 S		12/1991	Miller	D26/63
D370,990 S	*	6/1996	Lin	D26/63
D384,430 S		9/1997	Lecluze	D26/24
D391,381 S		2/1998	Yang	D26/60
D395,140 S	*	6/1998	O'Rourke	D26/140

D397,234 S		8/1998	Huang	D26/63
D399,585 S	*	10/1998	Giese et al.	D26/63
D407,518 S		3/1999	Yeh	D26/63
D408,570 S		4/1999	Bird	D26/63
D427,696 S		7/2000	Scott et al.	D26/28
D435,925 S	*	1/2001	Hiller et al.	D26/63
D437,955 S	*	2/2001	Tang	D26/63
D443,940 S		6/2001	Donato	D26/63
D448,508 S		9/2001	Benghozi	D26/63
D464,455 S	*	10/2002	Fong et al.	D26/63
D482,476 S		11/2003	Kwong	D26/63
2002/0060911 A1	*	5/2002	Brockmann et al.	362/321

OTHER PUBLICATIONS

Container sidewall, Halogen Ceiling Fixture MR-16, SKU 198-622, Hampton Bay Fan and Lighting Co., 2455 Paces Ferry Road, Atlanta, GA. 30339.

* cited by examiner

Primary Examiner—Clare E Hefflin

(74) *Attorney, Agent, or Firm*—Baker, Donelson, Bearman, Caldwell & Berkowitz

(57) **CLAIM**

The ornamental design for a lighting fixture, as shown and described.

DESCRIPTION

FIG. 1 is a perspective view of my new design for a lighting fixture;

FIG. 2 is a bottom view thereof;

FIG. 3 is a top view thereof; and,

FIG. 4 is a front side view thereof, the back side view being a mirror image thereof.

The broken lines shown on the drawings are for illustrative purposes only and form no part of the claimed design.

1 Claim, 2 Drawing Sheets

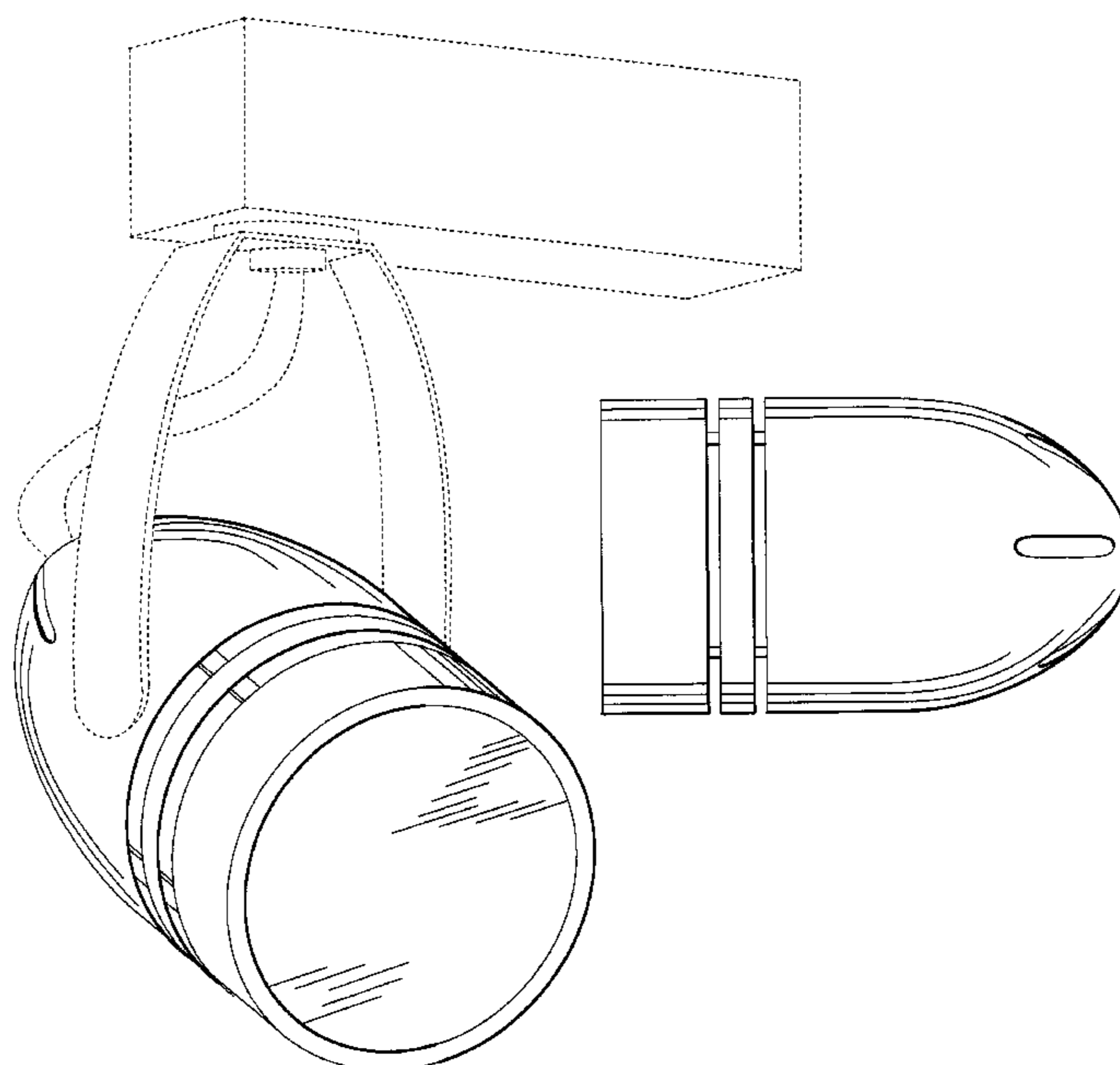


Fig. 1

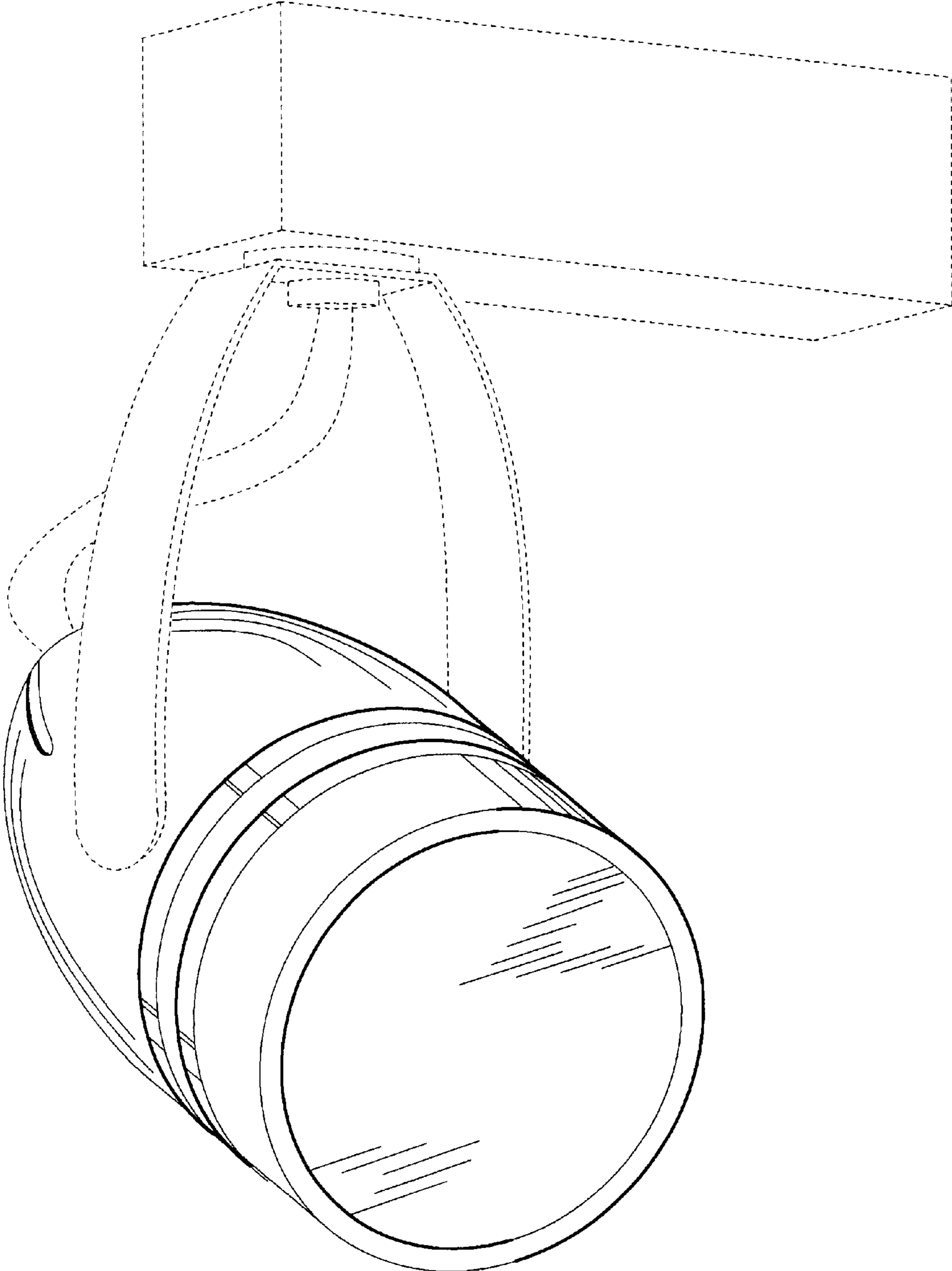


Fig. 2

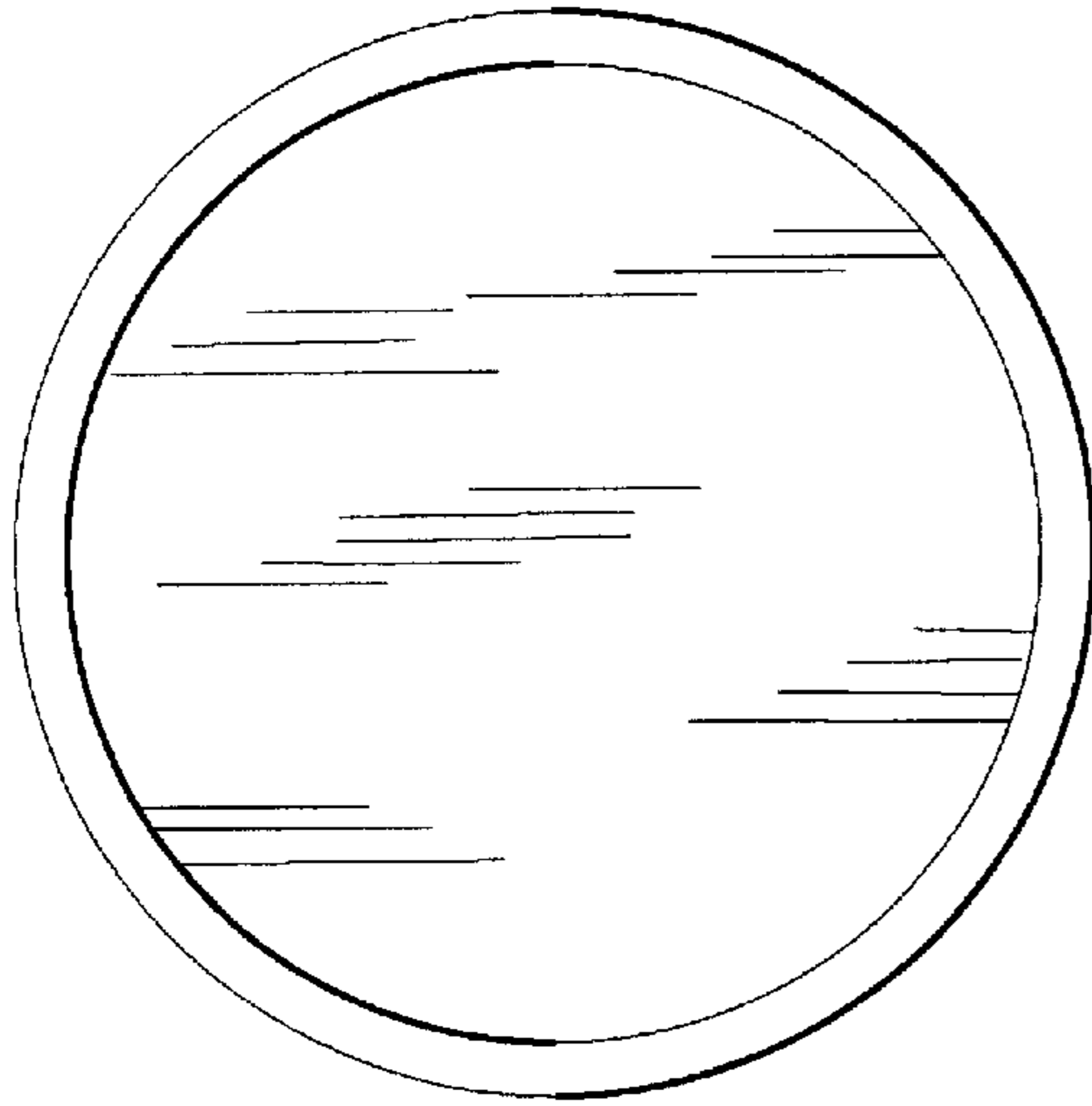


Fig. 3

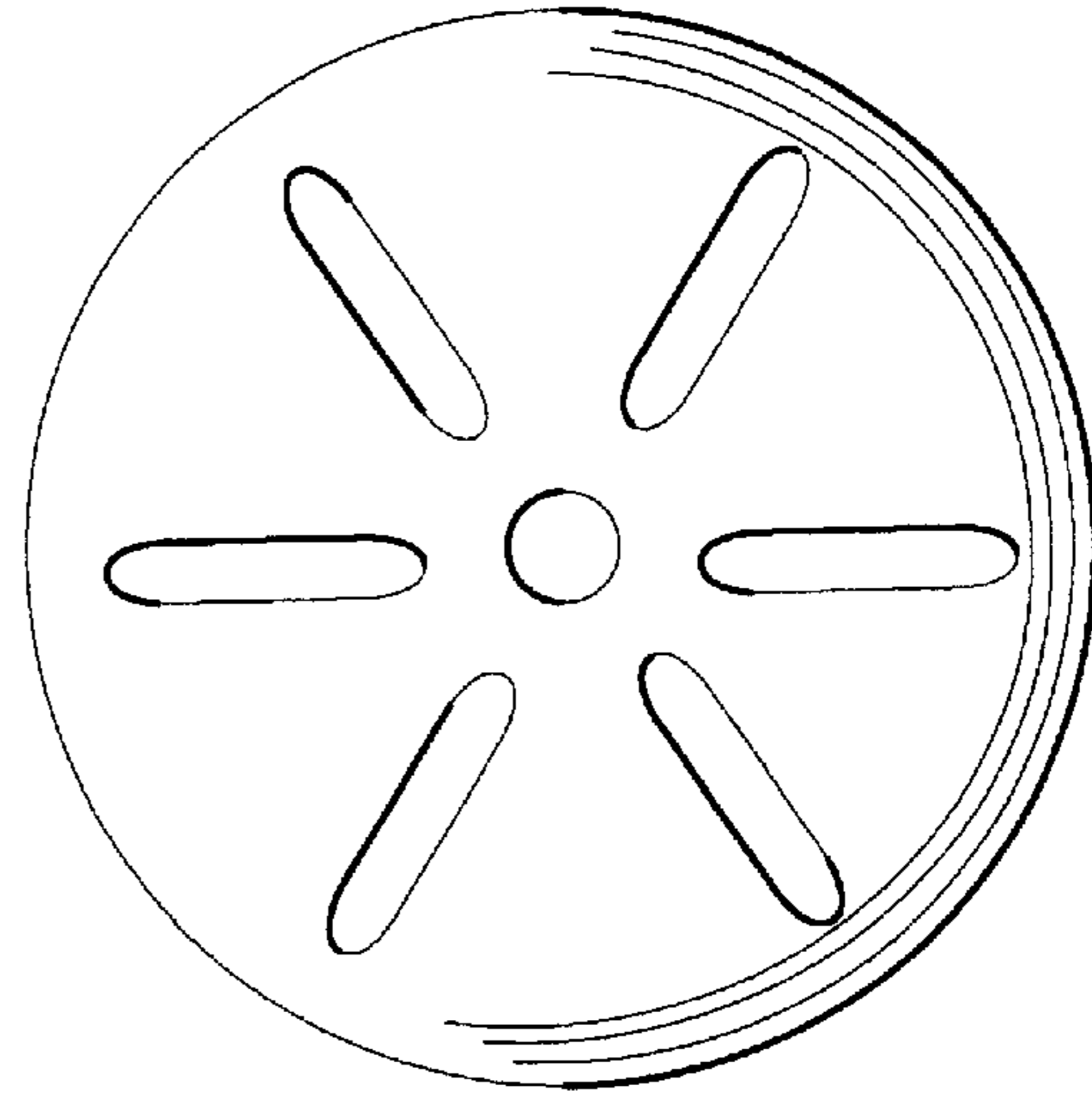


Fig. 4

