

US00D507665S

(12) **United States Design Patent**
Ryan et al.

(10) **Patent No.:** **US D507,665 S**
(45) **Date of Patent:** **** Jul. 19, 2005**

(54) **DECKING**

(75) Inventors: **Thomas G. Ryan**, North Huntingdon, PA (US); **Robert C. Paul**, Glenshaw, PA (US)

(73) Assignee: **Epic Metals Corporation**, Rankin, PA (US)

(**) Term: **14 Years**

(21) Appl. No.: **29/186,801**

(22) Filed: **Jul. 22, 2003**

(51) **LOC (8) Cl.** **25-01**

(52) **U.S. Cl.** **D25/119**

(58) **Field of Search** 52/87; 119/527, 119/529, 530; 14/6, 73; D25/119

(56) **References Cited**

U.S. PATENT DOCUMENTS

3,376,071	A	4/1968	Stein	299/37.1
3,628,833	A	12/1971	Crispino	299/36.1
3,695,713	A	10/1972	Rothi et al.	299/10
3,740,099	A	6/1973	Lenzner	299/39.8
3,779,605	A	12/1973	Nieman	299/37.1
4,053,183	A	10/1977	Probst	299/36.1
D256,843	S *	9/1980	Madsen	D25/119
4,699,430	A	10/1987	Nichols	299/37.1
5,772,284	A	6/1998	Lindsey et al.	299/36.1
5,800,021	A	9/1998	Derr	299/37.1
5,843,716	A *	12/1998	Au-Young et al.	435/69.1
5,863,100	A	1/1999	Martin	299/37.1
5,921,155	A	7/1999	Faller et al.	81/45
6,543,126	B1	4/2003	Hamlin	29/822

OTHER PUBLICATIONS

Acoustic Composite Floor Deck Selection Chart, dated Mar. 2, 1987, Rev. May 6, 1998, Epic Metals Corporation (1 pg.). EPIC® Composite Floor Decks Brochure, Epic Metals Corporation, ©1981, (2 pgs.), publication date as early as Jan. 1, 1998.

EPIC Wideck® Long-Span Roof and Floor Deck Ceiling Systems Brochure, Epic Metals Corporation, ©2000, (pp. 1, 17, 18 and 32), publication date as early as Jan. 1, 2000. EPIC Wideblend® Roof Deck Ceiling Systems Brochure, Epic Metals Corporation, ©1999, (pp. 1, 3 and 12), publication date as early as Jan. 1, 1999.

(Continued)

Primary Examiner—Doris Clark
(74) *Attorney, Agent, or Firm*—The Webb Law Firm

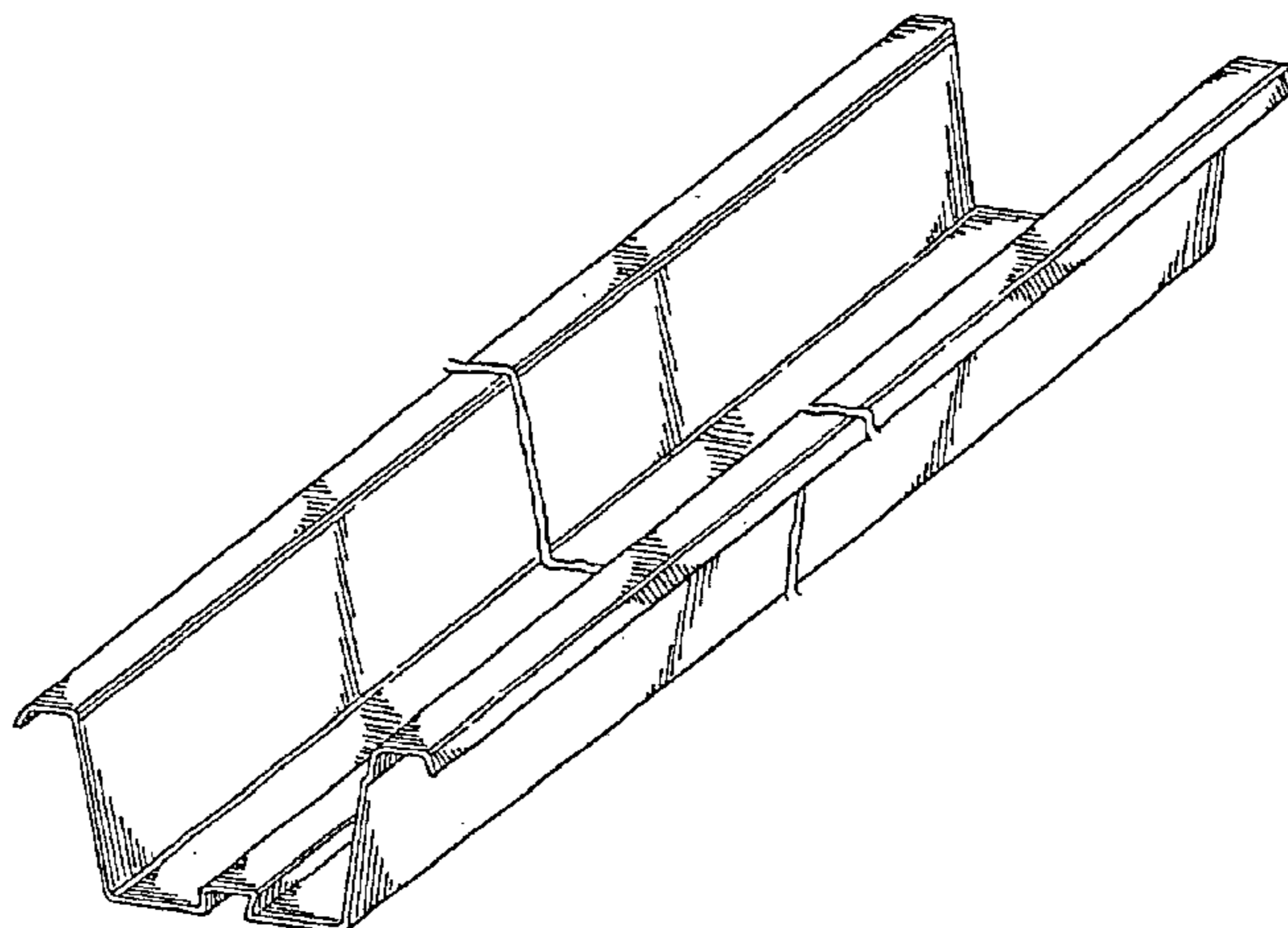
(57) **CLAIM**

The ornamental design for a decking, as shown and described.

DESCRIPTION

FIG. 1 is a top perspective view of the decking showing the new design;
FIG. 2 is a front elevational view of the decking showing the new design;
FIG. 3 is a rear elevational view of the decking showing the new design;
FIG. 4 is a top plan view of the decking showing the new design;
FIG. 5 is a right-side elevational view of the decking showing the new design;
FIG. 6 is a left-side elevational view of the decking showing the new design;
FIG. 7 is a bottom plan view of the decking showing the new design;
FIG. 8 is a front elevational view of a second embodiment of the decking showing the new design having a height different than that of the decking shown in FIGS. 1–7, all other features are the same; and,
FIG. 9 is a front elevational view of a third embodiment of the decking showing the new design having a height different than that shown in FIGS. 1–8, all other features are the same.
The decking has been broken in the center to show indefinite length.

1 Claim, 3 Drawing Sheets



OTHER PUBLICATIONS

EPIC® Roof and Acoustical Decks Brochure, Epic Metals Corporation, ©1998, (19 pgs.), publication date as early as Jan. 1, 1998.

EPIC® Composite Floor and Form Decks Acoustical and Non-Acoustical Brochure, Epic Metals Corporation, ©2000, (32 pgs.), publication date as early as Jan. 1, 2000.

Acoustic Composite Floor Deck Selection Chart, dated Mar. 2, 1987, Rev. May 6, 1998, Epic Metals Corporation (1 pg.).
Super Wideck® Spans the New McCarran Las Vegas International Airport Terminal "D" Advertisement, Epic Metals Corporation (1 pg.), publication date as early as Jul. 21, 2002.

* cited by examiner

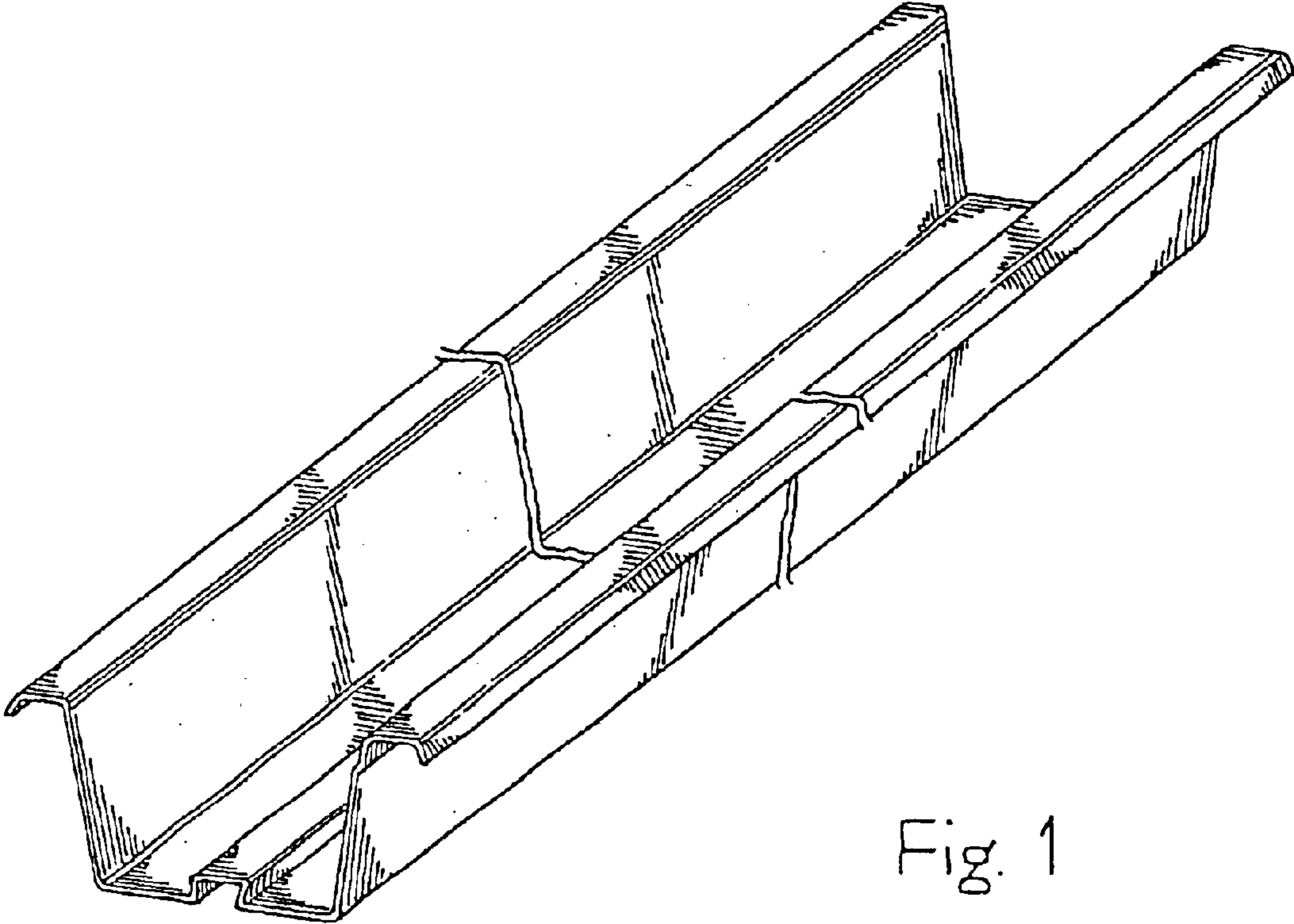


Fig. 1

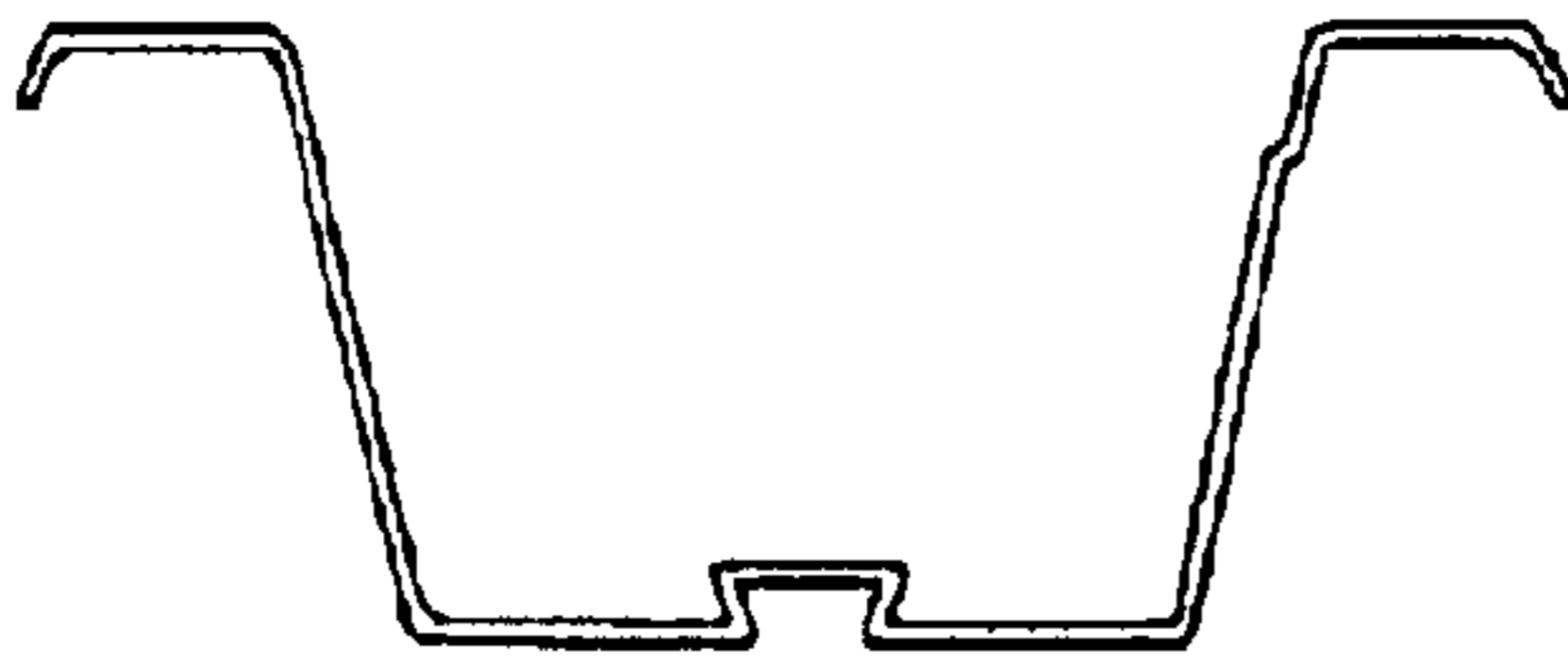


Fig. 2

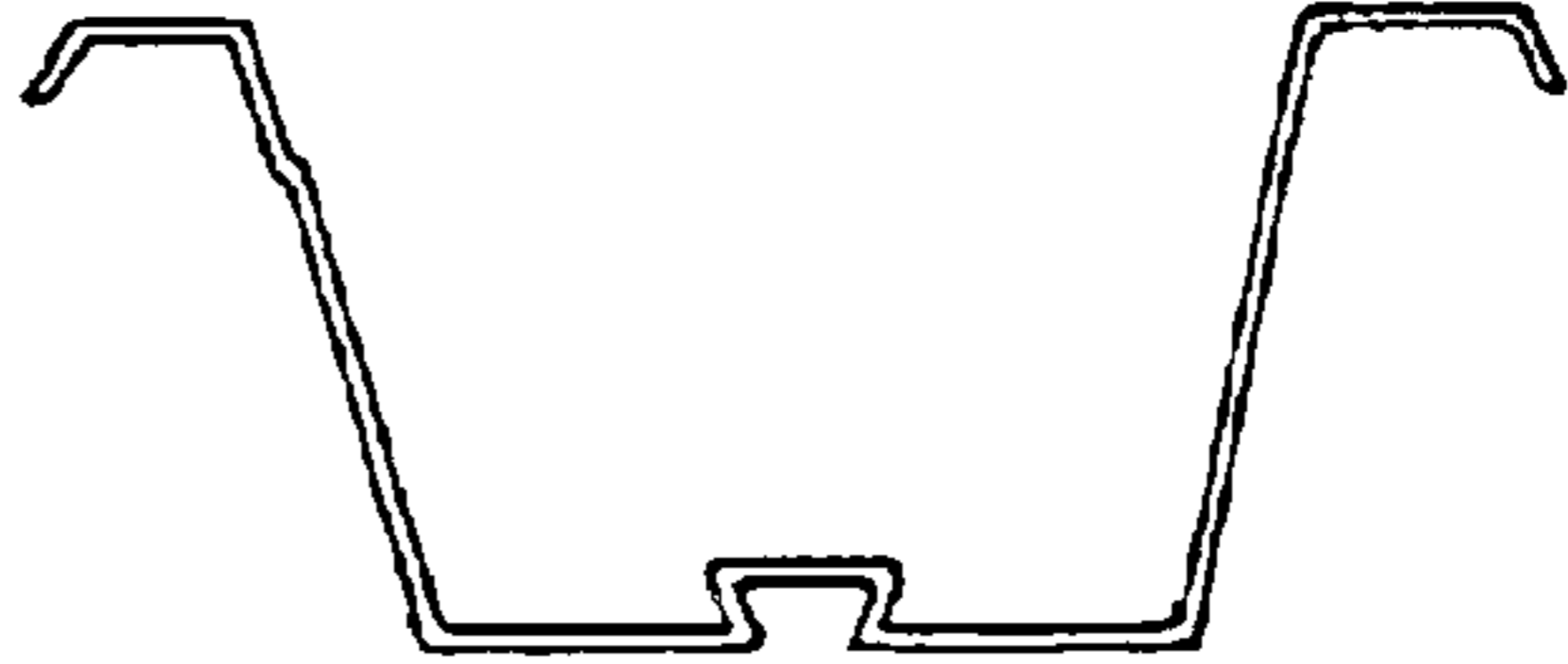


Fig. 3

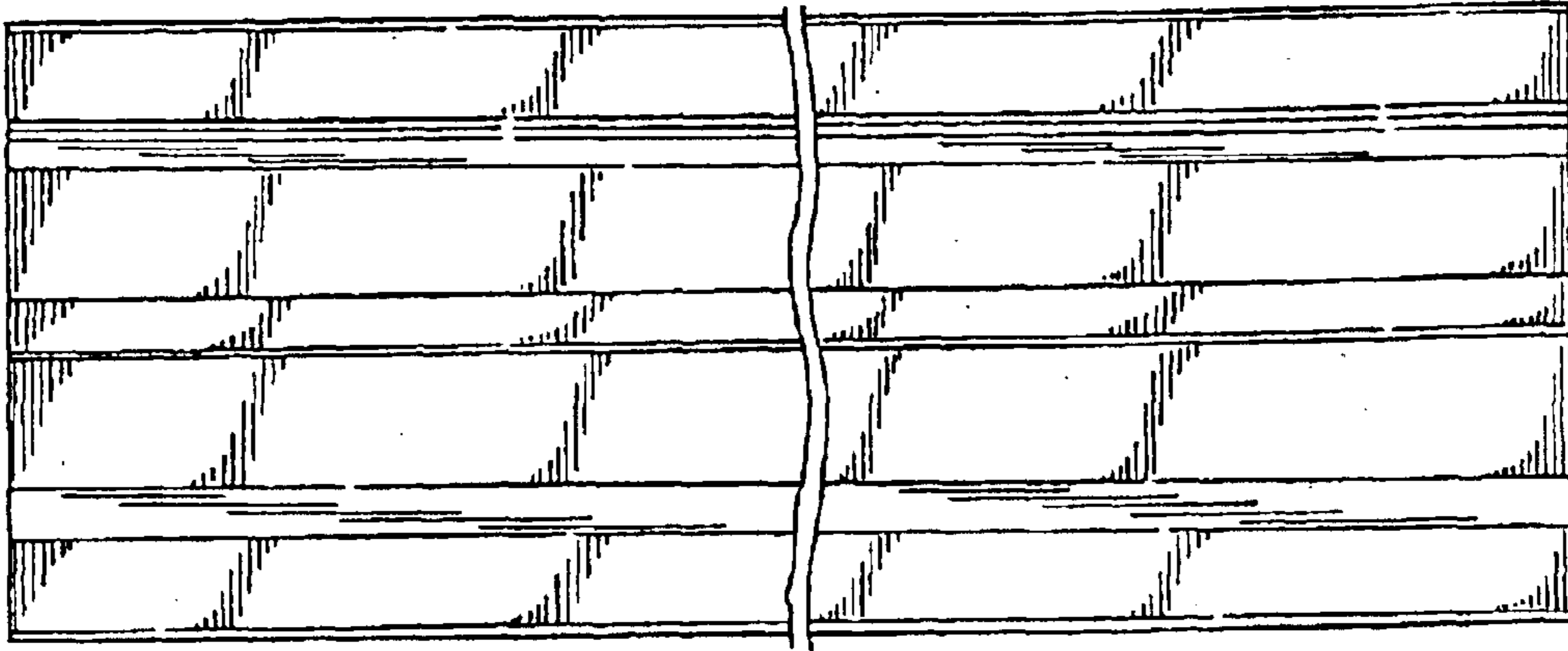


Fig. 4

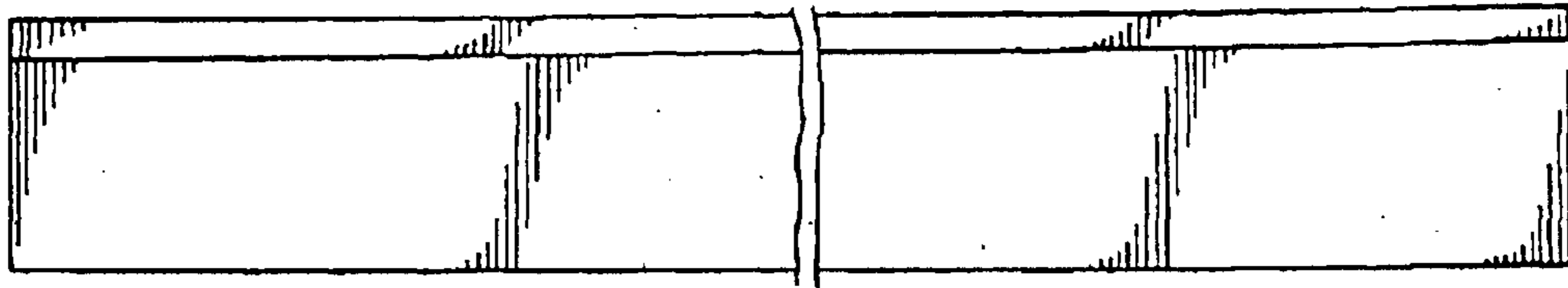


Fig. 5

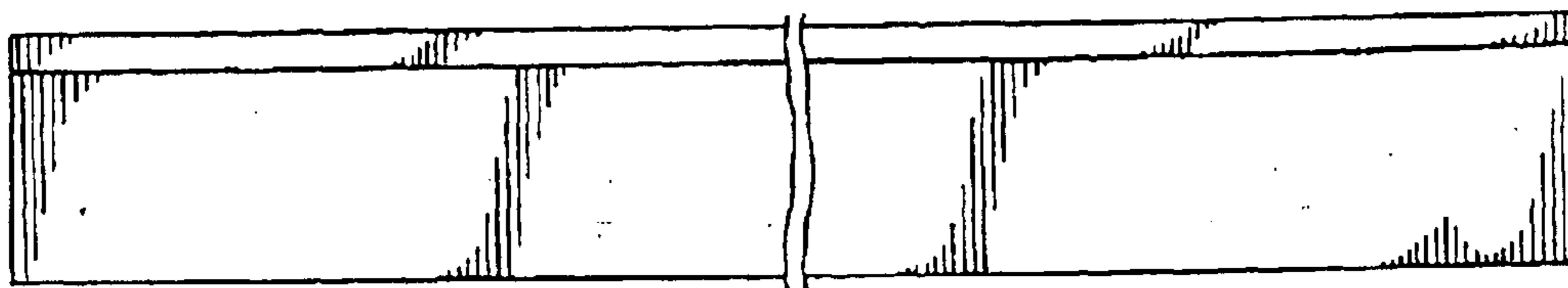


Fig. 6

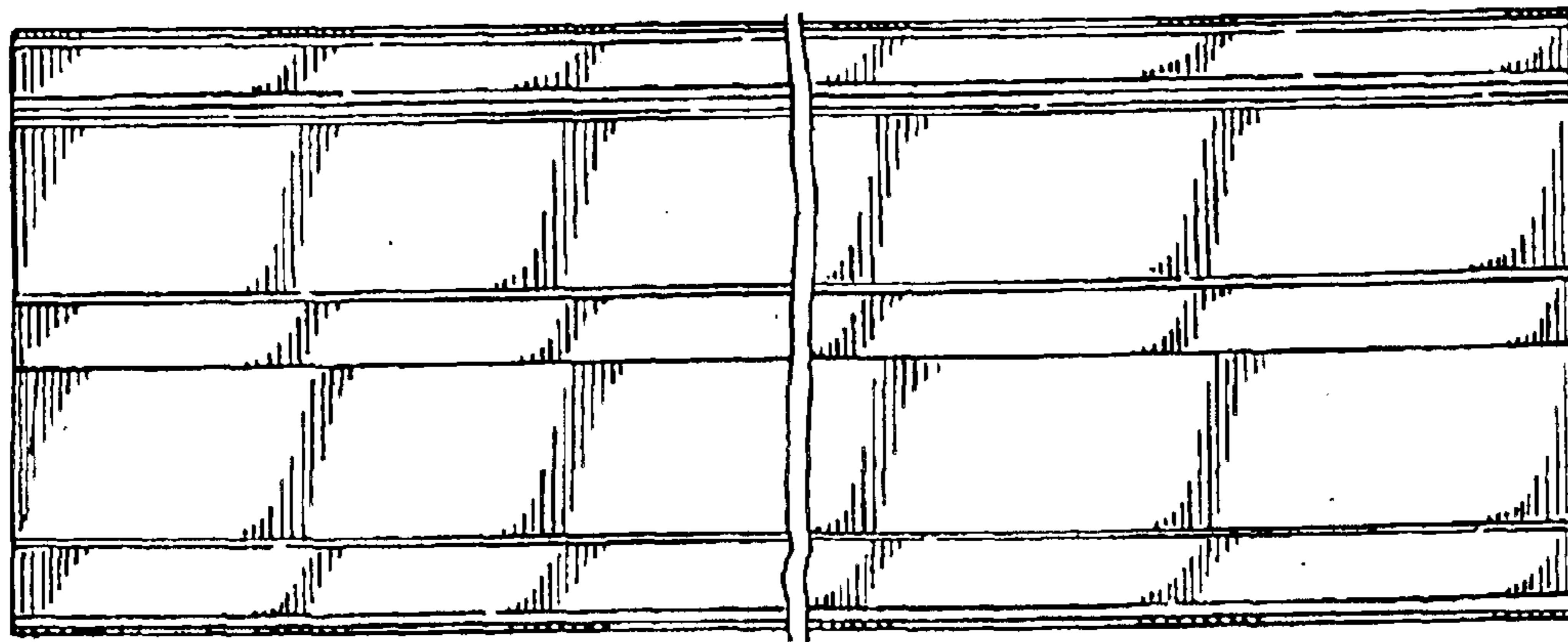


Fig. 7

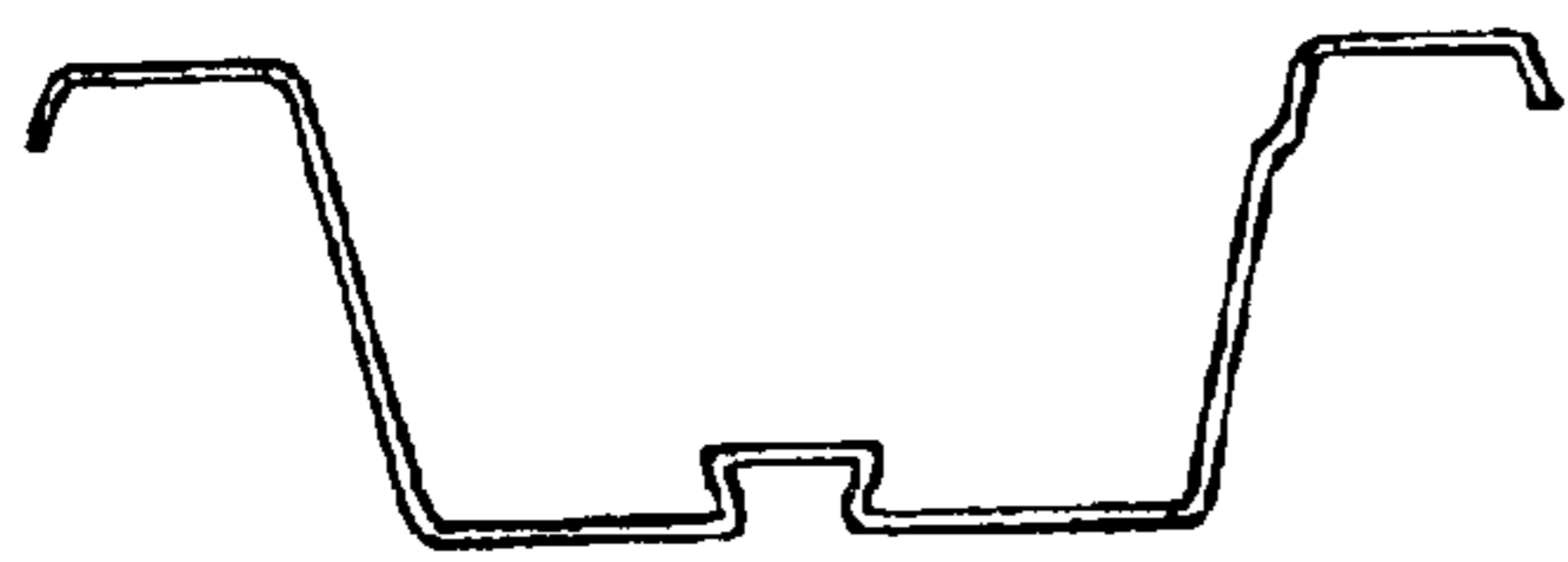


Fig. 8

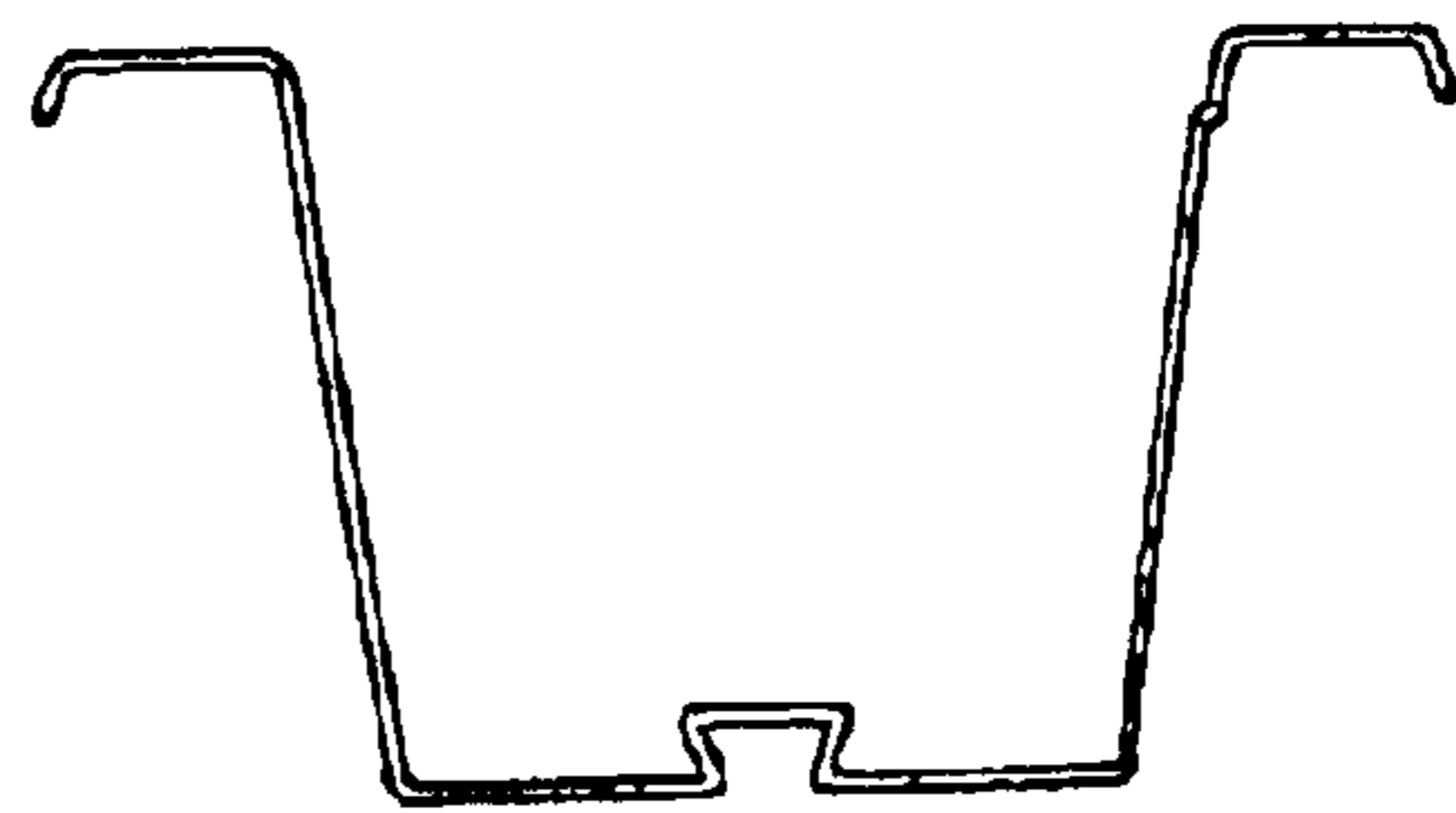


Fig. 9

UNITED STATES PATENT AND TRADEMARK OFFICE
CERTIFICATE OF CORRECTION

PATENT NO. : Des. 507,665 S
DATED : July 19, 2005
INVENTOR(S) : Ryan et al.

Page 1 of 1

It is certified that error appears in the above-identified patent and that said Letters Patent is hereby corrected as shown below:

Title page,
Item [57], **DESCRIPTION,**
FIGS. 1, 4, 5, 6 and 7, after “new design;”, insert -- the decking has been broken in the center to show indefinite length; --.
After FIG 9, delete lines 23-24.

Signed and Sealed this

Seventh Day of February, 2006

A handwritten signature in black ink on a dotted background. The signature reads "Jon W. Dudas" in a cursive style.

JON W. DUDAS

Director of the United States Patent and Trademark Office