

US00D507664S

(12) **United States Design Patent**  
**Anderson**

(10) **Patent No.:** **US D507,664 S**  
(45) **Date of Patent:** **\*\* Jul. 19, 2005**

(54) **LANDSCAPE EDGING BLOCK**

**FOREIGN PATENT DOCUMENTS**

(75) **Inventor:** **Dwight David Anderson**, Champlin,  
MN (US)

GB 194347 2/1923

(73) **Assignee:** **Hector Tile Company, Inc.**, Hector,  
MN (US)

**OTHER PUBLICATIONS**

(\*\*) **Term:** **14 Years**

Jensen Patio Brick, A Division of Natural Stone Mfg Co Inc,  
“Pavers, Borders, Planters, and Bricks”—product page from  
website <http://www.jensenpatiobrick.com/pavers.mw>, Nov.  
4, 2003.

(21) **Appl. No.:** **29/205,301**

\* cited by examiner

(22) **Filed:** **May 12, 2004**

*Primary Examiner*—Robert A Delehanty  
(74) *Attorney, Agent, or Firm*—Kagan Binder, PLLC

(51) **LOC (8) Cl.** ..... **25-01**

(52) **U.S. Cl.** ..... **D25/113**

(58) **Field of Search** ..... D25/112–118,  
D25/164, 2; D21/483–486, 499–500; 404/17,  
19–20, 27–31, 34–42; 52/102, 596, 574,  
612, 603–609

(57) **CLAIM**

The ornamental design for a landscape edging block, as  
shown and described.

**DESCRIPTION**

(56) **References Cited**

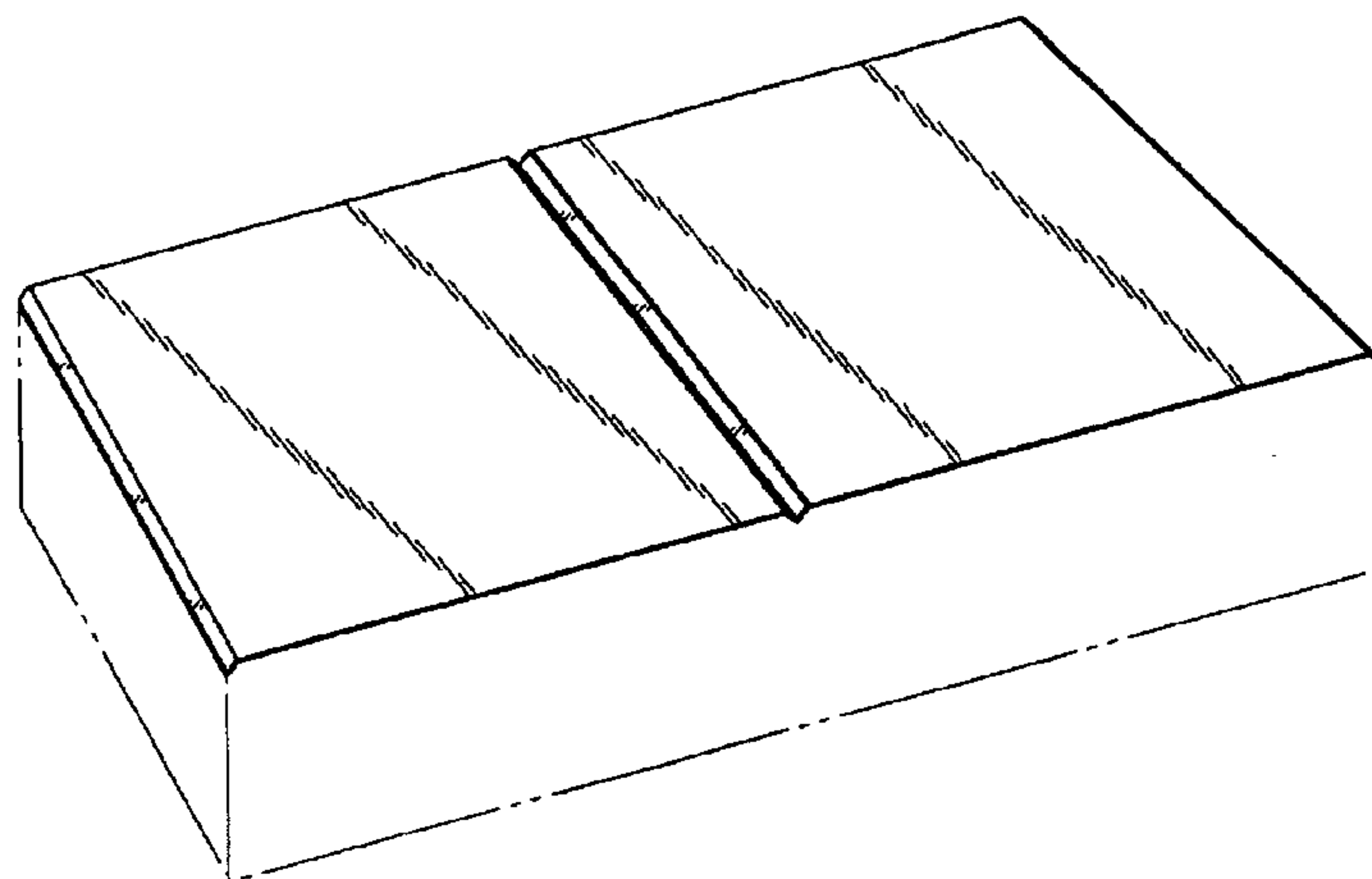
**U.S. PATENT DOCUMENTS**

510,259	A	12/1893	Higgins	
697,014	A	* 4/1902	Putnam	D25/113
986,395	A	3/1911	King	
1,166,664	A	1/1916	Dargento	
1,977,021	A	10/1934	Spencer	
D135,257	S	* 3/1943	Larson	D25/114
3,418,774	A	12/1968	Kocher et al.	
4,711,599	A	12/1987	Glickman	
D299,069	S	* 12/1988	Risi et al.	D25/157
4,834,575	A	5/1989	Barth et al.	
4,971,475	A	11/1990	Castonguay et al.	
4,976,063	A	12/1990	Young	
5,163,777	A	11/1992	Krueger et al.	
D340,775	S	* 10/1993	Sauve	D25/118
5,564,240	A	10/1996	Dean, Jr.	
5,568,994	A	10/1996	Dawson	
5,588,262	A	12/1996	Dawson	
D378,702	S	4/1997	Blomquist et al.	
5,771,631	A	6/1998	Dawson	
6,233,897	B1	5/2001	Jurik	
D458,693	S	6/2002	Sievert	
2003/0102589	A1	6/2003	Waltz	

FIG. 1 is a perspective view of a first embodiment of a trapezoidal landscape edging block of the present design having an edging decorative surface as a top surface with a grooved pattern and showing a body in broken lines; the broken lines forming no part of the present invention; FIG. 2 is a top plan view of the landscape edging block of FIG. 1 including an ornamental transverse groove visible on the decorative top surface thereof for emulating a plurality of blocks in a longitudinal direction; FIG. 3 is a bottom plan view of the landscape edging block of FIG. 1; FIG. 4 is a front elevational view of the landscape edging block of FIG. 1; FIG. 5 is a rear elevational view of the landscape edging block of FIG. 1; and, FIG. 6 is a left side elevational view of the landscape edging block of FIG. 1, the right side view being a mirror image thereof.

The broken line showing of the body portion of the block in FIGS. 1–6 is for illustrative purposes only and forms no part of the claimed design.

**1 Claim, 3 Drawing Sheets**



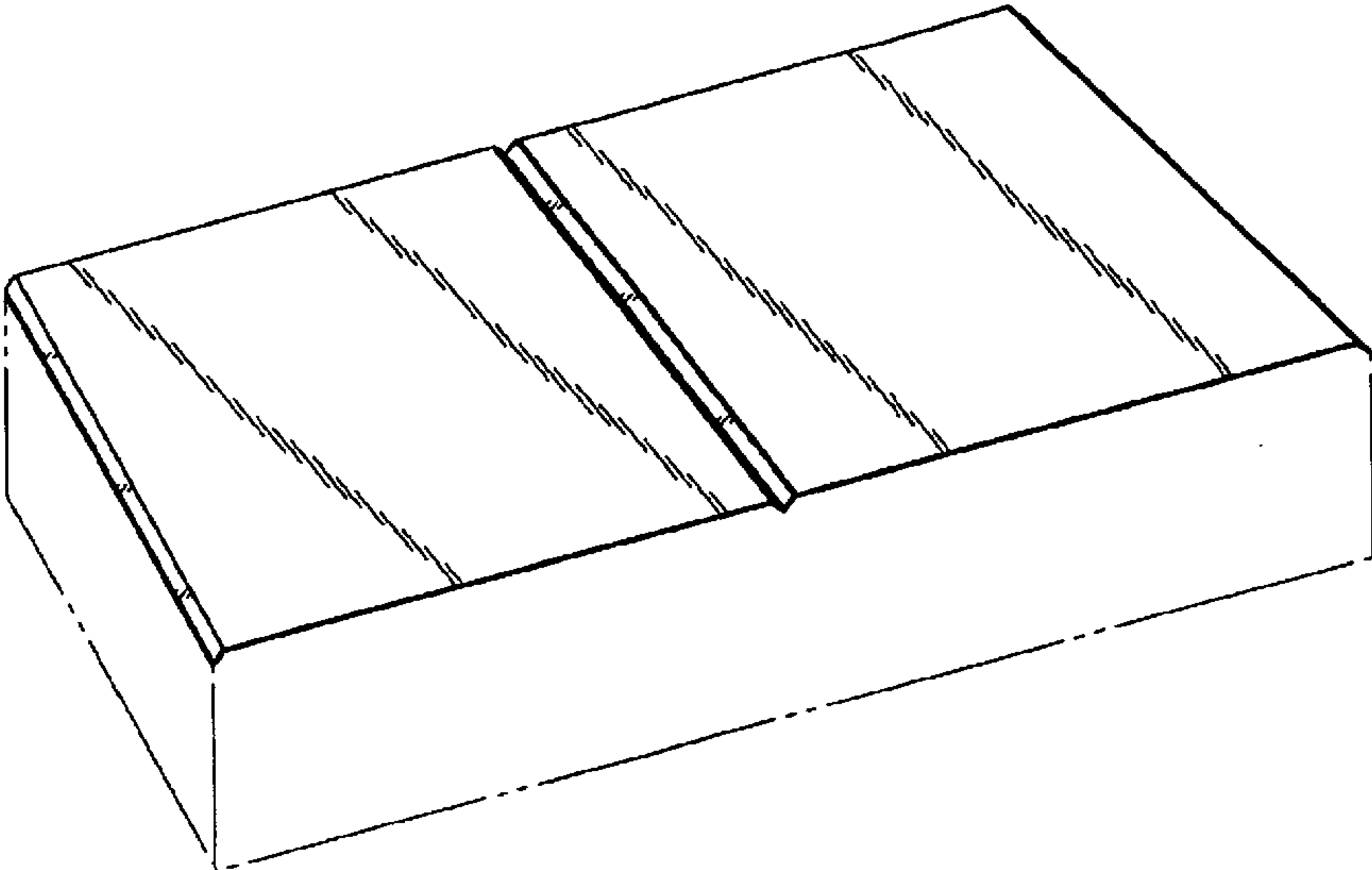
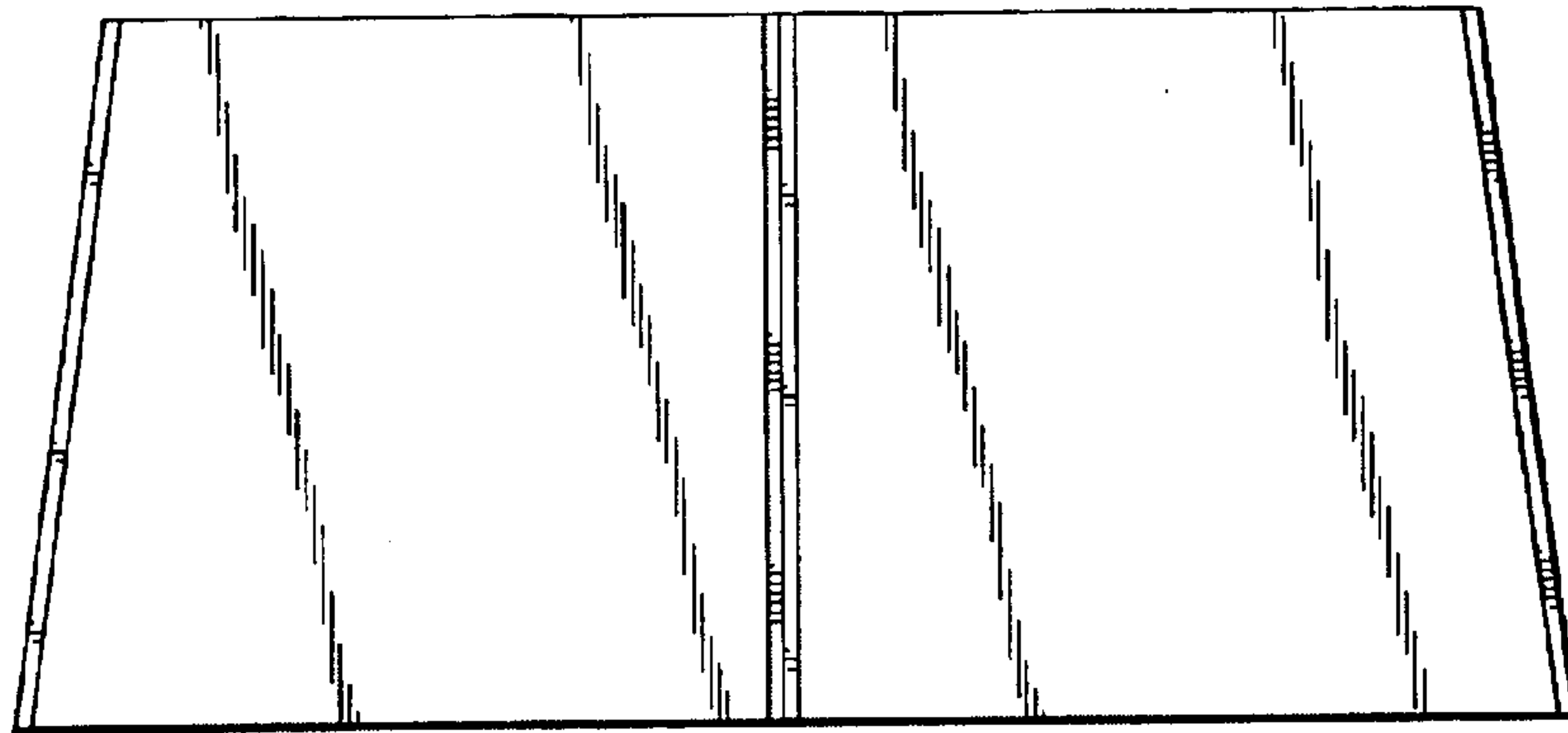
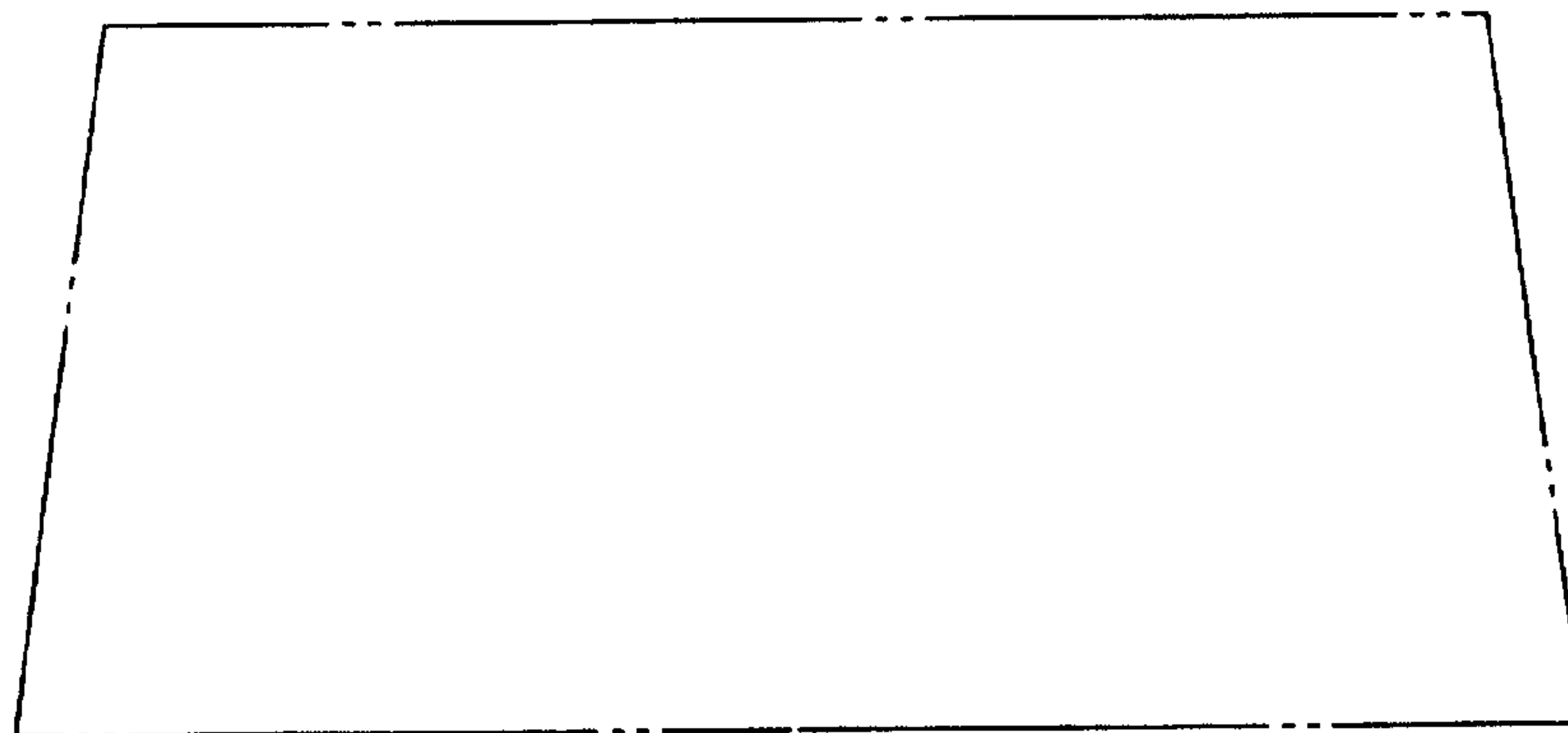


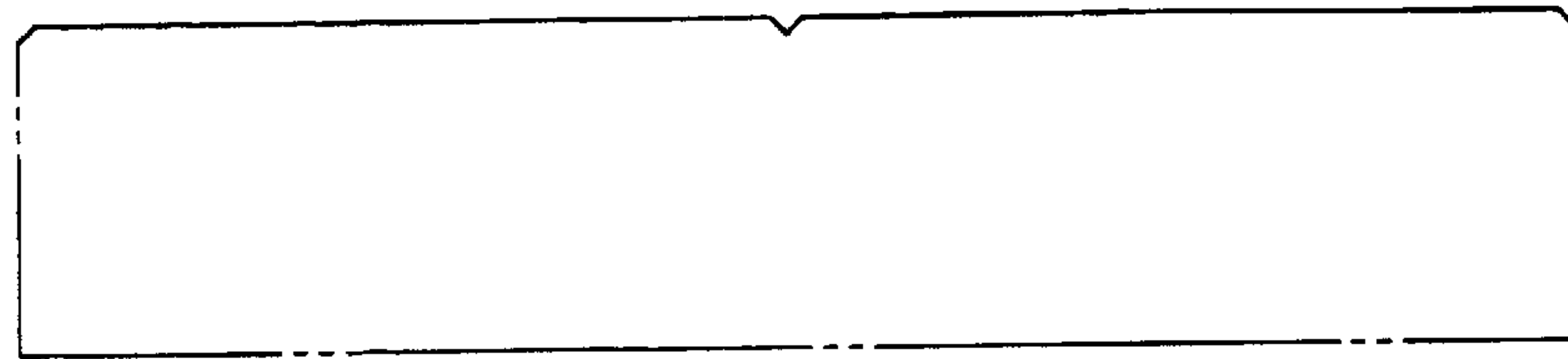
Fig. 1



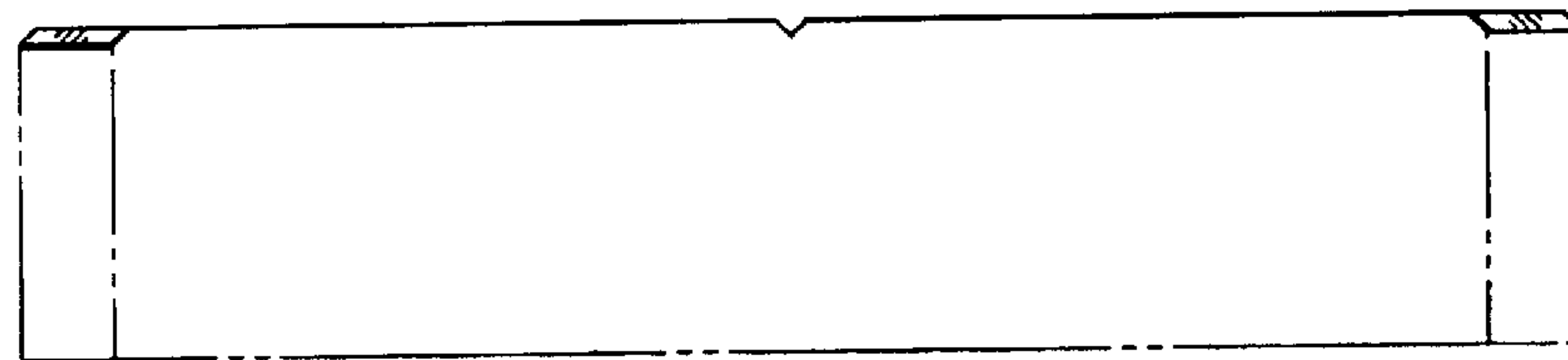
**Fig. 2**



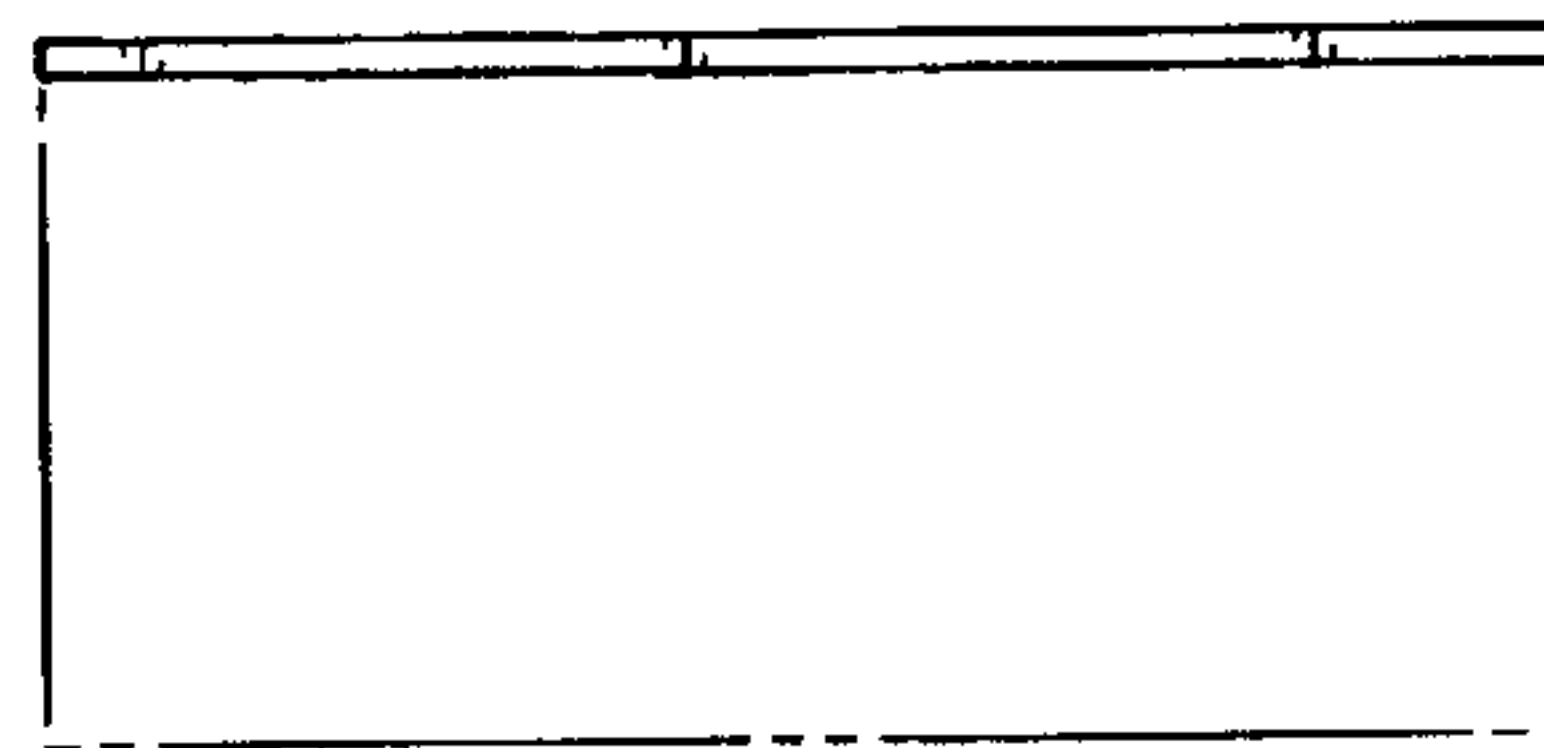
**Fig. 3**



**Fig. 4**



**Fig. 5**



**Fig. 6**