

US00D507662S

(12) **United States Design Patent**
St-Hilaire

(10) **Patent No.:** **US D507,662 S**

(45) **Date of Patent:** **** Jul. 19, 2005**

(54) **SWIMMING POOL STEPS**

(76) **Inventor:** **Normand St-Hilaire**, 1125, 431^{ème}
Avenue, St-Hippolyte, Quebec (CA),
J8A 3P5

(**) **Term:** **14 Years**

(21) **Appl. No.:** **29/201,922**

(22) **Filed:** **Mar. 22, 2004**

(51) **LOC (8) Cl.** **25-04**

(52) **U.S. Cl.** **D25/63**

(58) **Field of Search** D25/65, 63, 62,
D25/2; 182/33; 4/496, 506

(56) **References Cited**

U.S. PATENT DOCUMENTS

6,000,494 A	*	12/1999	Wilson	182/93
D449,117 S	*	10/2001	Wilson	D25/63
D485,914 S	*	1/2004	Lucas et al.	D25/63

* cited by examiner

Primary Examiner—Doris Clark
(74) *Attorney, Agent, or Firm*—Eric Fincham

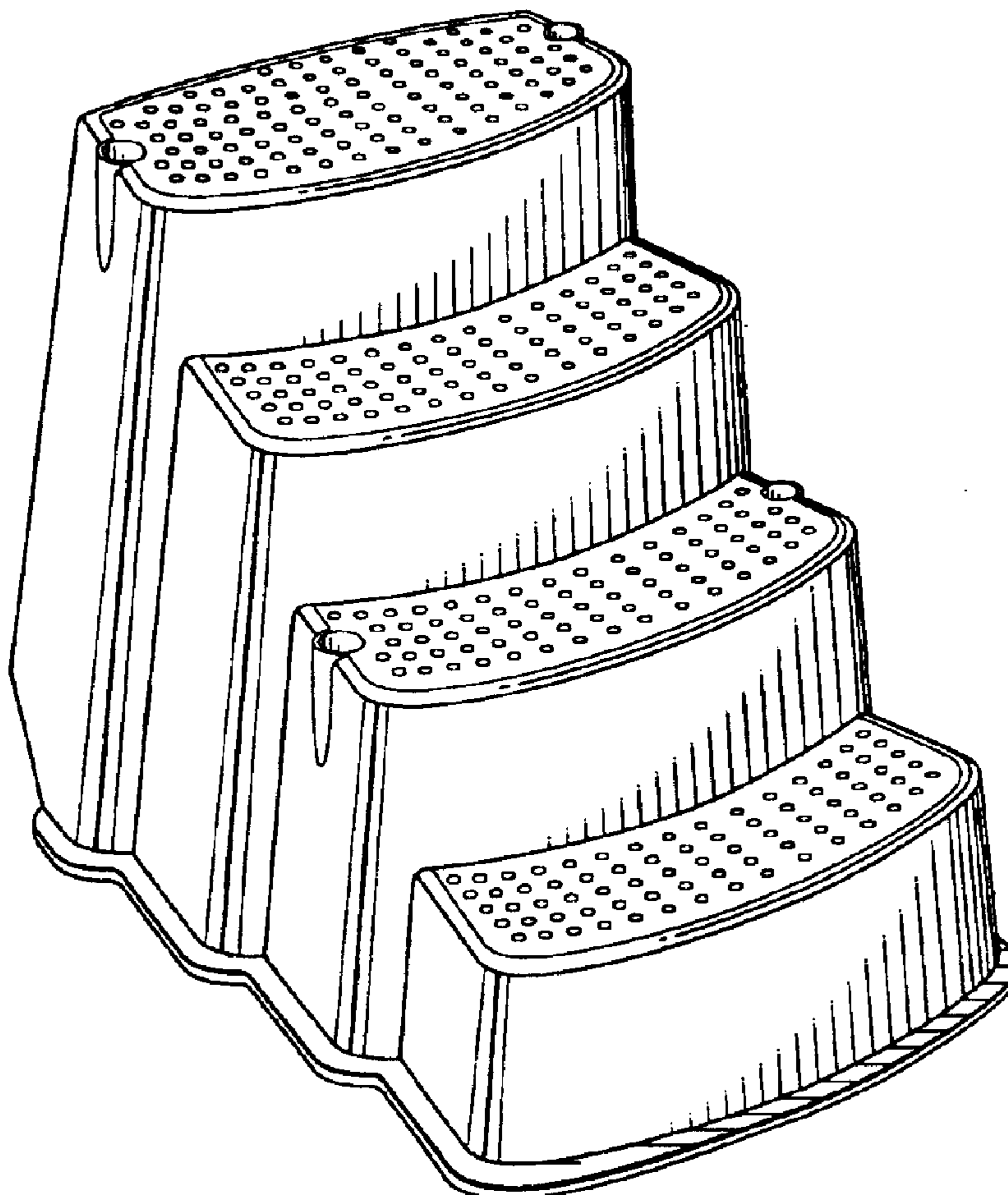
(57) **CLAIM**

The ornamental design for swimming pool steps, as shown and described.

DESCRIPTION

FIG. 1 is a perspective view of the swimming pool steps;
FIG. 2 is a front elevational view thereof;
FIG. 3 is a side elevational view as seen from the left end side of FIG. 2;
FIG. 4 is a side elevational view as seen from the right hand side of FIG. 2;
FIG. 5 is a rear elevational view thereof; and,
FIG. 6 is a top plan view thereof.

1 Claim, 2 Drawing Sheets



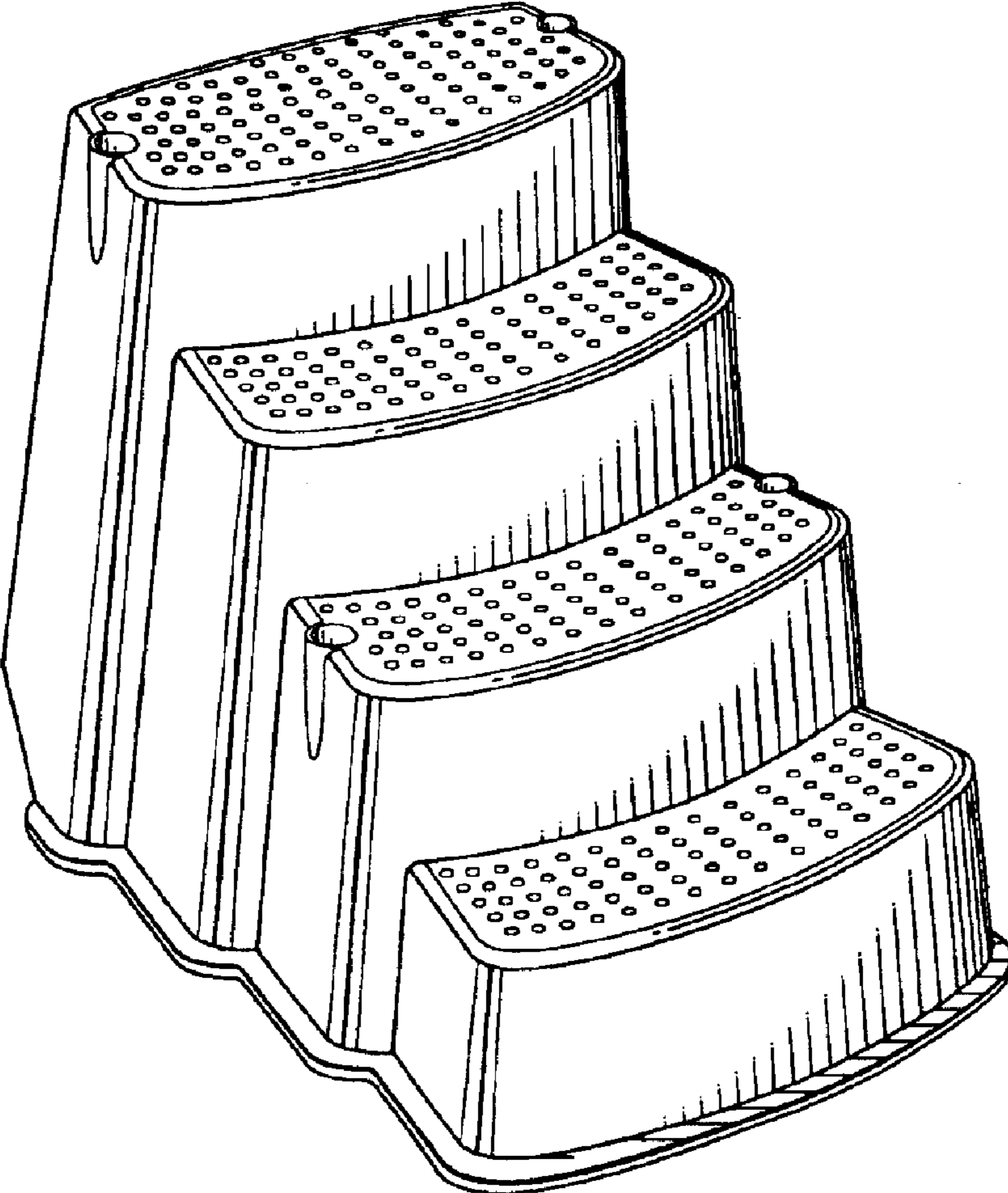


Fig-1

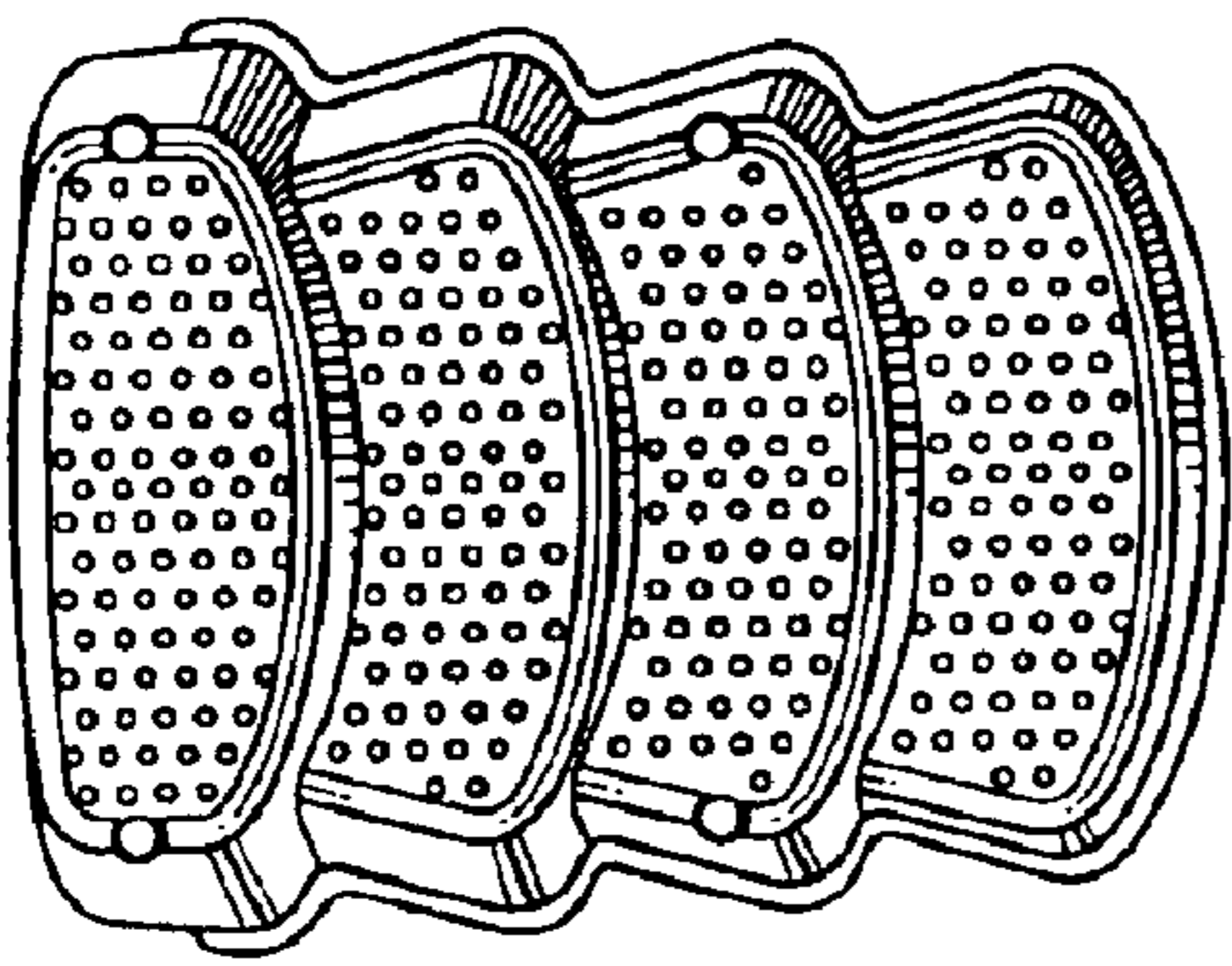


Fig-6

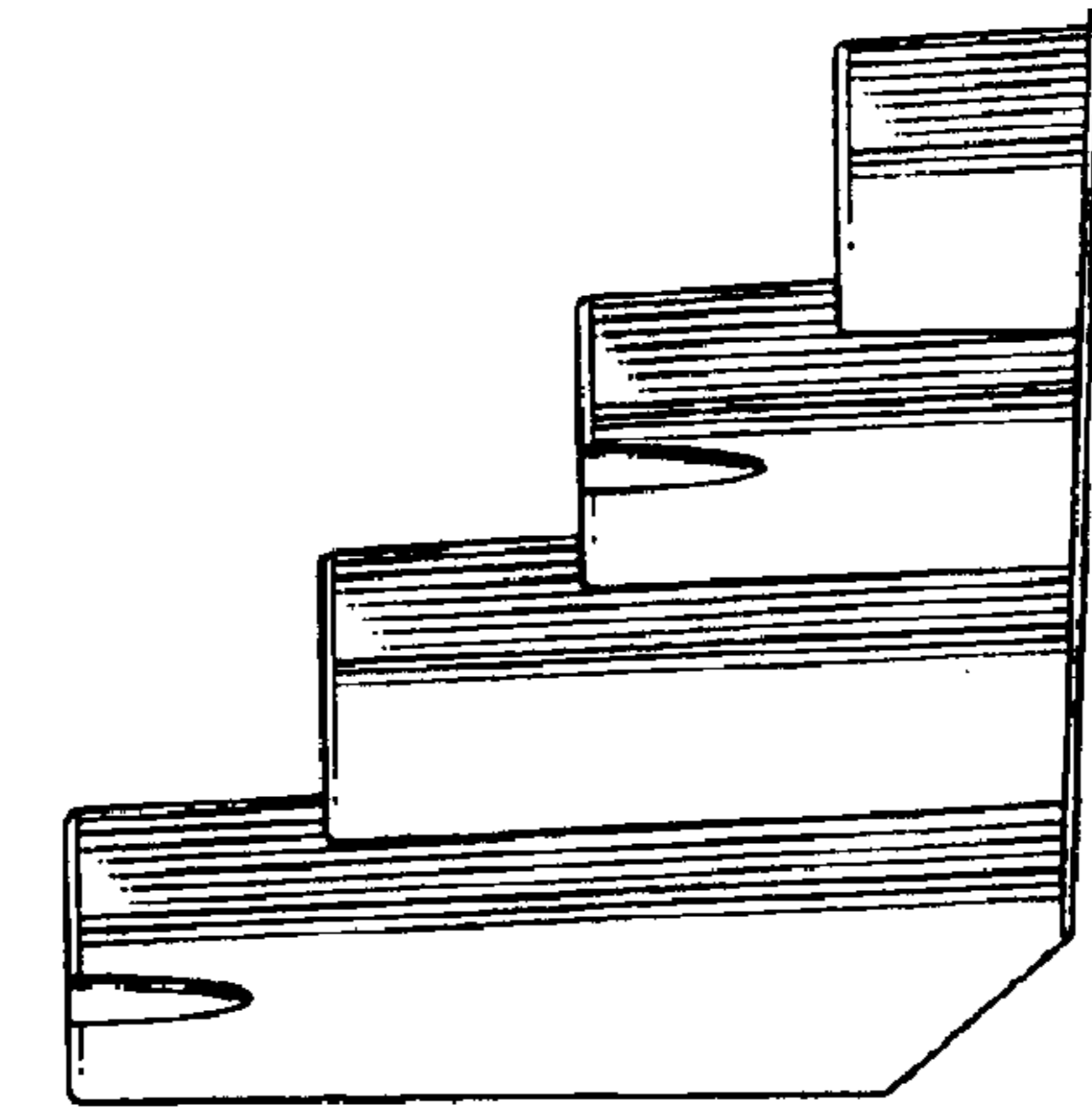


Fig-3

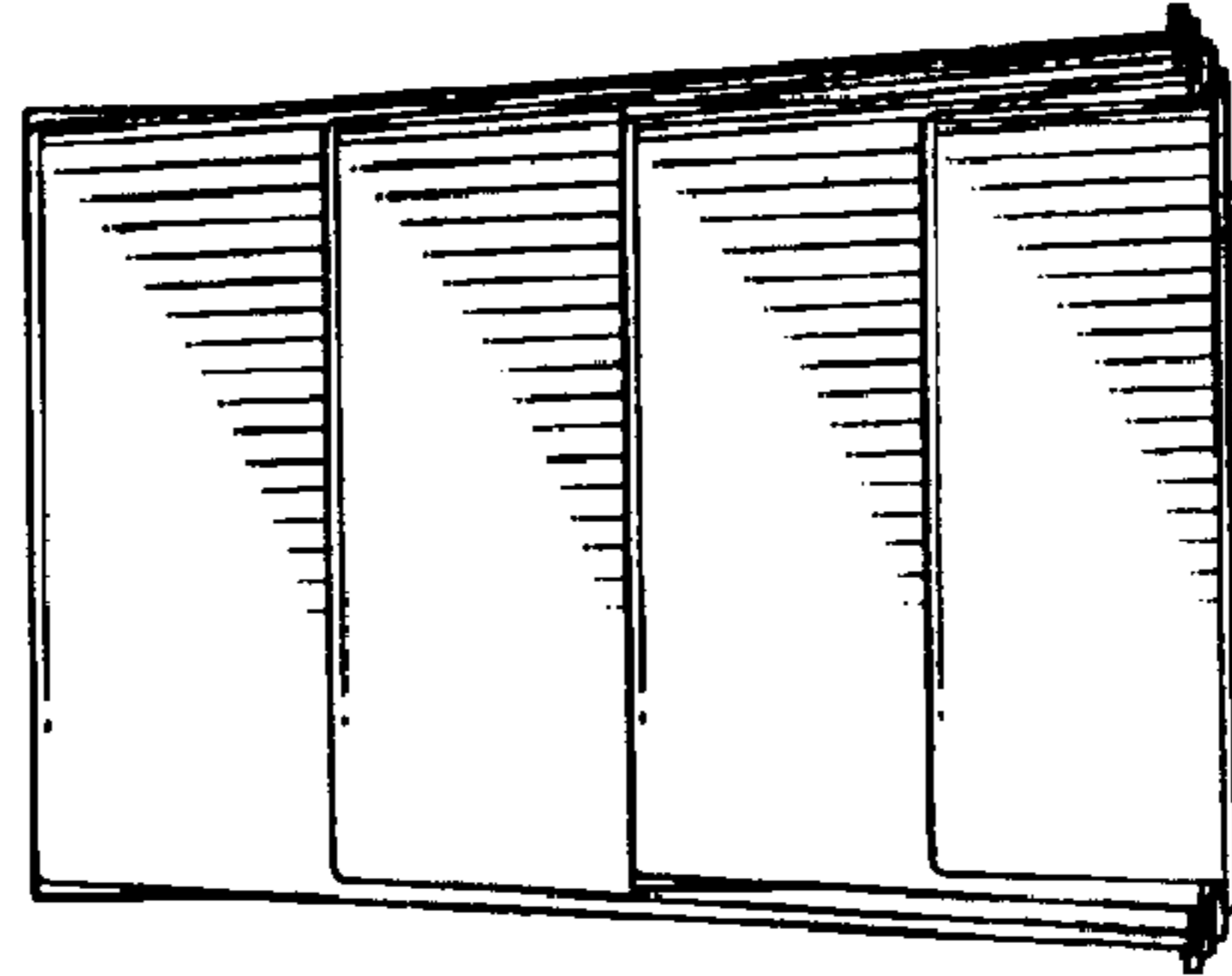


Fig-2

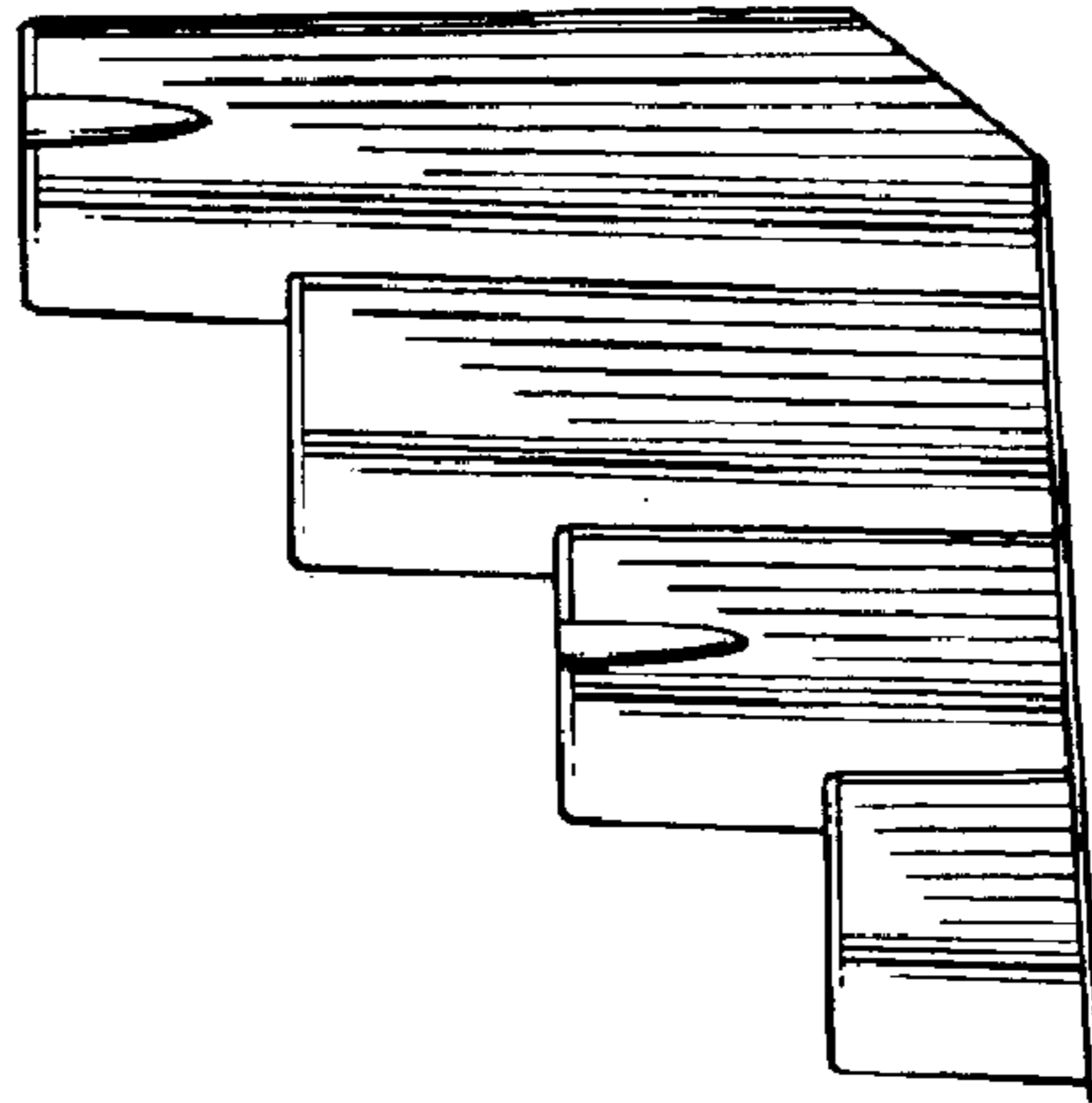


Fig-4

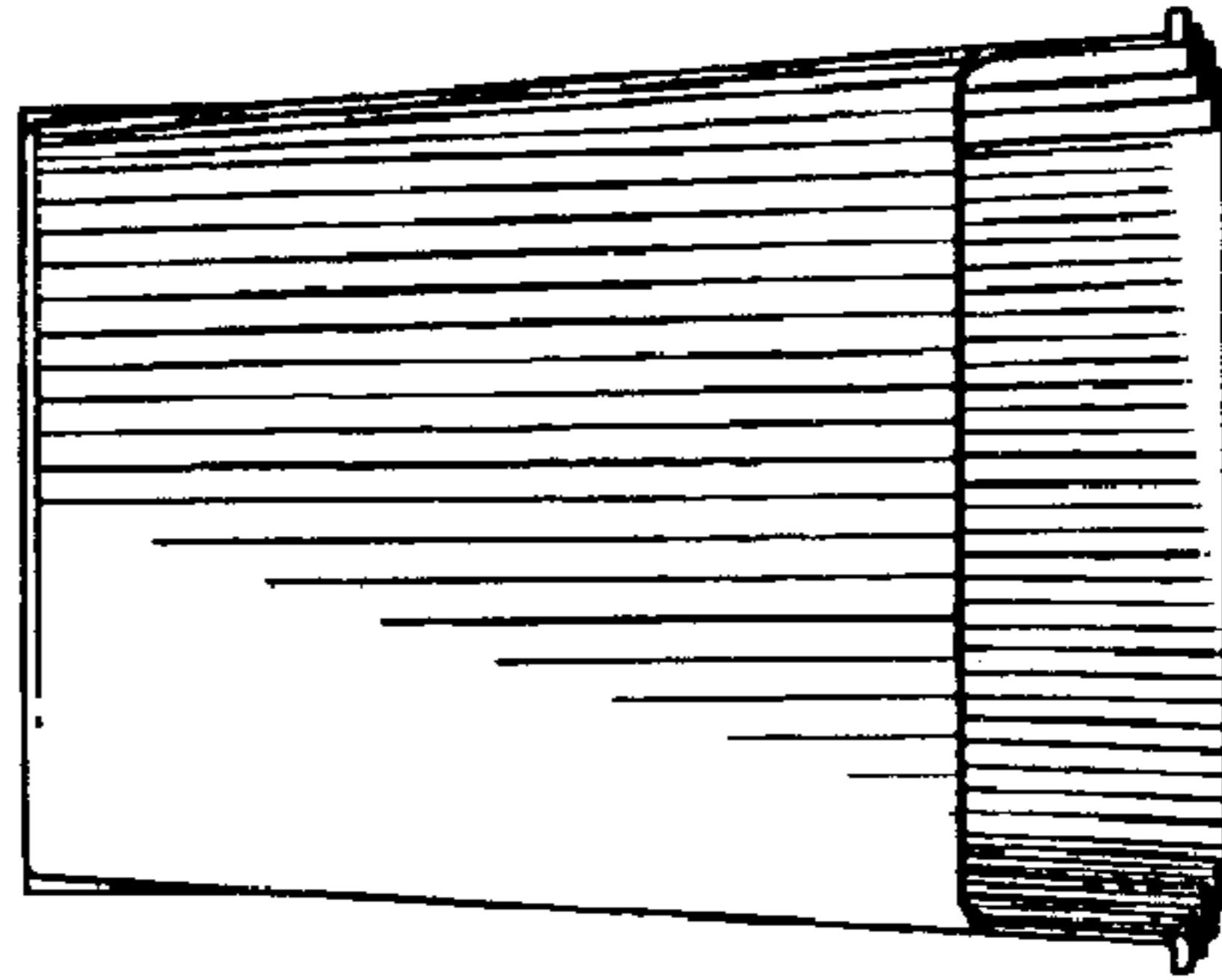


Fig-5