

US00D507661S

(12) **United States Design Patent**
Treadwell

(10) **Patent No.:** **US D507,661 S**

(45) **Date of Patent:** **** Jul. 19, 2005**

(54) **HUNTER'S TREE STAND**

5,564,524 A 10/1996 Thaggard
D396,303 S * 7/1998 Odom et al. D25/62

(76) **Inventor:** **Charles R. Treadwell**, 5556 Clarks
Bridge Rd., Clermont, GA (US) 30527

* cited by examiner

(**) **Term:** **14 Years**

Primary Examiner—Doris Clark

(74) *Attorney, Agent, or Firm*—James L. Bean

(21) **Appl. No.:** **29/205,635**

(57) **CLAIM**

(22) **Filed:** **May 19, 2004**

The ornamental design for a hunter's tree stand, substantially as shown and described.

(51) **LOC (8) Cl.** **25-04**

(52) **U.S. Cl.** **D25/62**

(58) **Field of Search** D25/62, 64; 182/180.1,
182/115, 116, 187

DESCRIPTION

FIG. 1 is a perspective view of a hunter's tree stand showing my new design;

FIG. 2 is a front elevation view thereof;

FIG. 3 is a rear elevation view thereof;

FIG. 4 is a side elevation view of one side thereof, the opposite side being a mirror image thereof;

FIG. 5 is a top view thereof; and,

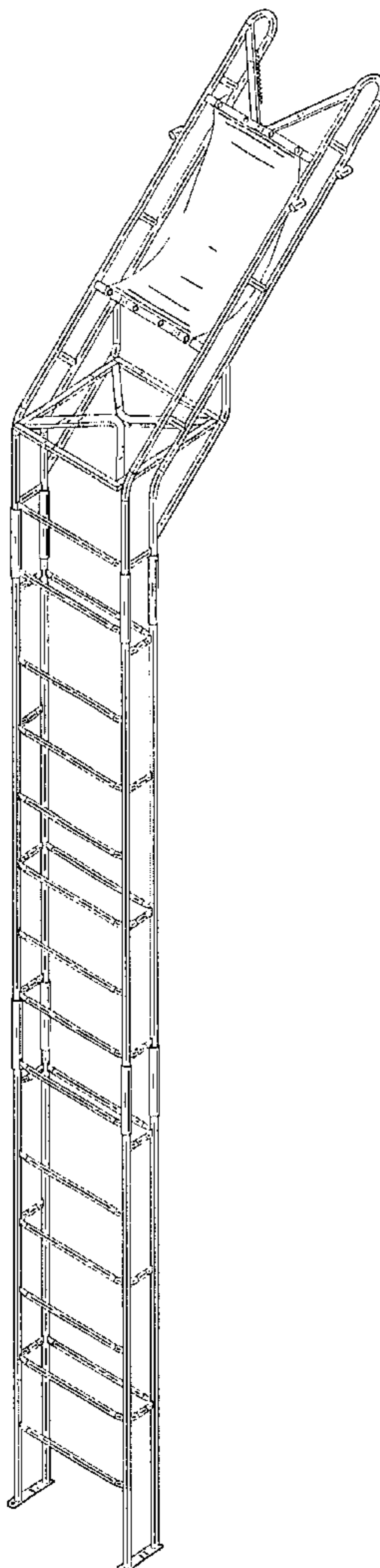
FIG. 6 is a bottom view thereof.

(56) **References Cited**

U.S. PATENT DOCUMENTS

- 3,336,999 A 8/1967 McSwain
- 3,630,314 A 12/1971 Bamberg
- 5,016,732 A 5/1991 Dunn
- 5,279,390 A 1/1994 Phillips
- D344,346 S * 2/1994 LoboZZo D25/62

1 Claim, 4 Drawing Sheets



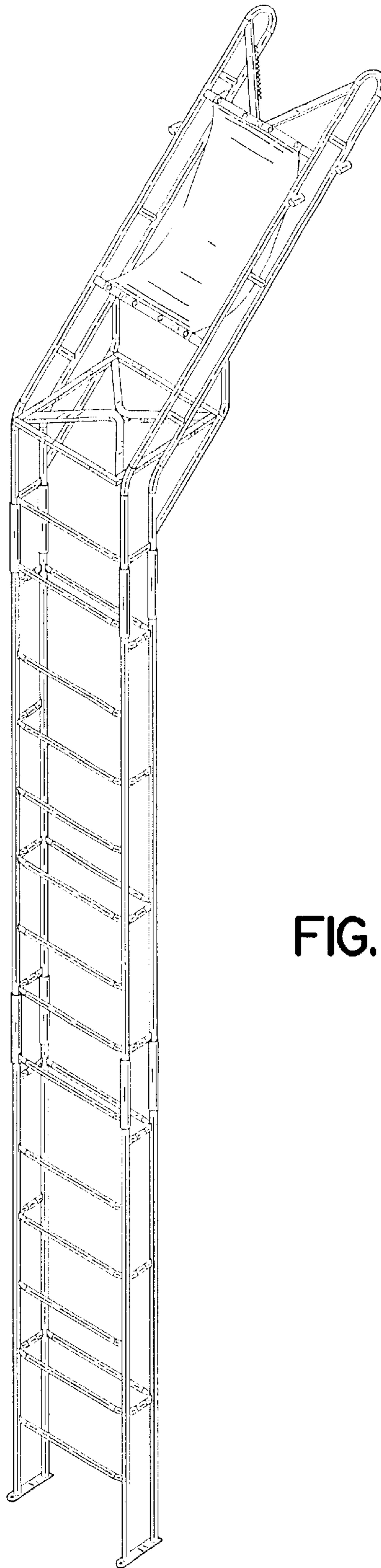


FIG. 1

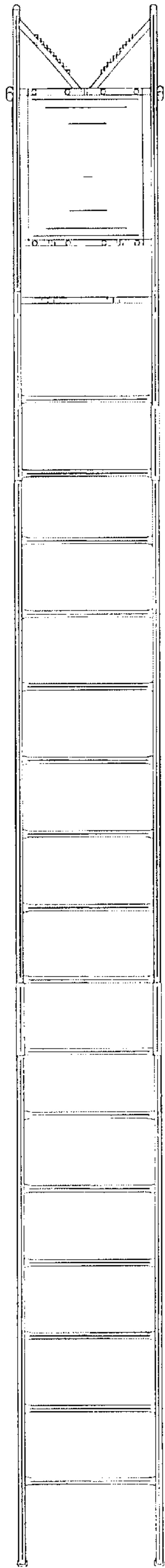


FIG. 2

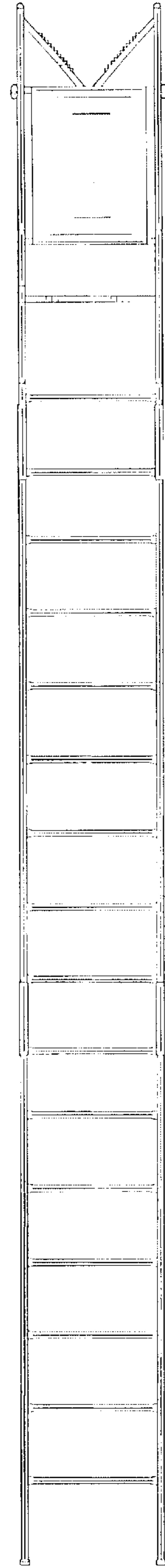


FIG. 3

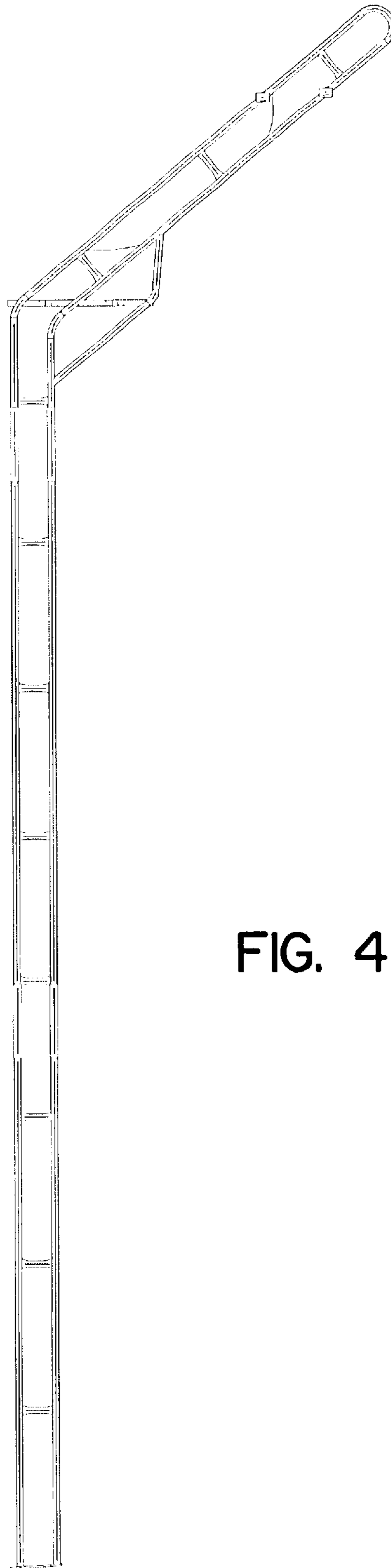


FIG. 4

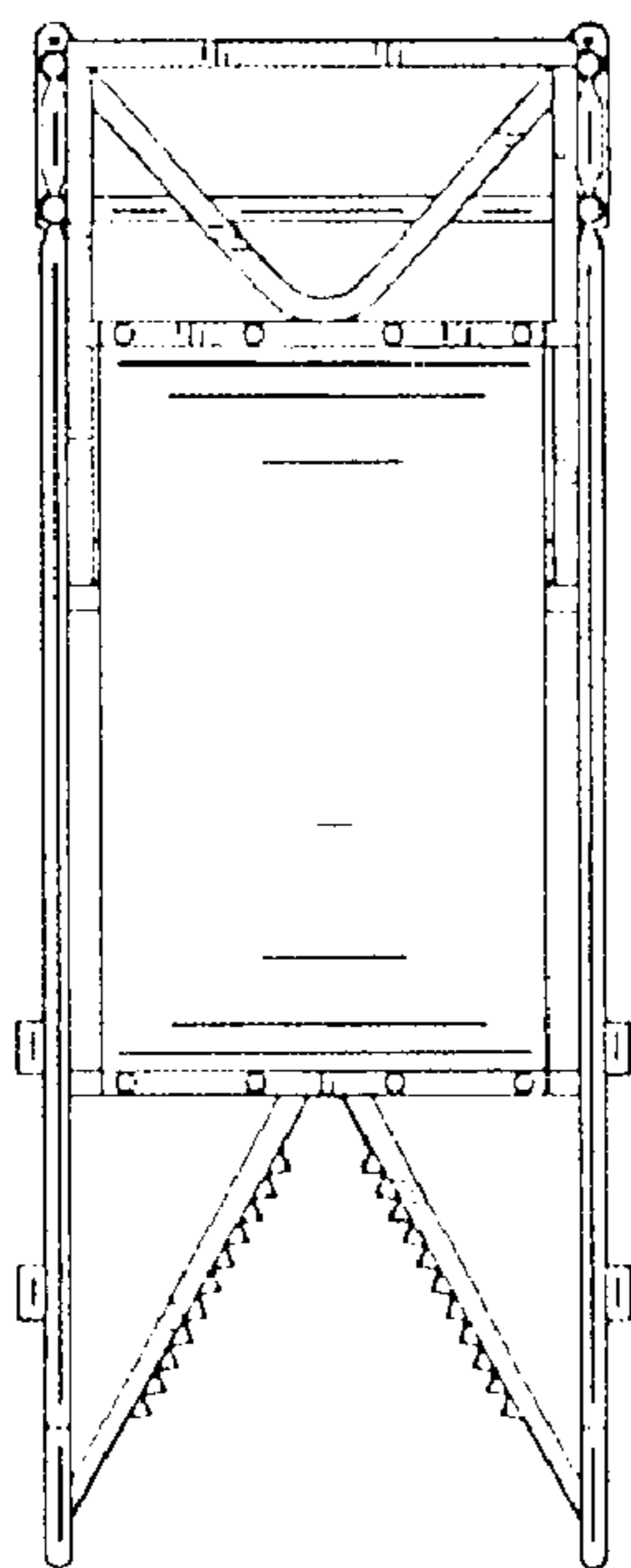


FIG. 5

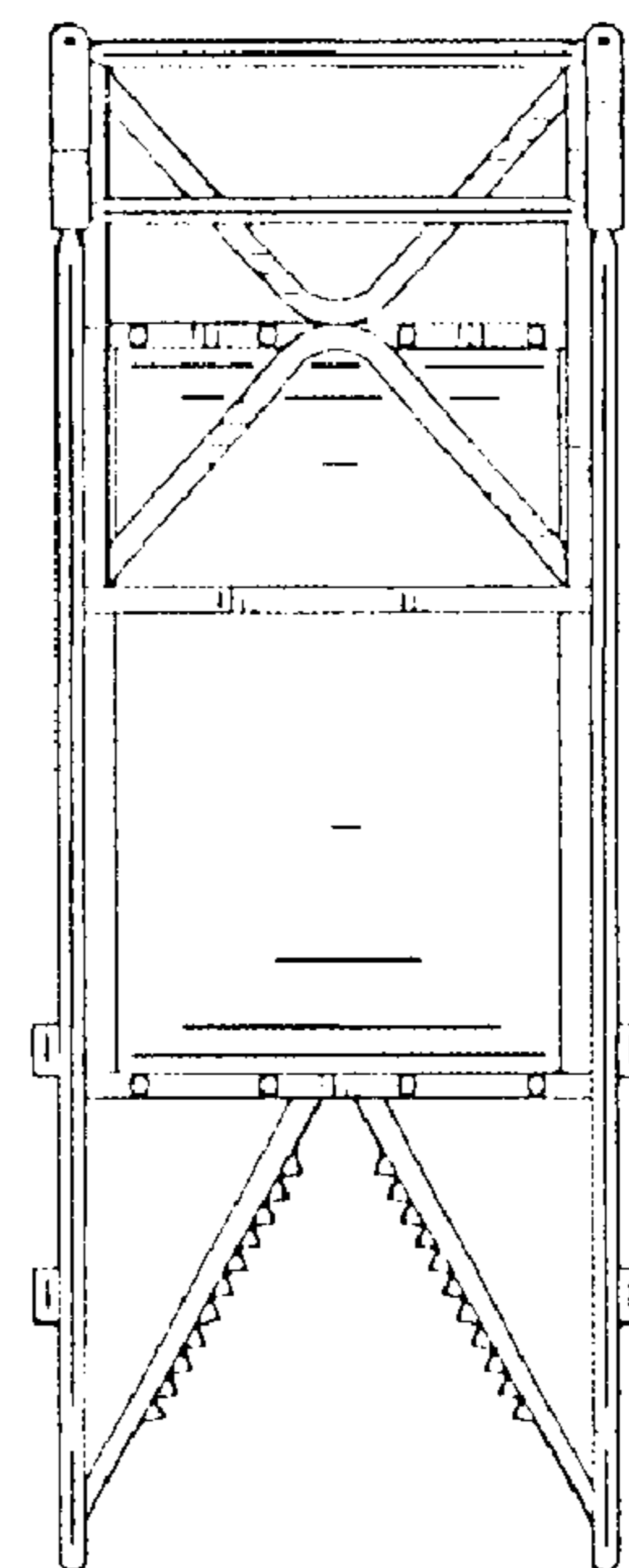


FIG. 6