

US00D507657S

(12) **United States Design Patent** (10) **Patent No.:** **US D507,657 S**
Neel et al. (45) **Date of Patent:** **** Jul. 19, 2005**

(54) **METER FOR AN INTEGRATED DIAGNOSTIC TEST SYSTEM**

(75) Inventors: **Gary T. Neel**, Weston, FL (US); **Allan Javier Caban**, Lakeworth, FL (US)

(73) Assignee: **Home Diagnostics, Inc.**, Fort Lauderdale, FL (US)

(**) Term: **14 Years**

(21) Appl. No.: **29/206,526**

(22) Filed: **Jun. 2, 2004**

(51) **LOC (8) Cl.** **24-01**

(52) **U.S. Cl.** **D24/224; D24/169; D10/102**

(58) **Field of Search** D24/169, 216, D24/224, 231; D10/49, 75, 81, 102, 103; 600/322; 436/810; 422/99, 102; 435/283.1, 288.1, 304.1

5,096,669 A 3/1992 Lauks et al.
 5,104,619 A 4/1992 de Castro
 5,108,889 A 4/1992 Smith et al.
 5,149,505 A 9/1992 English et al.
 5,279,294 A 1/1994 Anderson et al.
 D347,584 S * 6/1994 Vogelpohl D10/49
 D351,797 S * 10/1994 White D10/15
 5,413,764 A 5/1995 Haar
 5,429,804 A 7/1995 Sayles
 D362,635 S * 9/1995 Weichhold et al. D10/102
 5,464,118 A 11/1995 Grau et al.
 D367,109 S 2/1996 Ryner et al.
 5,489,414 A 2/1996 Schreiber et al.
 5,510,266 A 4/1996 Bonner et al.
 5,575,403 A 11/1996 Charlton et al.
 5,630,986 A 5/1997 Charlton et al.
 5,639,424 A 6/1997 Rausnitz

(Continued)

Primary Examiner—Louis S. Zarfaz
Assistant Examiner—Melanie Levy
 (74) *Attorney, Agent, or Firm*—Finnegan, Henderson, Farabow, Garrett & Dunner, L.L.P.

(56) **References Cited**
 U.S. PATENT DOCUMENTS

D57,941 S * 5/1921 Smithey D10/103
 2,072,796 A 3/1937 Christopher
 3,964,871 A 6/1976 Hochstrasser
 4,059,407 A 11/1977 Hochstrasser
 4,218,421 A 8/1980 Mack et al.
 4,615,462 A 10/1986 Sacherer et al.
 4,627,445 A 12/1986 Garcia et al.
 4,637,403 A 1/1987 Garcia et al.
 4,690,801 A 9/1987 Anderson
 4,717,018 A 1/1988 Sacherer et al.
 4,757,022 A 7/1988 Shults et al.
 4,787,398 A 11/1988 Garcia et al.
 4,797,256 A 1/1989 Watlington, IV
 4,834,234 A 5/1989 Sacherer et al.
 4,871,258 A 10/1989 Herpichboehm et al.
 4,876,068 A 10/1989 Castaneda
 4,877,580 A 10/1989 Aronowitz et al.
 4,905,866 A 3/1990 Bartell et al.
 4,934,556 A 6/1990 Kleissendorf
 4,995,402 A 2/1991 Smith et al.
 5,087,556 A 2/1992 Ertinghausen

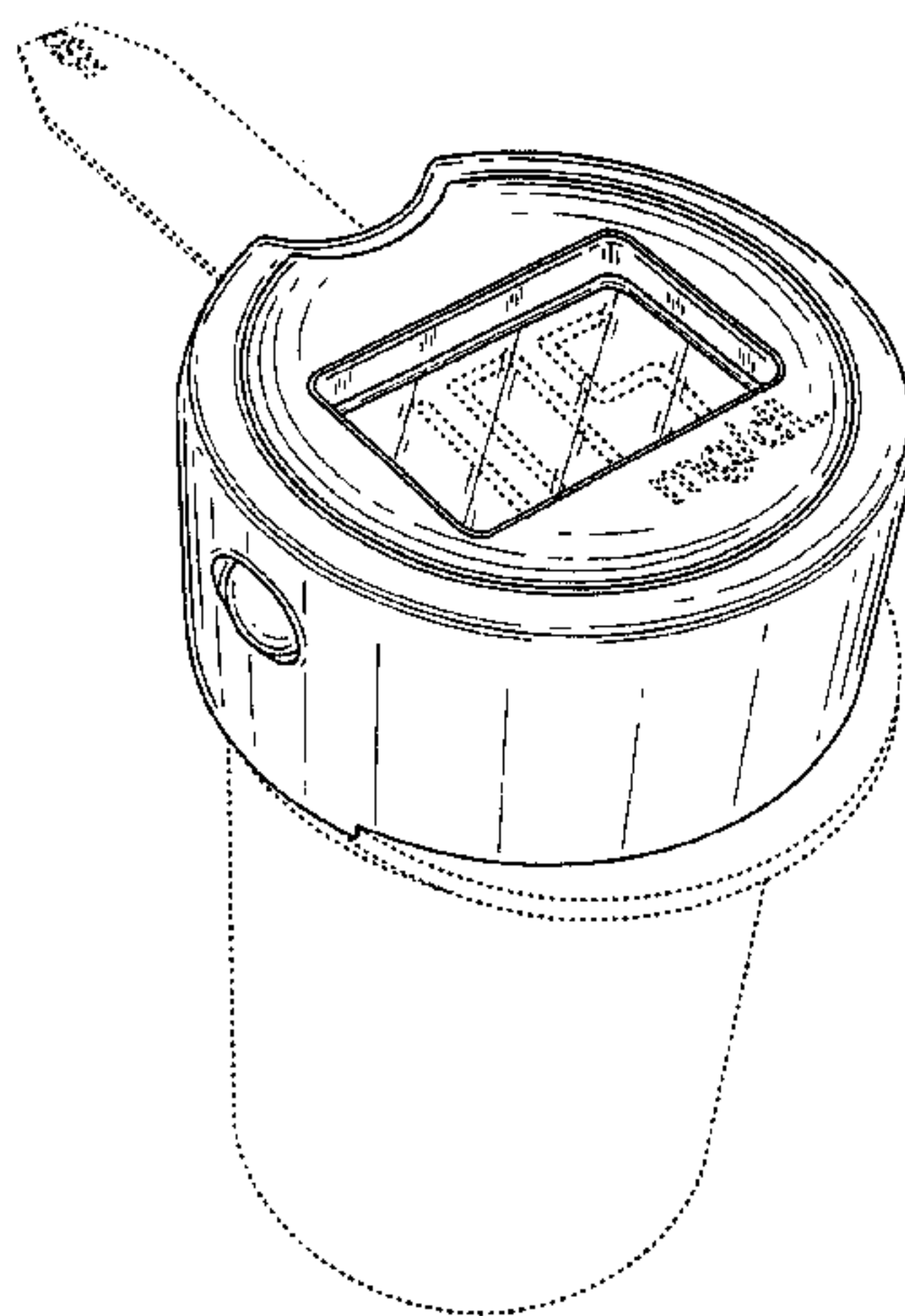
(57) **CLAIM**

The ornamental design for a meter for an integrated diagnostic test system, as shown and described.

DESCRIPTION

FIG. 1 is a front perspective view of our meter for an integrated diagnostic system;
 FIG. 2 is a rear perspective view thereof;
 FIG. 3 is a top view thereof;
 FIG. 4 is a rear view thereof;
 FIG. 5 is a left side view thereof;
 FIG. 6 is a front view thereof; and,
 FIG. 7 is a right side view thereof.
 The bottom of our meter for an integrated diagnostic test system is not visible during normal use and does not form part of the claimed design. The broken lines in the figures are for illustrative purposes only and do not form part of the claimed invention.

1 Claim, 7 Drawing Sheets



U.S. PATENT DOCUMENTS

5,645,798 A	7/1997	Schreiber et al.	6,544,475 B1	4/2003	Douglas et al.
5,649,642 A	7/1997	Mabry et al.	6,558,897 B2	5/2003	Scheuringer
5,695,623 A	12/1997	Michel et al.	6,581,799 B1	6/2003	Garrant et al.
5,709,838 A	1/1998	Porter et al.	6,612,461 B2	9/2003	Layer et al.
5,728,352 A	3/1998	Poto et al.	6,623,698 B2	9/2003	Kuo
5,736,103 A	4/1998	Pugh	6,669,908 B2	12/2003	Weyker et al.
5,738,244 A	4/1998	Charlton et al.	6,682,704 B2	1/2004	Bottwein et al.
5,791,514 A	8/1998	Kirk, III et al.	D487,594 S	3/2004	Alscher et al.
5,795,543 A	8/1998	Poto et al.	D491,275 S *	6/2004	Walters et al. D24/224
5,810,199 A	9/1998	Charlton et al.	2002/0057993 A1	5/2002	Maisey et al.
5,821,399 A	10/1998	Zelin	2002/0150501 A1	10/2002	Robertson et al.
5,854,074 A	12/1998	Charlton et al.	2002/0188224 A1	12/2002	Roe et al.
5,872,713 A	2/1999	Douglas et al.	2003/0031591 A1	2/2003	Whitson et al.
5,904,898 A	5/1999	Markart	2003/0031595 A1	2/2003	Kirchhevel et al.
5,950,865 A	9/1999	Menes	2003/0032190 A1	2/2003	Brown et al.
5,951,492 A	9/1999	Douglas et al.	2003/0036200 A1	2/2003	Charlton
5,989,917 A	11/1999	McAleer et al.	2003/0059350 A1	3/2003	Sacherer
6,036,924 A	3/2000	Simons et al.	2003/0109777 A1	6/2003	Kloepfer et al.
D429,527 S *	8/2000	Bolam et al. D24/169	2003/0129088 A1	7/2003	Lee et al.
6,099,484 A	8/2000	Douglas et al.	2003/0133847 A1	7/2003	Hagen et al.
6,106,780 A	8/2000	Douglas et al.	2003/0161762 A1	8/2003	Caron et al.
6,135,314 A	10/2000	Menes	2003/0175155 A1	9/2003	Charlton
6,159,424 A	12/2000	Kauhaniemi et al.	2003/0185705 A1	10/2003	Otake
6,176,119 B1	1/2001	Kintzig	2003/0185708 A1	10/2003	Otake
6,180,063 B1	1/2001	Markart	2003/0186446 A1	10/2003	Pugh
6,192,891 B1	2/2001	Gravel et al.	2003/0191415 A1	10/2003	Moerman et al.
6,300,142 B1	10/2001	Andrewes et al.	2003/0207454 A1	11/2003	Eyster et al.
6,315,738 B1	11/2001	Nishikawa et al.	2003/0208140 A1	11/2003	Pugh
6,319,209 B1	11/2001	Kriz	2003/0211625 A1	11/2003	Cohen et al.
6,352,514 B1	3/2002	Douglas	2003/0212345 A1	11/2003	McAllister et al.
6,361,744 B1 *	3/2002	Levy 422/99	2003/0219357 A1	11/2003	Douglas et al.
6,379,317 B1	4/2002	Kintzig et al.	2003/0223906 A1	12/2003	McAllister et al.
D472,175 S *	3/2003	Welsh D10/81	2004/0007585 A1	1/2004	Griffith et al.
6,540,675 B2	4/2003	Aceti et al.	2004/0048394 A1	3/2004	Kirchhevel

* cited by examiner

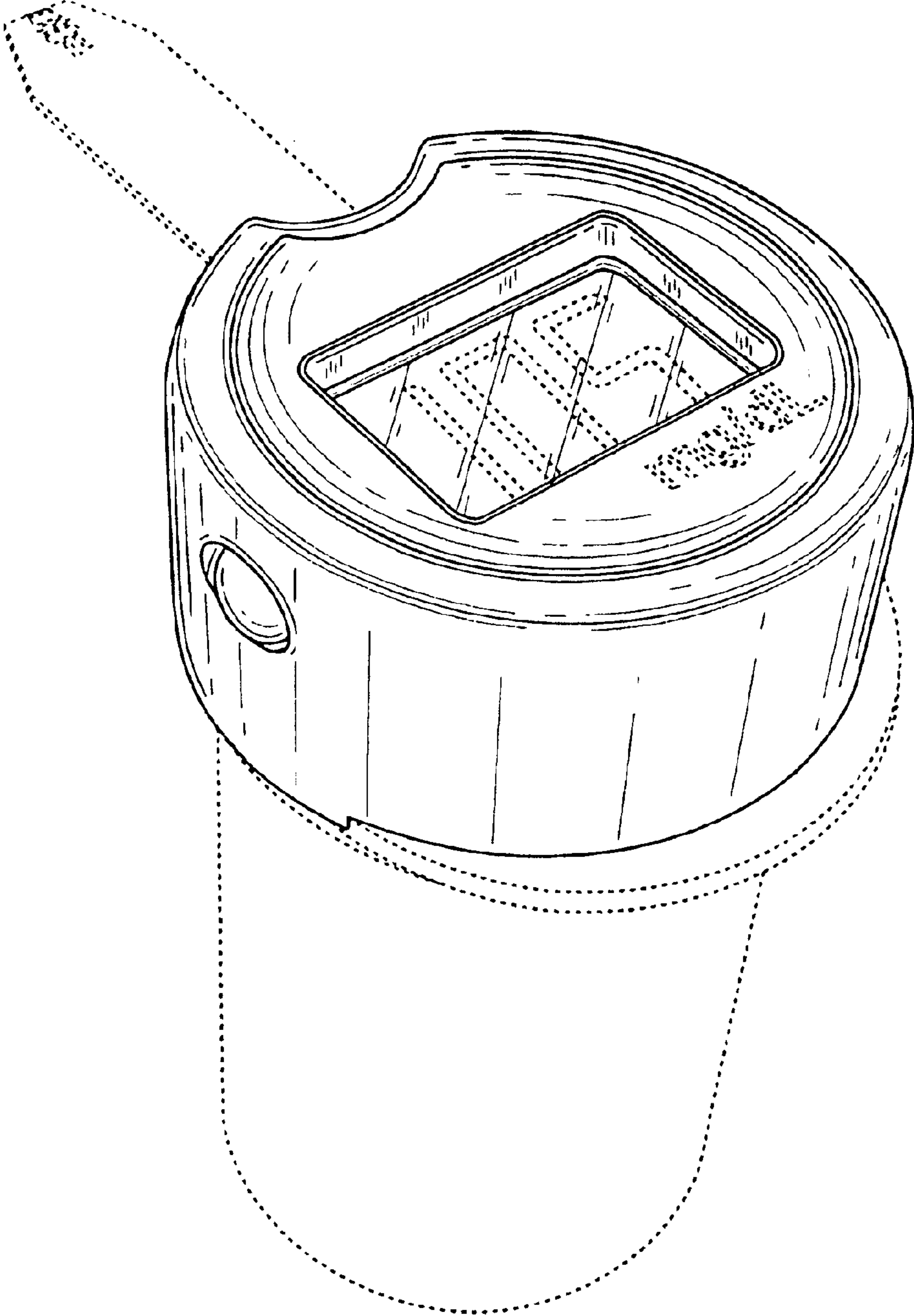


FIG. 1

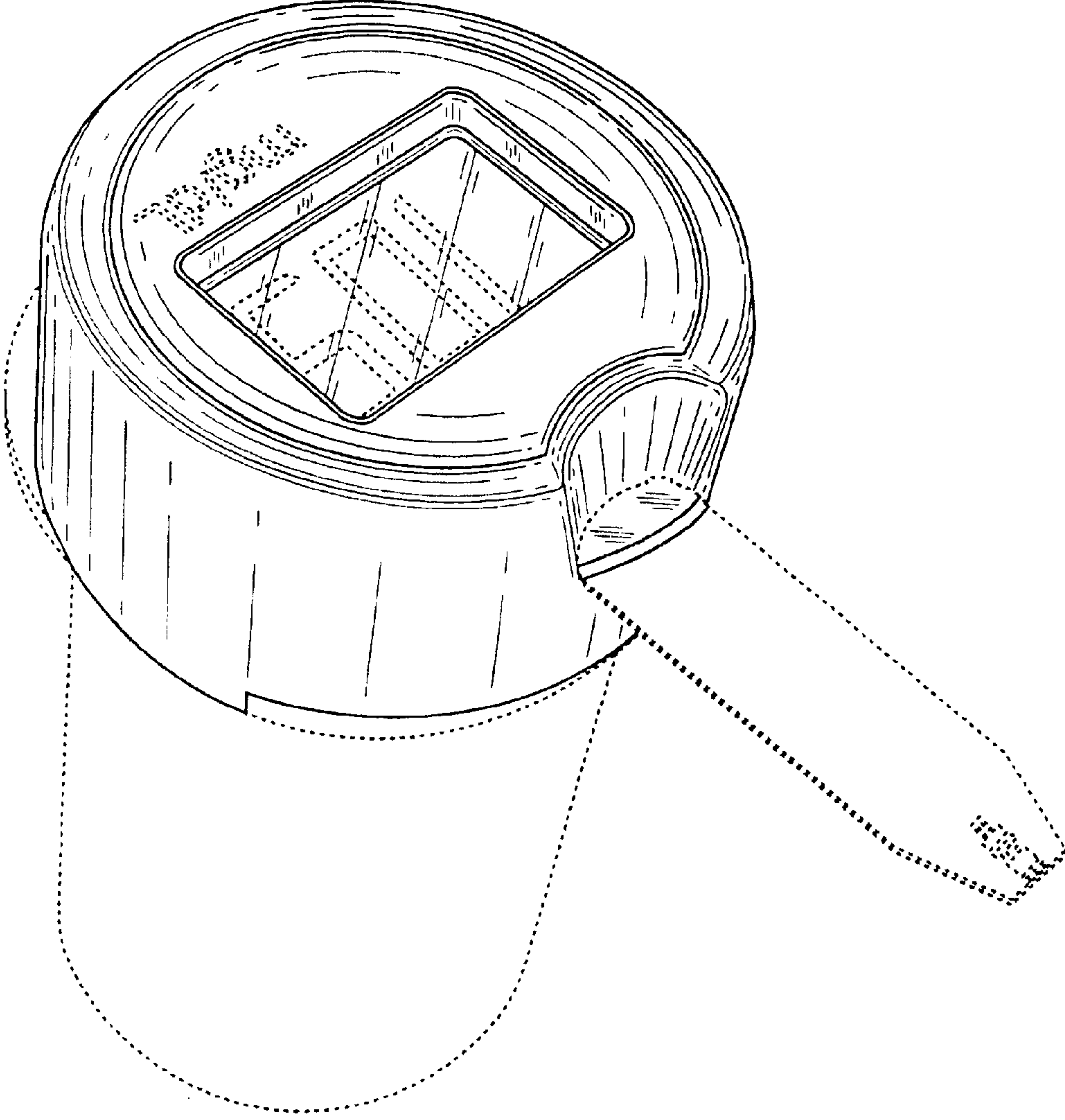


FIG. 2

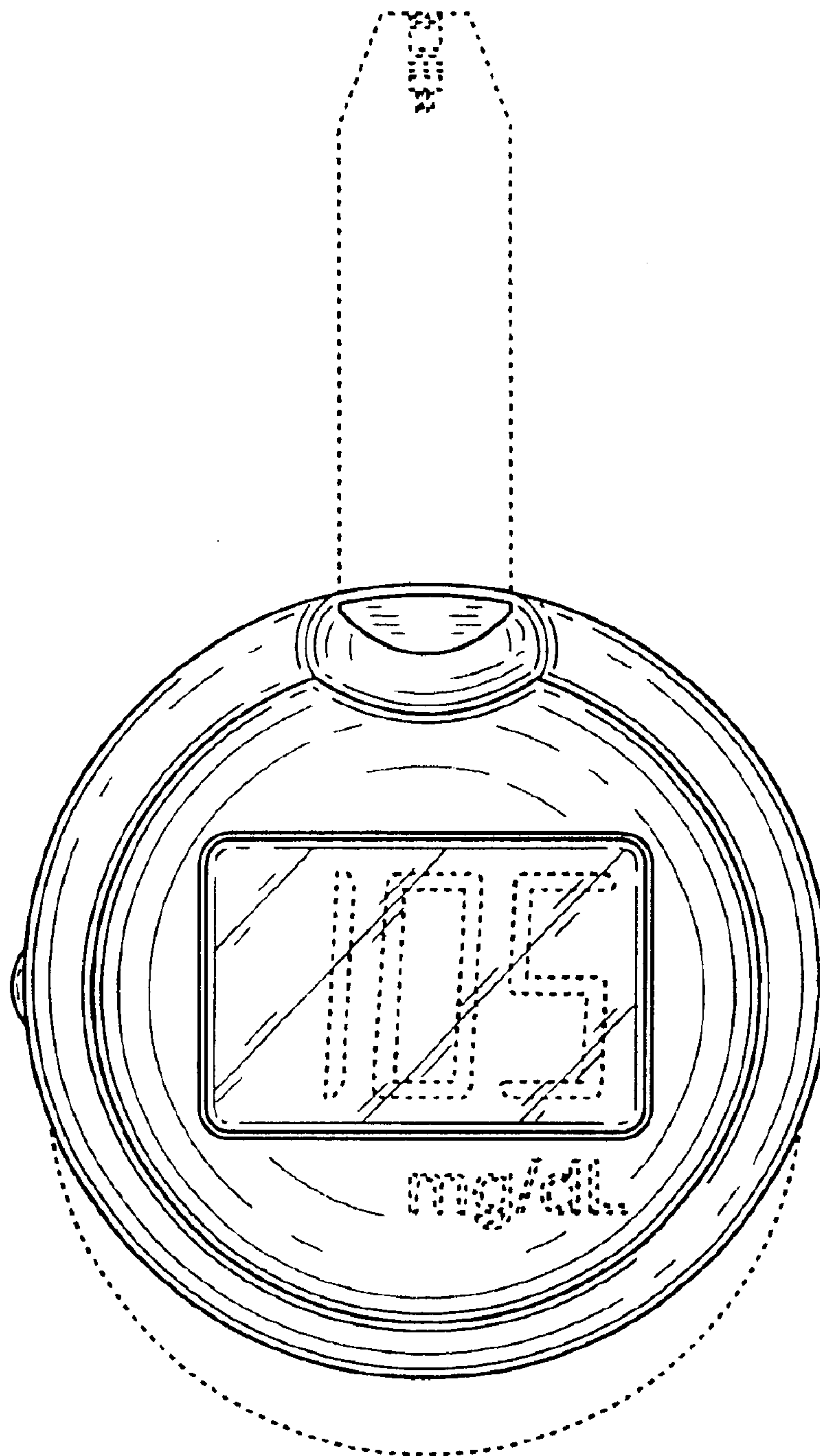


FIG. 3

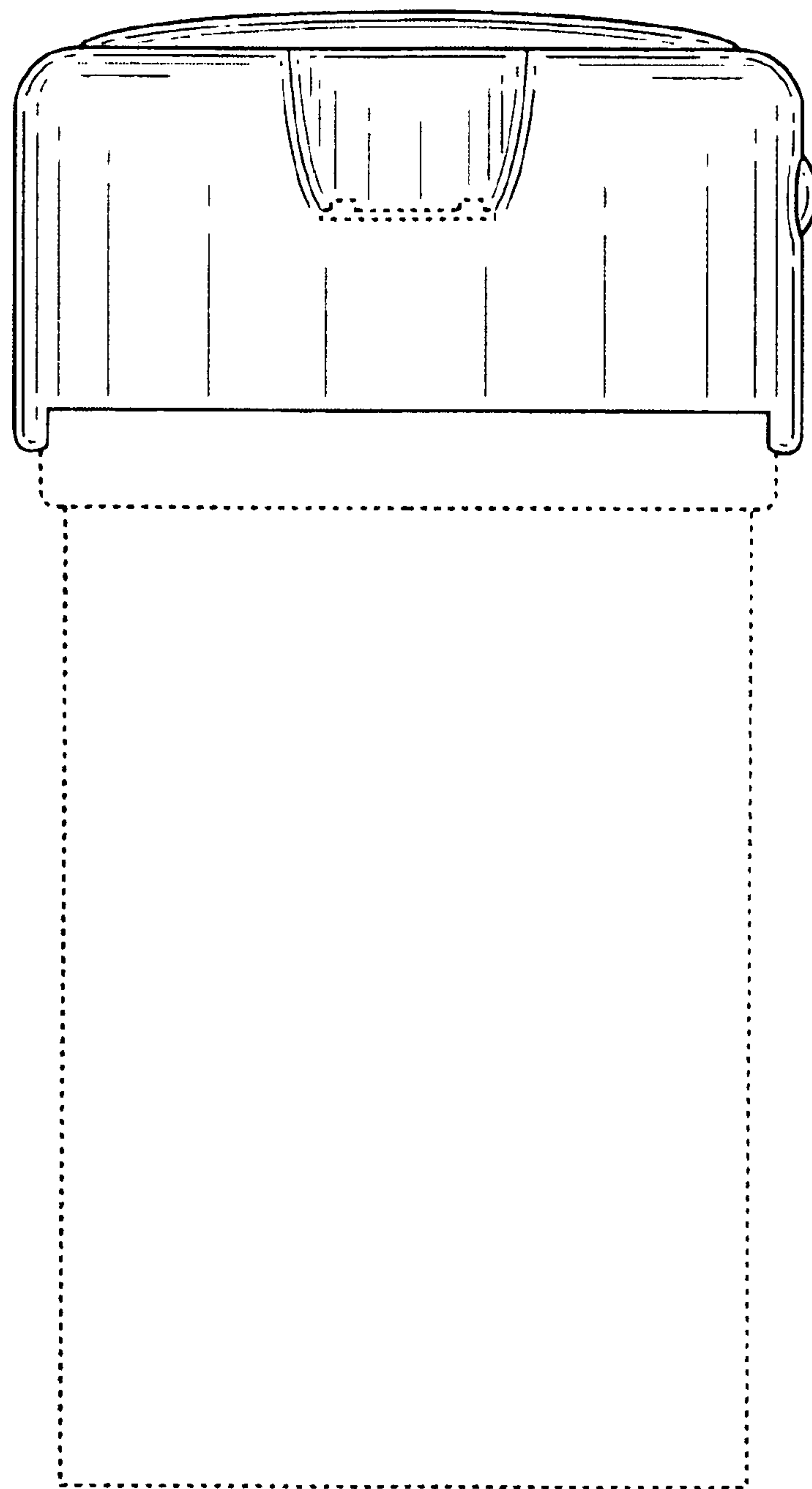


FIG. 4

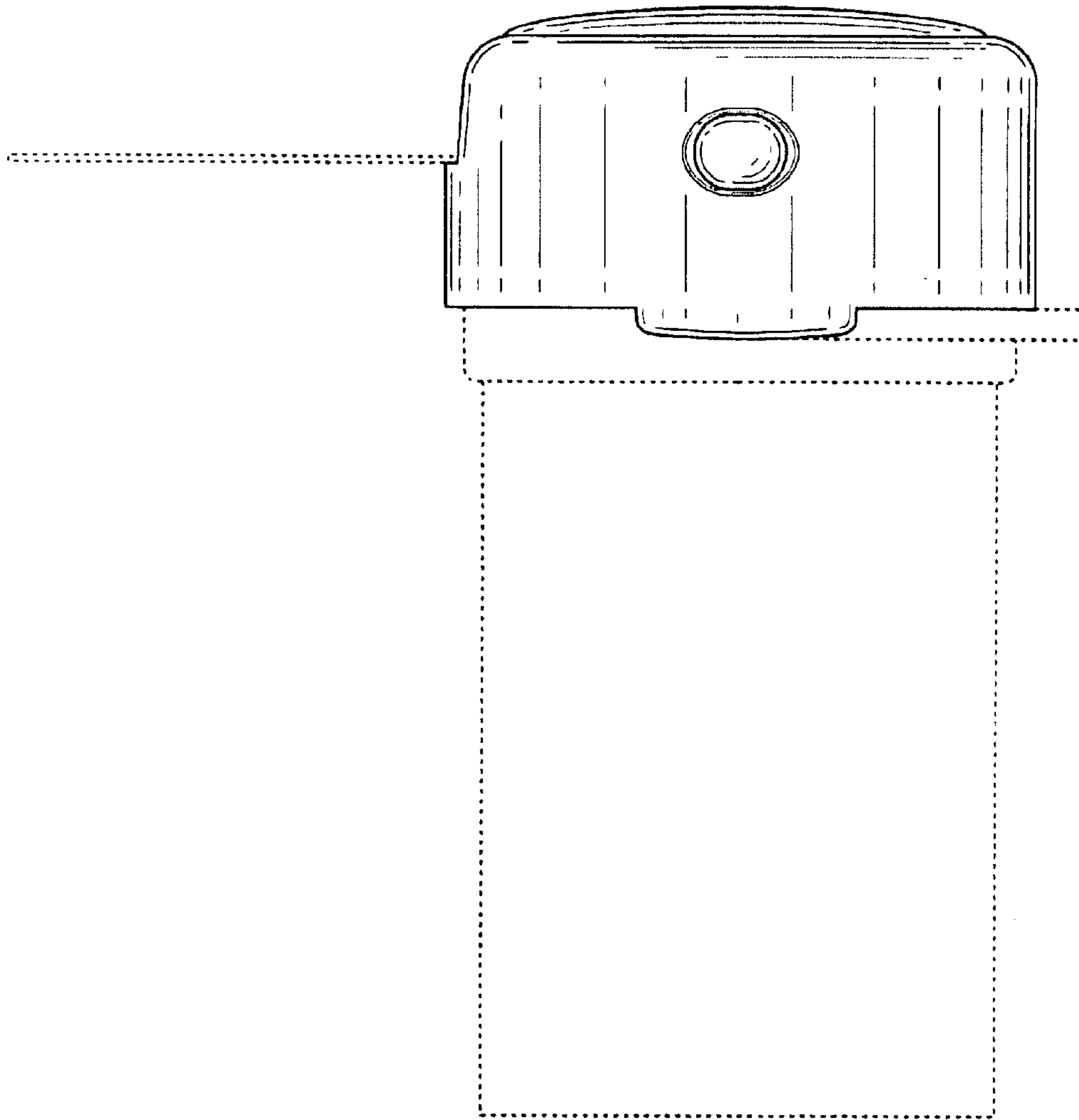


FIG. 5

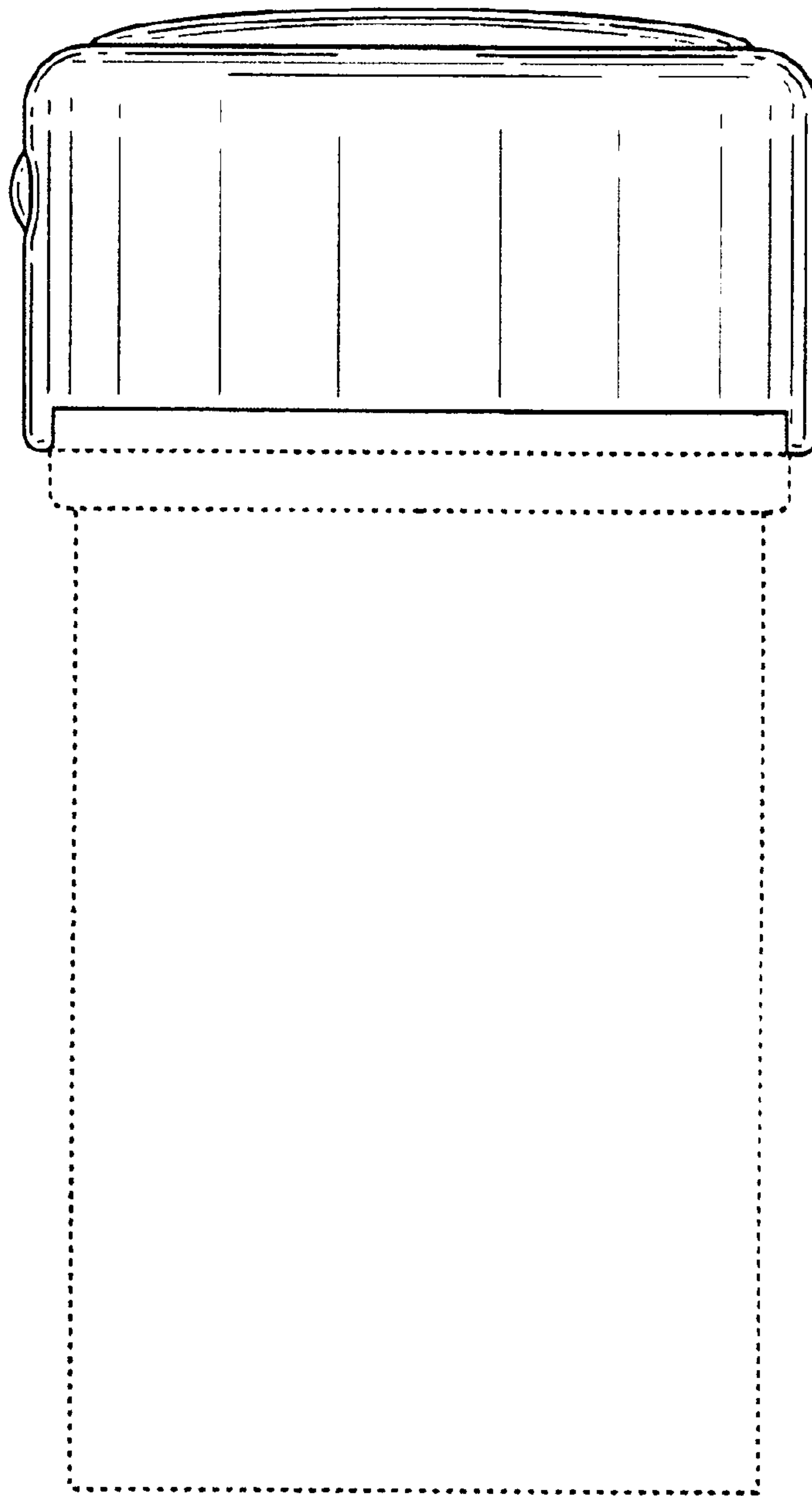


FIG. 6

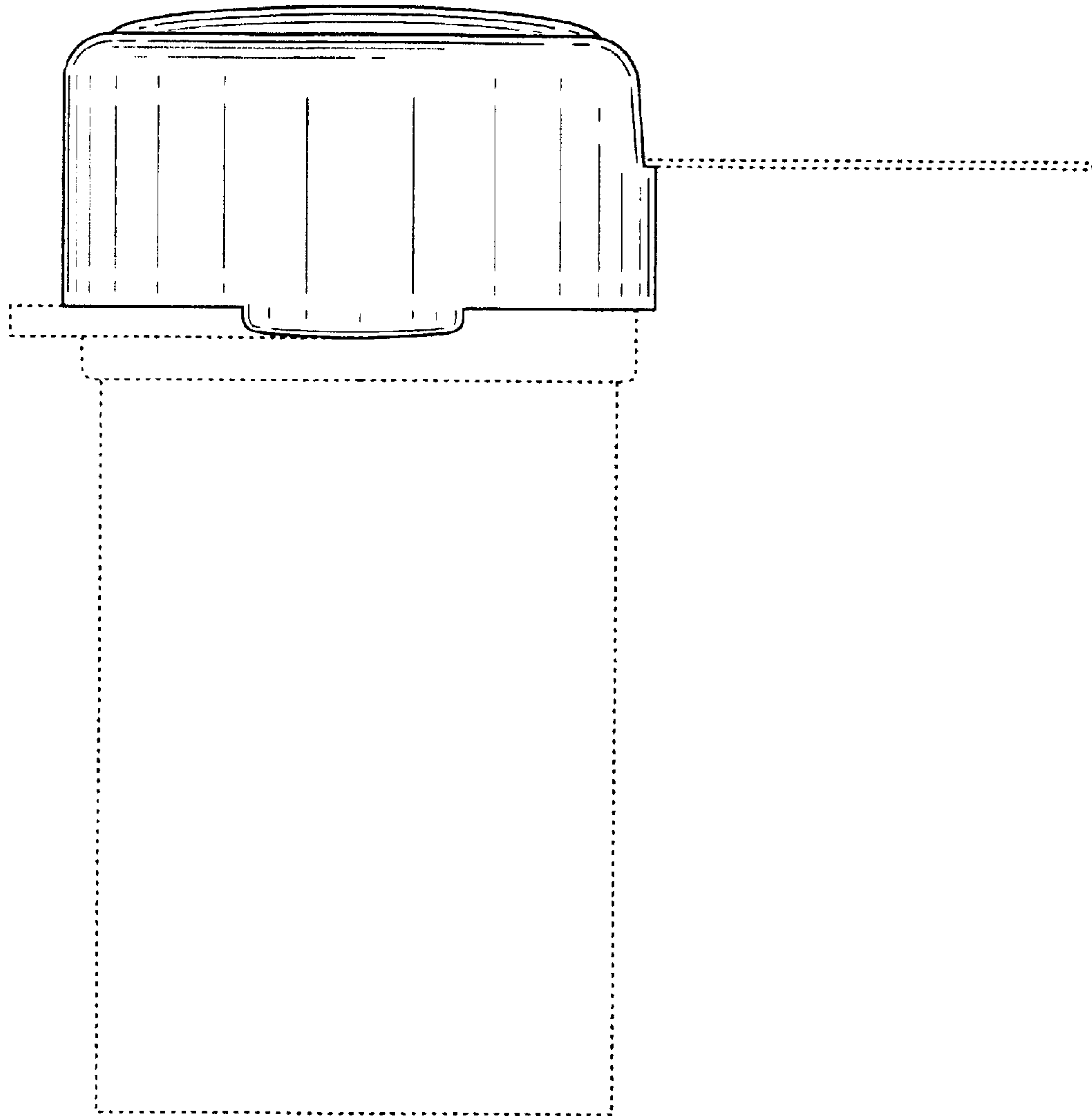


FIG. 7