



US00D507655S

(12) **United States Design Patent**  
**Haddock**

(10) **Patent No.:** **US D507,655 S**

(45) **Date of Patent:** **\*\* Jul. 19, 2005**

(54) **MASSAGER**

(76) **Inventor:** **Phillip W. Haddock**, 10509 Rawhide Trail, Austin, TX (US) 78736-2710

(\*\*) **Term:** **14 Years**

(21) **Appl. No.:** **29/198,144**

(22) **Filed:** **Jan. 26, 2004**

**Related U.S. Application Data**

(62) Division of application No. 29/168,916, filed on Oct. 10, 2002, now Pat. No. Des. 486,235.

(51) **LOC (8) Cl.** ..... **28-03**

(52) **U.S. Cl.** ..... **D24/211**

(58) **Field of Search** ..... D24/211, 212, 214, 215, 200; D21/735; 601/113, 118, 110, 115, 135, 134, 137, 136, 131, 130

(56) **References Cited**

**U.S. PATENT DOCUMENTS**

1,615,910 A	2/1927	Nuyts	
D104,495 S	* 5/1937	Gallagher	D21/735
2,258,931 A	* 10/1941	Heer et al.	D24/211
2,752,915 A	* 7/1956	Riblet	D24/212
4,493,315 A	1/1985	Iwahashi	128/60
D314,620 S	2/1991	Battaglia	D24/36
D371,607 S	7/1996	Taylor	D24/211
D373,195 S	8/1996	Hoff	D24/211

D381,083 S	7/1997	Ratajac	D24/211
D435,660 S	12/2000	Yoo	D24/211
6,245,031 B1	6/2001	Pearson	601/118
D447,527 S	9/2001	Hocknell et al.	D21/759
D448,439 S	9/2001	Hocknell et al.	D21/759

**OTHER PUBLICATIONS**

3 photographs of Rawlings "Deep Blue" or "Big Blue" or "Big Deep Blue" Titanium 400cc driver, a golf club in existence prior to the filing of the parent application to which the present application claims priority.

\* cited by examiner

*Primary Examiner*—Ian Simmons

(74) *Attorney, Agent, or Firm*—Fulbright & Jaworski L.L.P

(57) **CLAIM**

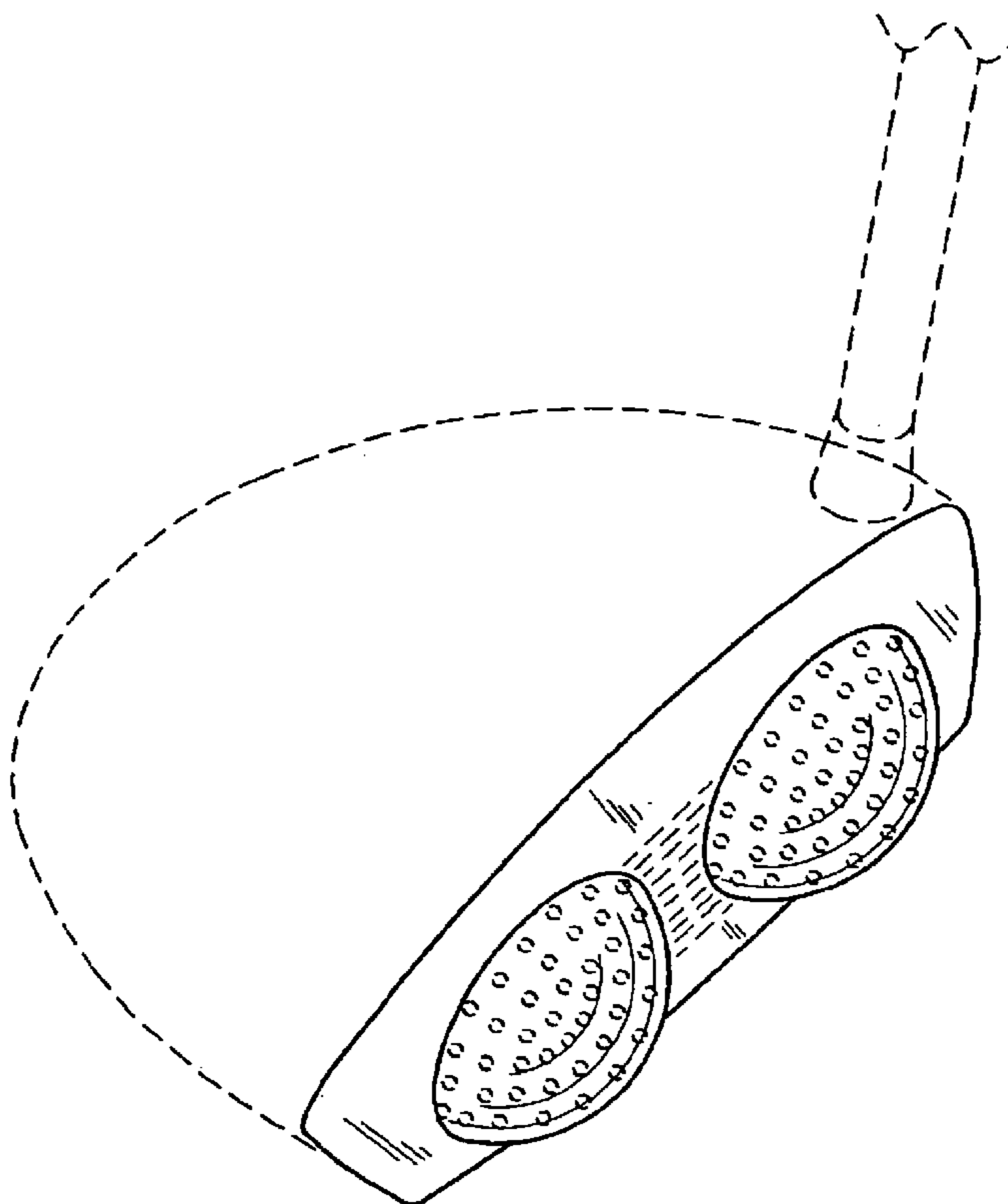
The ornamental design for a massager, as shown and described.

**DESCRIPTION**

FIG. 1 is a front view of a massager showing my new design; FIG. 2 is a left side view thereof; FIG. 3 is a right side view thereof; FIG. 4 is a top view thereof; FIG. 5 is a bottom view thereof; and, FIG. 6 is a perspective view thereof.

The broken lines shown in the figures illustrate environmental structure only, and form no part of the claimed design.

**1 Claim, 3 Drawing Sheets**



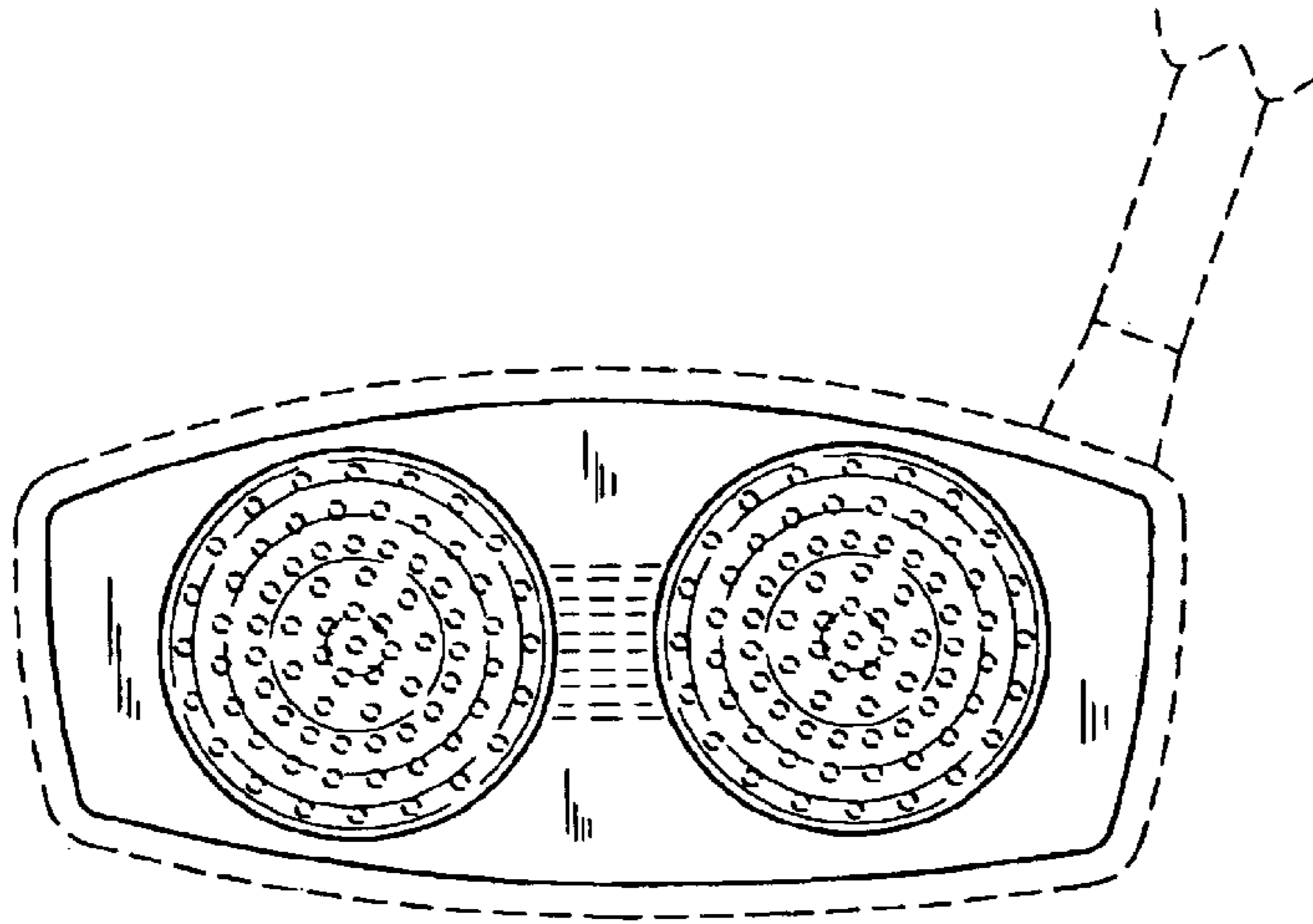


FIG. 1

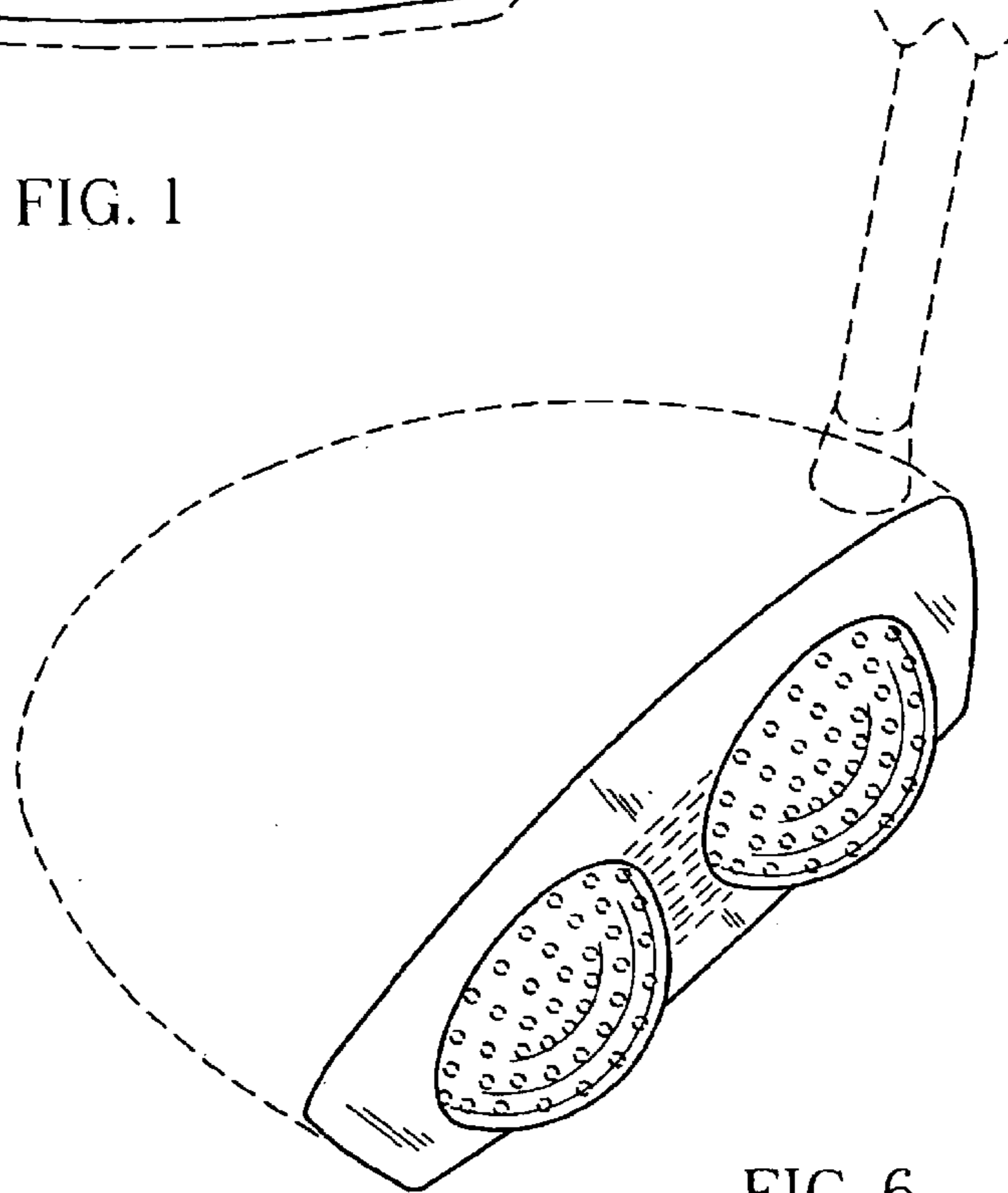


FIG. 6

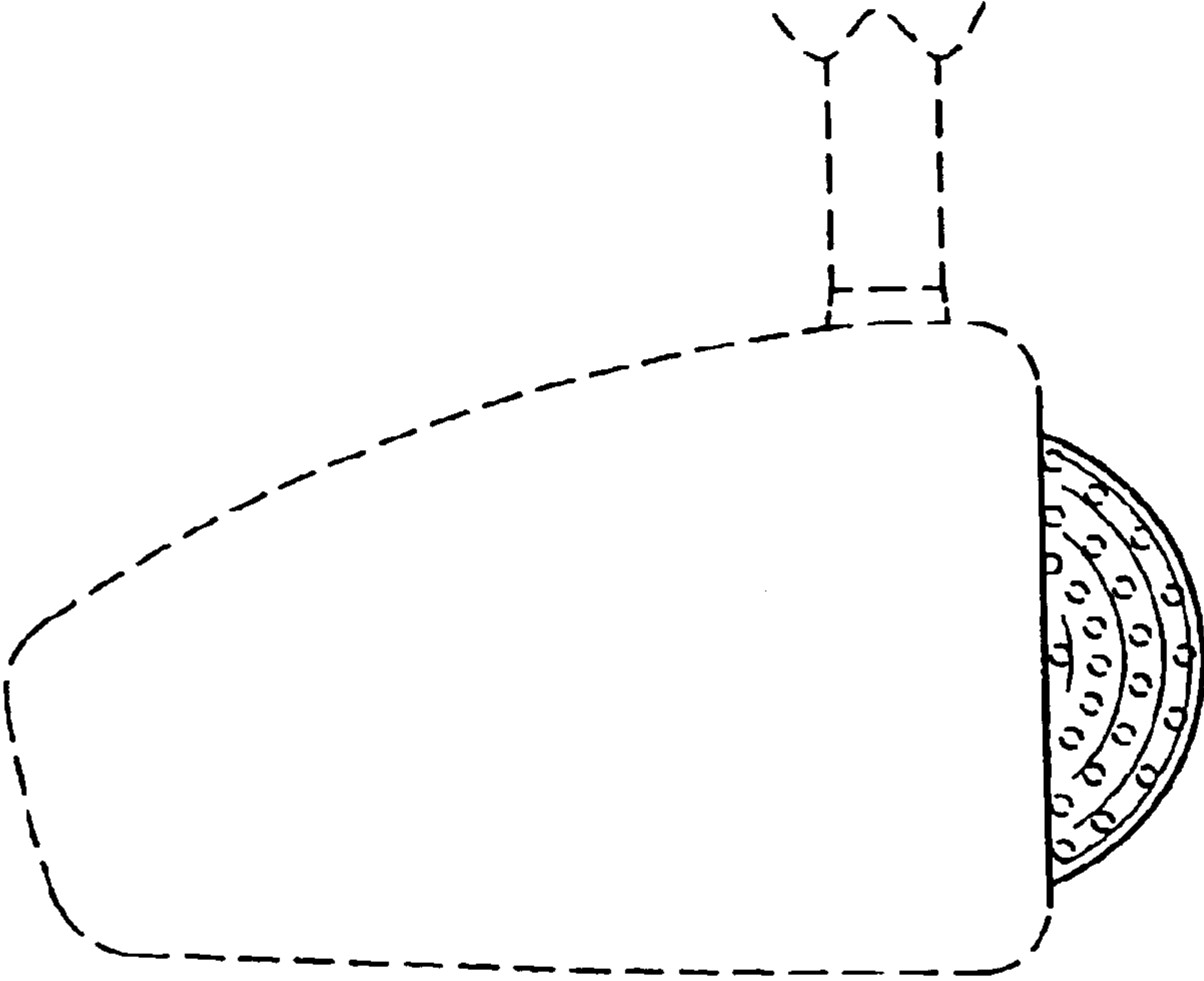


FIG. 2

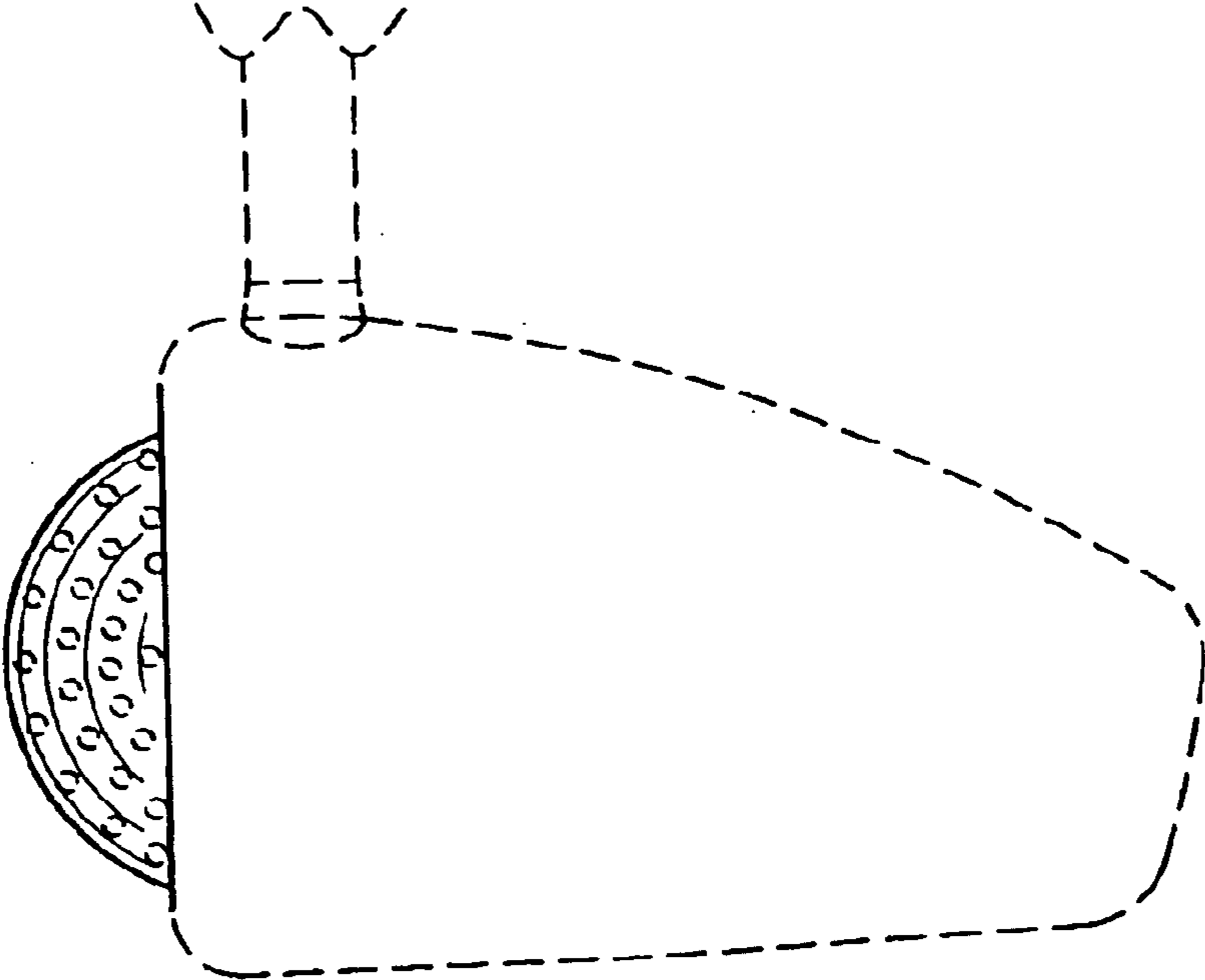


FIG. 3

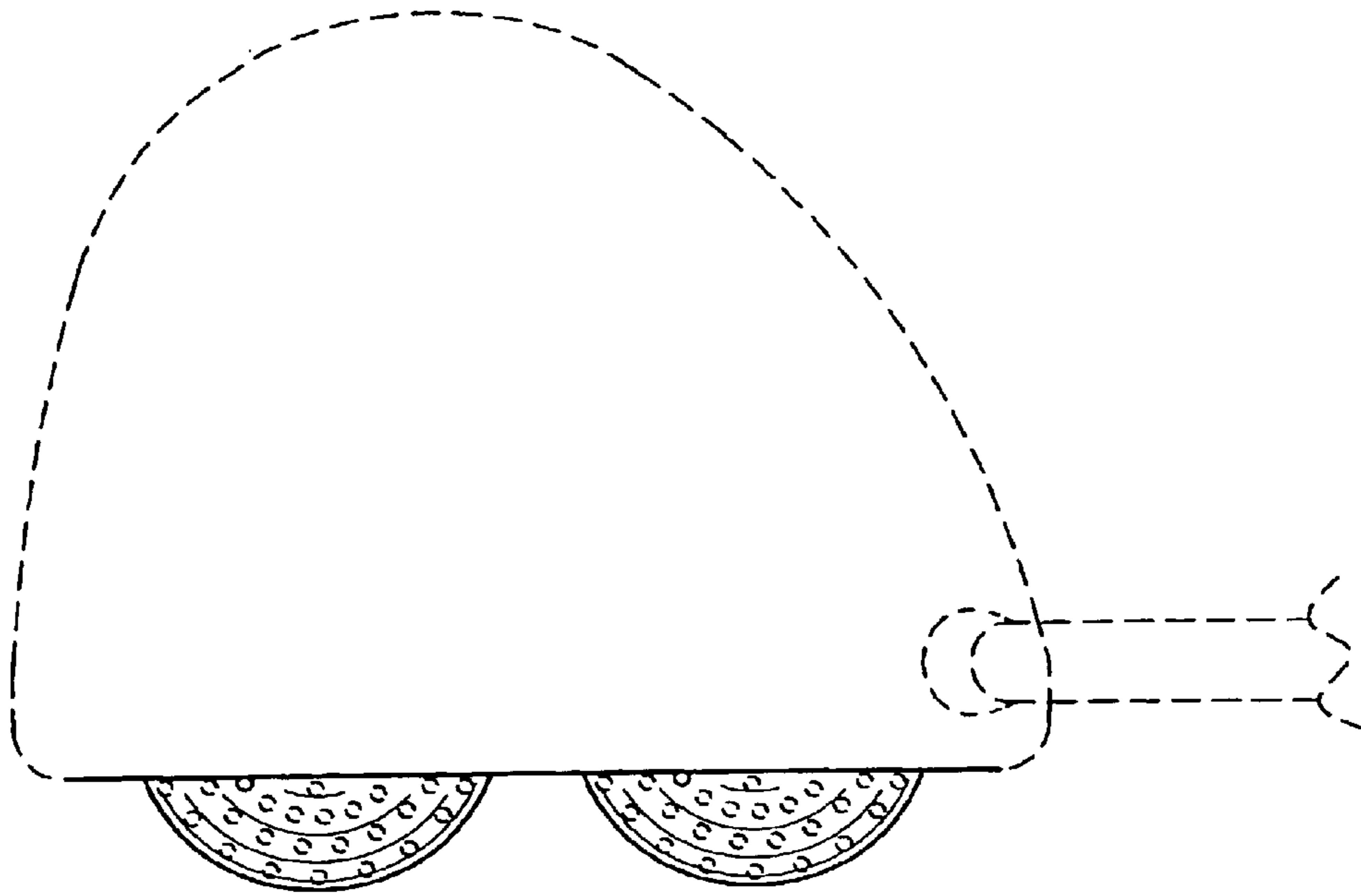


FIG. 4

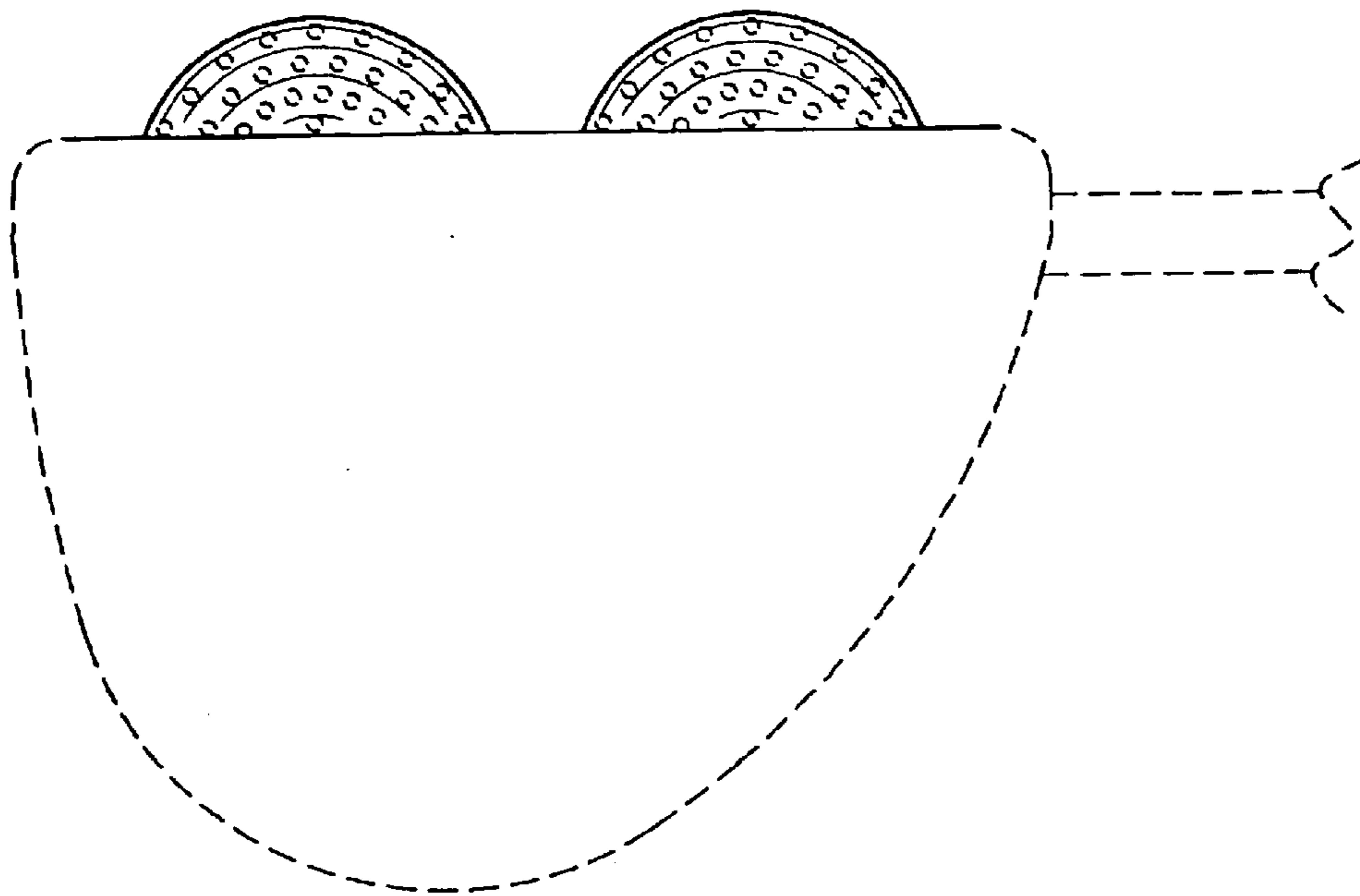


FIG. 5