



US00D507650S

(12) **United States Design Patent**  
**Teich**

(10) **Patent No.:** **US D507,650 S**  
(45) **Date of Patent:** **\*\* Jul. 19, 2005**

(54) **DENTAL IMPLANT WITH INTERNAL PASSAGEWAY**

(76) **Inventor:** **Thomas J. Teich**, 2740 S. Bristol, Suite 200, Santa Ana, CA (US) 92704

(\*\*) **Term:** **14 Years**

(21) **Appl. No.:** **29/213,448**

(22) **Filed:** **Sep. 17, 2004**

(51) **LOC (8) Cl.** ..... **24-03**

(52) **U.S. Cl.** ..... **D24/156**

(58) **Field of Search** ..... D24/155-157;  
D8/387; 606/73, 232, 121.1; 623/28, 26,  
32-36, 38

(56) **References Cited**

**U.S. PATENT DOCUMENTS**

D314,822 S	*	2/1991	Miller	.....	D24/156
D324,731 S	*	3/1992	Sullivan	.....	D24/156
D358,212 S	*	5/1995	Sullivan	.....	D24/156
D366,115 S	*	1/1996	Sullivan	.....	D24/156
5,899,940 A	*	5/1999	Carchidi et al.	.....	606/73
6,458,134 B1	*	10/2002	Songer et al.	.....	606/73

6,517,543 B1	*	2/2003	Berrepoets et al.	.....	606/73
2004/0127909 A1	*	7/2004	Morgan	.....	606/73
2004/0172031 A1	*	9/2004	Rubecamp et al.	.....	606/73
2004/0186478 A1	*	9/2004	Jackson	.....	606/73

\* cited by examiner

*Primary Examiner*—Charles A. Rademaker  
(74) *Attorney, Agent, or Firm*—Cahill, Von Hellens & Glazer P.L.C.

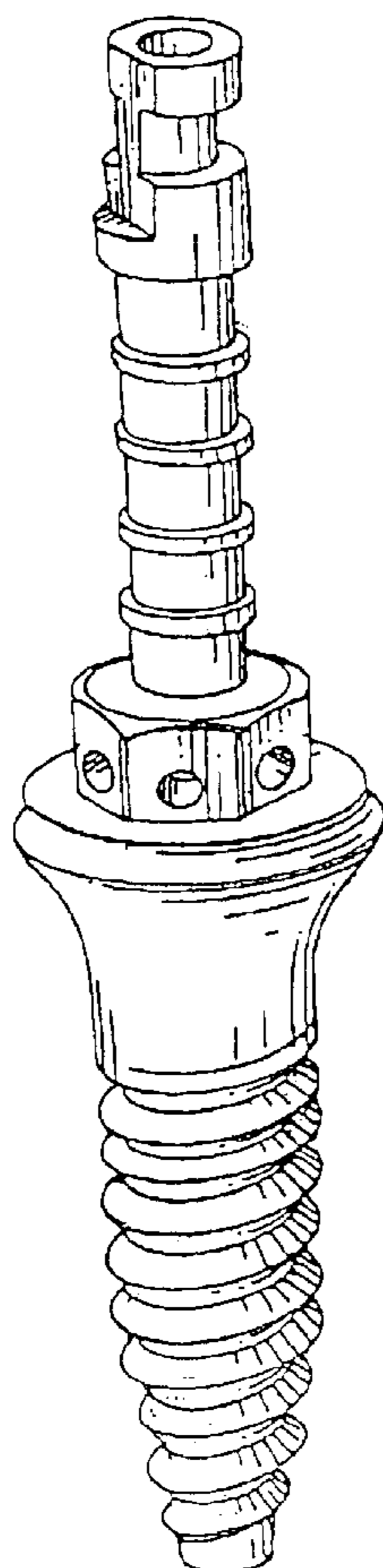
(57) **CLAIM**

The ornamental design for a dental implant with internal passageway, as shown and described.

**DESCRIPTION**

FIG. 1 is a perspective view of a dental implant with internal passageway showing my new design; FIG. 2 is a front elevation thereof shown on a slightly reduced scale, the side opposite being a mirror image; FIG. 3 is a right side elevation thereof the side opposite being a mirror image; FIG. 4 is a top plan view thereof; and, FIG. 5 is a bottom plan view thereof.

**1 Claim, 1 Drawing Sheet**



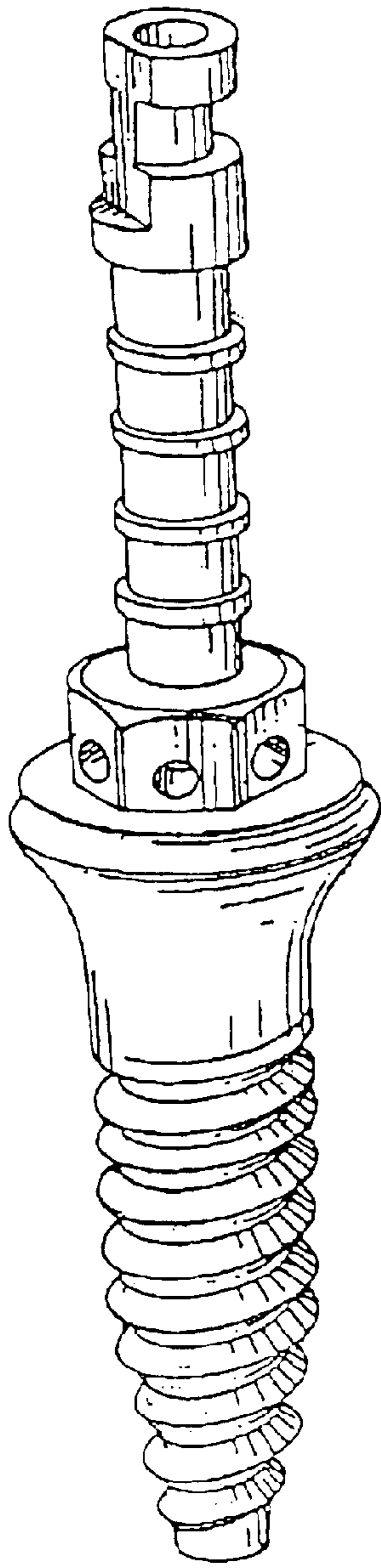


FIG. 1

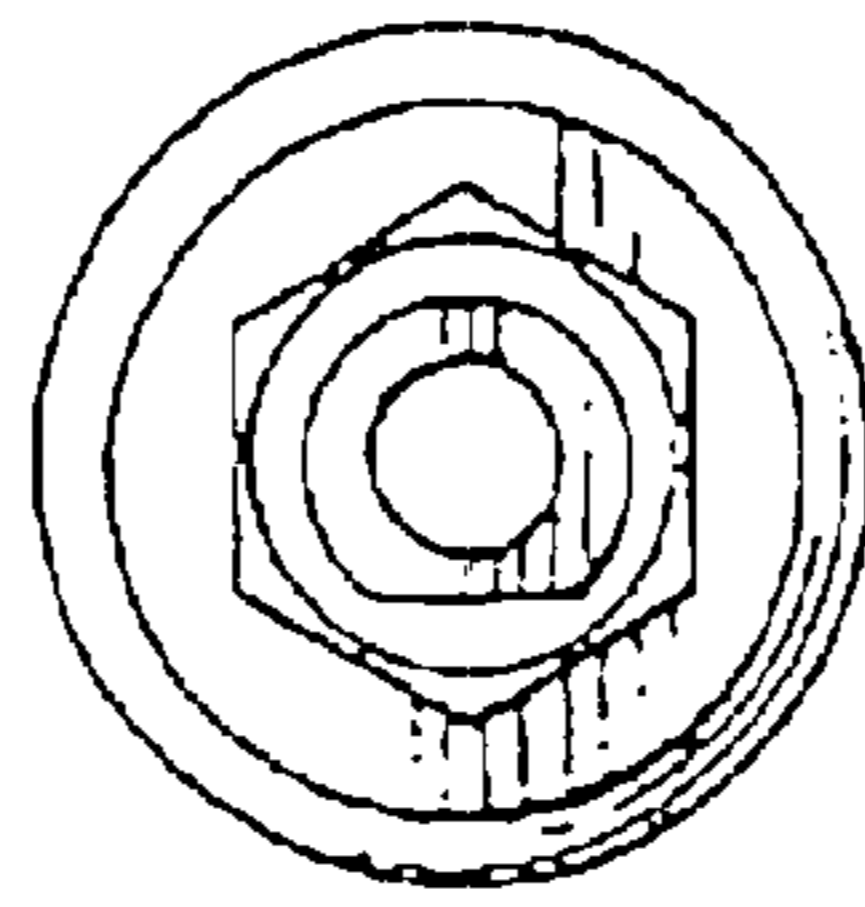


FIG. 4

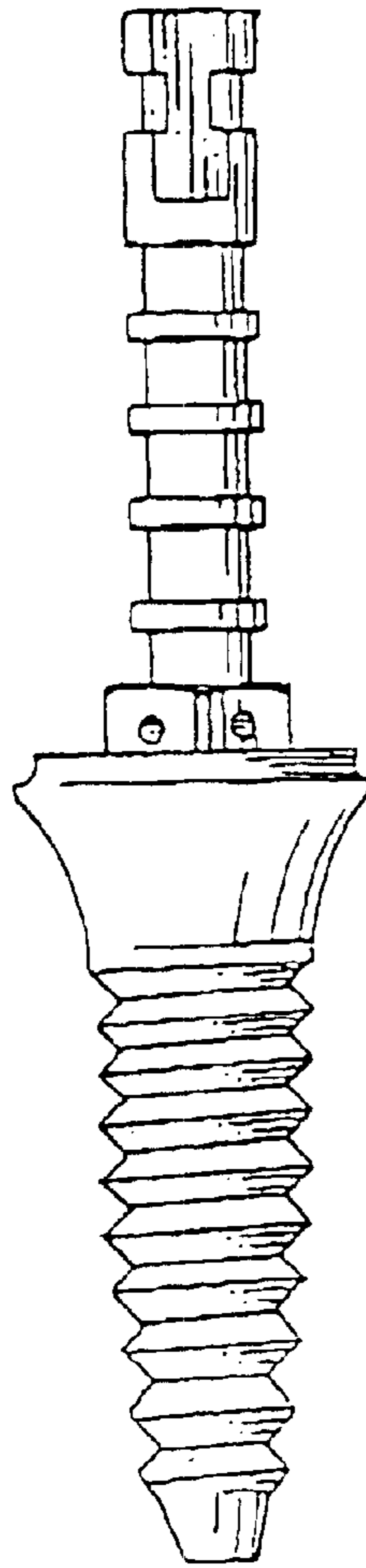


FIG. 2

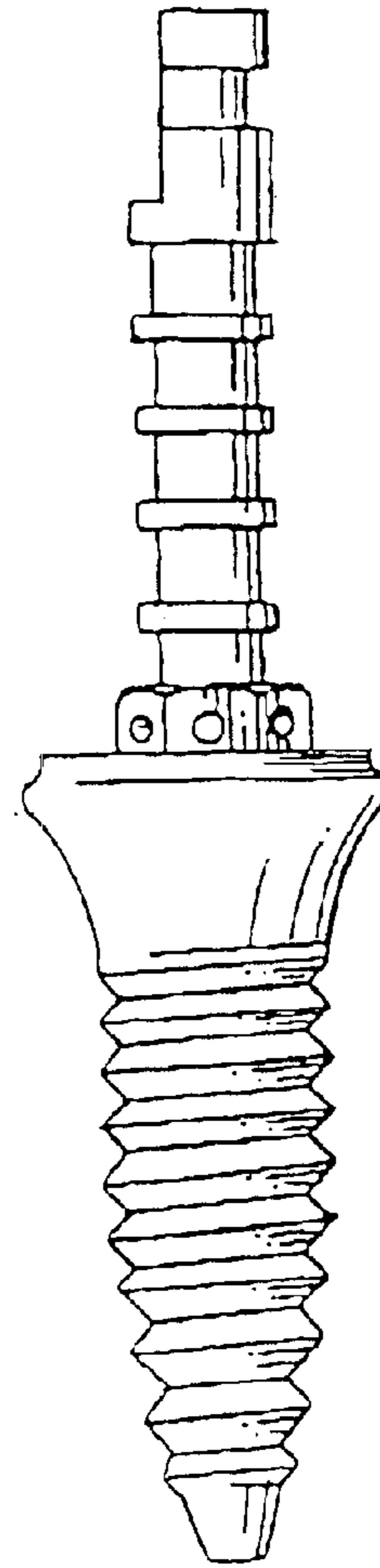


FIG. 3

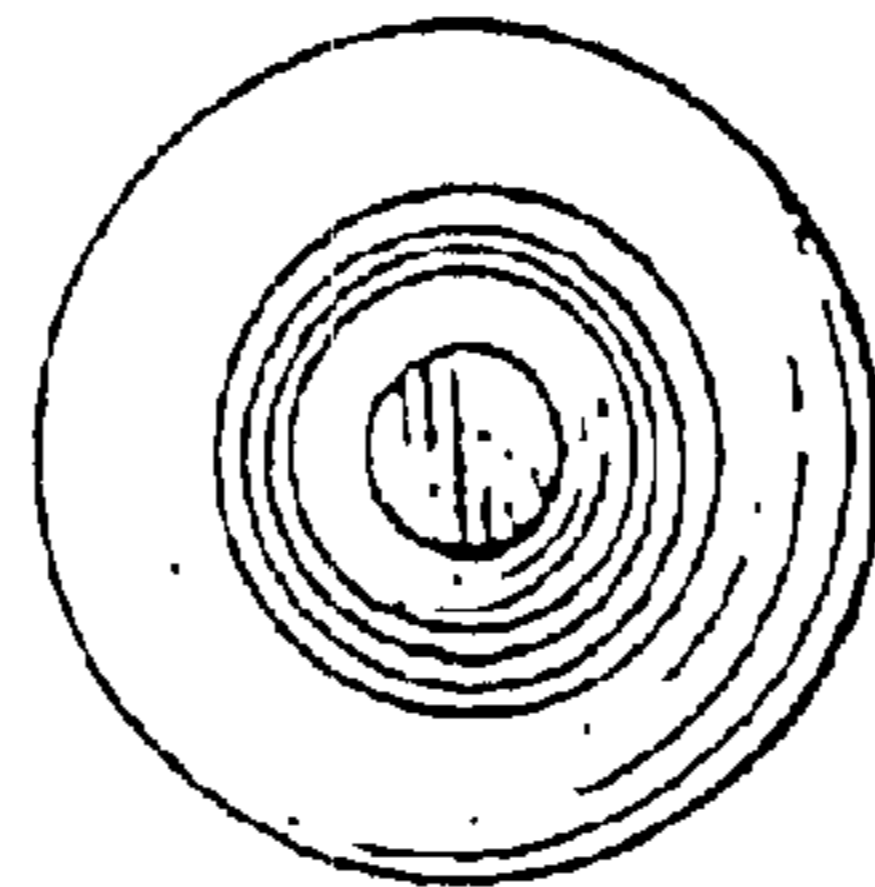


FIG. 5