



US00D507649S

(12) **United States Design Patent**
Padain

(10) **Patent No.:** **US D507,649 S**
(45) **Date of Patent:** **** Jul. 19, 2005**

(54) **TREATMENT DEVICE**

(75) Inventor: **Christopher Leonard Padain**, Clifton (GB)

(73) Assignee: **Microsulis Limited**, Hampshire (GB)

(**) Term: **14 Years**

(21) Appl. No.: **29/178,185**

(22) Filed: **Mar. 21, 2003**

(51) **LOC (8) Cl.** **24-02**

(52) **U.S. Cl.** **D24/144**

(58) **Field of Search** D24/107, 144,
D24/133, 141, 146, 200; 606/41, 1, 33,
31, 32, 27, 170, 167; 607/102, 1, 101, 96

(56) **References Cited**

U.S. PATENT DOCUMENTS

4,756,313	A	*	7/1988	Terwilliger	600/462
D376,204	S	*	12/1996	Huculak et al.	D24/146
5,888,200	A	*	3/1999	Walen	606/167
6,026,331	A		2/2000	Feldberg et al.		
6,334,074	B1	*	12/2001	Spertell	607/101
D483,475	S	*	12/2003	Kirwan et al.	D24/108
6,659,106	B1	*	12/2003	Hovda et al.	606/41
2002/0095199	A1	*	7/2002	West et al.	607/101
2002/0193783	A1		12/2002	Gauthier et al.		

* cited by examiner

Primary Examiner—Ian Simmons

(74) *Attorney, Agent, or Firm*—Reising, Ethington, Barnes, Kisselle, P.C.

(57) **CLAIM**

The ornamental design for a treatment device, as shown and described.

DESCRIPTION

A treatment device for delivery energy to a specific location, especially for medical treatment comprises a handle by

which the device is held and manipulated by an operator and a probe detachably connected to the handle at one end so as to extend therefrom to a distal end from which the energy is transmitted. The probe is of an elongate form for insertion through a limited size opening, and is detachable from the handle so that it can be replaced for each new treatment. Medical treatments include radiation of electromagnetic energy and consequential induced heating in biological tissue.

FIG. 1 is a front perspective view of a treatment device showing my new design;

FIG. 2 is an exploded rear perspective view thereof;

FIG. 3 is a side elevational view thereof, of FIG. 1;

FIG. 4 is a top plan view thereof;

FIG. 5 is a bottom plan view thereof;

FIG. 6 is a left end elevational view thereof;

FIG. 7 is a right end elevational view thereof;

FIG. 8 is an exploded front perspective view thereof, of FIG. 2;

FIG. 9 is a top plan view thereof;

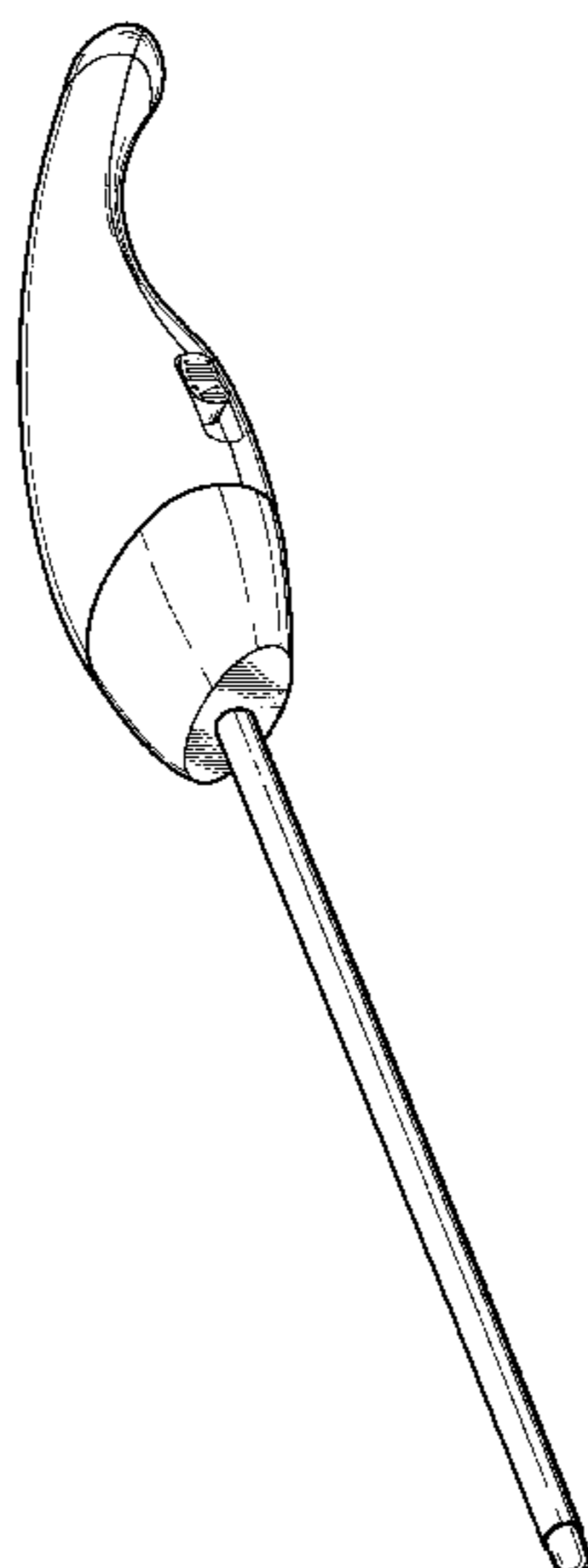
FIG. 10 is a bottom plan view thereof;

FIG. 11 is a side elevational view thereof; and,

FIG. 12 is a side elevational view thereof, opposite that shown in FIG. 11.

The broken line shown in FIG. 8 is for illustrative purposes only and forms no part of the claimed design.

1 Claim, 5 Drawing Sheets



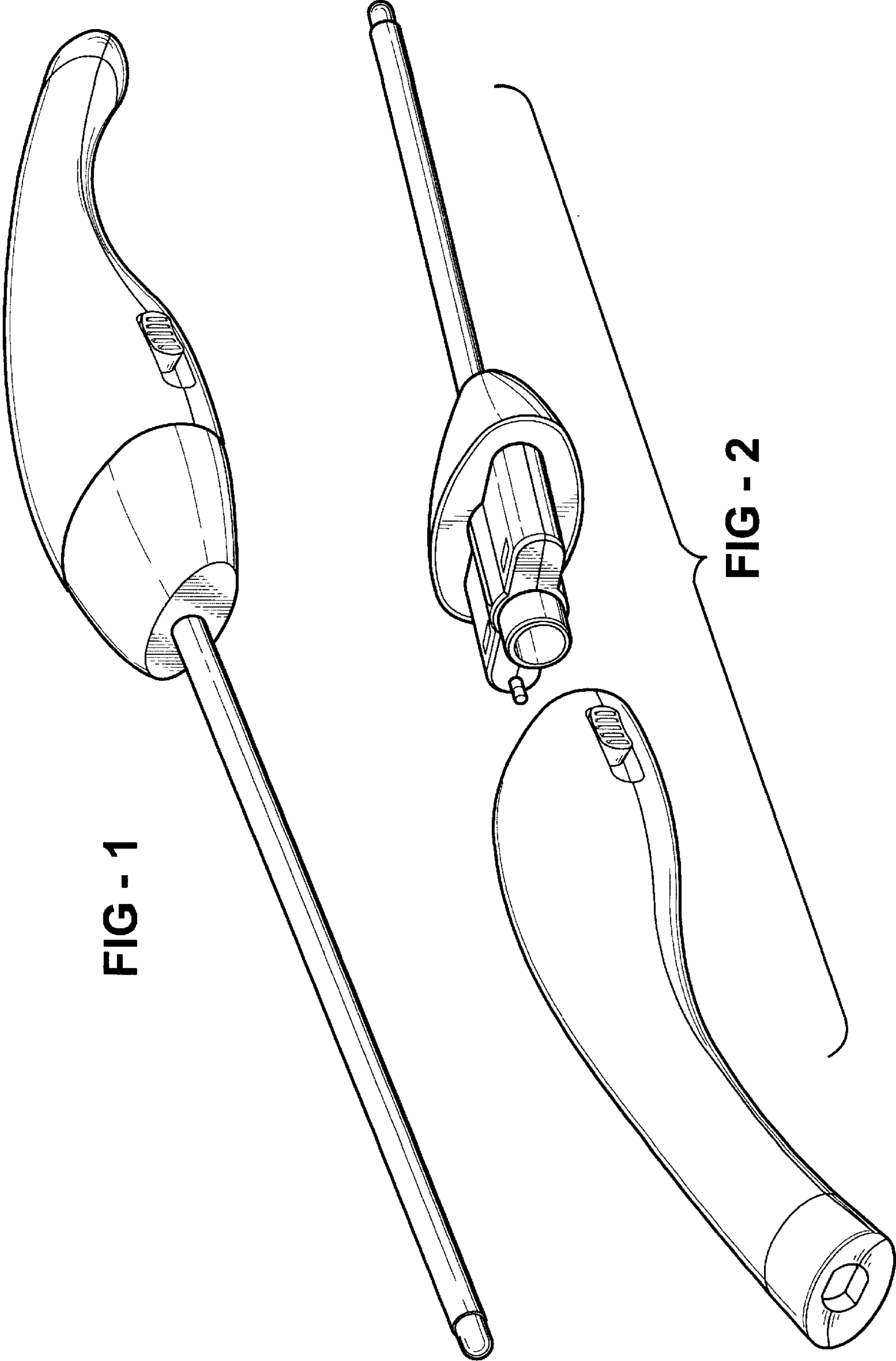


FIG - 1

FIG - 2

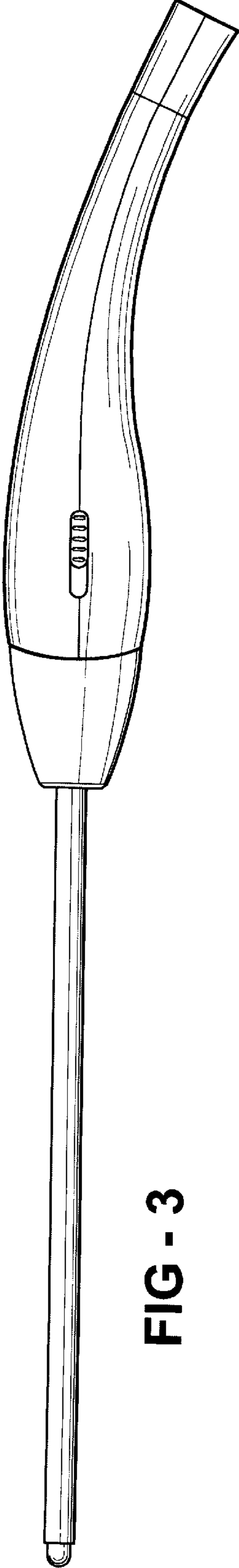


FIG - 3

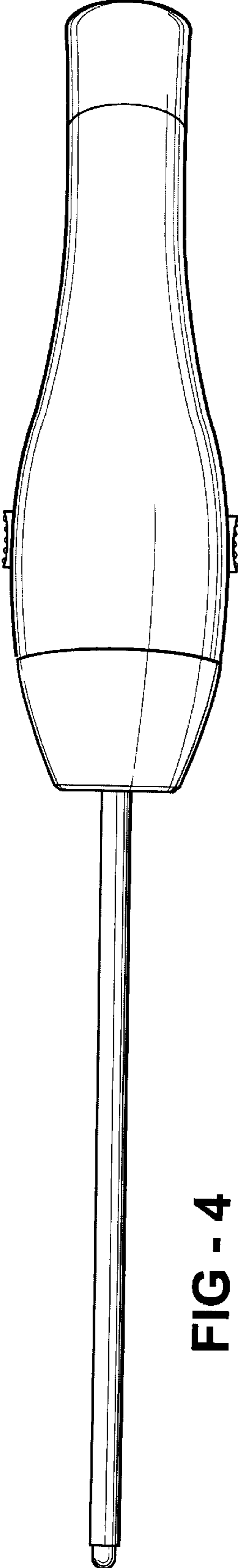


FIG - 4

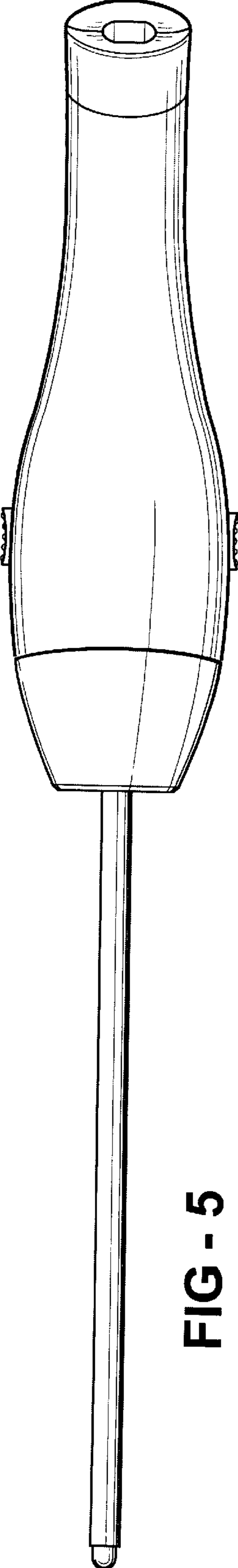


FIG - 5

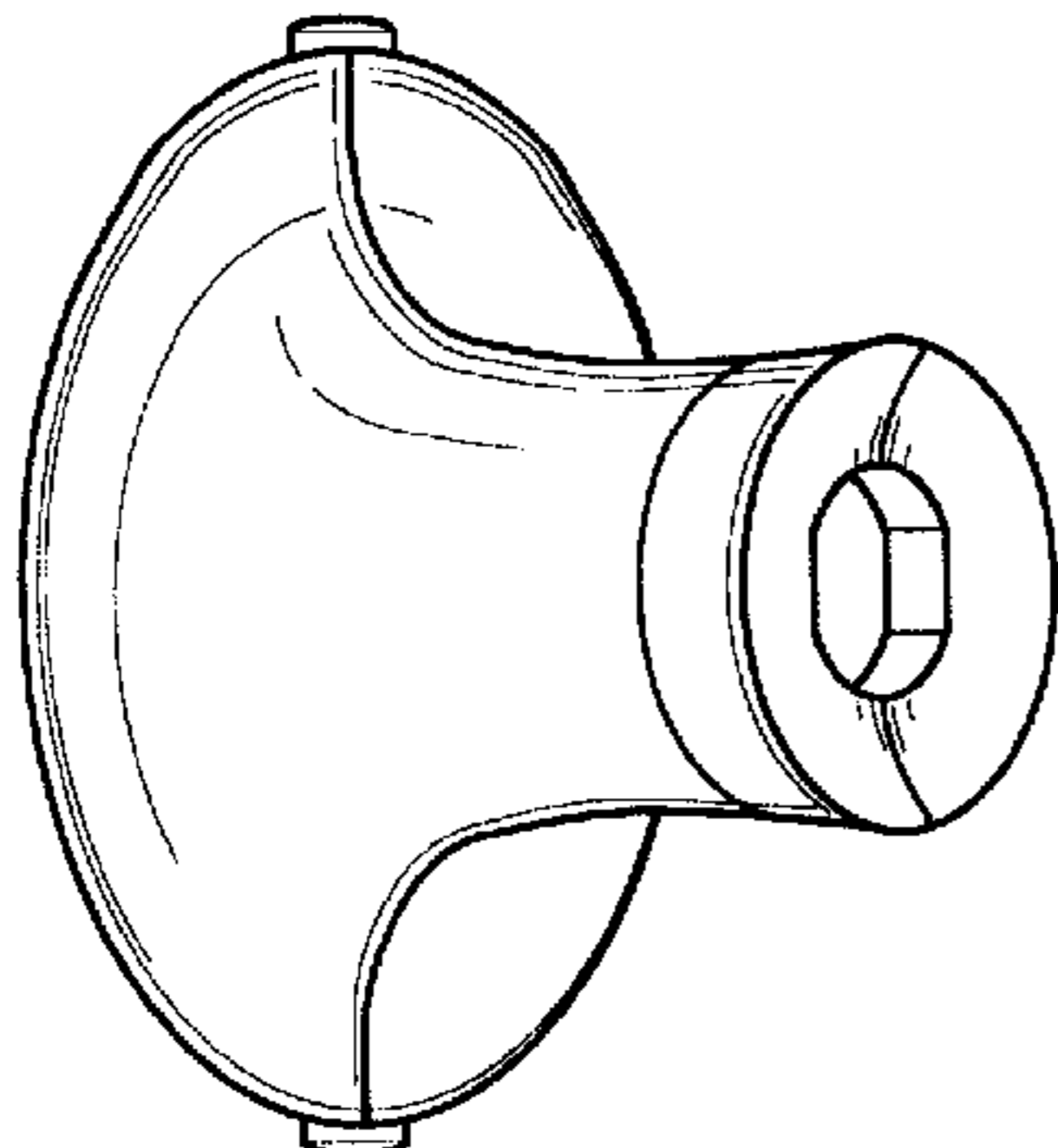


FIG - 7

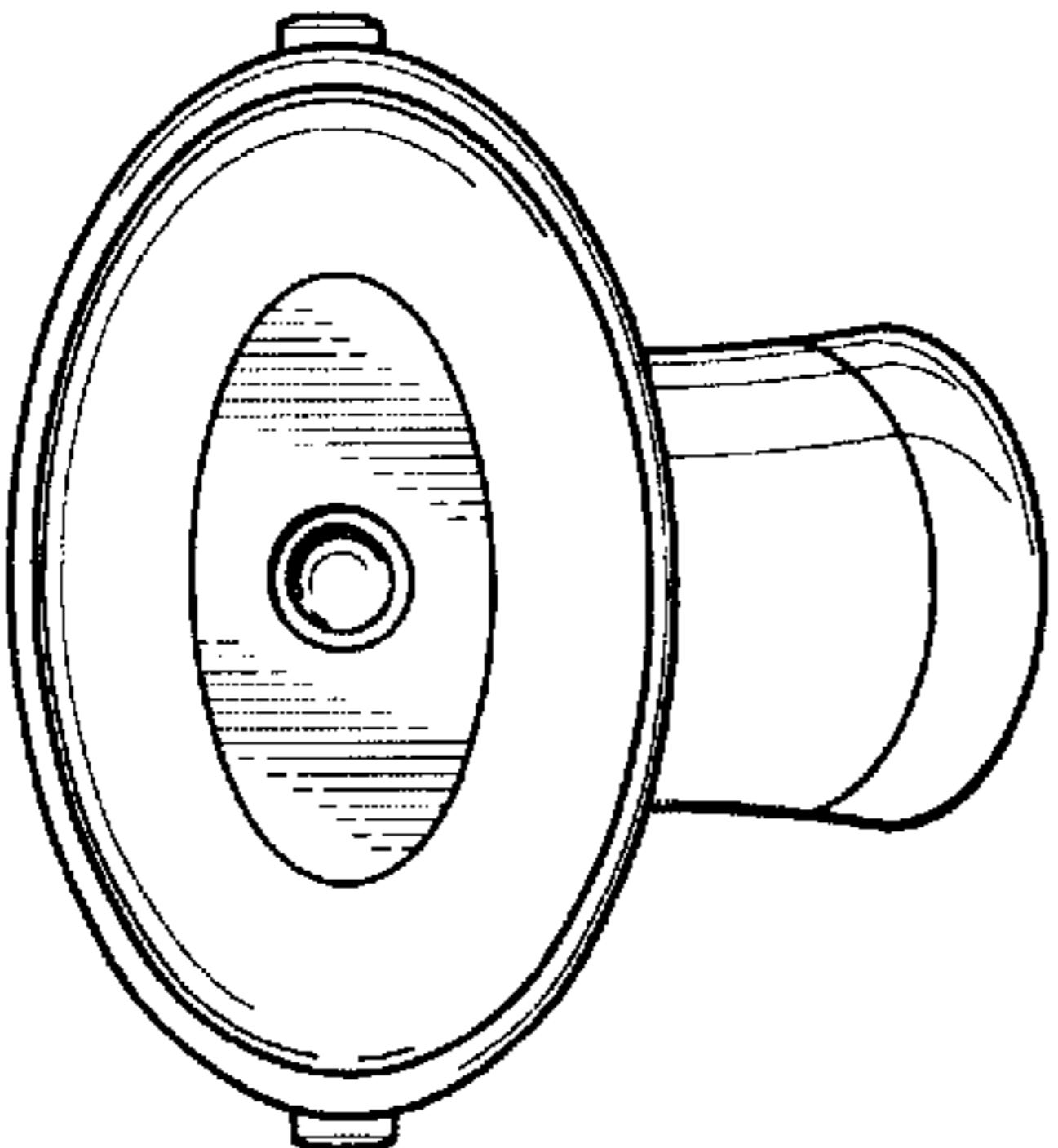


FIG - 6

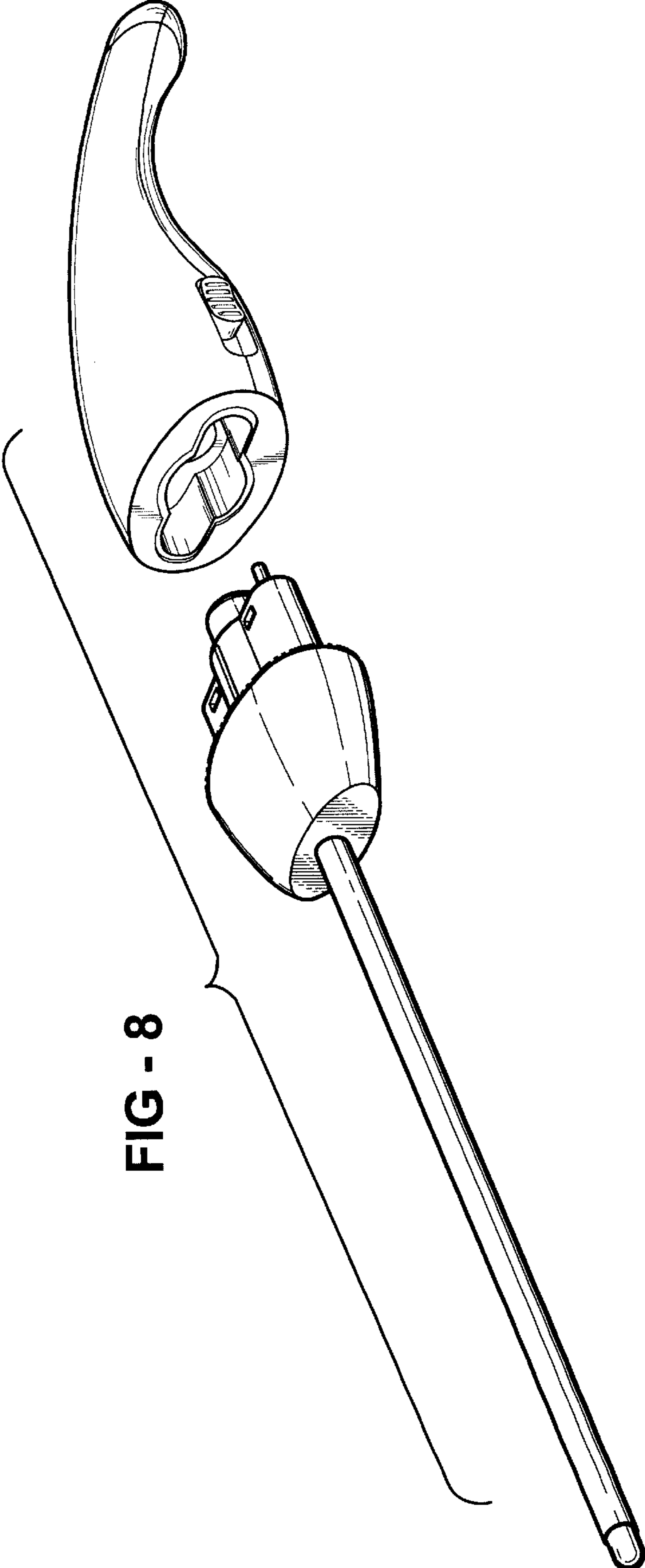


FIG - 8

FIG - 9

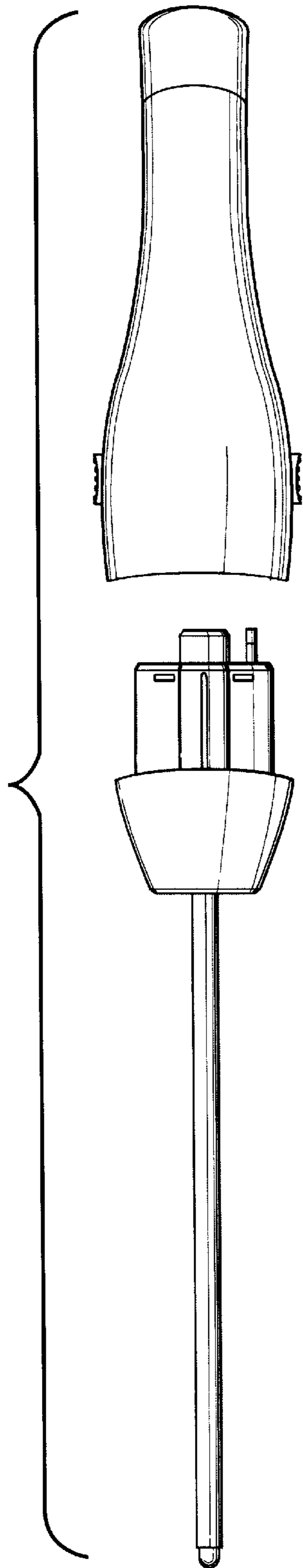


FIG - 10

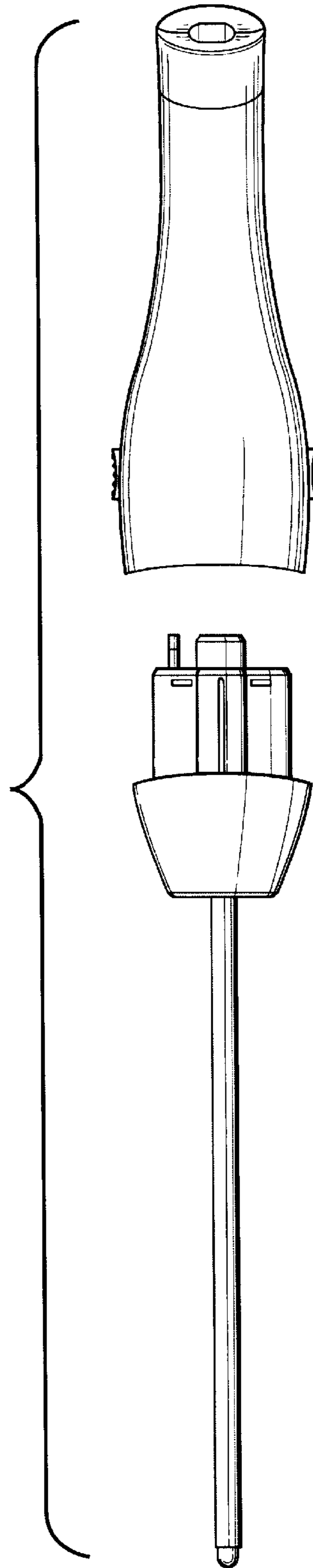


FIG - 11

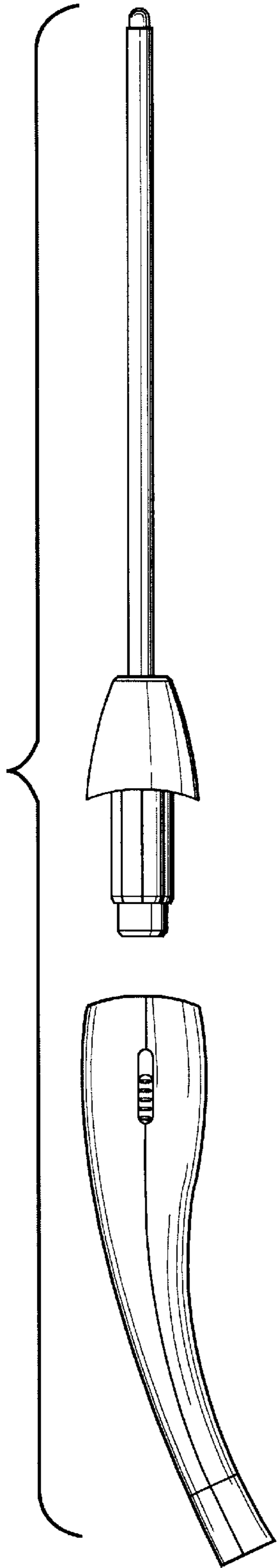


FIG - 12

