

US00D507647S

(12) **United States Design Patent**
Beck et al.

(10) **Patent No.: US D507,647 S**

(45) **Date of Patent: ** *Jul. 19, 2005**

(54) **ENTERAL FEEDING PUMP CASSETTE**

(75) Inventors: **Kent F. Beck**, Layton, UT (US); **Scott D. Miles**, Sandy, UT (US)

(73) Assignee: **Zevex, Inc.**, Salt Lake City, UT (US)

(*) Notice: This patent is subject to a terminal disclaimer.

(**) Term: **14 Years**

(21) Appl. No.: **29/183,387**

(22) Filed: **Jun. 11, 2003**

Related U.S. Application Data

(62) Division of application No. 29/163,153, filed on Jun. 28, 2002.

(51) **LOC (8) Cl.** **24-02**

(52) **U.S. Cl.** **D24/111; D24/129**

(58) **Field of Search** **D24/111, 129; 604/131, 246, 154, 153, 249, 151, 67; 128/DIG. 12; 417/477.1, 477.2, 477.4, 477.5, 477.14**

(56) **References Cited**

U.S. PATENT DOCUMENTS

- D319,312 S 8/1991 Schneider
- D374,718 S 10/1996 Dodge et al.
- D455,489 S * 4/2002 Beck et al. D24/111

6,659,976 B2 * 12/2003 Beck et al. 604/67

* cited by examiner

Primary Examiner—Ian Simmons

(74) *Attorney, Agent, or Firm*—Bateman IP Law Group

(57) **CLAIM**

The ornamental design for an enteral feeding pump cassette, as shown and described.

DESCRIPTION

FIG. 1 shows a perspective view of a enteral feeding pump cassette made in accordance with the design of the present invention;

FIG. 2 shows a bottom perspective view of the enteral feeding pump cassette of FIG. 1;

FIG. 3 shows a top view of the enteral feeding pump cassette of FIG. 1;

FIG. 4 shows a right side view of the enteral feeding pump cassette of FIG. 1;

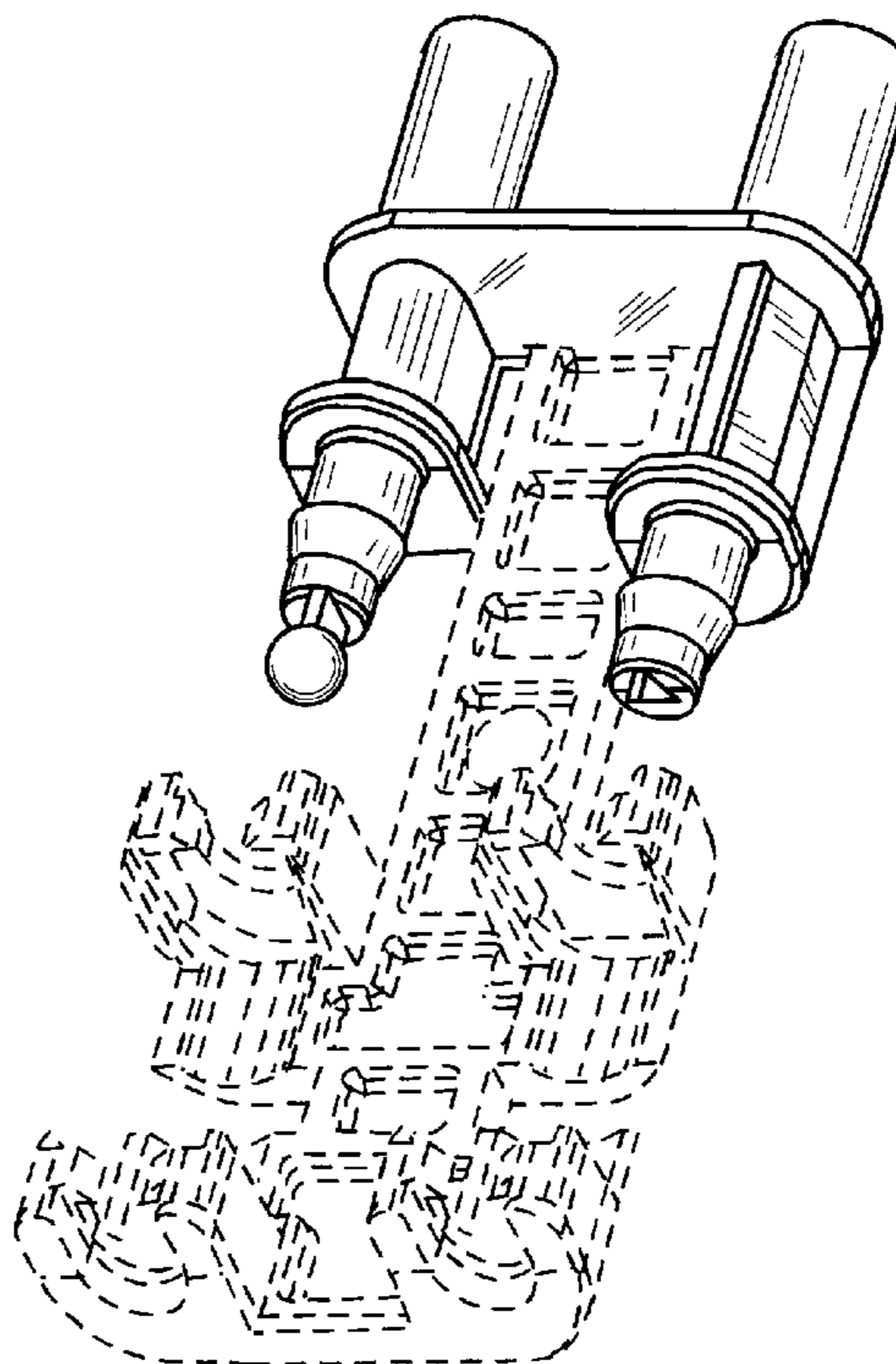
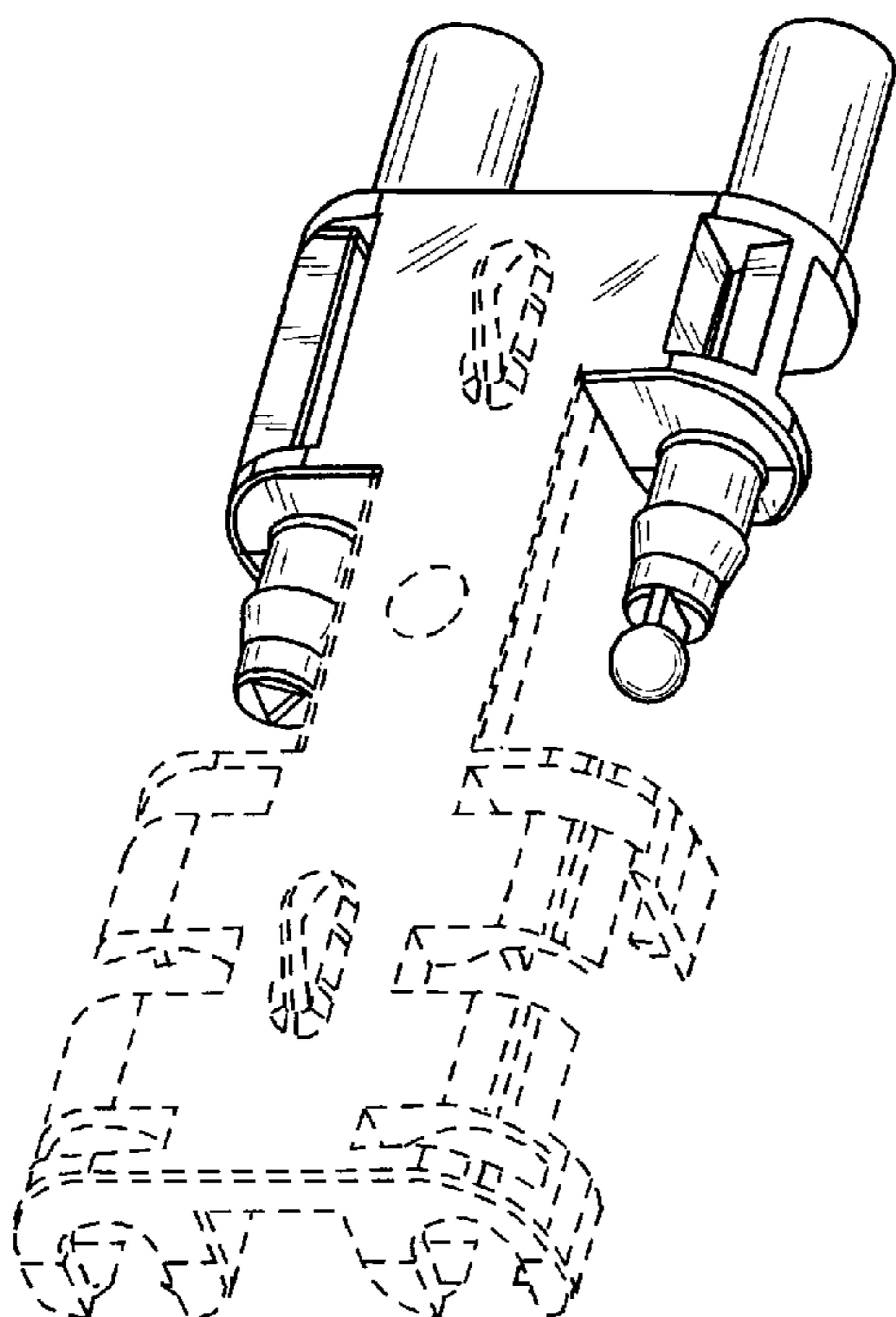
FIG. 5 shows a left side view of the enteral feeding pump cassette of FIG. 1;

FIG. 6 shows an end view of the enteral feeding pump cassette of FIG. 1; and,

FIG. 7 shows an opposing end of the enteral feeding pump cassette of FIG. 1.

The broken line showing is for illustrative purposes only and forms no part of the claimed design.

1 Claim, 2 Drawing Sheets



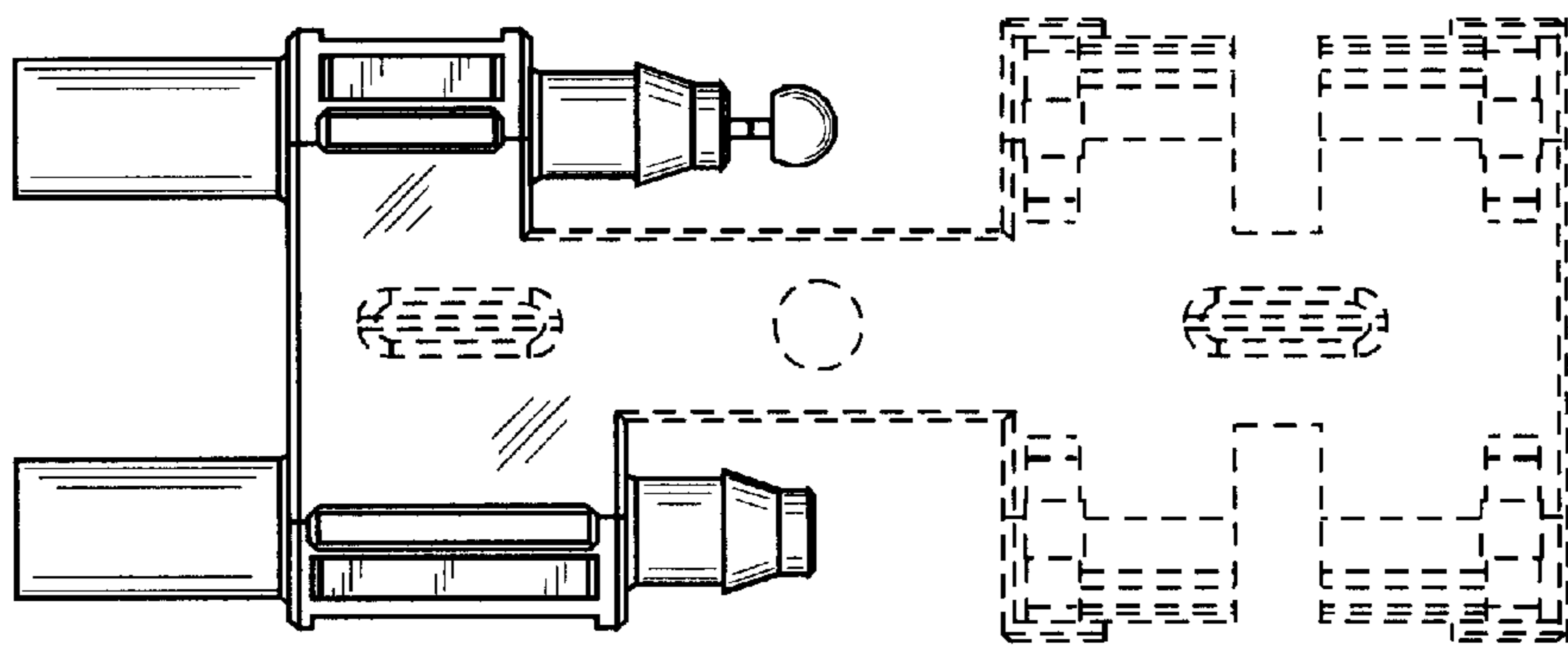


FIG. 3

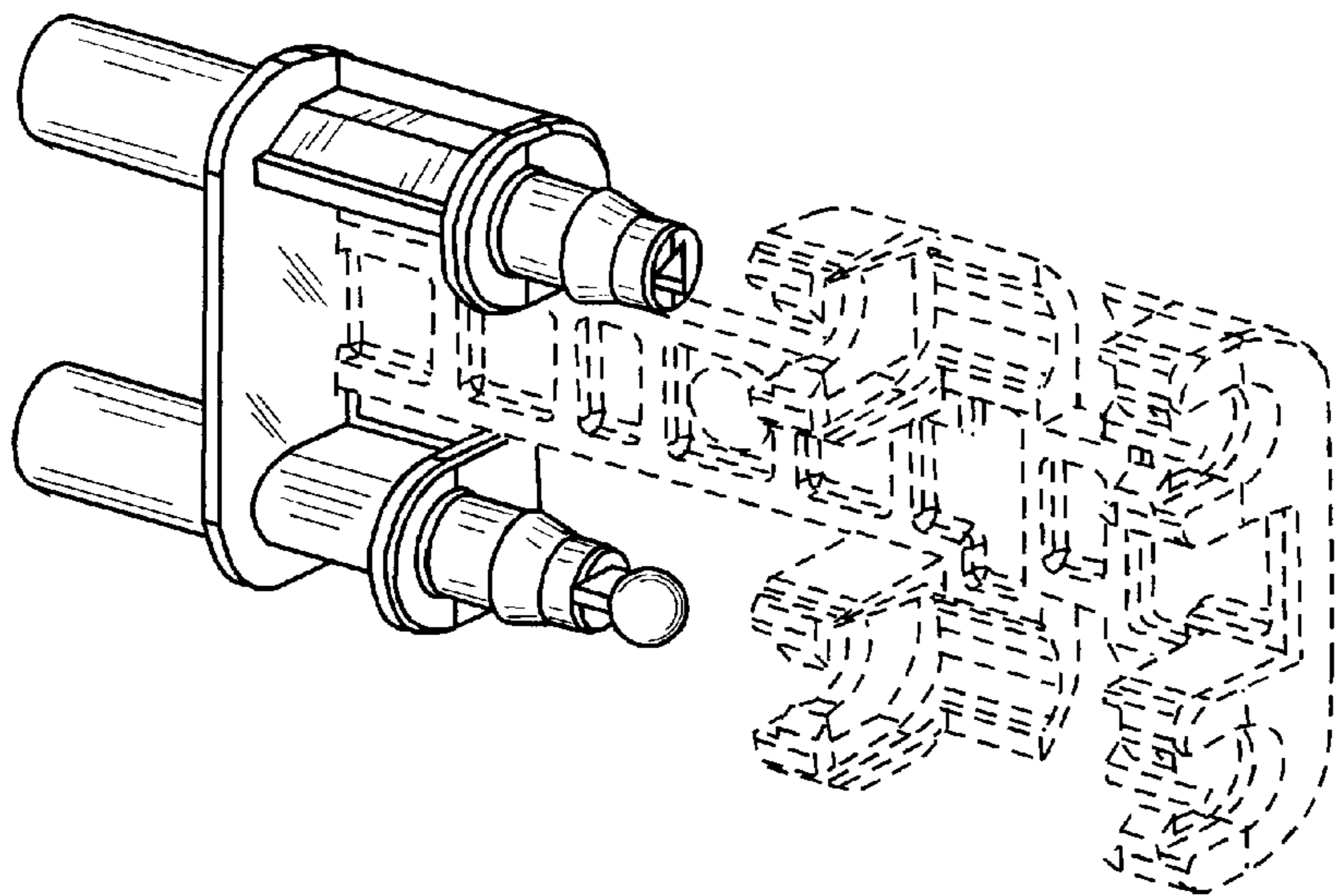


FIG. 2

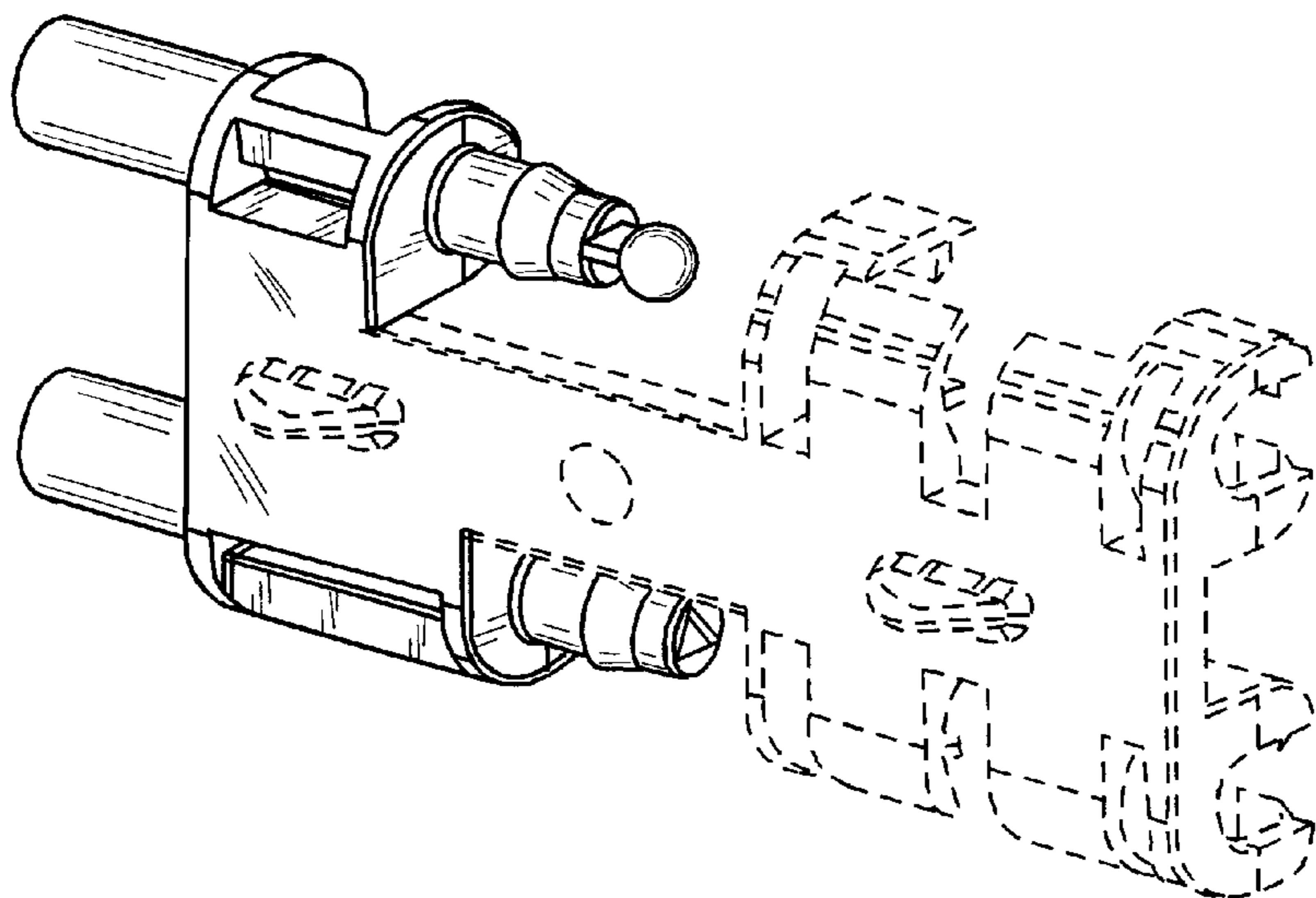


FIG. 1

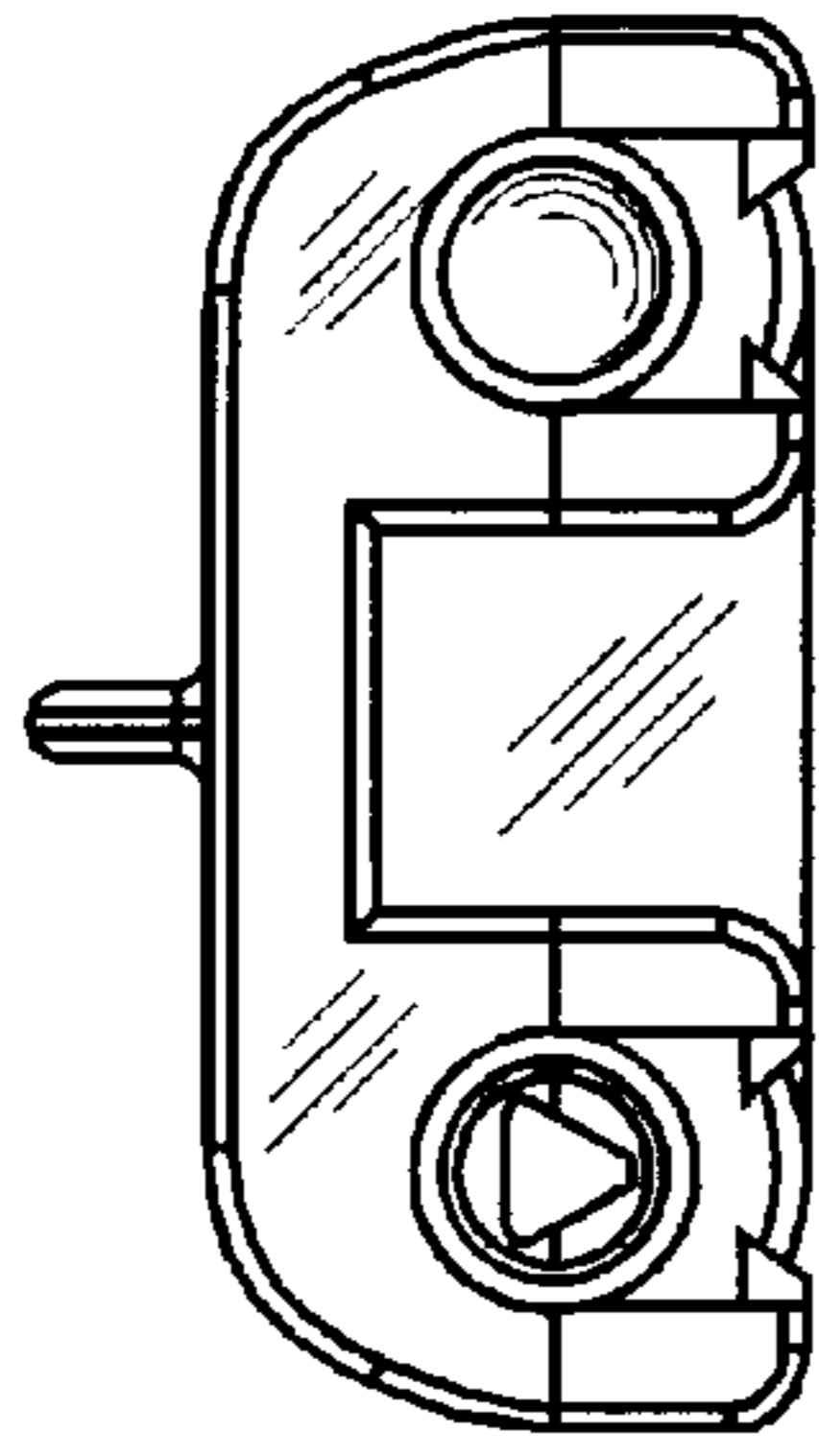


FIG. 6

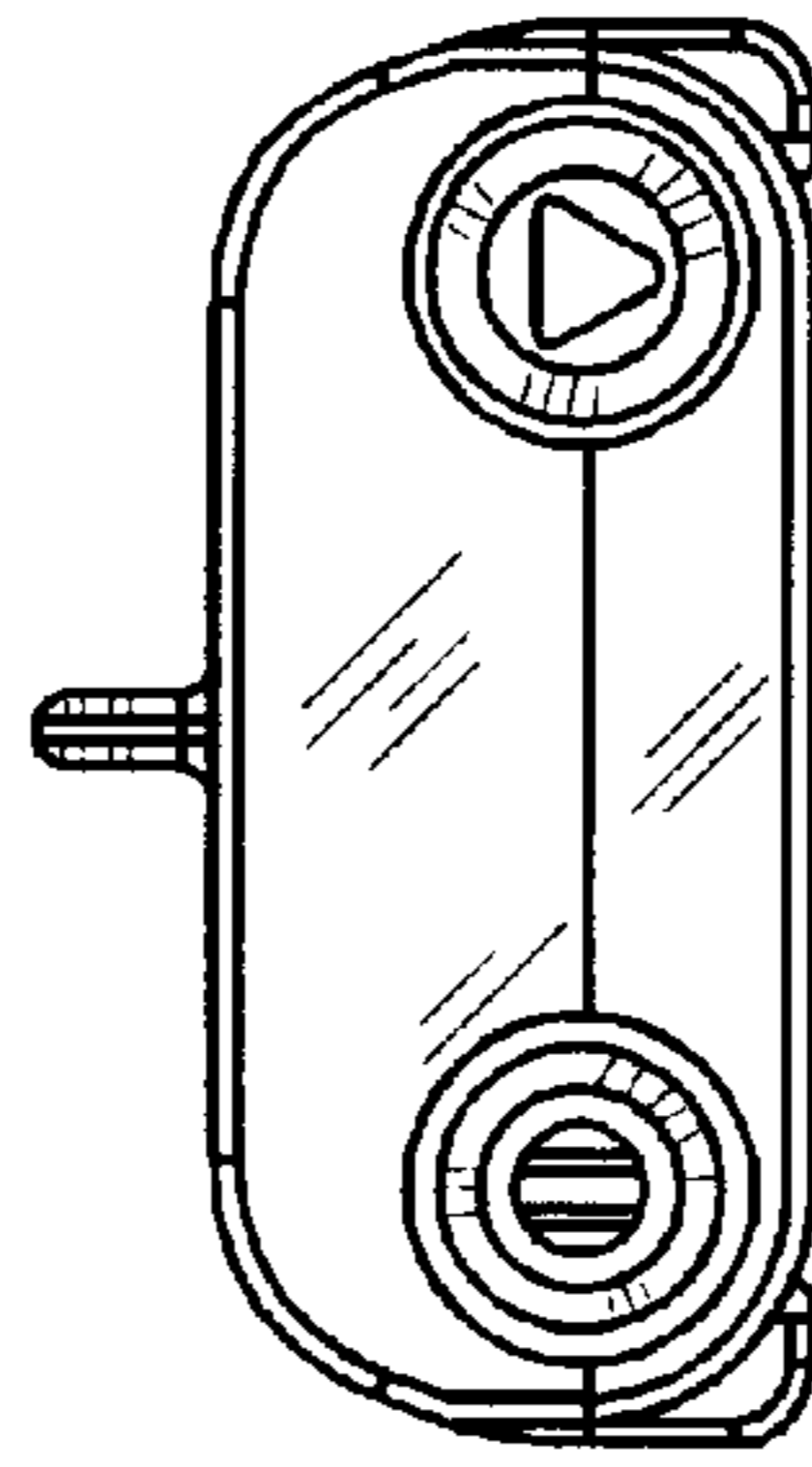


FIG. 7

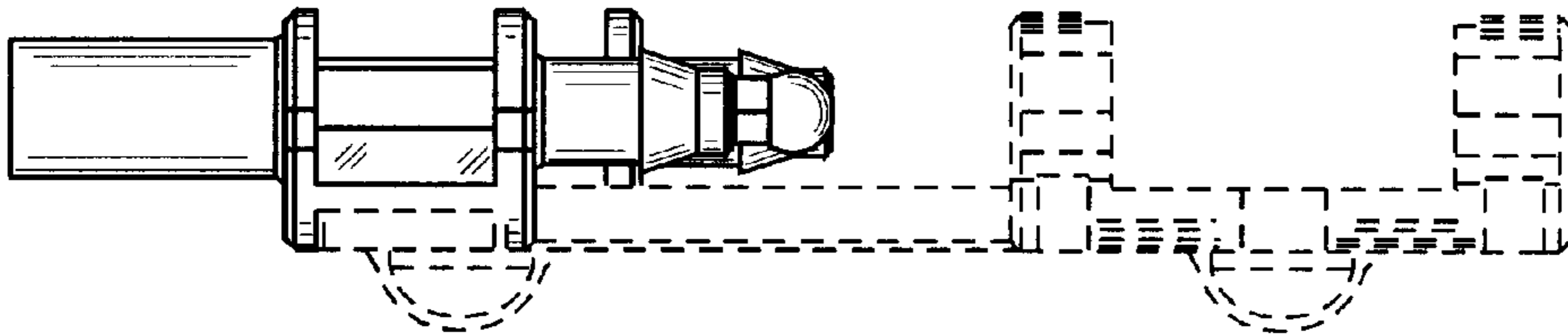


FIG. 5

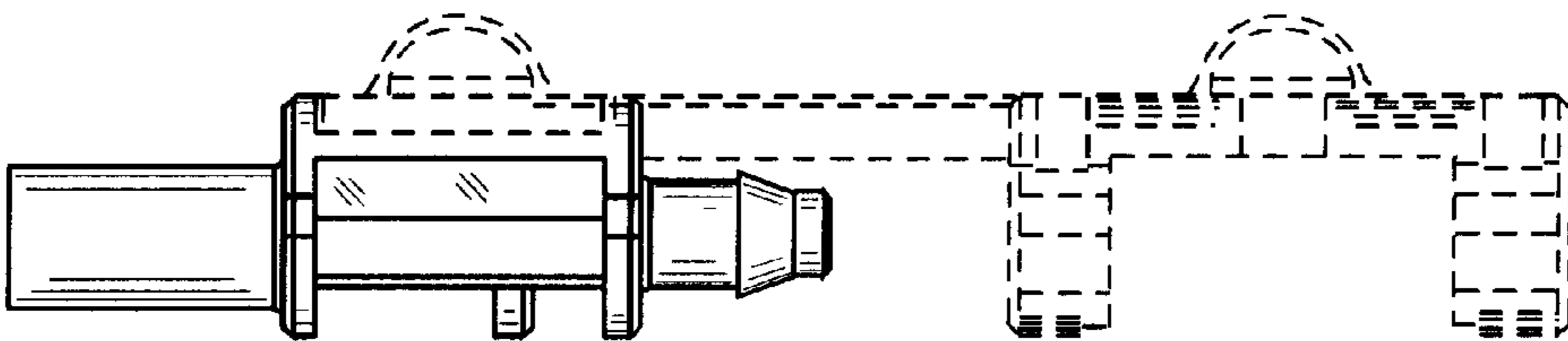


FIG. 4