

US00D507642S

(12) **United States Design Patent**
Radtke et al.

(10) **Patent No.:** **US D507,642 S**
(45) **Date of Patent:** **** Jul. 19, 2005**

(54) **SPORT MINI MISTER FAN**

(75) Inventors: **Lee Radtke**, Lake Zurich, IL (US);
Eric Junkel, Des Plaines, IL (US)

(73) Assignee: **GLJ, LLC**, Chicago, IL (US)

(**) Term: **14 Years**

(21) Appl. No.: **29/197,260**

(22) Filed: **Jan. 13, 2004**

(51) **LOC (8) Cl.** **23-04**

(52) **U.S. Cl.** **D23/379**

(58) **Field of Search** D23/379, 370,
D23/328; D9/685, 715; 416/146 R, 247 R

(56) **References Cited**

U.S. PATENT DOCUMENTS

D397,774 S * 9/1998 Junkel et al. D23/328

D454,631 S * 3/2002 Steiner D23/379

* cited by examiner

Primary Examiner—Lisa Lichtenstein
(74) *Attorney, Agent, or Firm*—Gifford, Krass, Groh,
Sprinkle, Anderson & Citkowski, P.C.

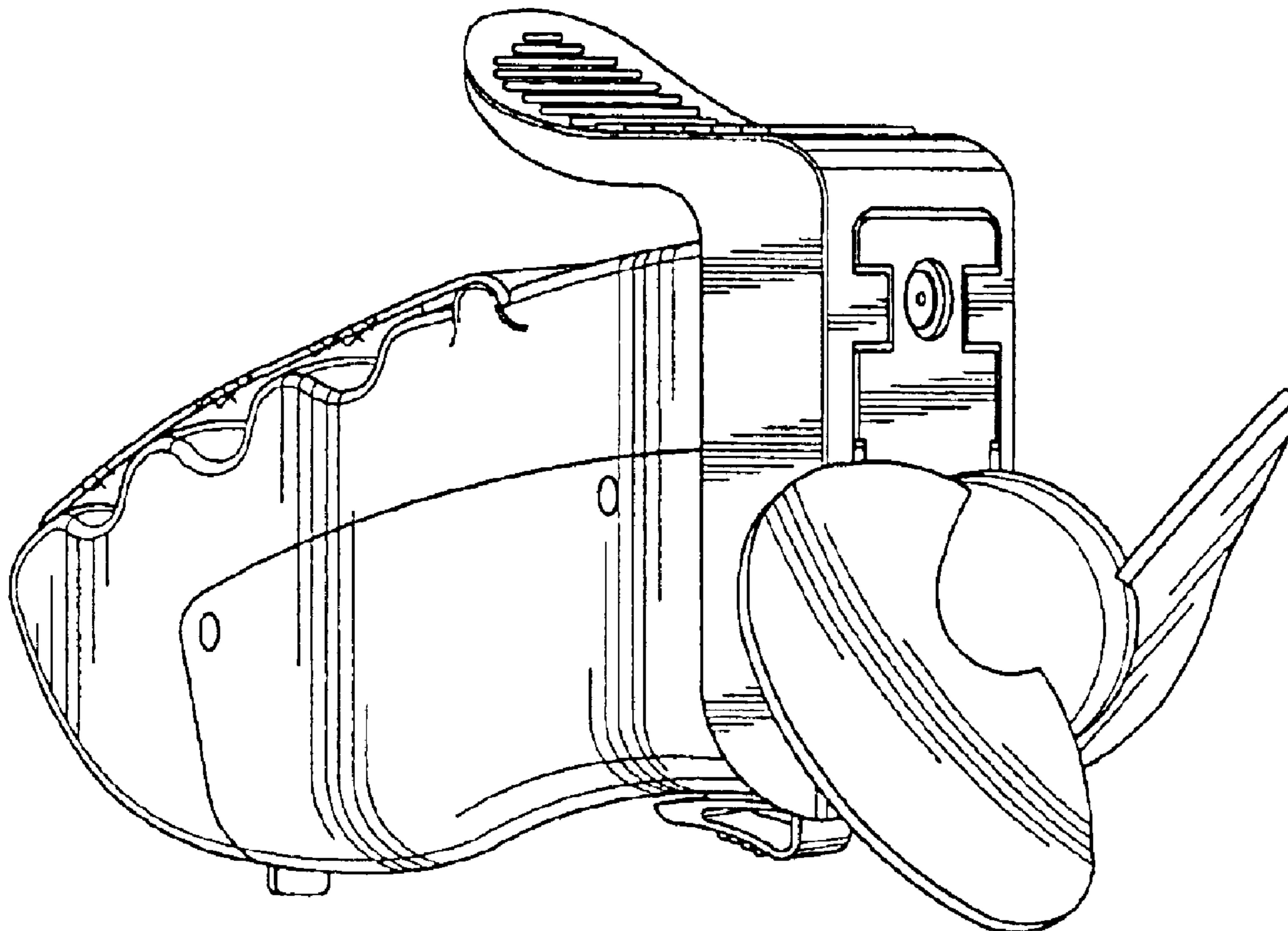
(57) **CLAIM**

We claim the ornamental design for a sport mini mister fan,
as shown and described.

DESCRIPTION

FIG. 1 is a perspective view of the mini mister fan according
to the present design;
FIG. 2 is a front view of the present design;
FIG. 3 is a top view of the present design; and
FIG. 4 is a bottom view of the present design; and,
FIG. 5 is a right side view of the present design, a corre-
sponding left side view being a substantially mirror image
thereof.

1 Claim, 2 Drawing Sheets



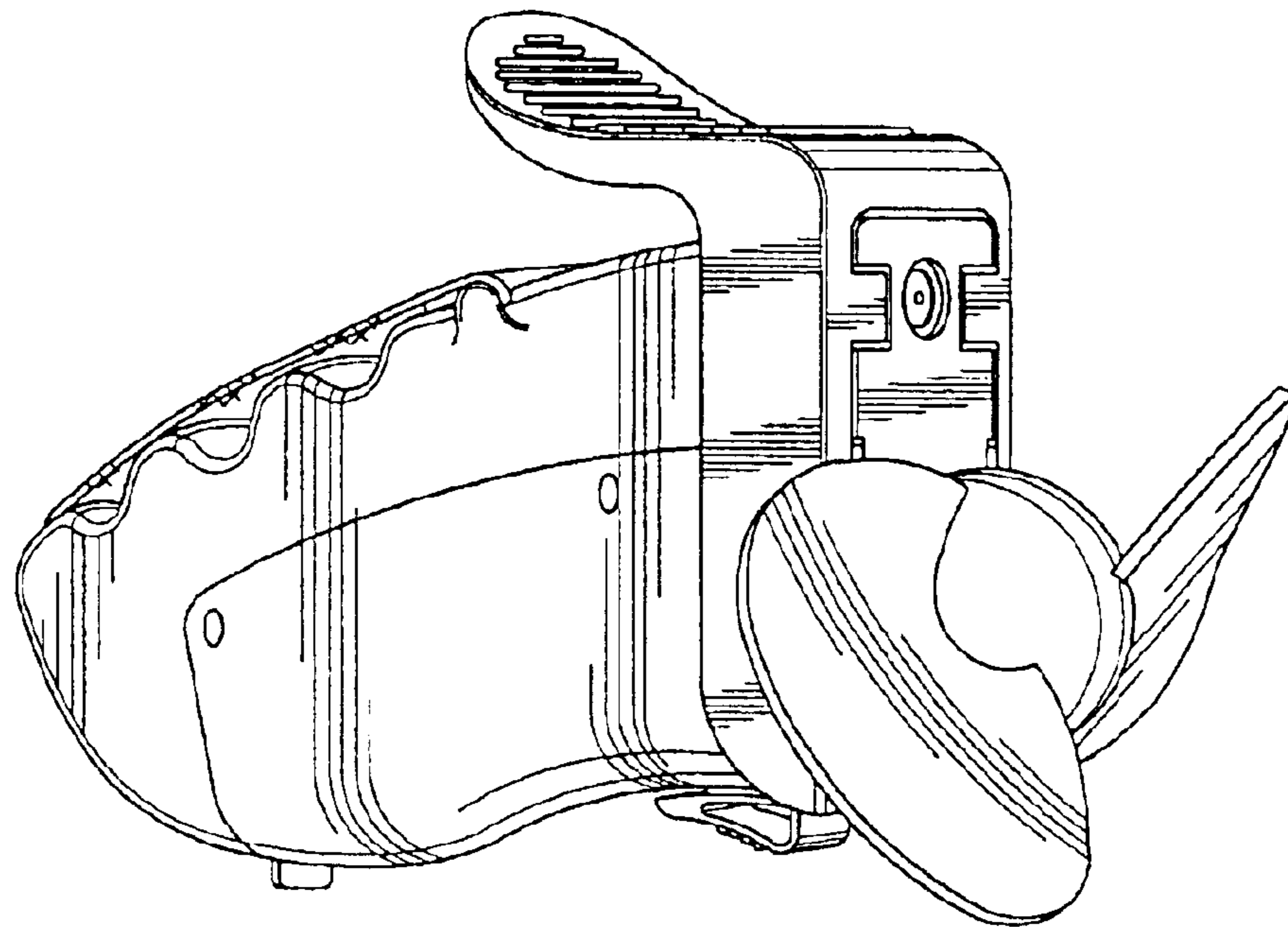


Fig-1

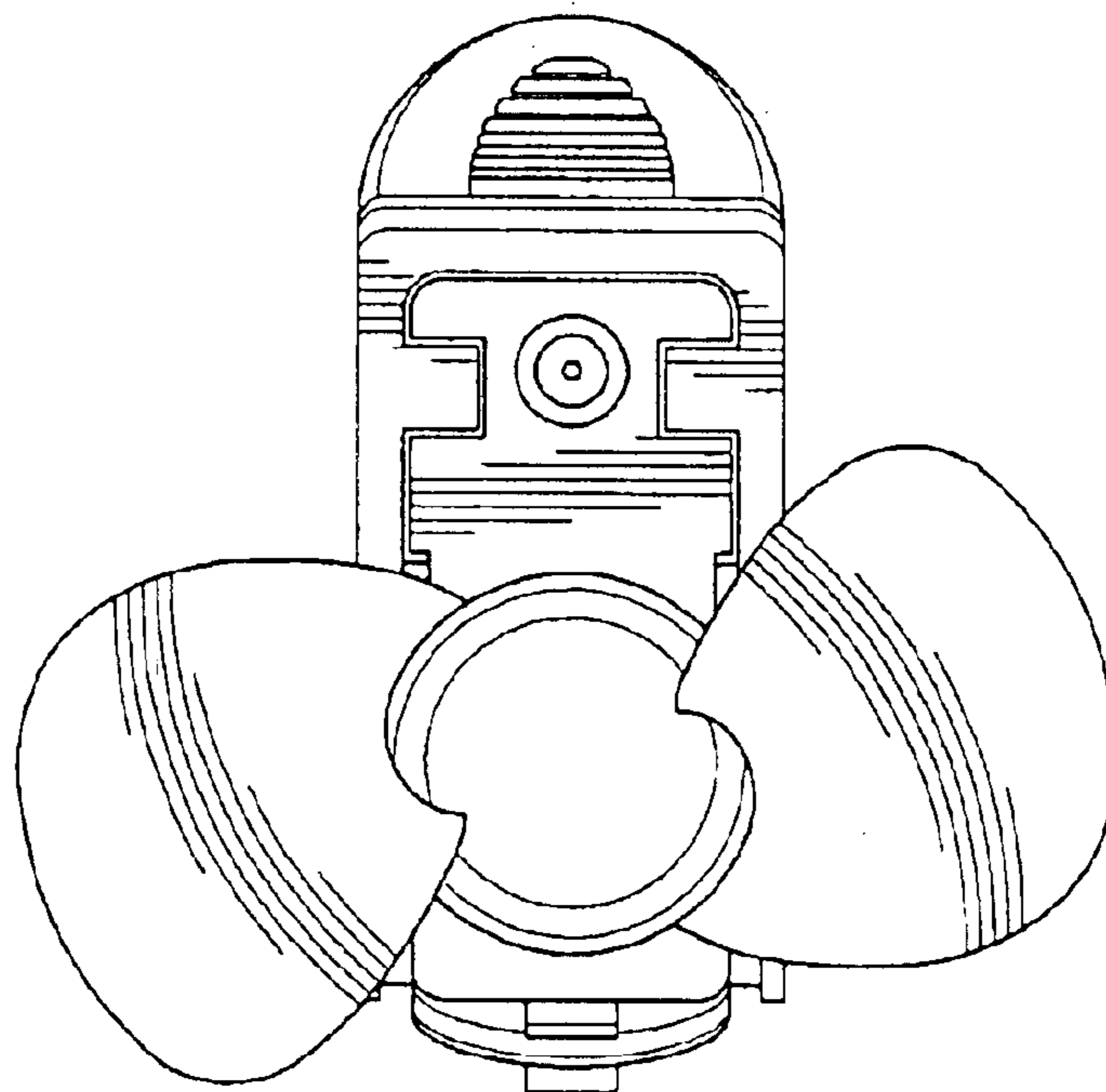


Fig-2

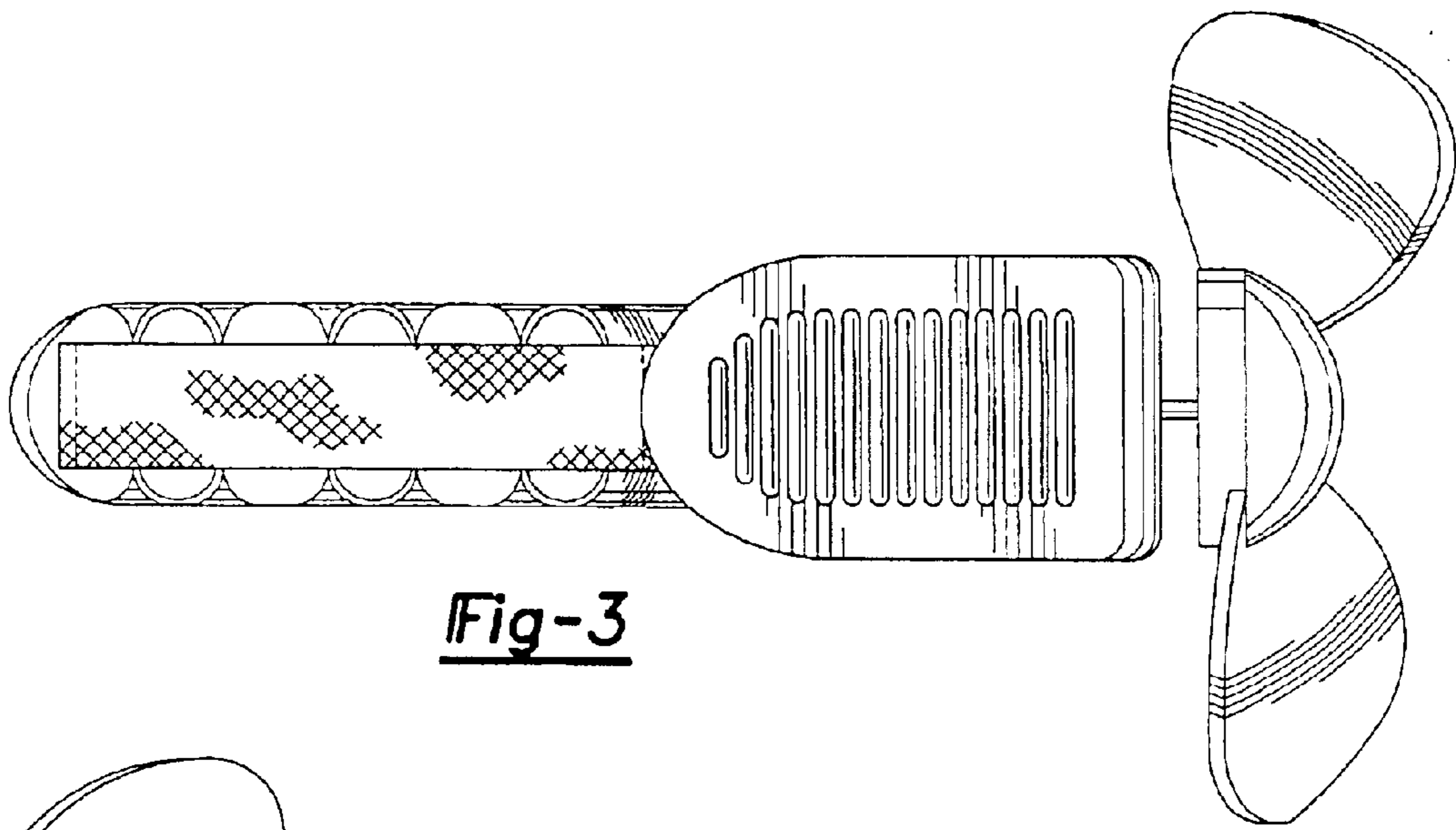


Fig-3

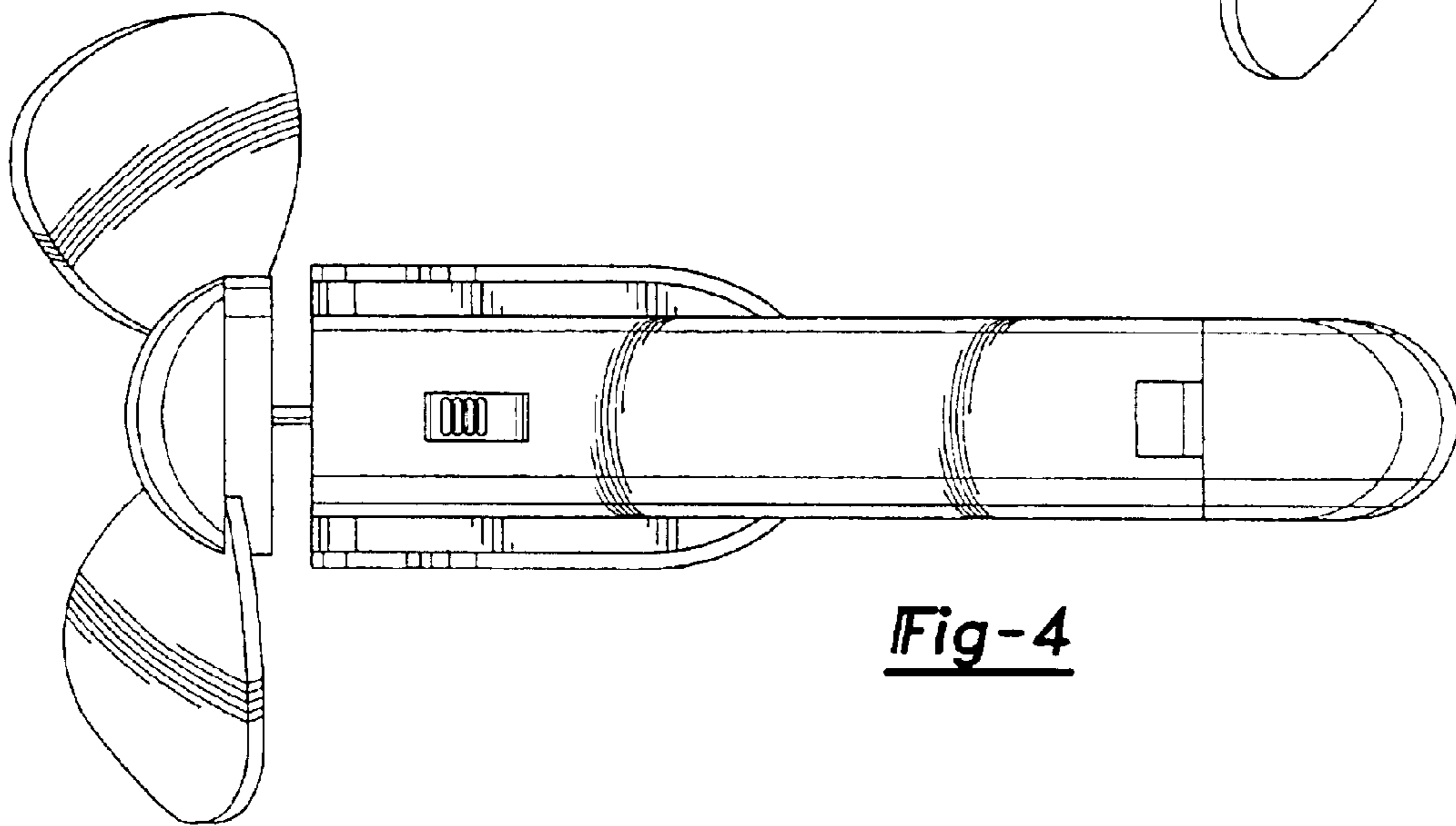


Fig-4

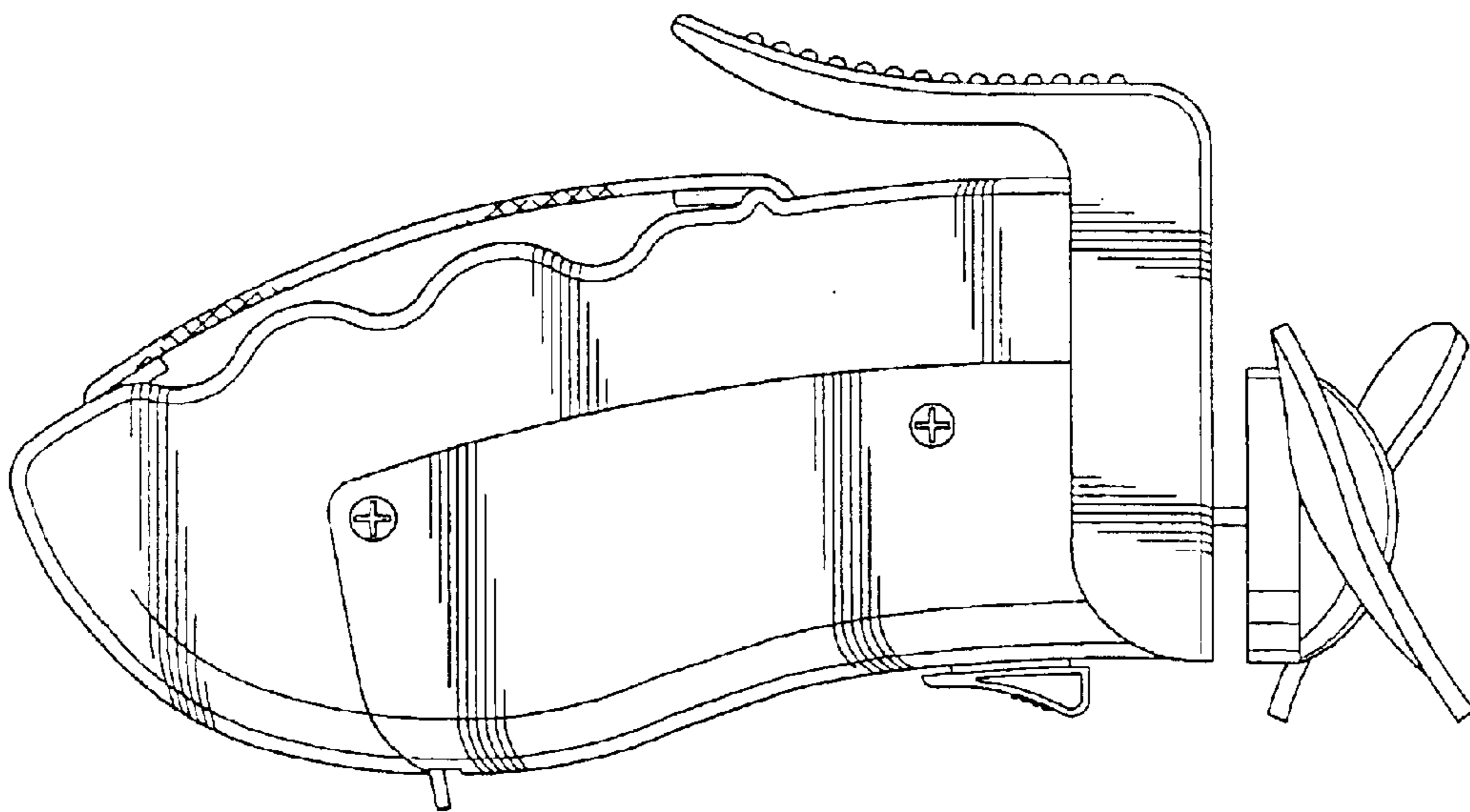


Fig-5