

US00D507638S

(12) **United States Design Patent**  
**Chiu et al.**

(10) **Patent No.:** **US D507,638 S**

(45) **Date of Patent:** **\*\* Jul. 19, 2005**

(54) **FAN**

D492,986 S \* 7/2004 Chiu et al. .... D23/370

(75) Inventors: **Yung-Yu Chiu**, Taoyuan (TW);  
**Shun-Chen Chang**, Taoyuan (TW);  
**Kuo-Cheng Lin**, Taoyuan (TW);  
**Wen-Shi Huang**, Taoyuan (TW)

\* cited by examiner

*Primary Examiner*—Lisa Lichtenstein  
(74) *Attorney, Agent, or Firm*—Birch, Stewart, Kolasch & Birch, LLP

(73) Assignee: **Delta Electronics Inc.**, Taoyuan Hsien (TW)

(57) **CLAIM**

(\*\*) Term: **14 Years**

The ornamental design for a fan, as shown and described herein.

(21) Appl. No.: **29/188,491**

**DESCRIPTION**

(22) Filed: **Aug. 20, 2003**

(51) **LOC (8) Cl.** ..... **23-04**

(52) **U.S. Cl.** ..... **D23/370**

(58) **Field of Search** ..... D23/370, 379;  
415/176, 177, 178, 211.2; 361/697, 695,  
694; 165/80.3, 121, 122; D14/439

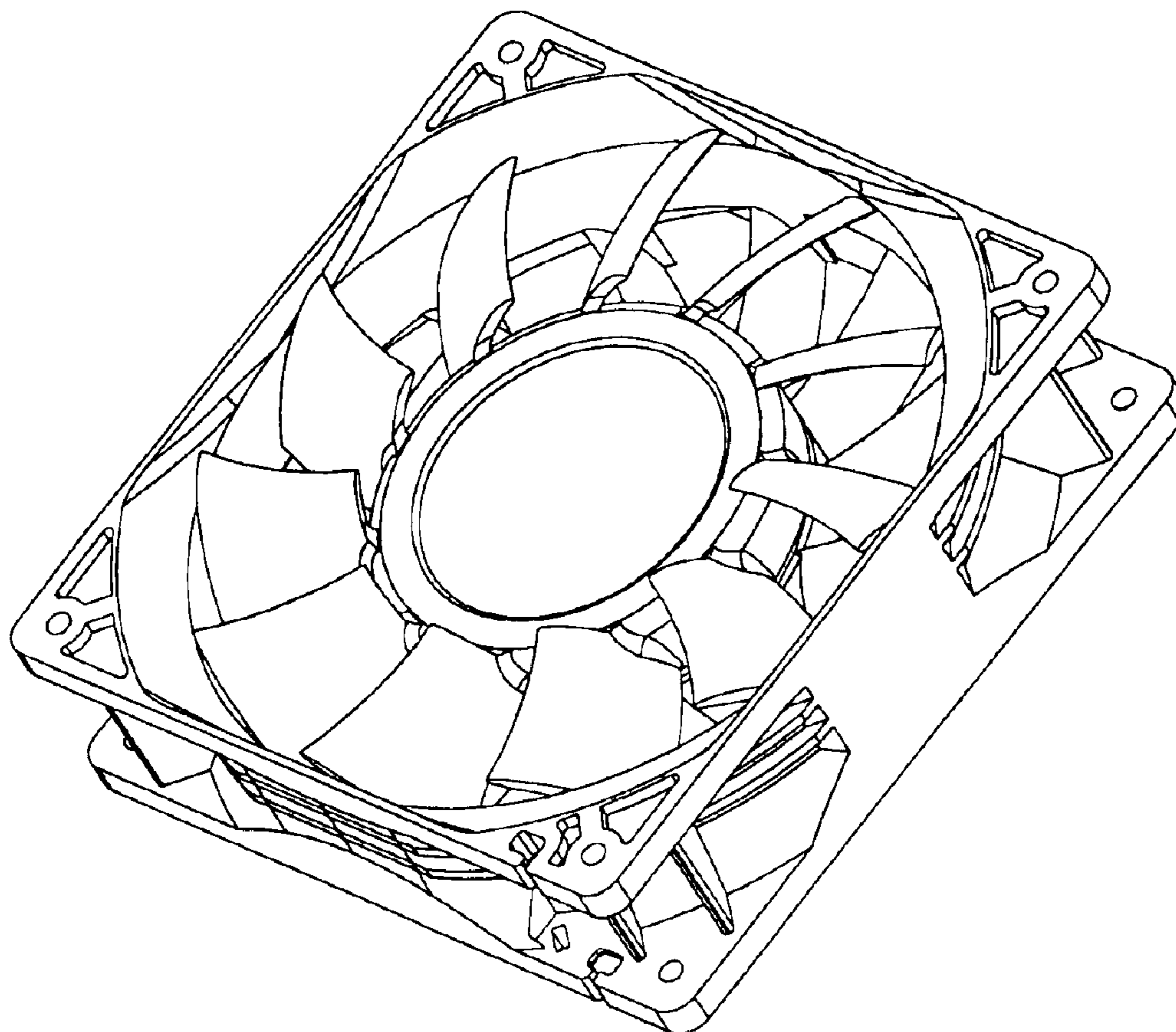
FIG. 1 is a perspective view of a fan showing our new design;  
FIG. 2 is a right side view thereof;  
FIG. 3 is a top view thereof;  
FIG. 4 is a front view thereof;  
FIG. 5 is a bottom view thereof;  
FIG. 6 is a left side view thereof; and,  
FIG. 7 is a rear view thereof.

(56) **References Cited**

**U.S. PATENT DOCUMENTS**

D487,800 S \* 3/2004 Chen et al. .... D23/370

**1 Claim, 5 Drawing Sheets**



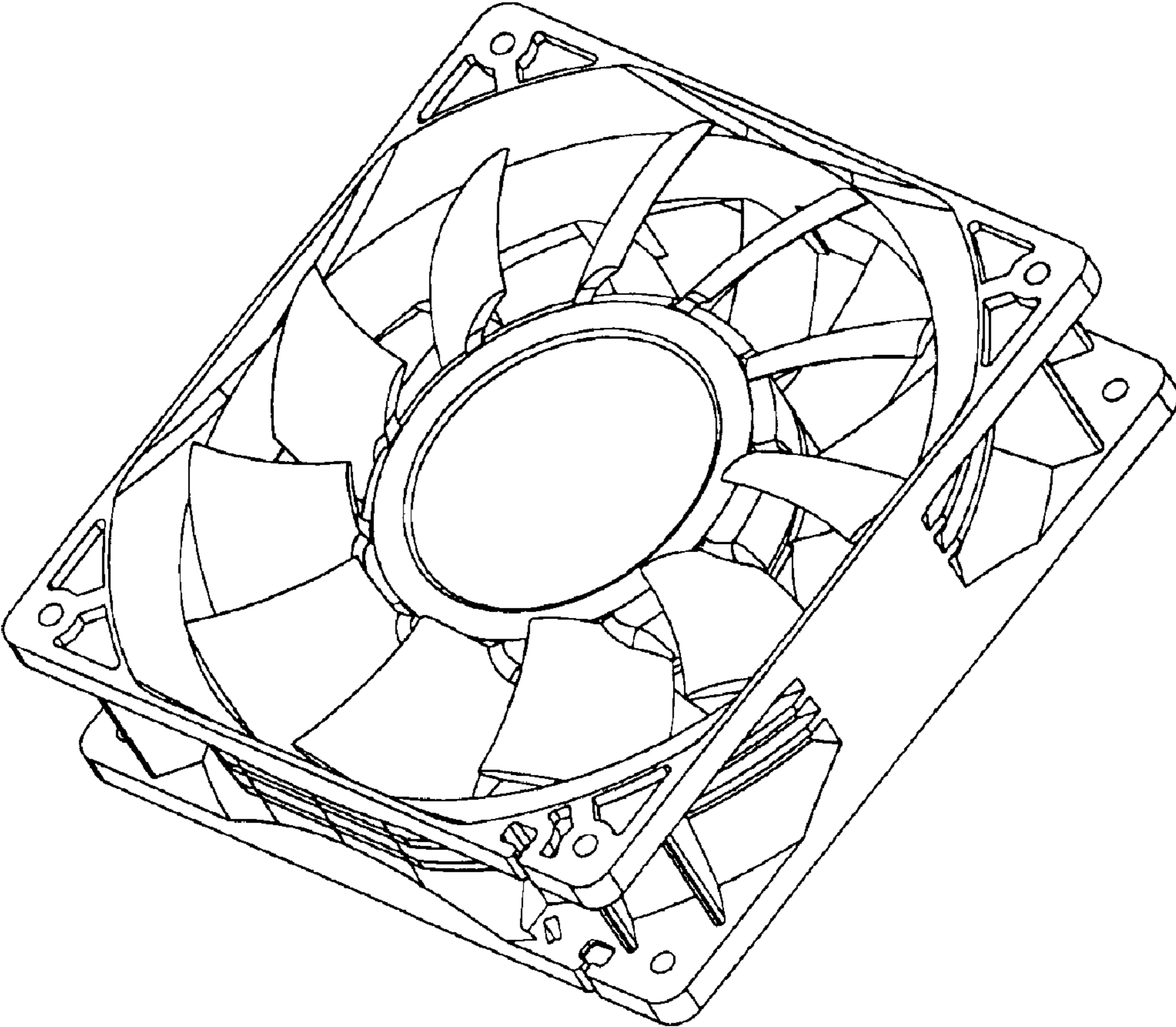


Fig. 1

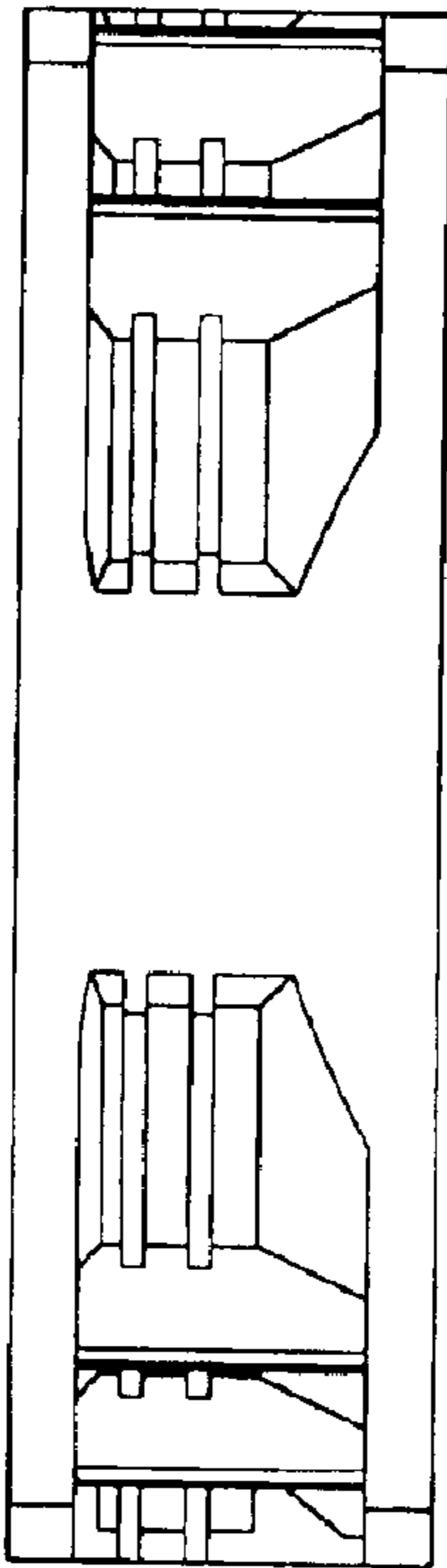


Fig. 2

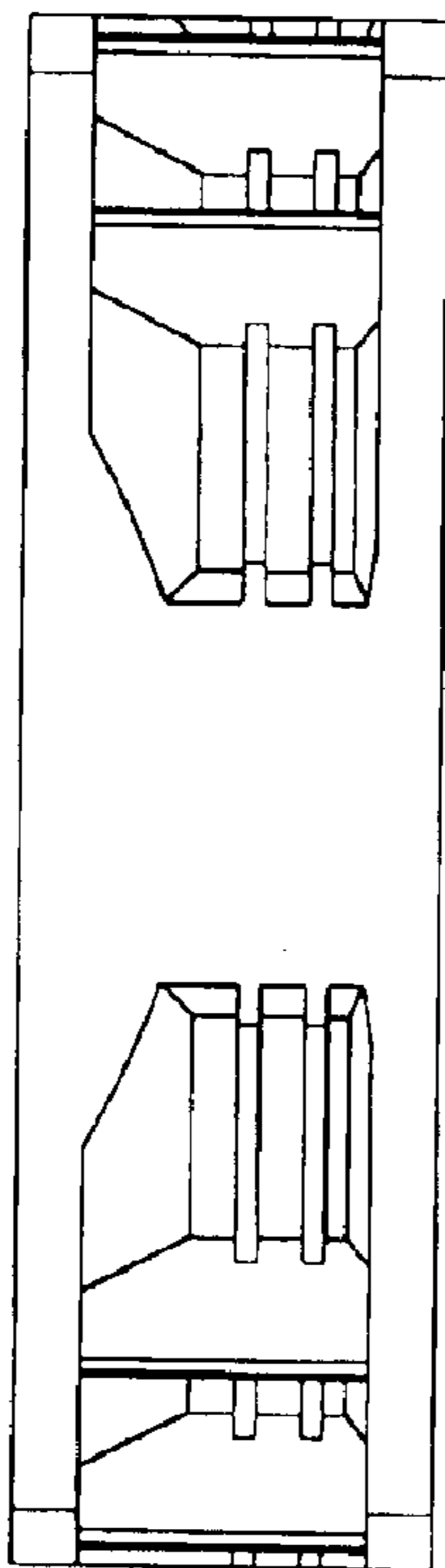


Fig. 6

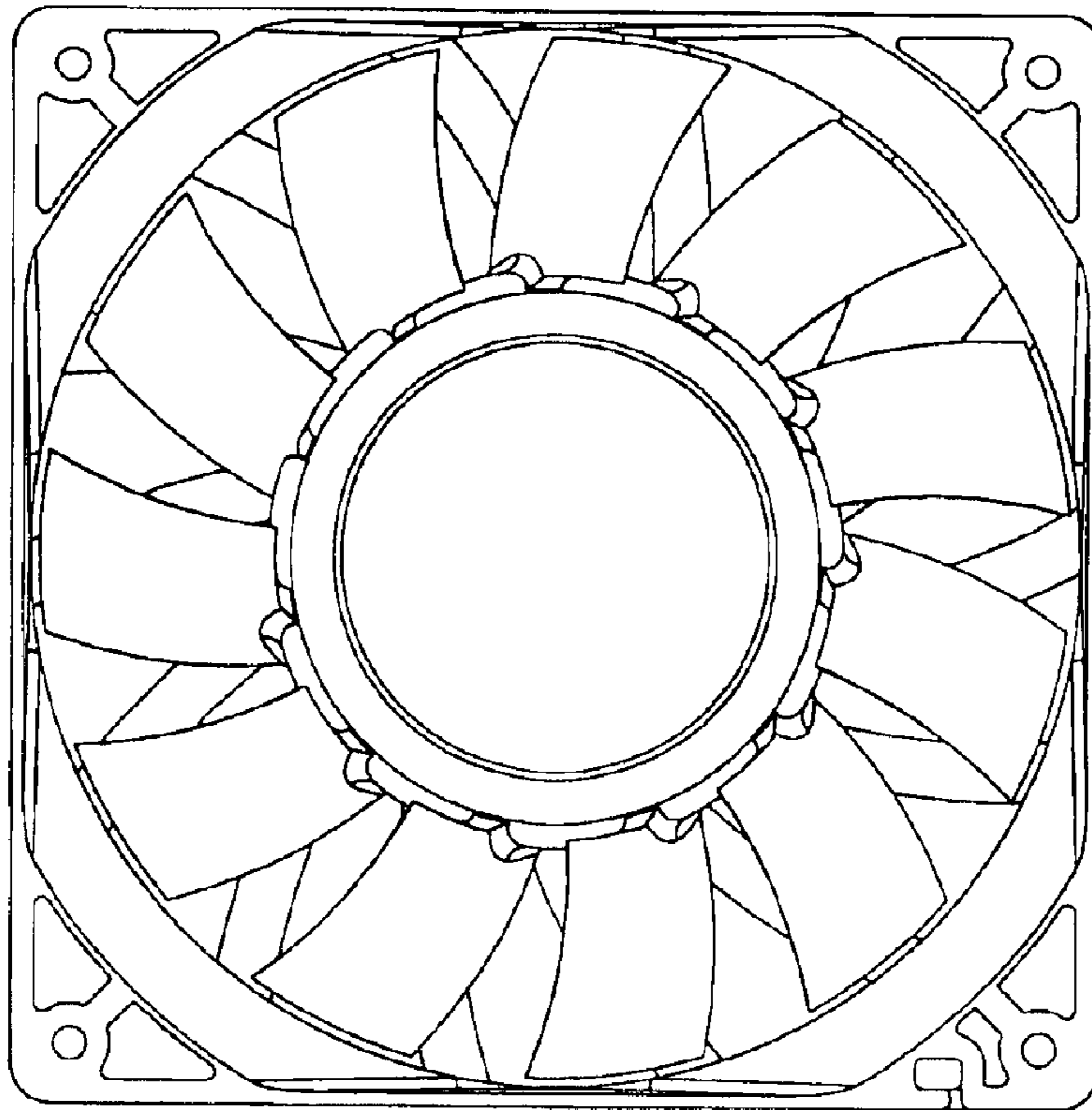


Fig. 3

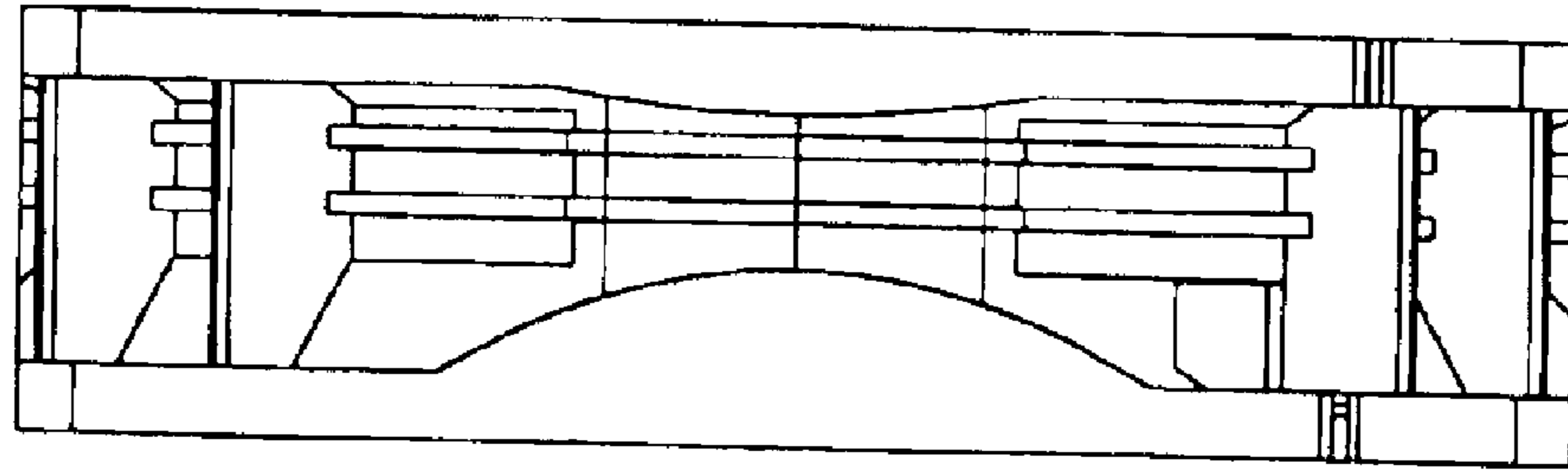


Fig. 4

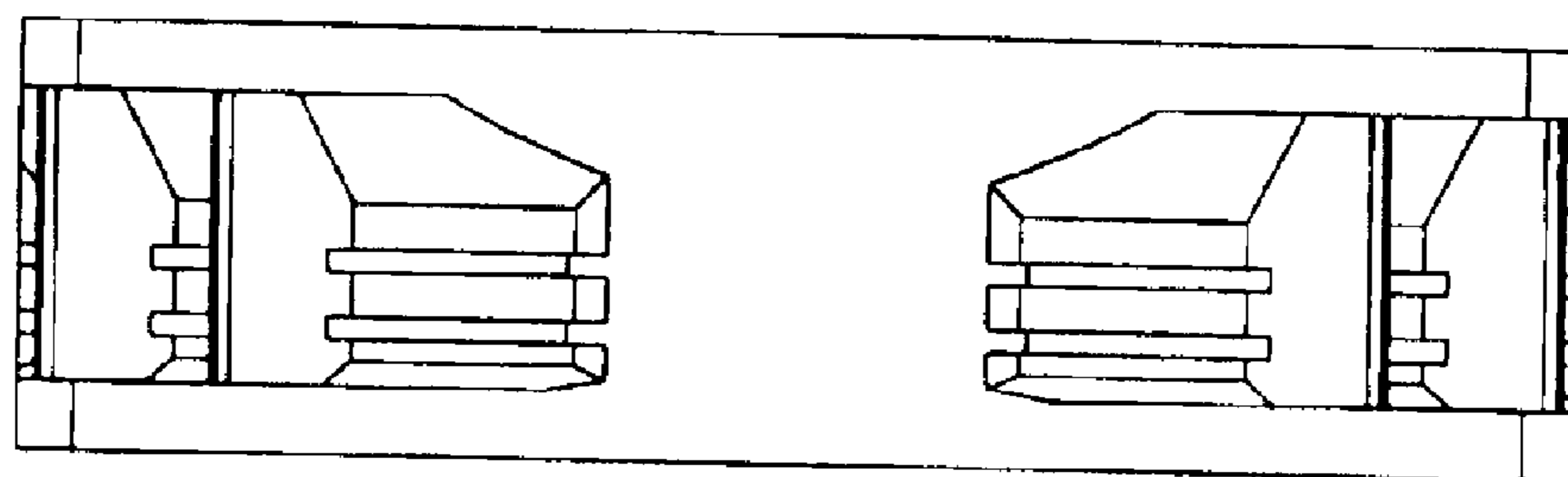


Fig. 7

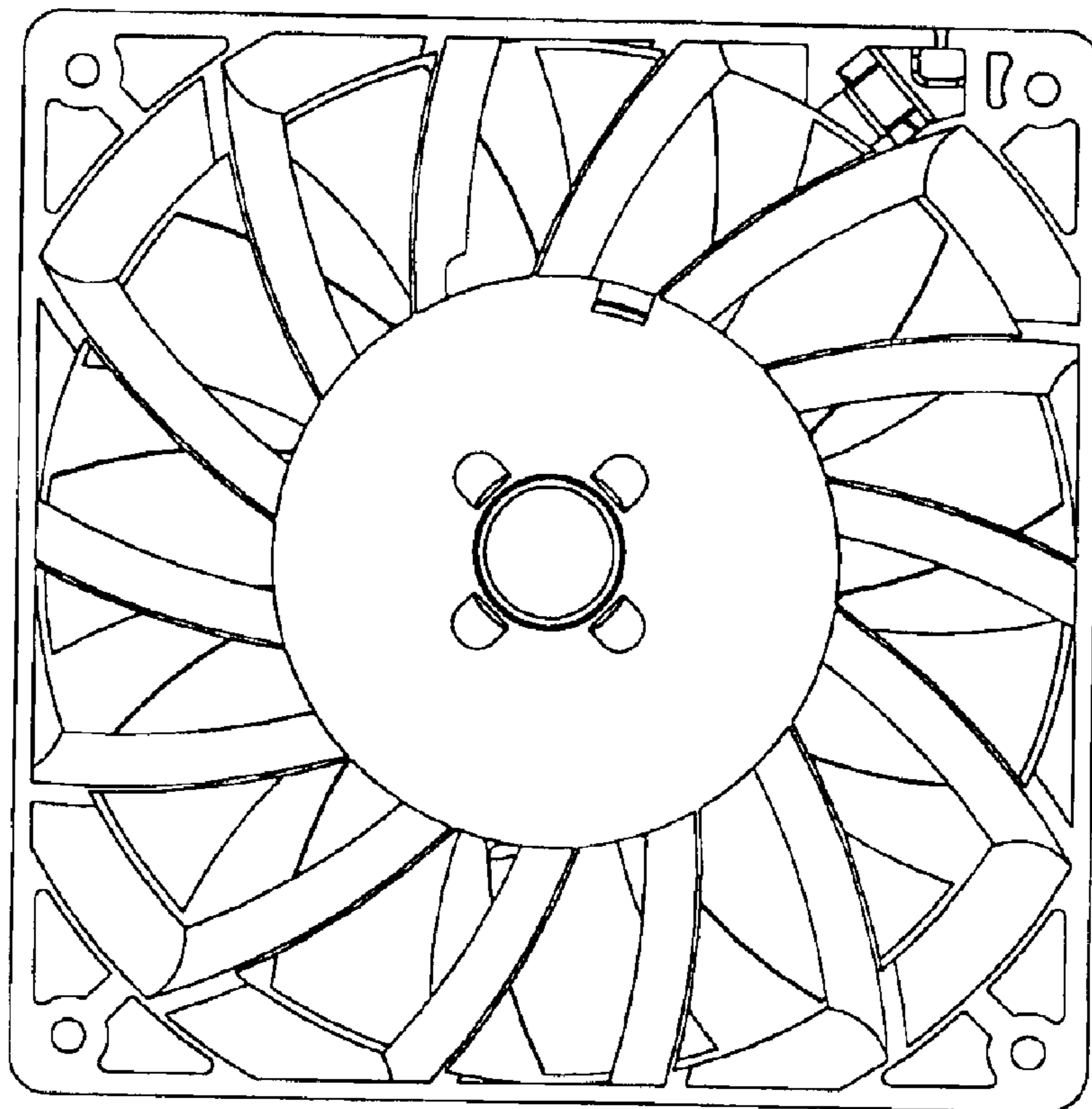


Fig. 5