



US00D507634S

(12) **United States Design Patent** (10) **Patent No.:** **US D507,634 S**
Loberger et al. (45) **Date of Patent:** **** Jul. 19, 2005**

(54) **COVER FOR A LAVATORY SYSTEM**

DE G 93 04 160.8 U1 9/1994
JP 1-256632 10/1989

(75) Inventors: **John M. Loberger**, Germantown, WI (US); **Jason M. Renner**, Greenfield, WI (US)

OTHER PUBLICATIONS

(73) Assignee: **Bradley Fixtures Corporation**, Menomonee Falls, WI (US)

“Innovative Applications in Solid Surface,” The Journal of the Solid Surface Industry, Jan./Feb. 2002, vol. 8, No. 1 (3 pages).

(**) Term: **14 Years**

Brueton advertisement for undulatus bench, Home Design/The New York Times Magazine, 2 pages.

(21) Appl. No.: **29/197,844**

Bradley Corporation, “Plumbing Fixtures,” bearing a designation “2001.”

(22) Filed: **Jan. 21, 2004**

Bradley Corporation, Terreon: “Shaping your designs,” bearing a designation “© 1998 Bradley Fixtures Corporation.”

Related U.S. Application Data

Bradley Corporation, The Bradley Express Lavatory System: “A look, a feel, an idea as solid as granite,” bearing a designation “© 1996 Bradley Corporation.”

(62) Division of application No. 10/637,801, filed on Aug. 8, 2003.

International Search Report; International Application No. PCT/US2004/007675 including written opinion of the International Searching Authority; (7 pgs.); mailed Aug. 6, 2004.

(51) **LOC (8) Cl.** **23-02**

(52) **U.S. Cl.** **D23/308**

(58) **Field of Search** D23/270–273, D23/284–293.1, 303, 308; 4/661–666, 619, 624, 630–631, 638, 643, 515

Primary Examiner—Robert A. Delehanty

(74) *Attorney, Agent, or Firm*—Foley & Lardner LLP

(57) **CLAIM**

(56) **References Cited**

We claim the ornamental design for a cover for a lavatory system, as shown and described.

U.S. PATENT DOCUMENTS

DESCRIPTION

540,235 A	6/1895	Clifford et al.	
D30,136 S	2/1899	Eckerson	
D36,574 S	10/1903	Zipp	
D36,575 S	10/1903	Zipp	
D36,595 S	10/1903	Peet	
937,509 A	10/1909	Carpenter	
1,323,398 A	12/1919	Leland	
1,616,313 A	2/1927	Farmer	
1,659,851 A *	2/1928	Brewington	4/643
D81,754 S	8/1930	Mabee	

FIG. 1 is a front perspective view of the claimed design;
FIG. 2 is a rear perspective view;
FIG. 3 is a front view;
FIG. 4 is a rear view;
FIG. 5 is a top view;
FIG. 6 is a bottom view;
FIG. 7 is a right side view; and,
FIG. 8 is a left side view.

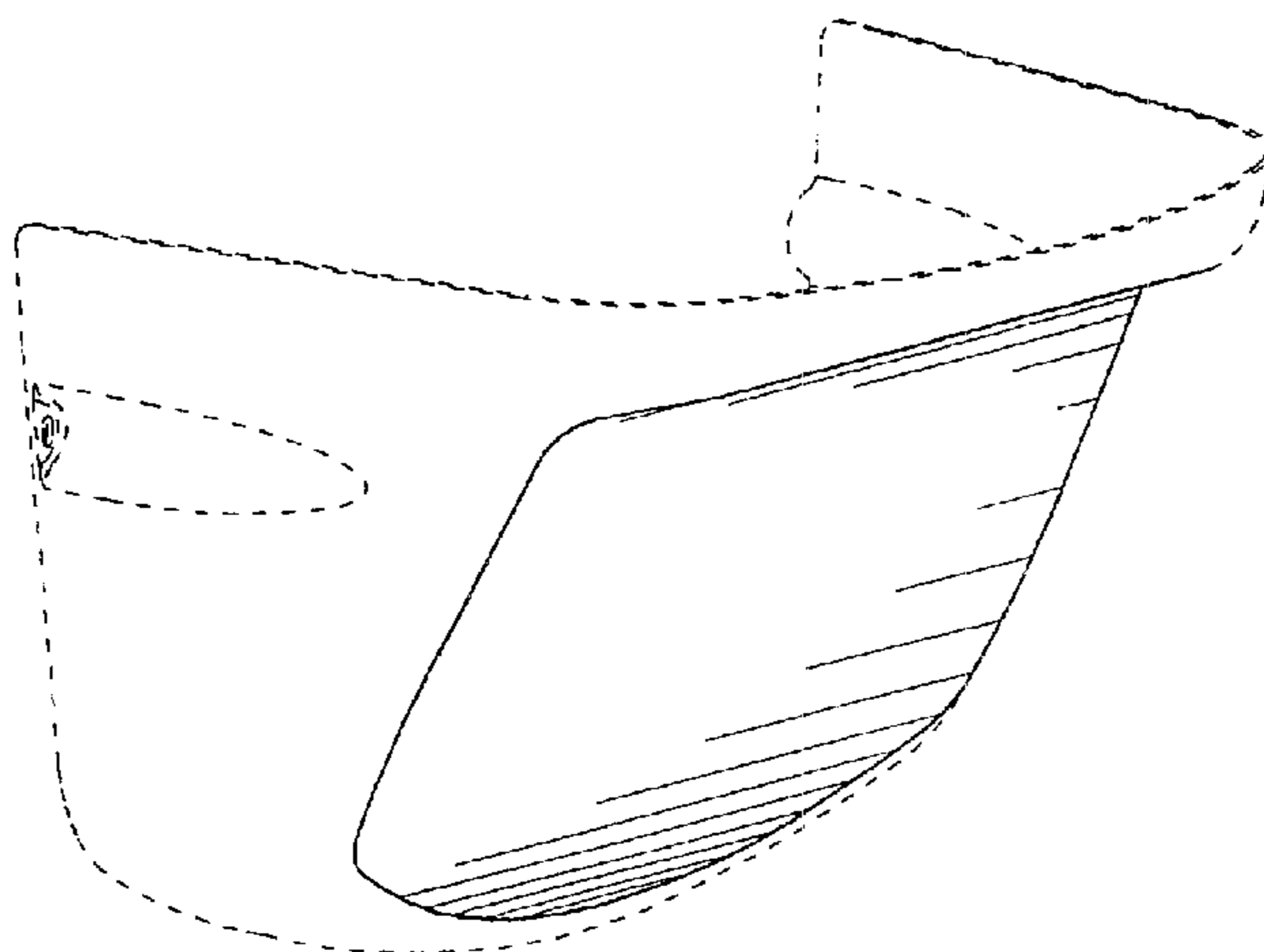
(Continued)

The ornamental design which is claimed is shown in solid lines in the drawings. The broken lines in the drawings are for illustrative purposes only and form no part of the claimed design.

FOREIGN PATENT DOCUMENTS

AT	141398	4/1935
DE	2 304 815	8/1974
DE	G 93 04 270.1 U1	9/1993

1 Claim, 4 Drawing Sheets



US D507,634 S

Page 2

U.S. PATENT DOCUMENTS

D100,310 S	7/1936	Biu	
D170,204 S	8/1953	Long	
D201,493 S	6/1965	Sundberg et al.	
D210,131 S	2/1968	Rourke	
D238,075 S	* 12/1975	Harris D23/308
D251,795 S	5/1979	McCann	
D260,678 S	9/1981	Hiller	
4,336,619 A	* 6/1982	Hinkel et al. 4/619
D279,404 S	6/1985	Hiller	
D326,711 S	6/1992	Lotito et al.	
D336,572 S	6/1993	Gunderson et al.	
5,230,109 A	7/1993	Zaccai et al.	
5,253,376 A	* 10/1993	Fait 4/643
5,363,517 A	* 11/1994	Botsolas 4/661
5,369,818 A	12/1994	Barnum et al.	
5,412,818 A	5/1995	Chen	
D361,372 S	8/1995	Enthoven	
D362,901 S	10/1995	Dannenberg et al.	
D364,675 S	11/1995	Tebbe	
5,561,871 A	10/1996	Laughton	
5,611,093 A	3/1997	Barnum et al.	
D387,144 S	* 12/1997	Flaherty D23/308
D393,700 S	* 4/1998	Trueb et al. D23/308
5,819,335 A	10/1998	Hennessy	
D402,358 S	12/1998	Bonnell	
D411,876 S	7/1999	Hafner et al.	
D420,727 S	2/2000	Hundley	
D422,346 S	4/2000	Svendsen	
D428,477 S	7/2000	O'Connell et al.	
D431,288 S	* 9/2000	Helmsderfer D23/308
D435,893 S	* 1/2001	Helmsderfer D23/308
6,212,707 B1	4/2001	Thompson et al.	
D446,664 S	8/2001	Petri	
D448,585 S	10/2001	Petri	
D453,882 S	2/2002	Petri	
D462,195 S	9/2002	Wang	
D477,060 S	7/2003	Loberger et al.	
D484,958 S	1/2004	Loberger et al.	
2003/0188380 A1	10/2003	Loberger et al.	

* cited by examiner

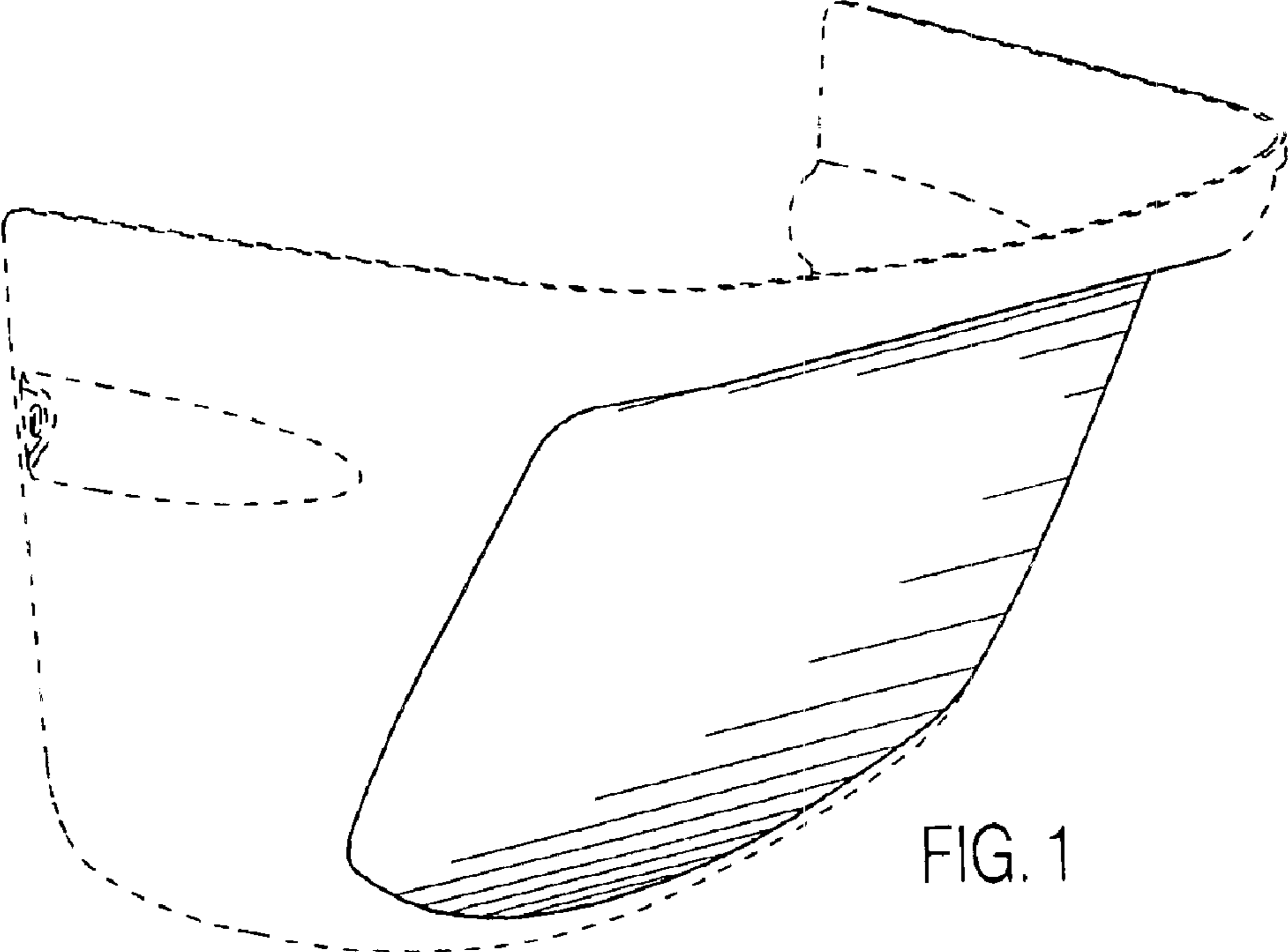


FIG. 1

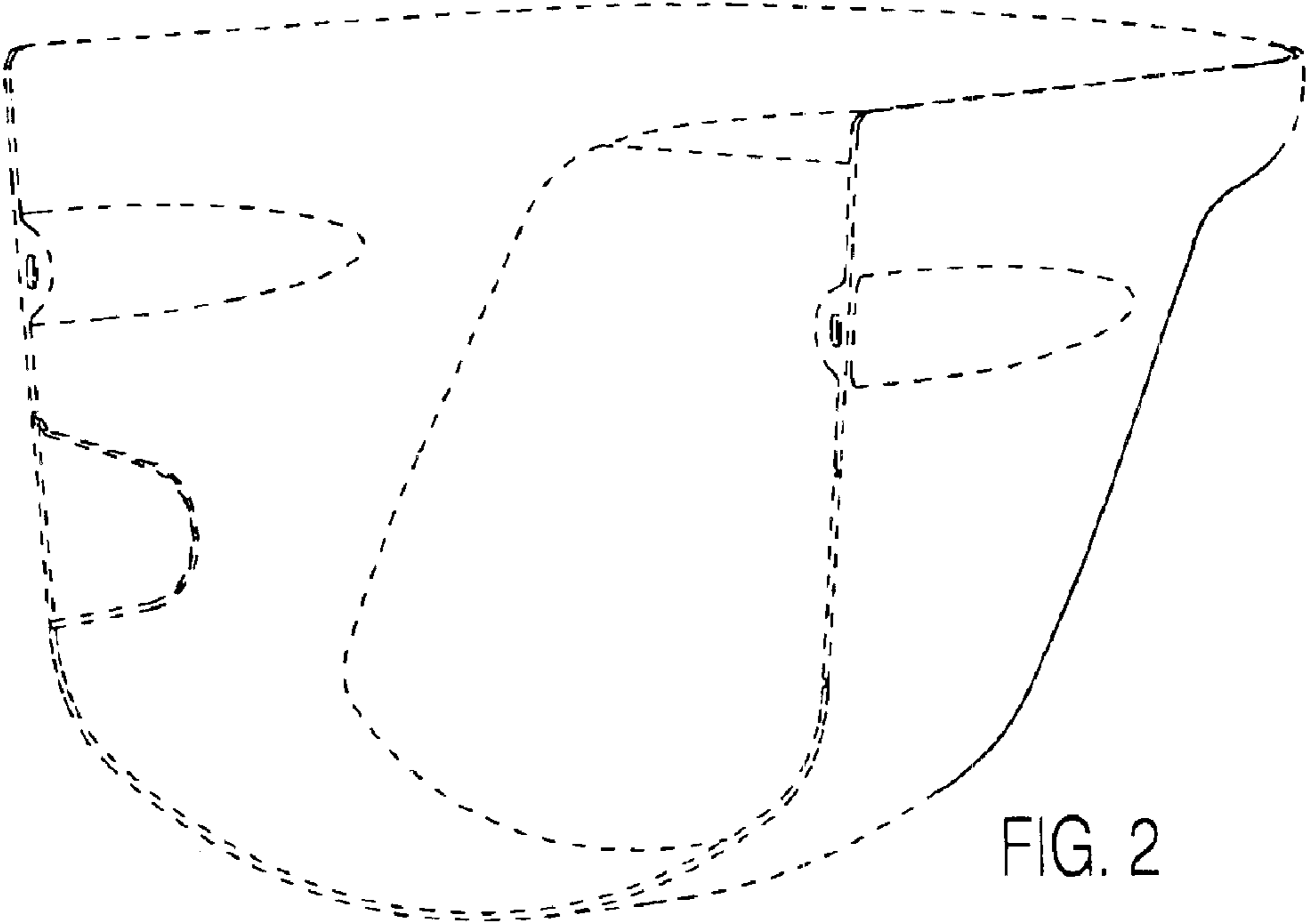


FIG. 2

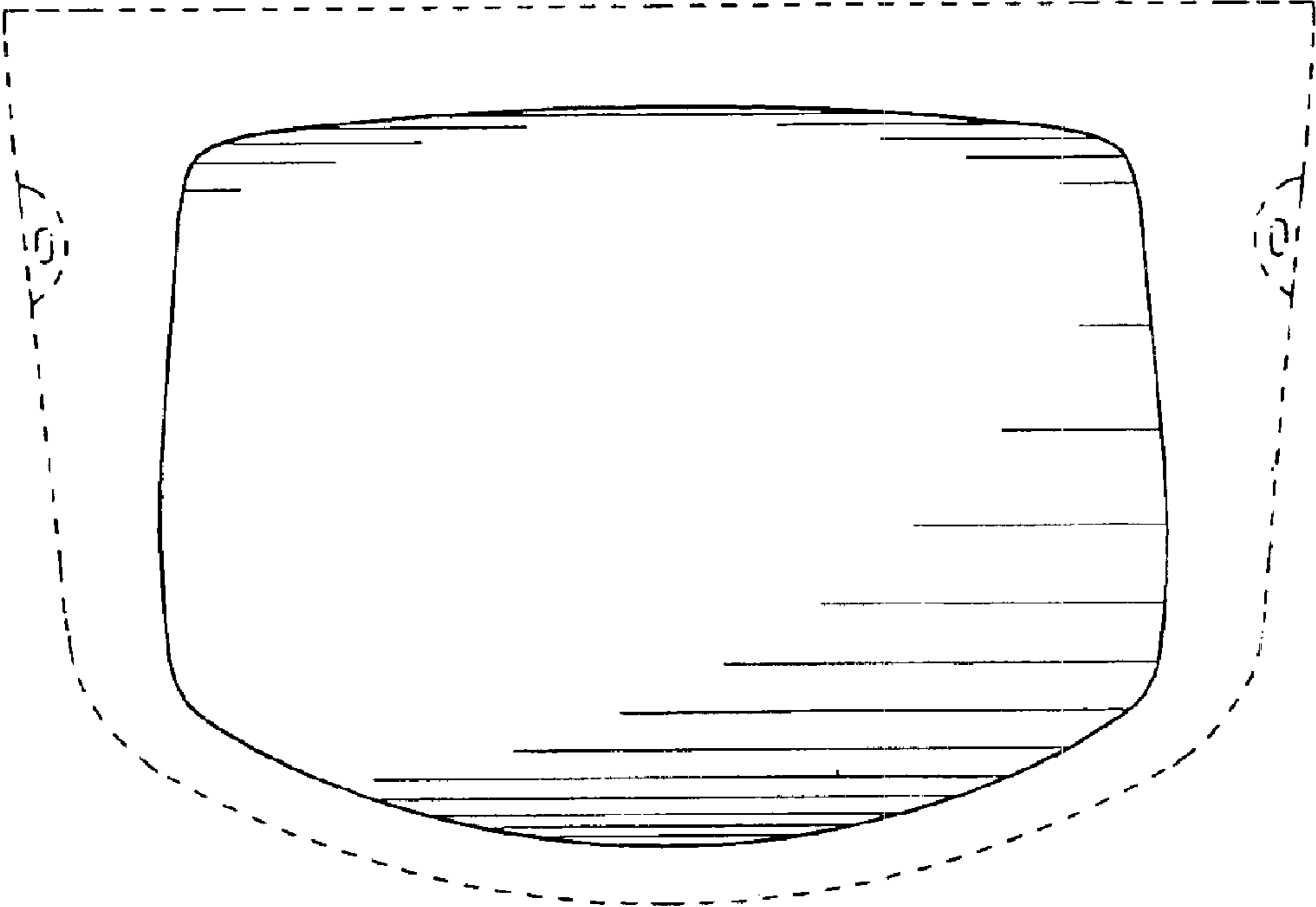


FIG. 3

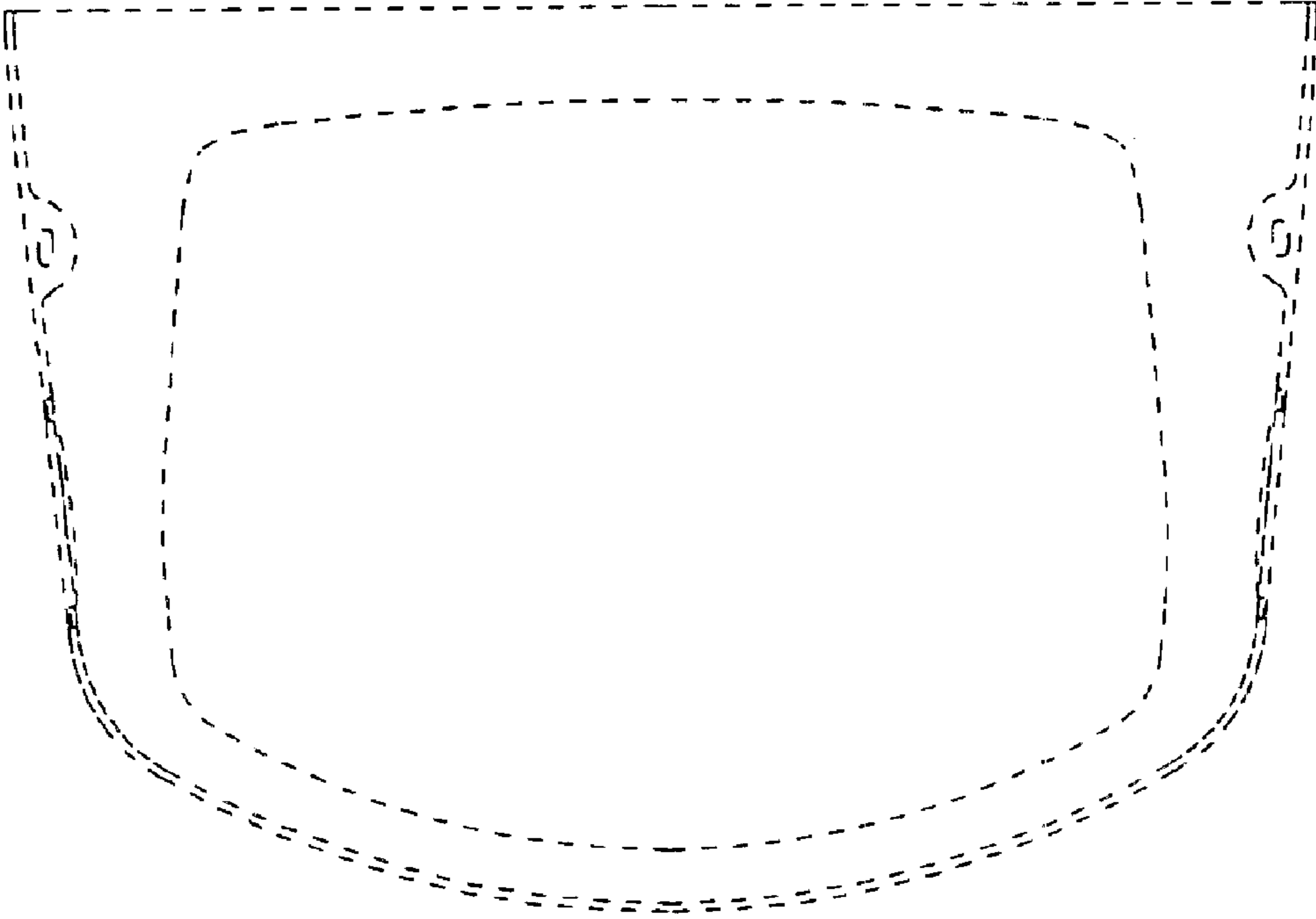


FIG. 4

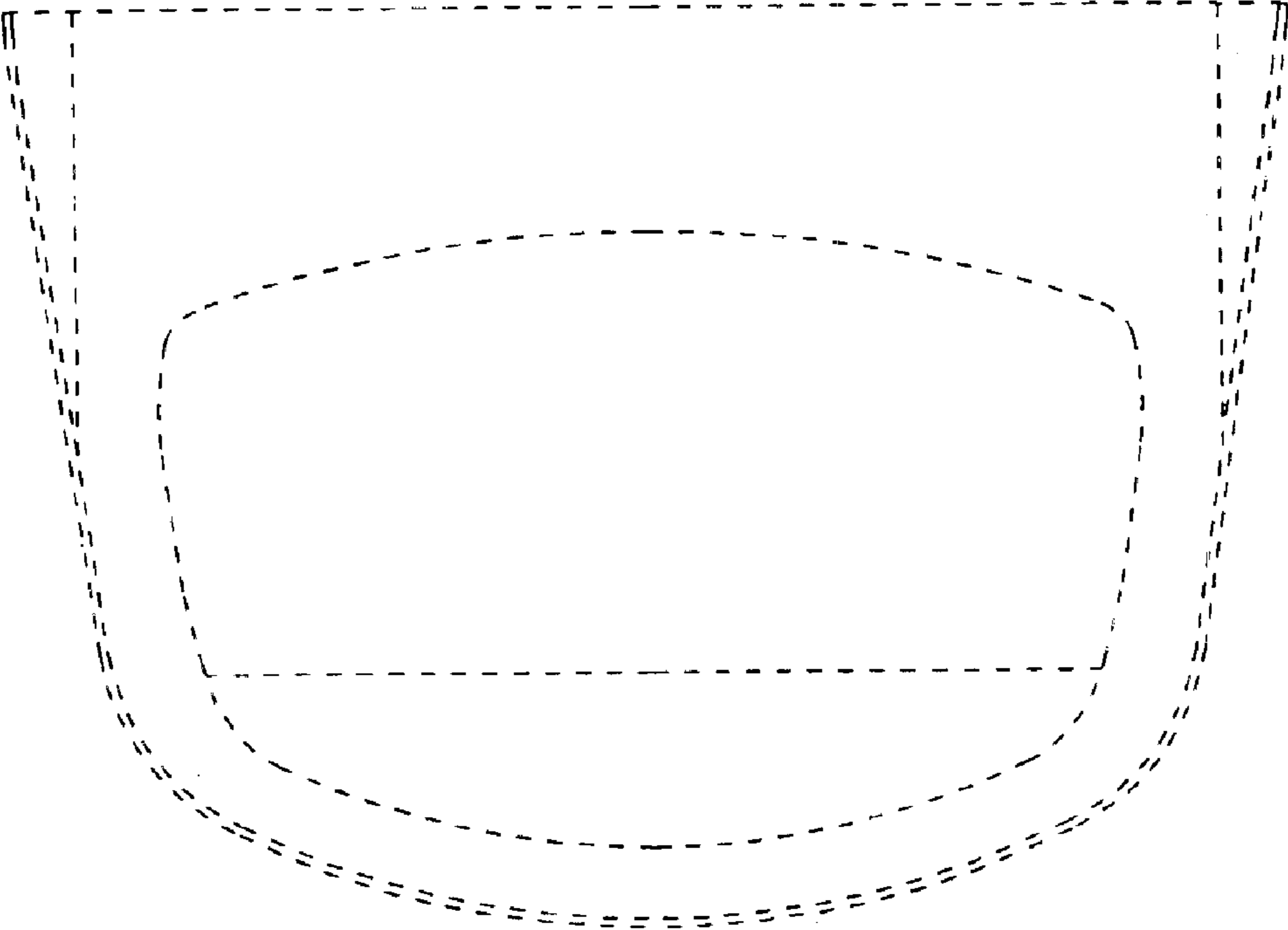


FIG. 5

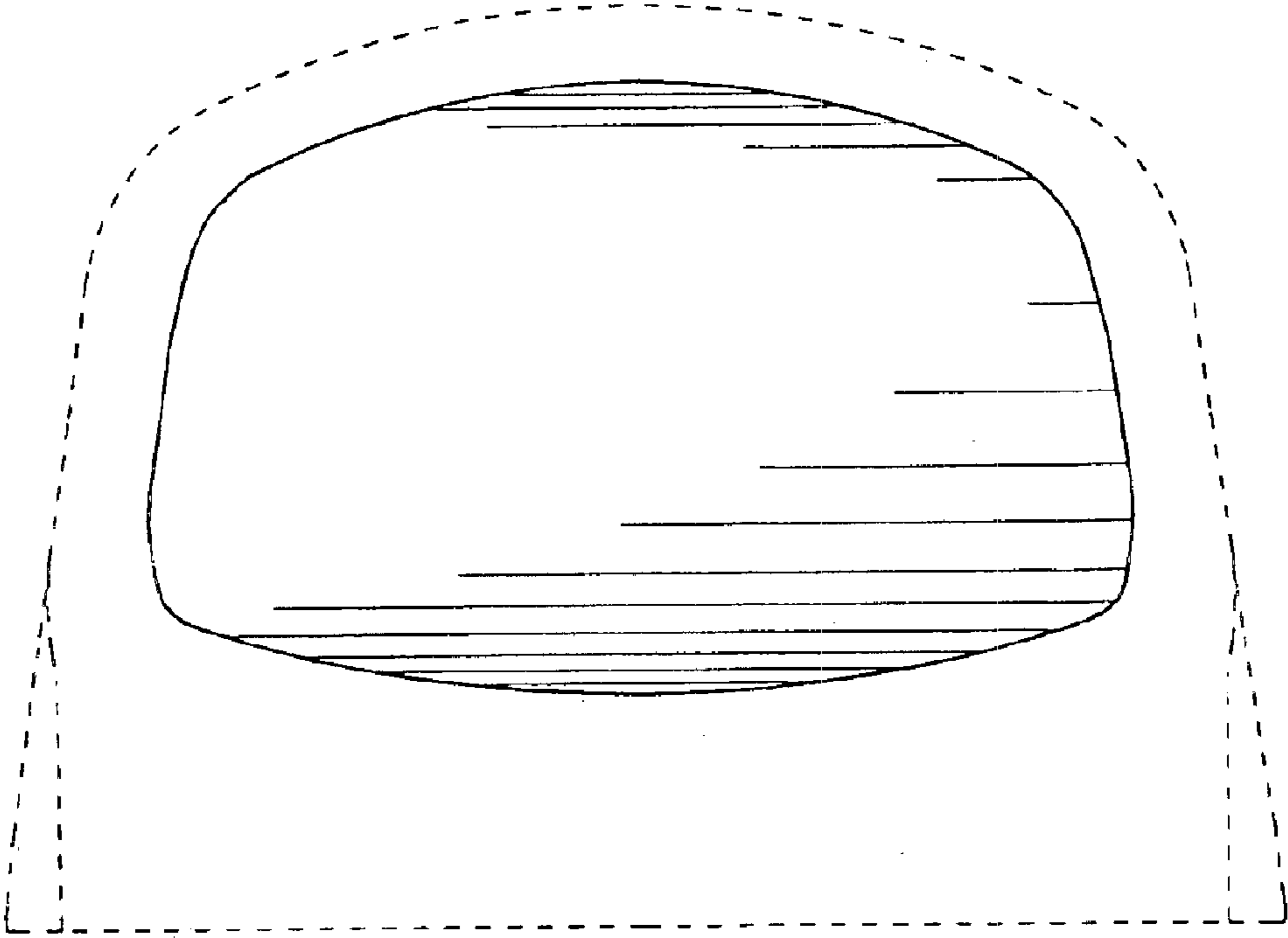


FIG. 6

