



US00D507633S

(12) **United States Design Patent**  
**Spangler**

(10) **Patent No.:** **US D507,633 S**

(45) **Date of Patent:** **\*\* Jul. 19, 2005**

(54) **SHOWER CONTROL**

D454,176 S 3/2002 Lord ..... D23/254  
D464,713 S 10/2002 Lenart et al. .... D23/254

(75) **Inventor:** **Anthony G. Spangler**, Greensburg, IN (US)

*Primary Examiner*—Louis S. Zarfes

*Assistant Examiner*—Gregory Andoll

(73) **Assignee:** **Brasstech, Inc.**, Santa Ana, CA (US)

(74) *Attorney, Agent, or Firm*—Kwadjo Adusei-Poku; Lloyd D. Doigan

(\*\*) **Term:** **14 Years**

(57) **CLAIM**

(21) **Appl. No.:** **29/204,995**

The ornamental design for a shower control, as shown and described.

(22) **Filed:** **May 7, 2004**

**DESCRIPTION**

(51) **LOC (8) Cl.** ..... **23-01**

(52) **U.S. Cl.** ..... **D23/254**

(58) **Field of Search** ..... D23/238–243,  
D23/245, 250–257; D8/300–322, 350–353,  
DIG. 3; 16/110.1; 4/675–678; 137/801

FIG. 1 is a front perspective view of a shower control showing my new design;

FIG. 2 is a rear perspective view thereof;

FIG. 3 is a front elevational view thereof;

FIG. 4 is a right side elevational view thereof;

FIG. 5 is a left side elevational view thereof;

FIG. 6 is a top plan view thereof; and,

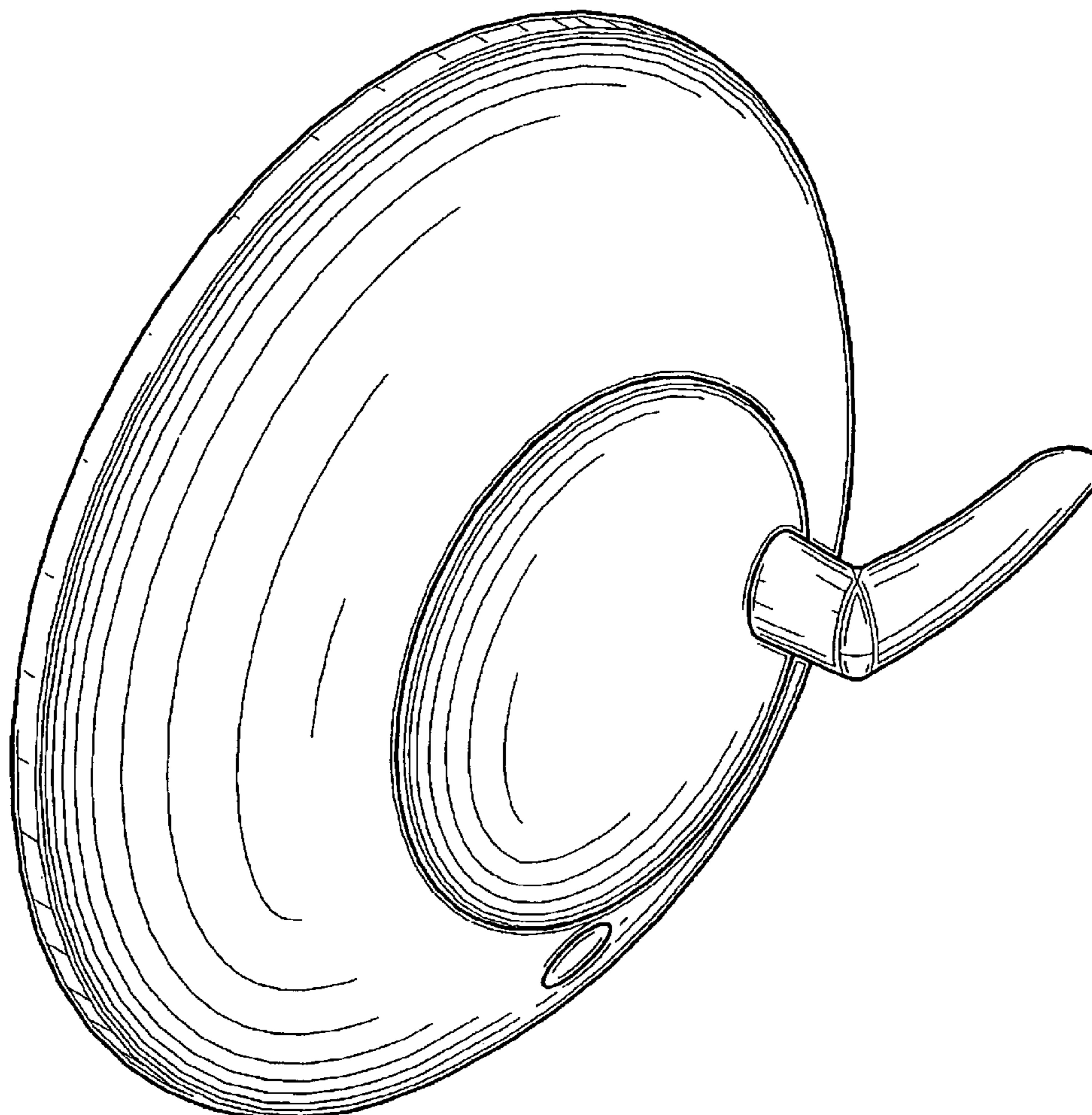
FIG. 7 is a bottom plan view thereof.

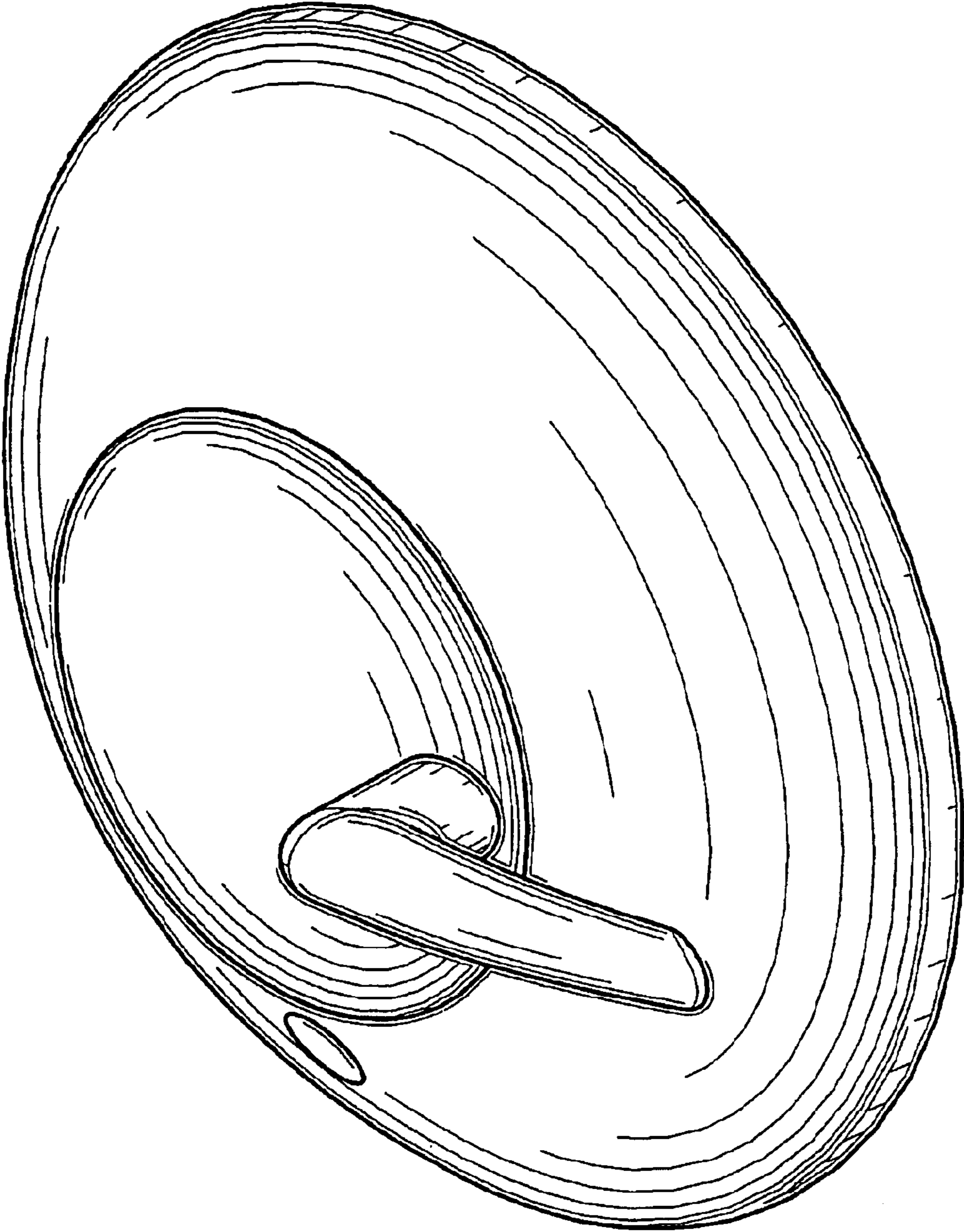
(56) **References Cited**

**U.S. PATENT DOCUMENTS**

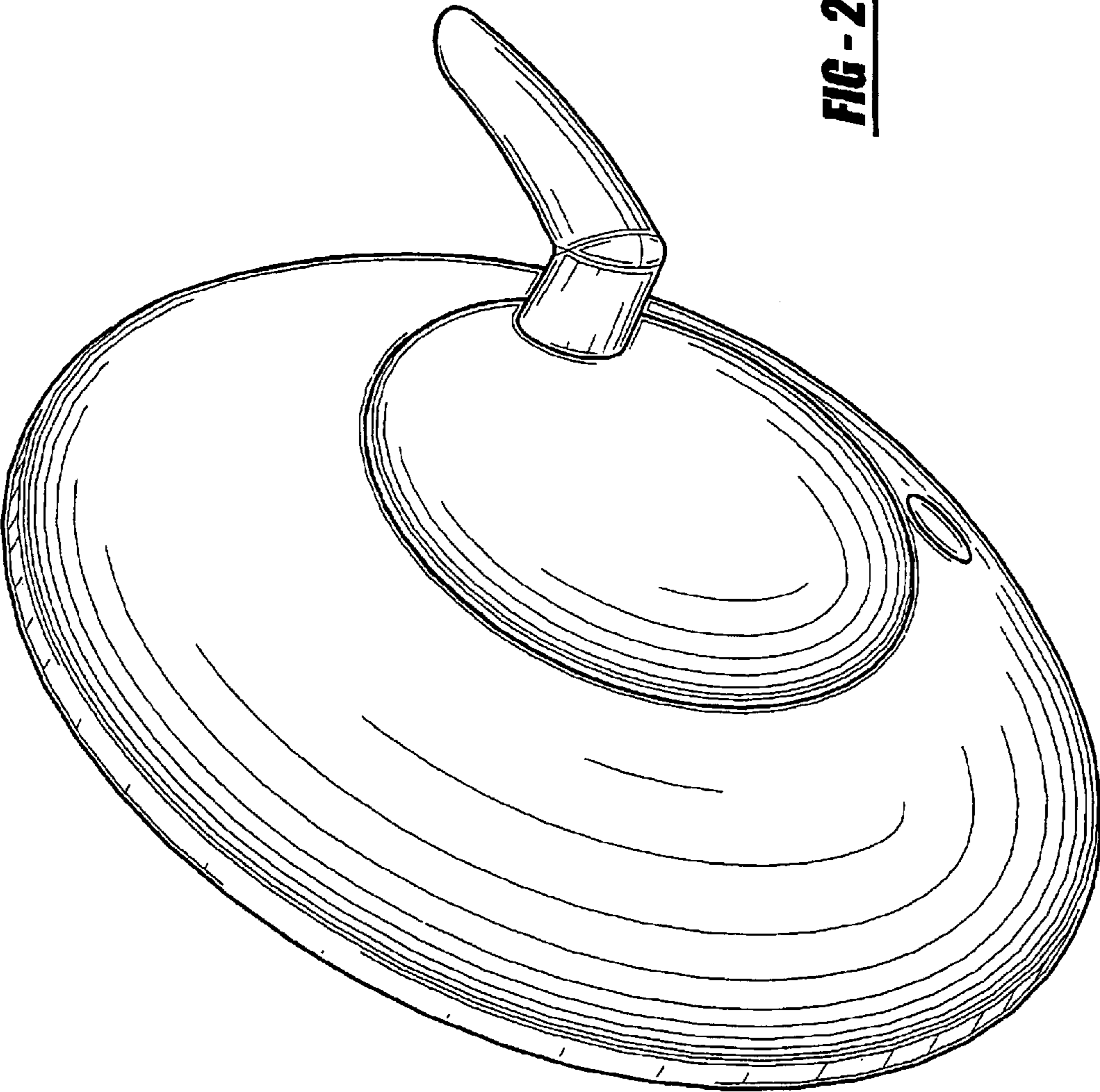
D372,764 S 8/1996 Dubin ..... D23/254  
D427,290 S 6/2000 Milrud et al. .... D23/254

**1 Claim, 5 Drawing Sheets**

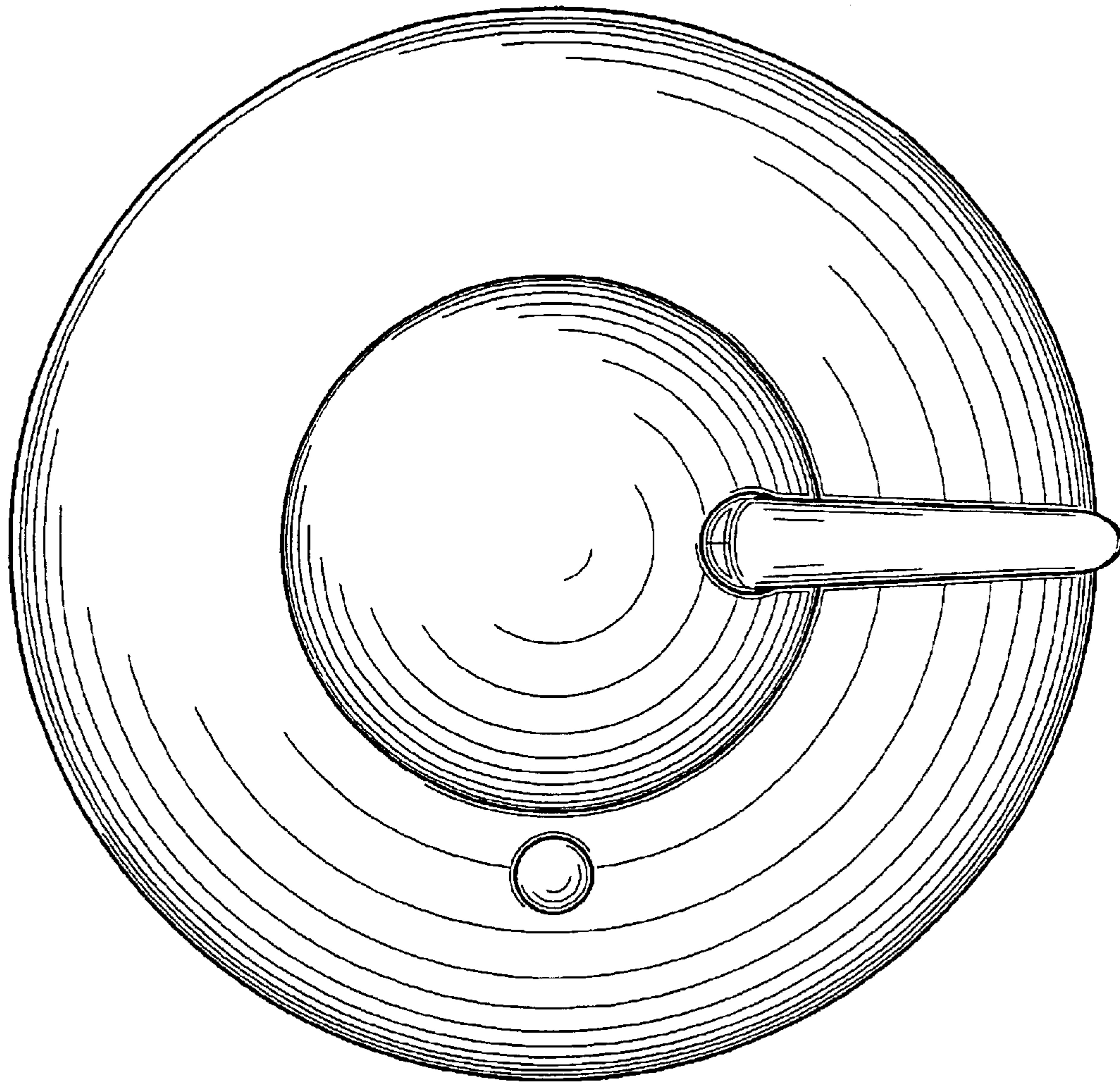




**FIG - 1**

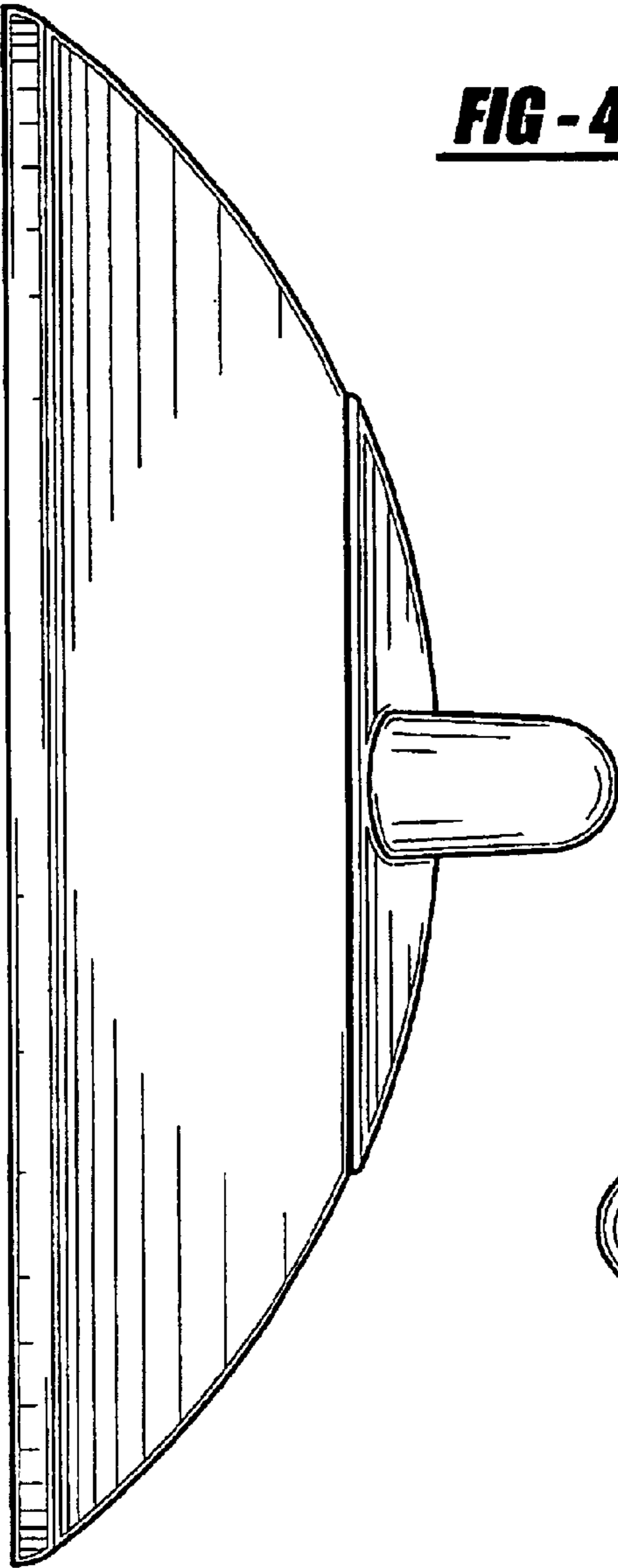


**FIG - 2**

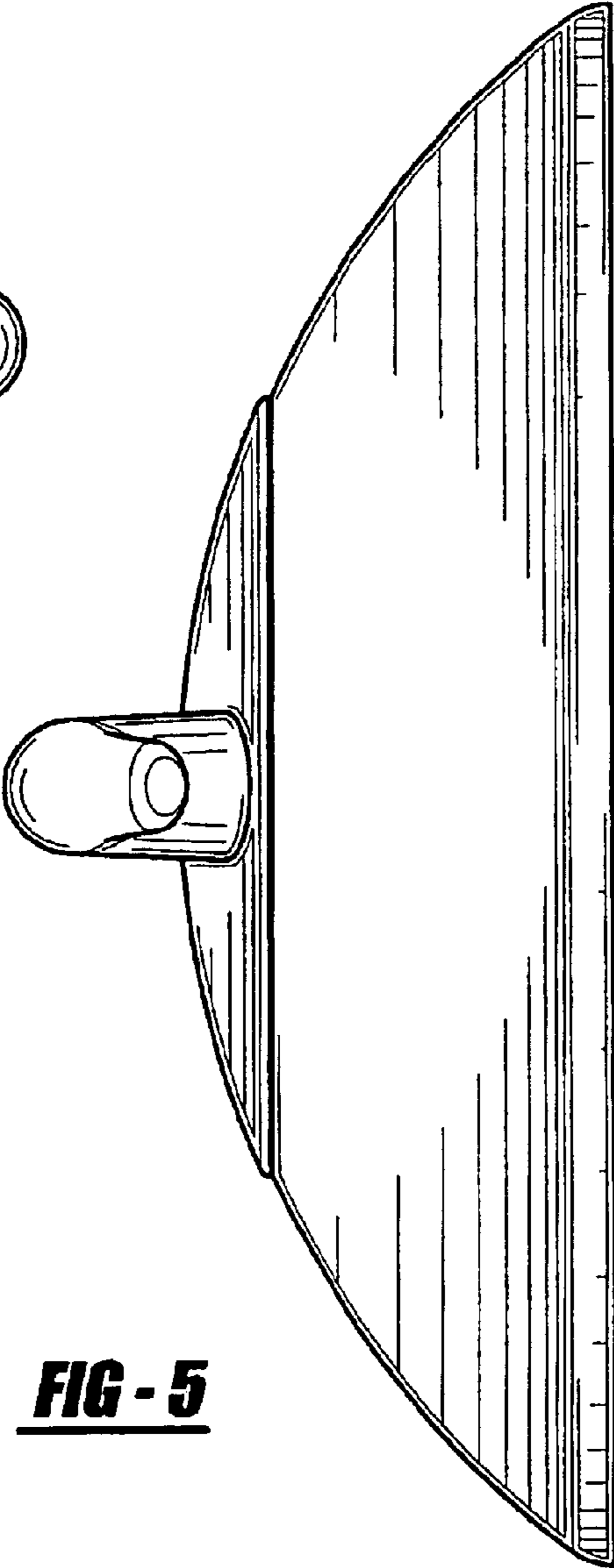


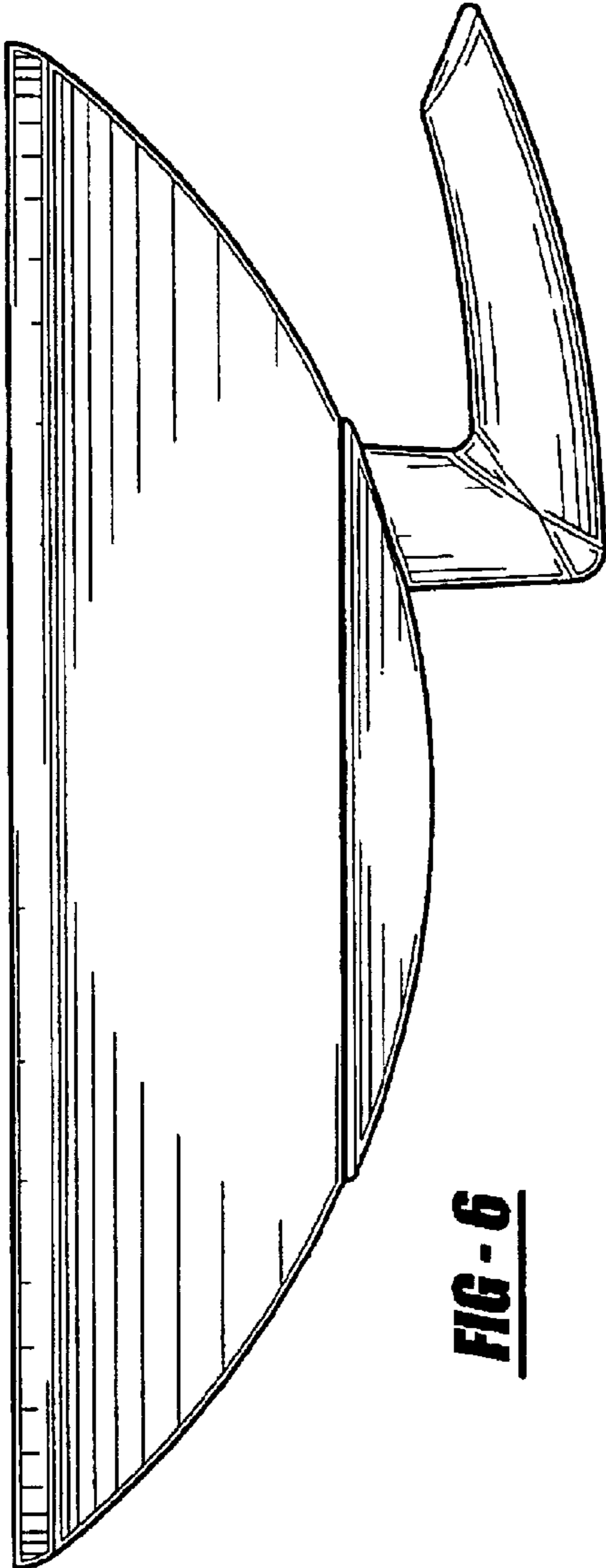
**FIG - 3**

**FIG - 4**

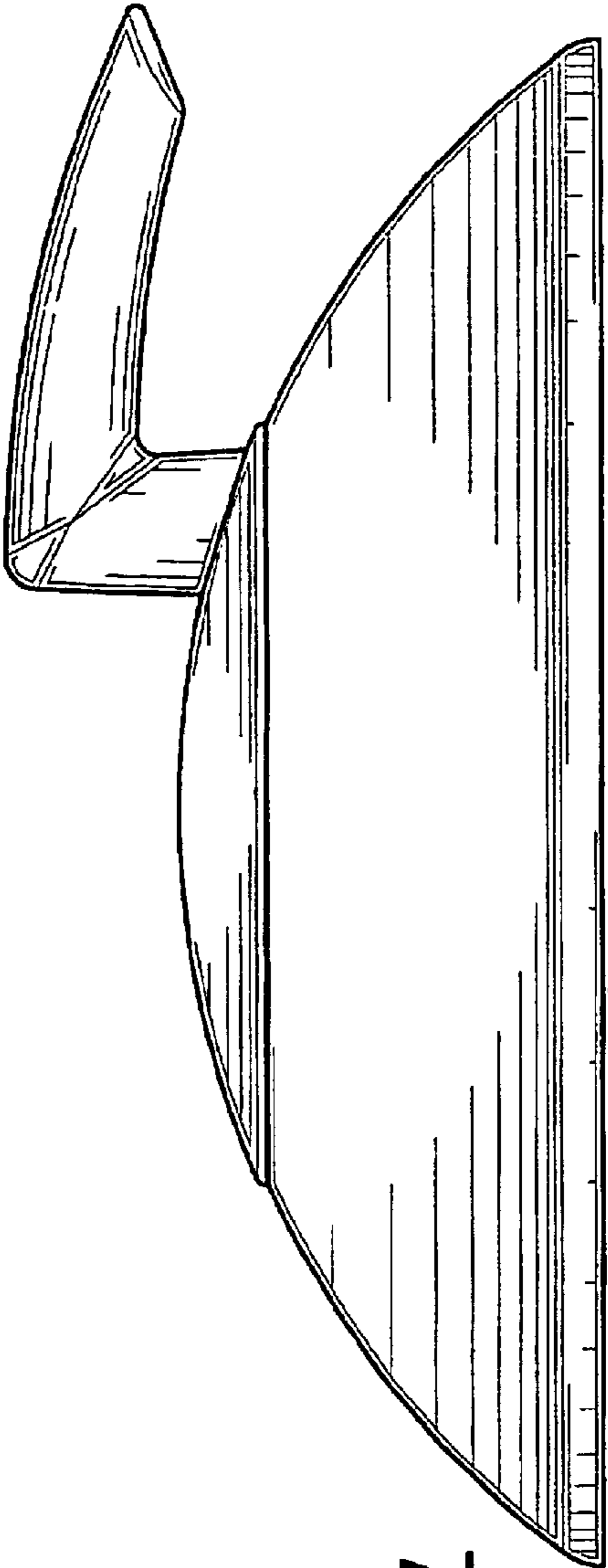


**FIG - 5**





**FIG - 6**



**FIG - 7**