

US00D507631S

(12) **United States Design Patent** (10) **Patent No.:** **US D507,631 S**  
**Danby et al.** (45) **Date of Patent:** **\*\* Jul. 19, 2005**

(54) **VALVE**

**FOREIGN PATENT DOCUMENTS**

(75) Inventors: **Hal C. Danby**, Sudbury (GB); **Julian F. R. Swan**, London (GB)  
(73) Assignee: **Baxter International Inc.**, Deerfield, IL (US)  
(\*\*) Term: **14 Years**  
(21) Appl. No.: **29/177,834**  
(22) Filed: **Mar. 17, 2003**  
(51) **LOC (8) Cl.** ..... **23-01**  
(52) **U.S. Cl.** ..... **D23/233**  
(58) **Field of Search** ..... D23/233-245;  
137/494, 846, 907-908, 509, 511; 251/5;  
220/705, 715; 222/509

AU	B-77302/87	2/1988
AU	B-83126/87	7/1988
AU	B-46621/89	6/1990
AU	B-57350/90	1/1991
AU	B-35525/93	5/1993
AU	B-32520/93	7/1993
AU	B-23138/92	9/1993
AU	B-59472/94	6/1994
AU	B-60636/96	9/1996
AU	B-56228/96	1/1997
AU	199652110 B2	11/1997
CH	528 098	11/1976
CH	582 098 A5	11/1976

(Continued)

(56) **References Cited**

**OTHER PUBLICATIONS**

**U.S. PATENT DOCUMENTS**

Sample of a Source Vagabond Systems, Inc.

*Primary Examiner*—Nelson C. Holtje  
(74) *Attorney, Agent, or Firm*—Joseph P. Reagen; Wallenstein, Wagner & Rockey, Ltd.

274,447 A	3/1883	Kennish	
1,893,401 A	1/1933	De Jesus-Angeles	
2,555,490 A	6/1951	Horn	
2,893,381 A	7/1959	Black	
D192,896 S	* 5/1962	Milette	..... D23/244
3,356,267 A	12/1967	Scholle	
3,608,574 A	9/1971	Beussant	
3,746,036 A	7/1973	Du Bois et al.	
3,752,366 A	8/1973	Lawrence, Jr.	
3,754,690 A	8/1973	Marchant	
3,768,970 A	10/1973	Malmin	
4,071,025 A	1/1978	Kohnke	
4,102,476 A	7/1978	Loeffler	
4,135,513 A	1/1979	Arisland	
4,167,184 A	9/1979	Köhnke	
4,356,823 A	* 11/1982	Jackson	..... 604/119
4,420,097 A	12/1983	Motsenbocker	
4,483,465 A	11/1984	Lawrence	
4,534,542 A	8/1985	Russo	
4,621,544 A	11/1986	Re	
4,635,897 A	1/1987	Gallant	
4,662,598 A	5/1987	Weingarten	

(57) **CLAIM**

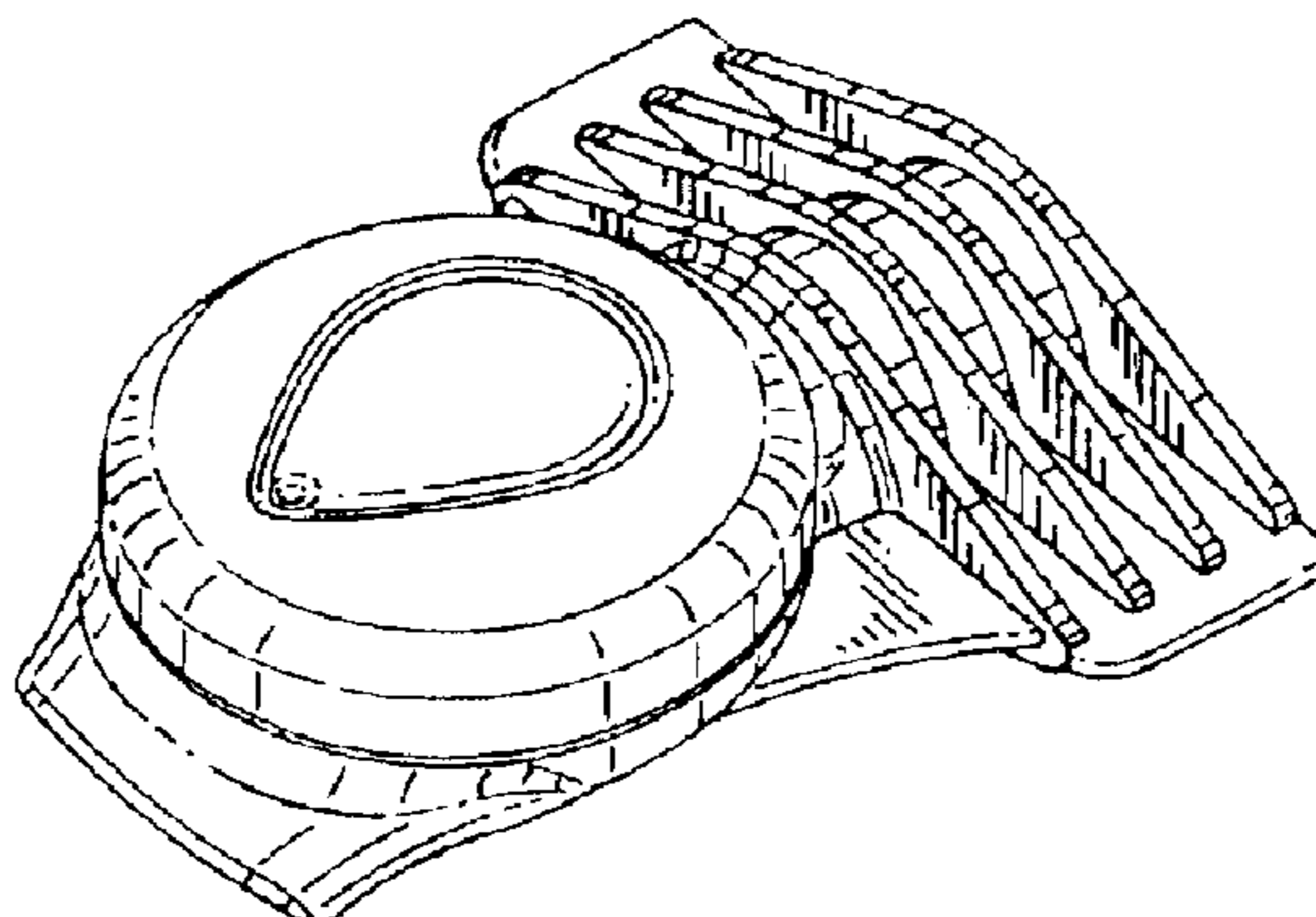
What is claimed is the ornamental design for a valve, as shown and described.

**DESCRIPTION**

FIG. 1 is a front perspective view of a valve showing my new design.  
FIG. 2 is a top plan view of the valve.  
FIG. 3 is a bottom plan view of the valve.  
FIG. 4 is a side elevation view of the valve, the opposite side view being identical thereto.  
FIG. 5 is a front elevation view of the valve.  
FIG. 6 is a rear elevation view of the valve; and,  
FIG. 7 is a perspective view of an alternative embodiment of the valve of FIGS. 1-6, the valve of FIG. 7 not having the fins shown in FIGS. 1-6.  
The broken-line disclosure is for illustrative purposes only and forms no part of the claimed design.

(Continued)

**1 Claim, 1 Drawing Sheet**



# US D507,631 S

## U.S. PATENT DOCUMENTS

4,693,400	A	9/1987	Frahm et al.
4,709,900	A	12/1987	Dyhr
4,941,598	A	7/1990	Lambelet, Jr. et al.
5,050,758	A	9/1991	Freeman et al.
5,076,322	A	12/1991	Choksi et al.
5,133,324	A	7/1992	Michiaki
5,197,638	A	3/1993	Wood
5,238,217	A	8/1993	Fell
5,241,985	A	9/1993	Faust et al.
5,245,991	A	9/1993	Kawaguchi
5,285,547	A	2/1994	Sebor
5,299,718	A	4/1994	Shwery
5,300,043	A *	4/1994	Devlin et al. .... 604/250
5,355,673	A	10/1994	Sterling et al.
5,409,035	A	4/1995	Scott et al.
5,472,123	A	12/1995	Jangaard
5,607,073	A	3/1997	Forrer
5,622,274	A	4/1997	Bright
5,634,491	A	6/1997	Benedict
5,653,251	A	8/1997	Handler
5,732,737	A	3/1998	Condon
5,826,621	A	10/1998	Jemmott
5,850,908	A	12/1998	Jasek
5,989,469	A	11/1999	Dirr
6,032,831	A	3/2000	Gardner et al.
6,050,444	A	4/2000	Sugg
6,070,767	A	6/2000	Gardner et al.
6,145,695	A	11/2000	Garrigues
6,145,707	A	11/2000	Baudin
6,148,860	A	11/2000	Sigler
6,247,619	B1	6/2001	Gill et al.
6,264,166	B1 *	7/2001	Bowland et al. .... 251/144
6,290,090	B1	9/2001	Essebaggers
6,299,027	B1 *	10/2001	Berge et al. .... 222/153.14
6,305,570	B1	10/2001	Atkin et al.
6,364,168	B1	4/2002	Gardner et al.
6,550,493	B2	4/2003	Williamson et al.
6,554,023	B2	4/2003	Danby et al.

6,684,903	B2 *	2/2004	Williamson et al. .... 137/494
6,742,680	B2 *	6/2004	Friedman ..... 225/509

## FOREIGN PATENT DOCUMENTS

DE	87 01 155	U1	4/1987
DE	G 87 01 155		5/1987
DE	200 16 799	U 1	2/2002
DE	200 16 799	U1	3/2002
EP	01 016626		1/1989
EP	0 835 149	B1	5/2000
EP	1 281 897	A1	7/2002
FR	1024522		4/1953
FR	1145605		10/1957
FR	11145605		10/1957
FR	2 664 812		1/1992
FR	2 664 812	A1	1/1992
JP	55-107690		8/1980
WO	WO 88/02339	A1	4/1988
WO	WO 91/06335	A1	5/1991
WO	WO 93/16928	A1	9/1993
WO	WO 94/06514	A1	3/1994
WO	WO 94/122	A1	6/1994
WO	WO 95/23742	A1	9/1995
WO	WO 96/19253	A1	6/1996
WO	WO 97/27119	A1	7/1997
WO	WO 99/12597	A1	3/1999
WO	WO 99/38423	A1	8/1999
WO	WO 99/62787	A1	12/1999
WO	WO 00/01435	A1	1/2000
WO	WO 00/29192	A2	5/2000
WO	WO 00/29192	A3	5/2000
WO	WO 00/37327	A1	6/2000
WO	WO 00/53248	A1	9/2000
WO	WO 01/00263	A2	1/2001
WO	WO 01/92133	A3	12/2001
WO	WO 01/92133	A2	12/2001
WO	WO 02/100320	A1	12/2002

\* cited by examiner

FIG. 1

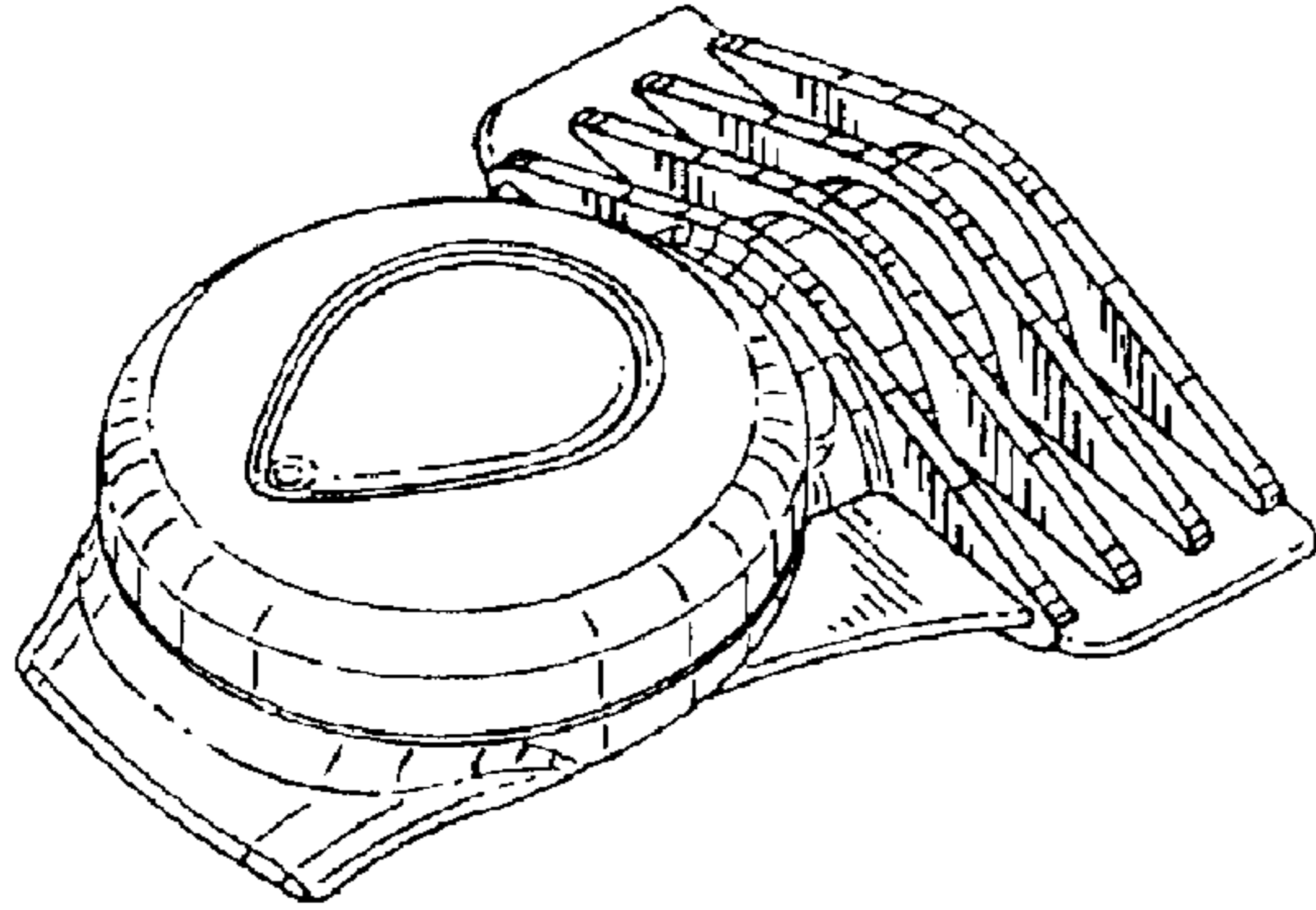


FIG. 7

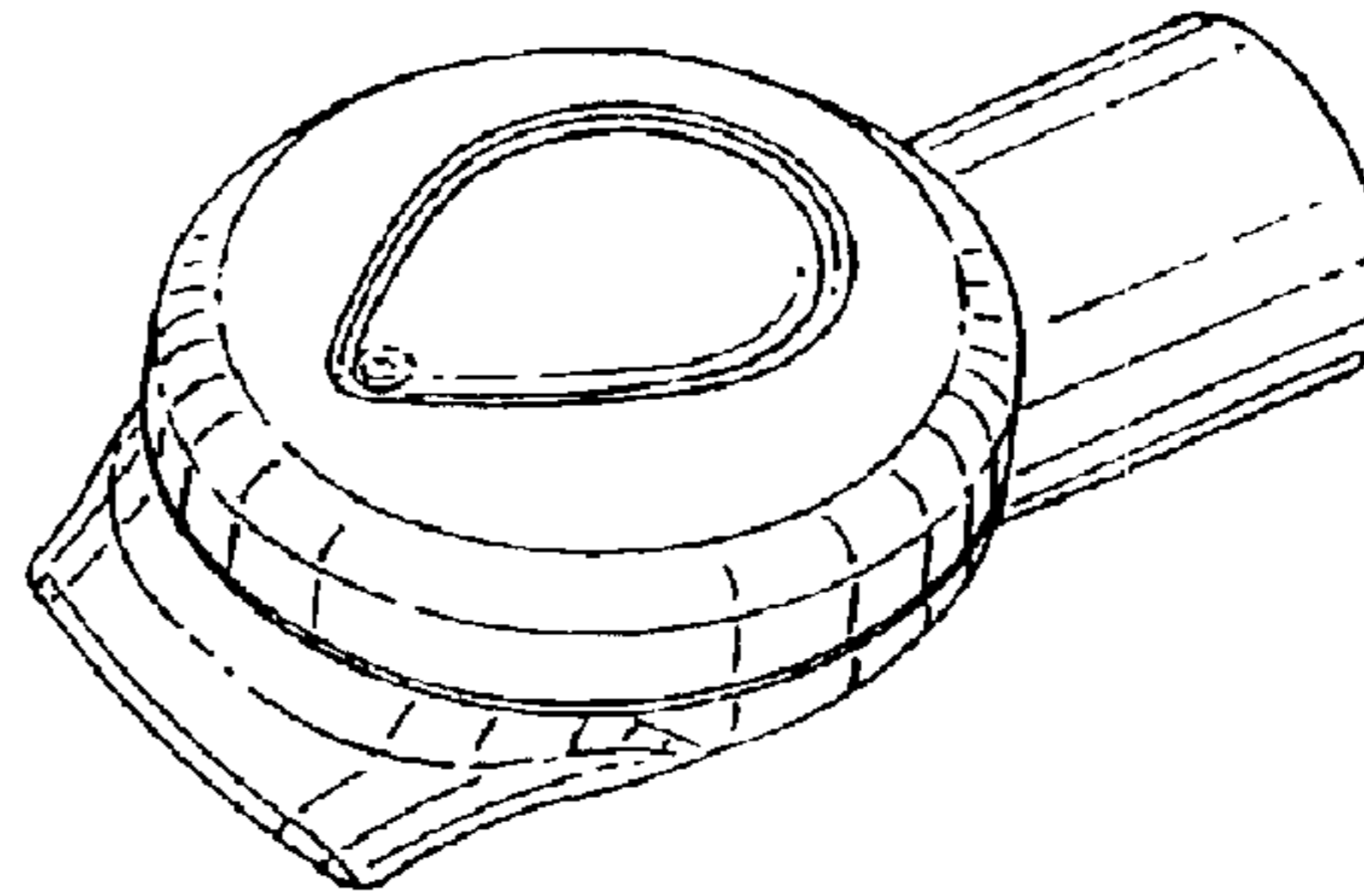


FIG. 2

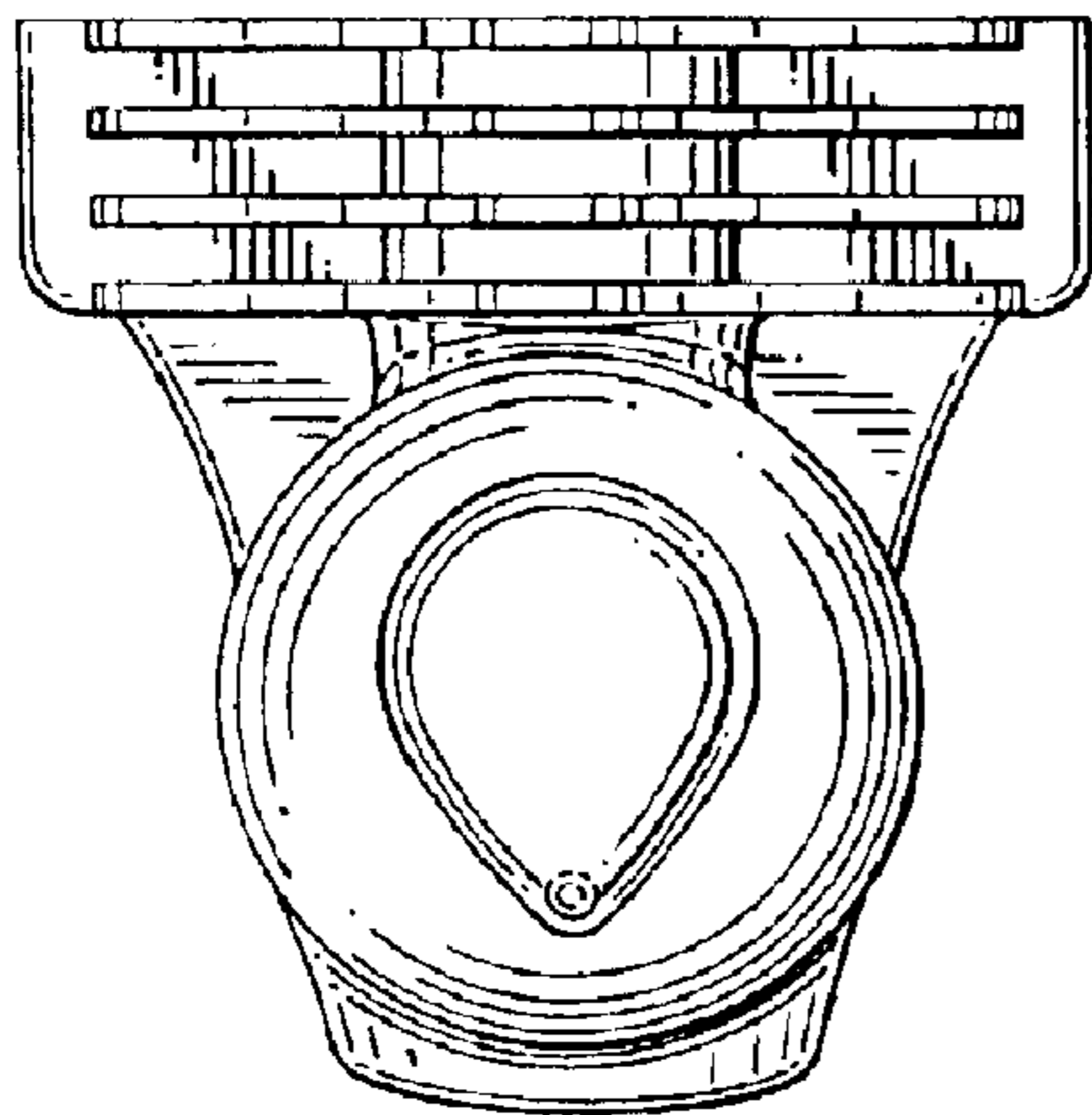


FIG. 3

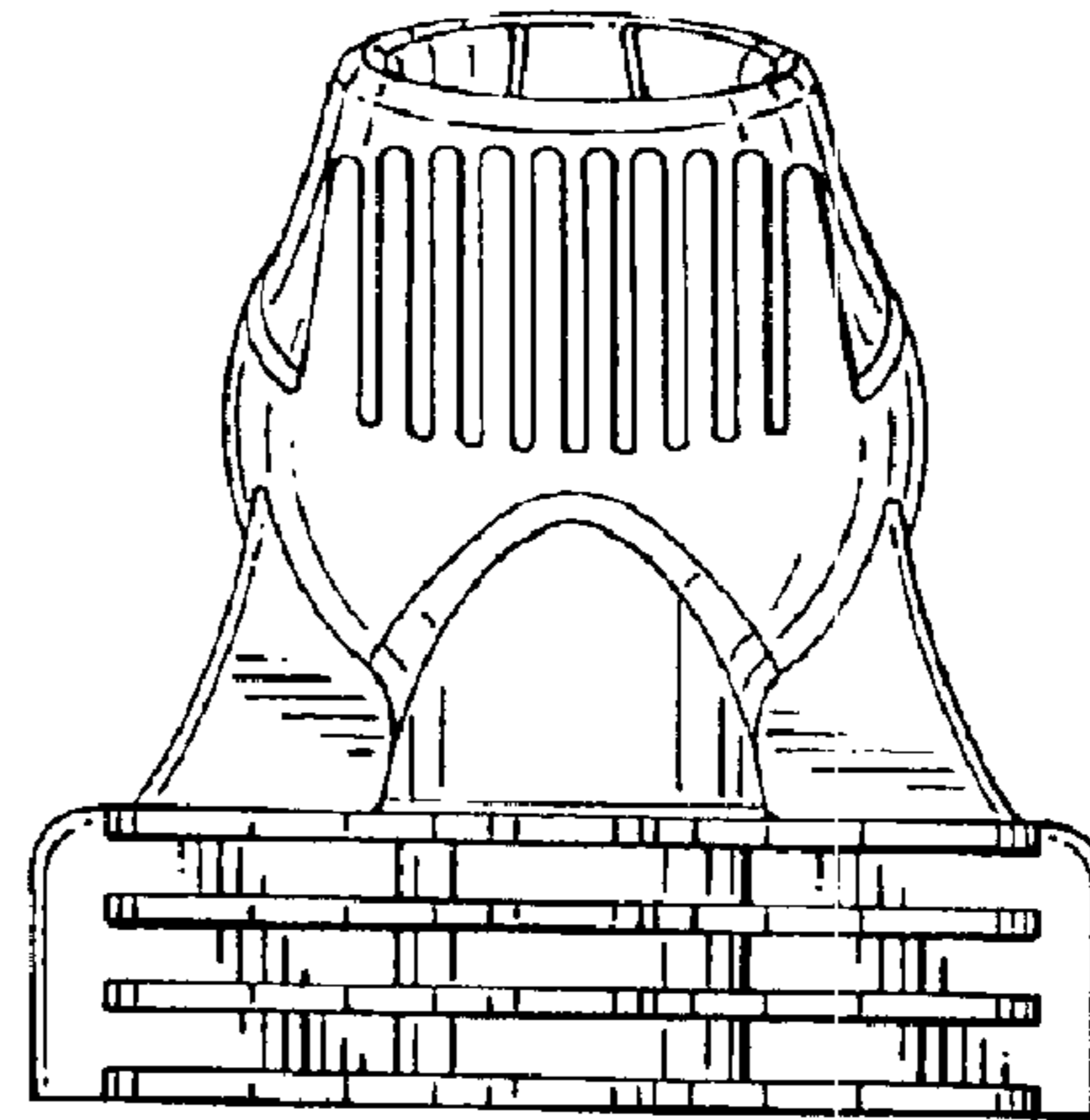


FIG. 4

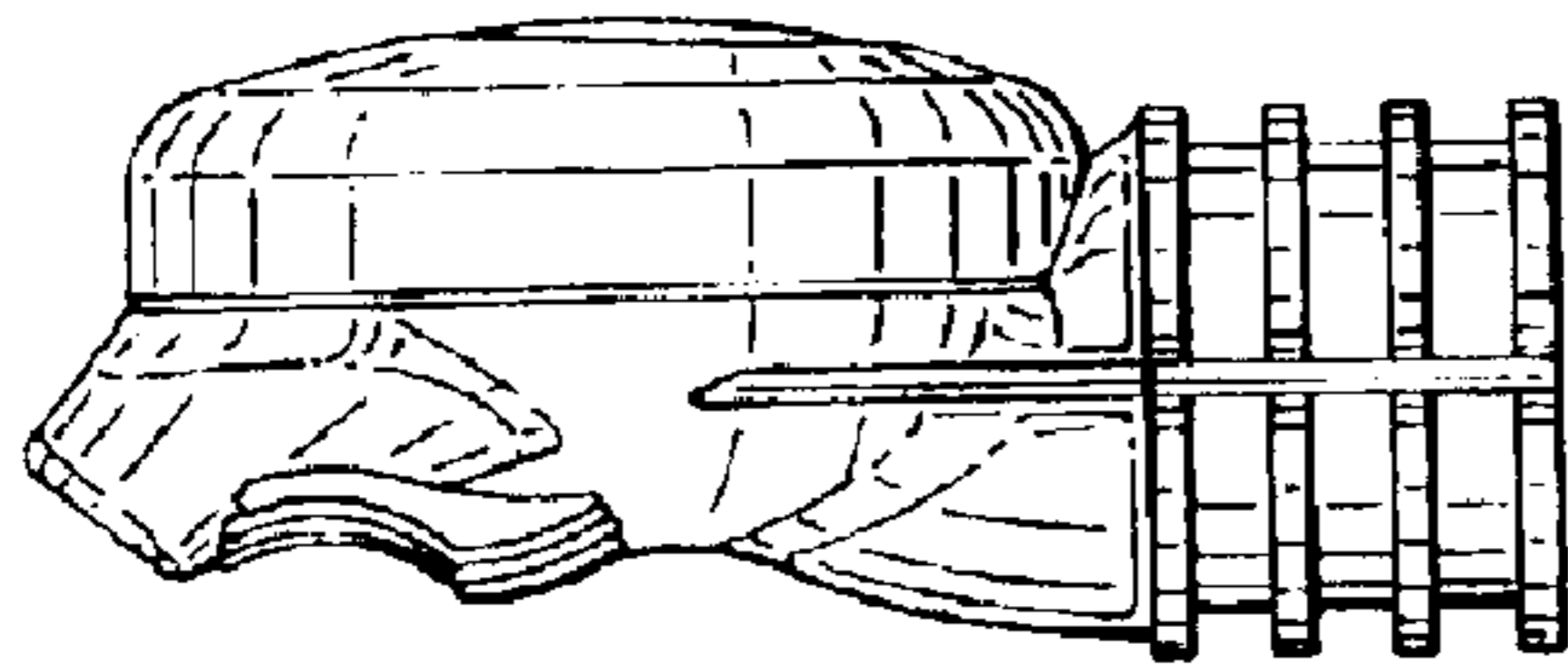


FIG. 5

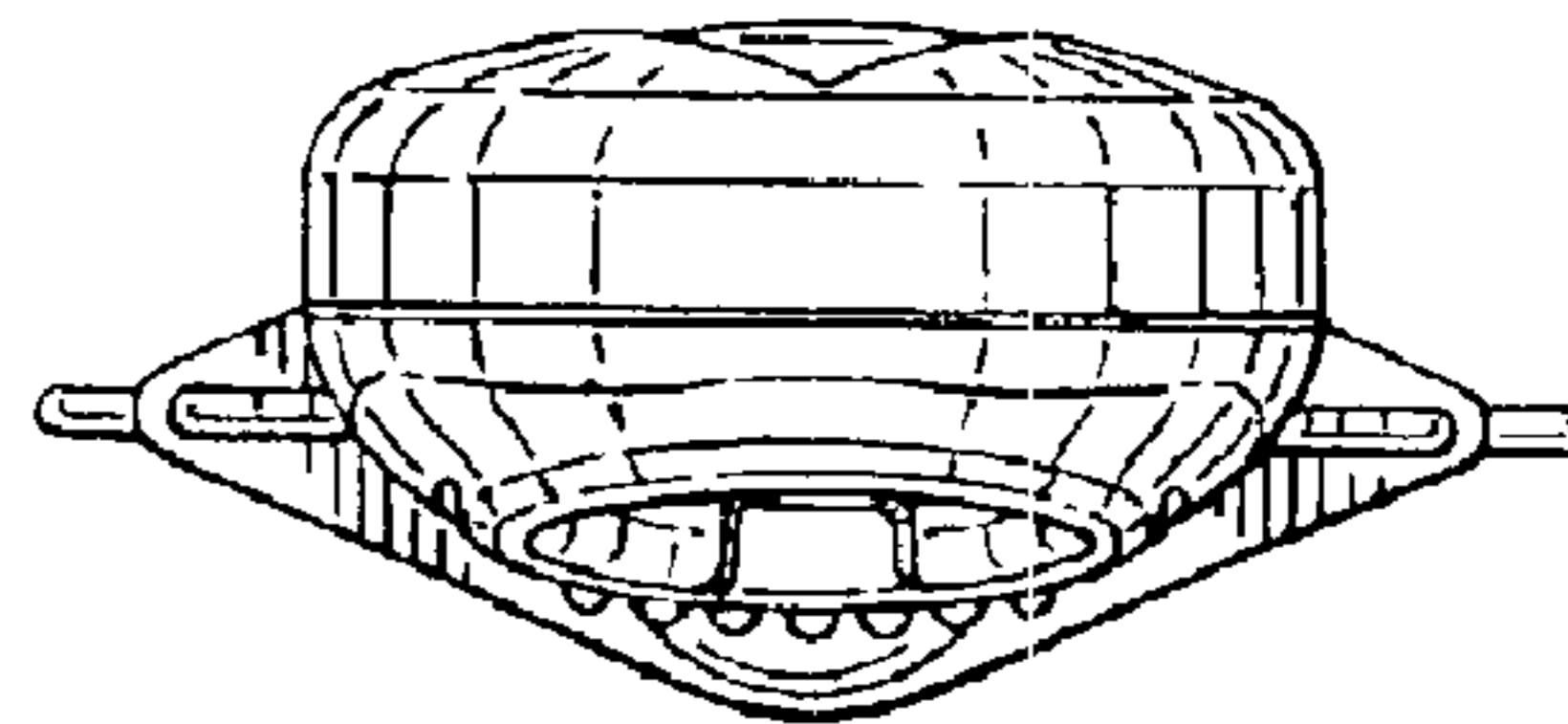


FIG. 6

