

US00D507621S

(12) **United States Design Patent**
Beech

(10) **Patent No.:** **US D507,621 S**

(45) **Date of Patent:** **** Jul. 19, 2005**

(54) **FLOATING BAIT CONTAINER**

(76) **Inventor:** **Joseph C. Beech**, 1281 330th Ave.,
Tracy, MN (US) 56175-3015

(**) **Term:** **14 Years**

(21) **Appl. No.:** **29/215,292**

(22) **Filed:** **Oct. 15, 2004**

Related U.S. Application Data

(63) Continuation of application No. 10/301,772, filed on Nov. 21, 2002.

(51) **LOC (8) Cl.** **22-05**

(52) **U.S. Cl.** **D22/136**

(58) **Field of Search** D22/136, 134,
D22/149, 199; 43/55, 54.1, 57, 100, 102;
D3/260; 206/315.11

(56) **References Cited**

U.S. PATENT DOCUMENTS

4,261,131	A	*	4/1981	Poffenberger	43/57
4,890,413	A	*	1/1990	Nelson et al.	43/55
D323,698	S	*	2/1992	Nelson et al.	D22/136
D462,737	S	*	9/2002	Lipari	D22/136
D499,164	S	*	11/2004	Lillard et al.	D22/136

* cited by examiner

Primary Examiner—Catherine R. Oliver

(74) *Attorney, Agent, or Firm*—Kinney & Lange, P.A.

(57) **CLAIM**

The ornamental design for a floating bait container, as shown.

DESCRIPTION

FIG. 1 is a perspective view of a first embodiment;

FIG. 2 is a front elevational view;

FIG. 3 is a rear elevational view;

FIG. 4 is a top plan view;

FIG. 5 is a bottom plan view;

FIG. 6 is a perspective view of a second embodiment with portions shown in phantom;

FIG. 7 is a front elevational view of a second embodiment with portions shown in phantom;

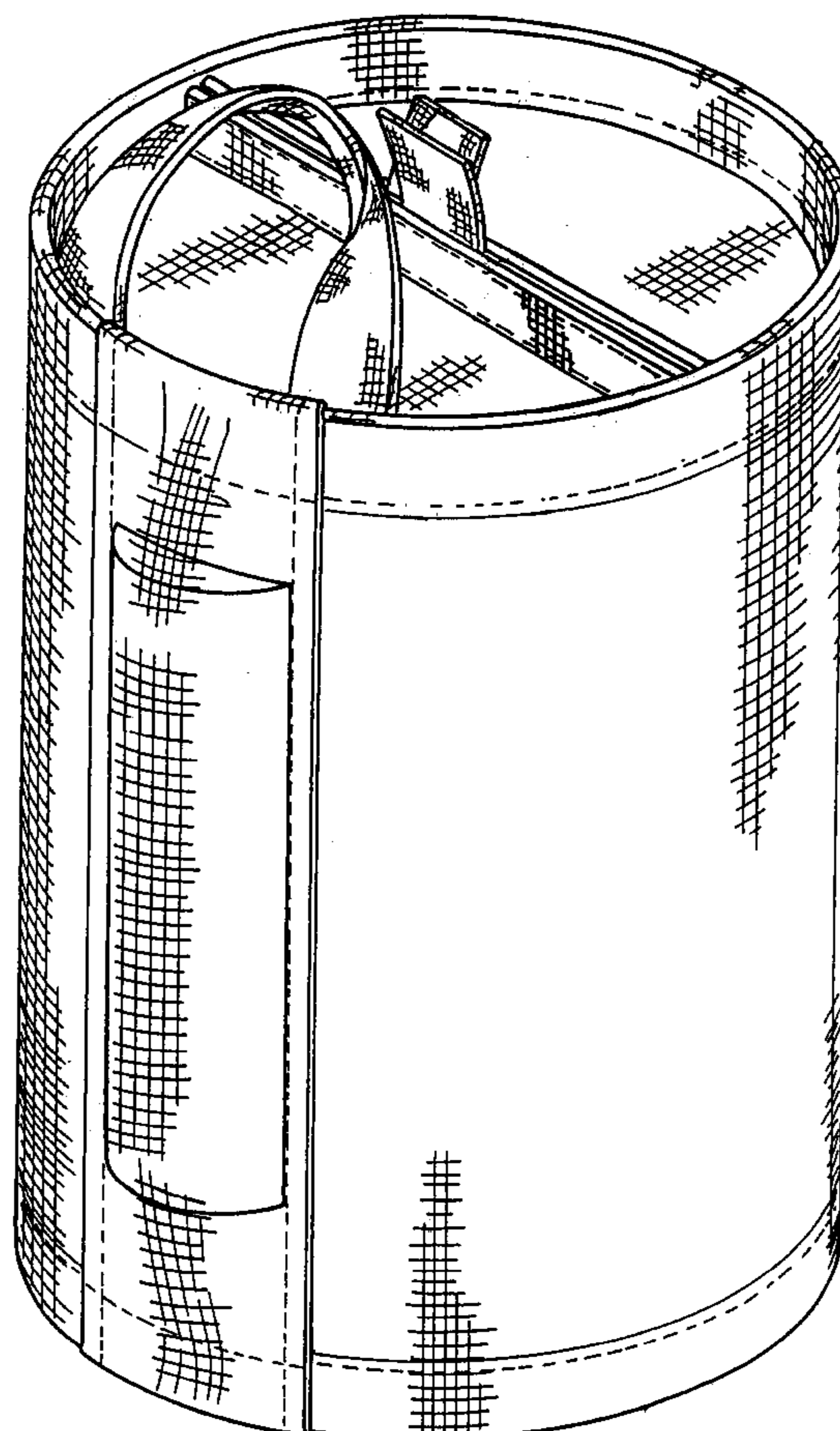
FIG. 8 is a rear elevational view of a second embodiment with portions shown in phantom;

FIG. 9 is a top plan view of a second embodiment with portions shown in phantom; and,

FIG. 10 is a bottom plan view of a second embodiment with portions shown in phantom.

The broken line showing of environment is for illustrative purposes only and forms no part of the claimed design.

1 Claim, 8 Drawing Sheets



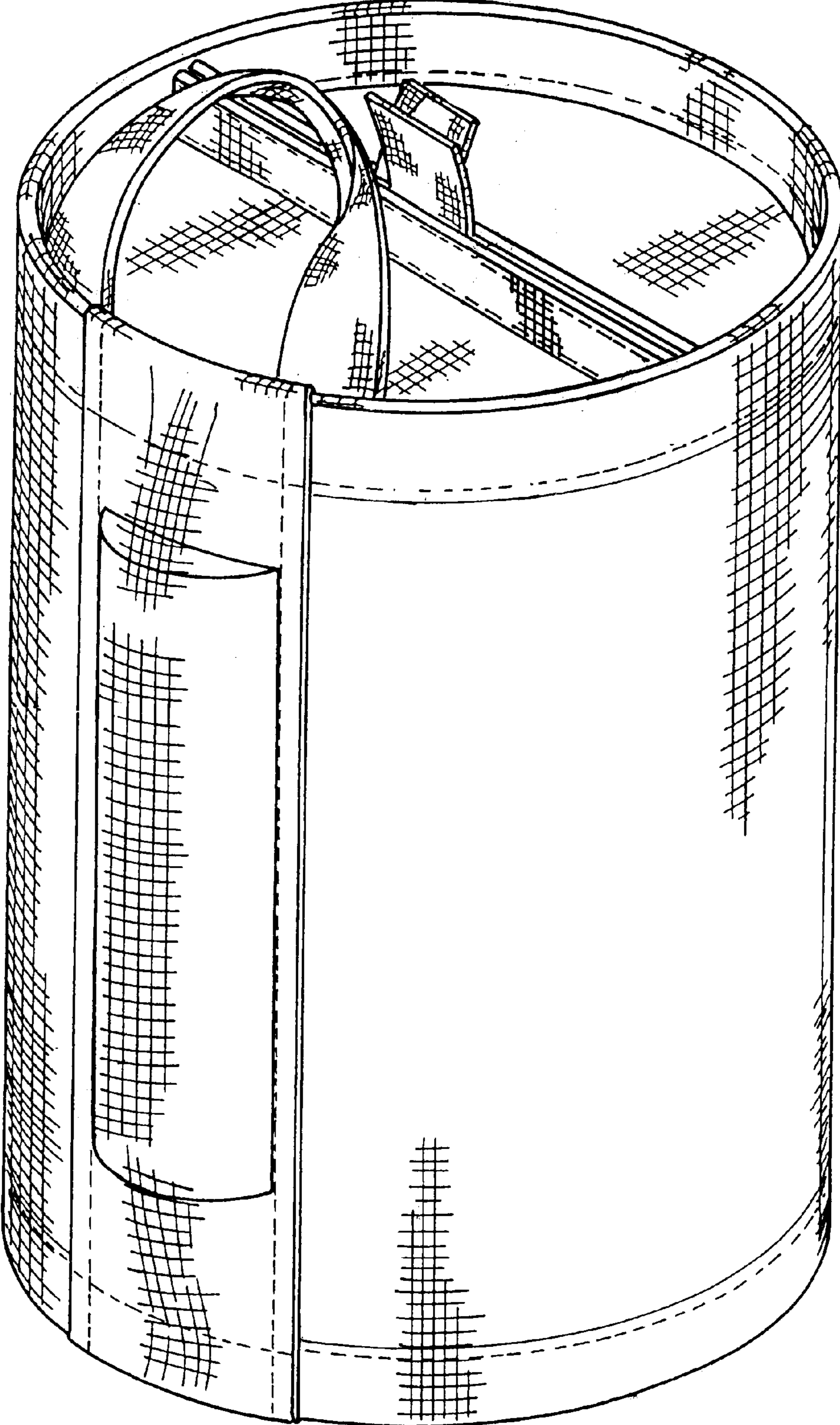


FIG. 1

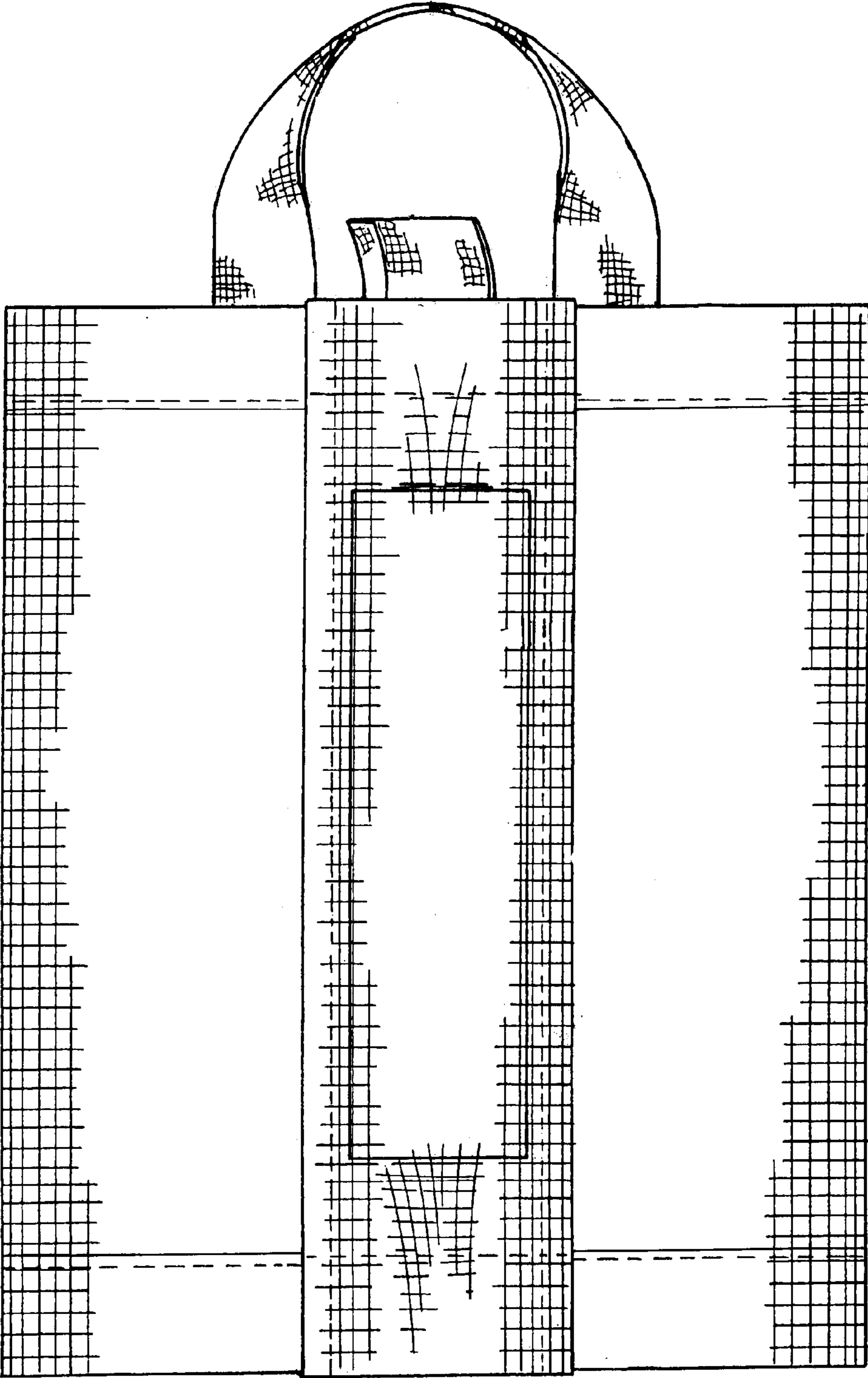


FIG. 2

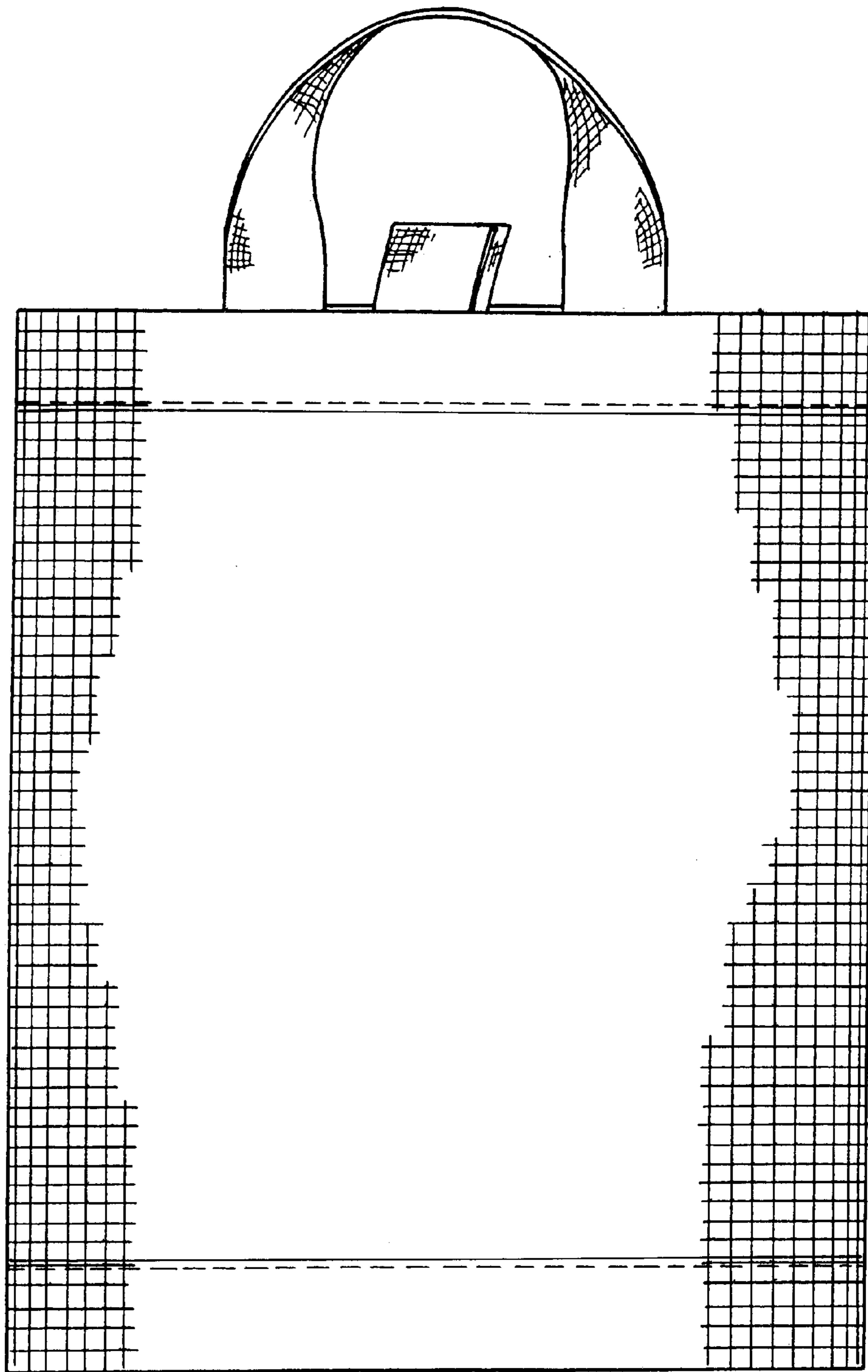


FIG. 3

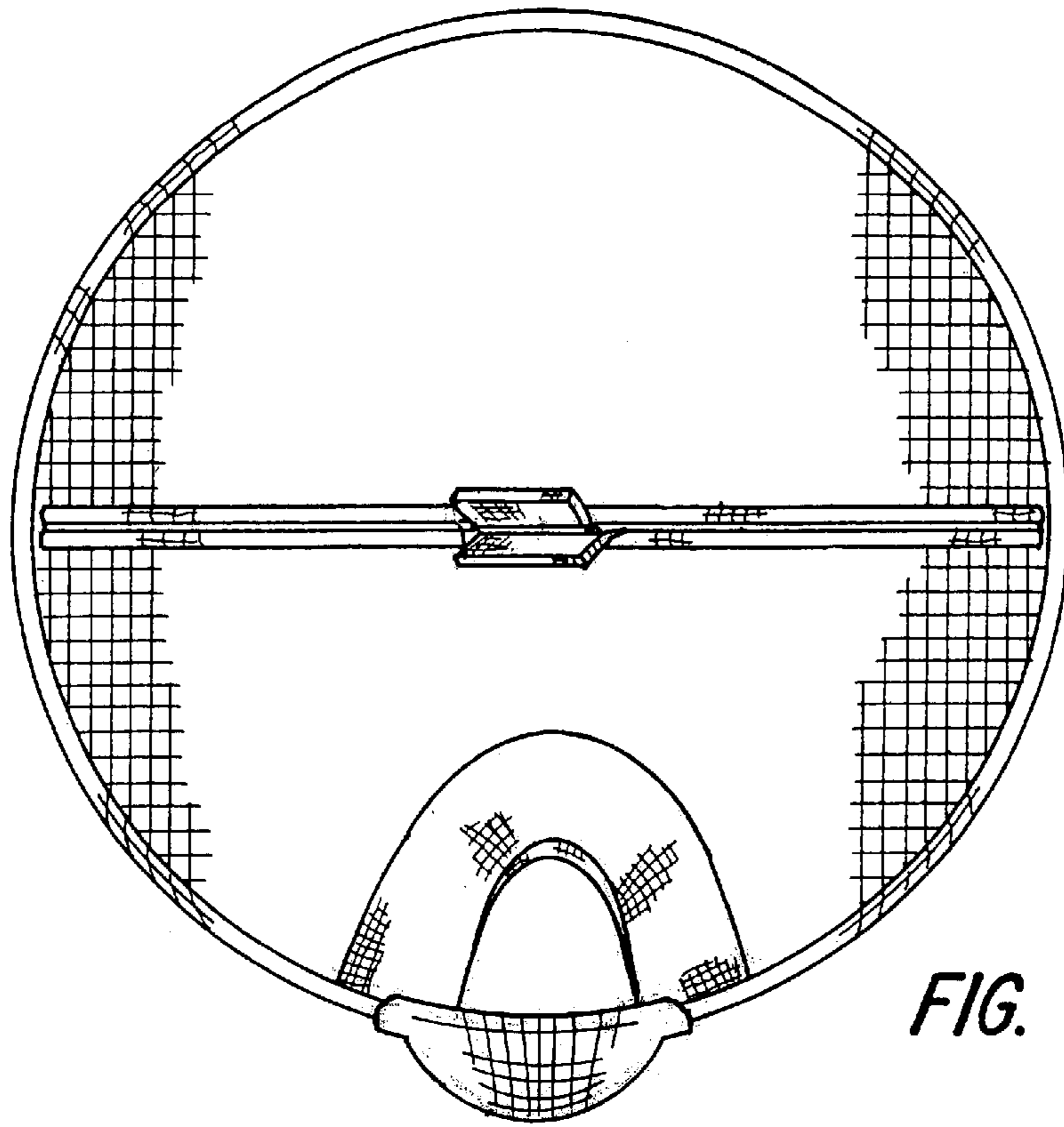


FIG. 4

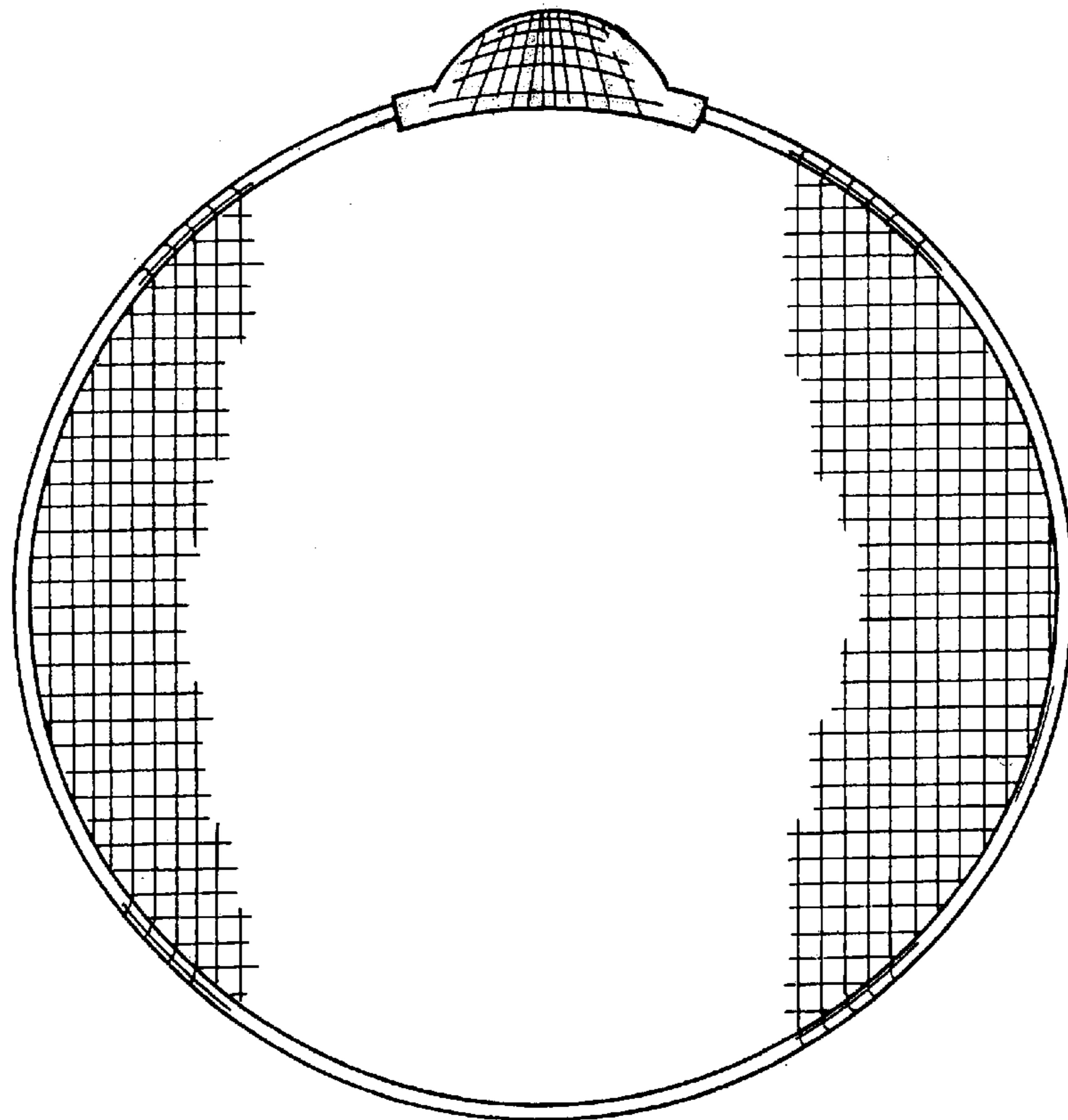


FIG. 5

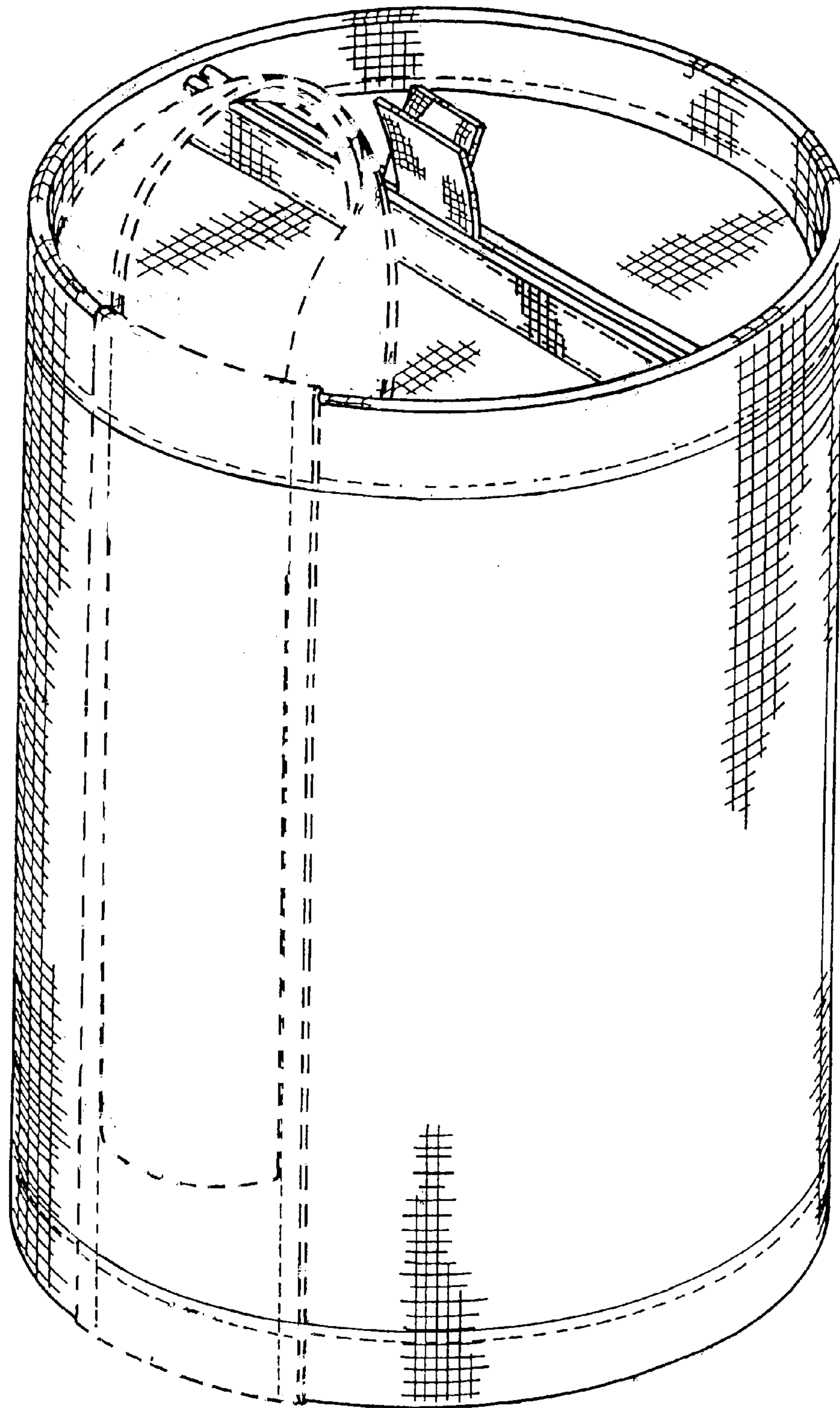


FIG. 6

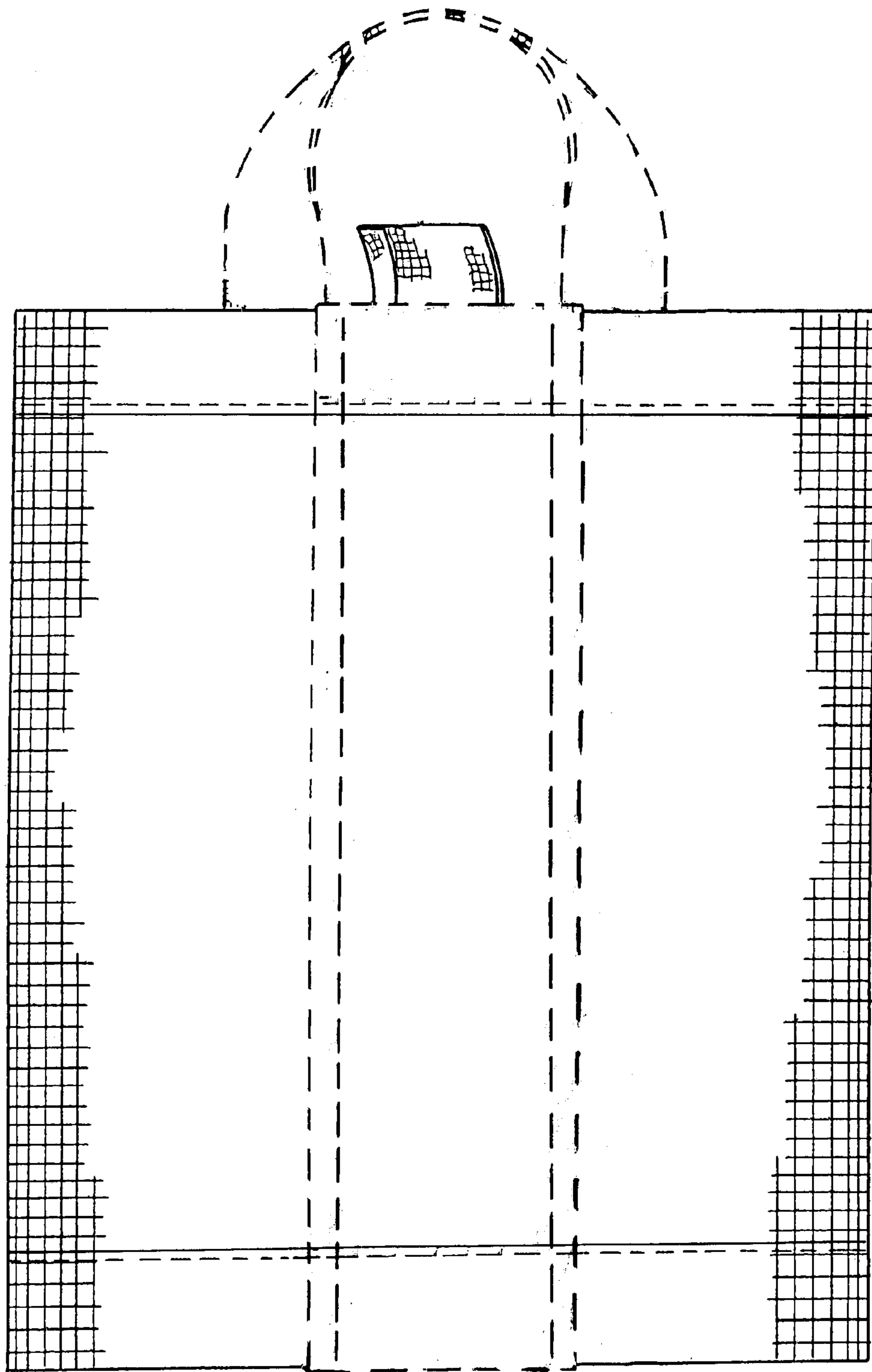


FIG. 7

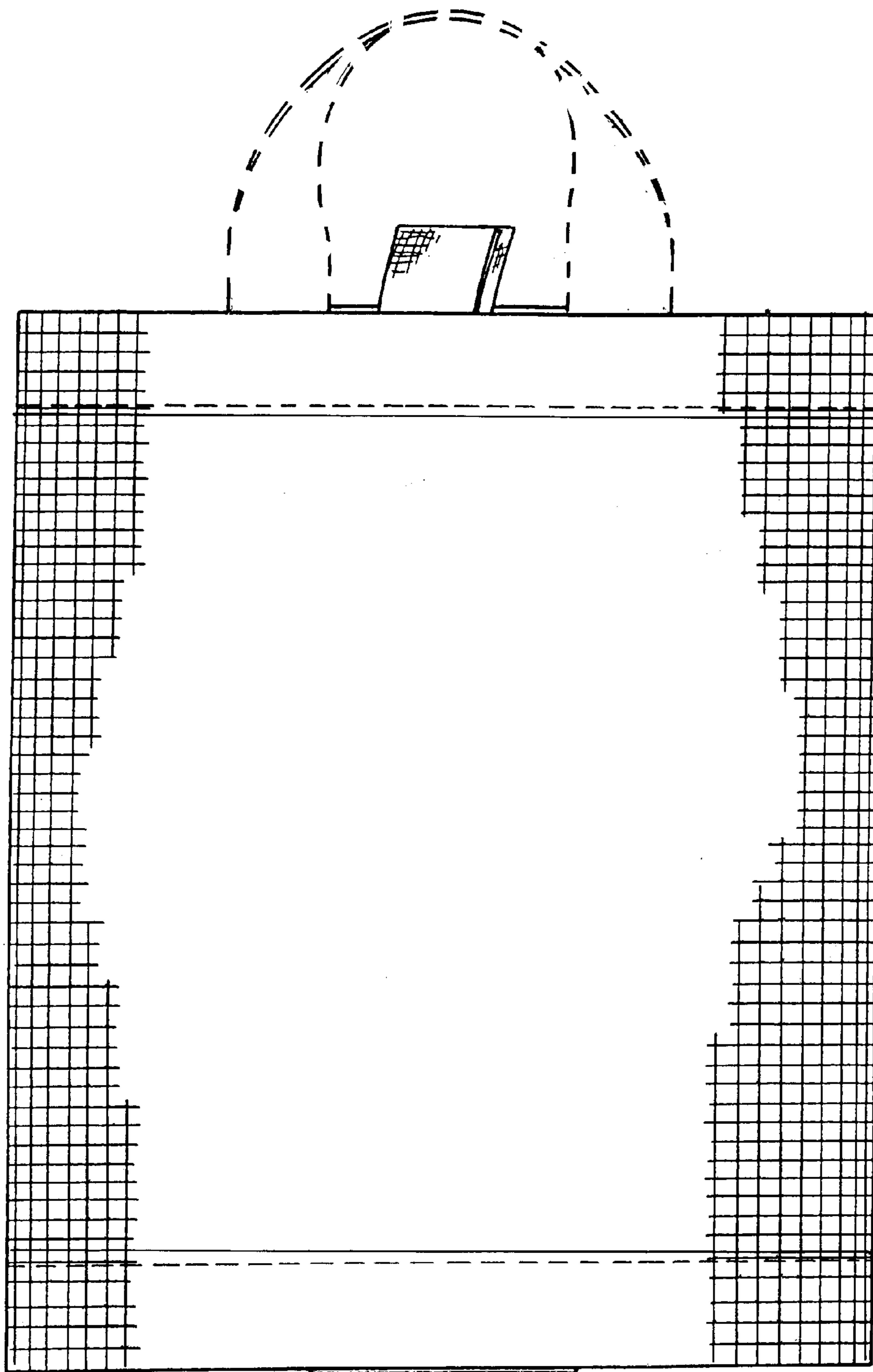


FIG. 8

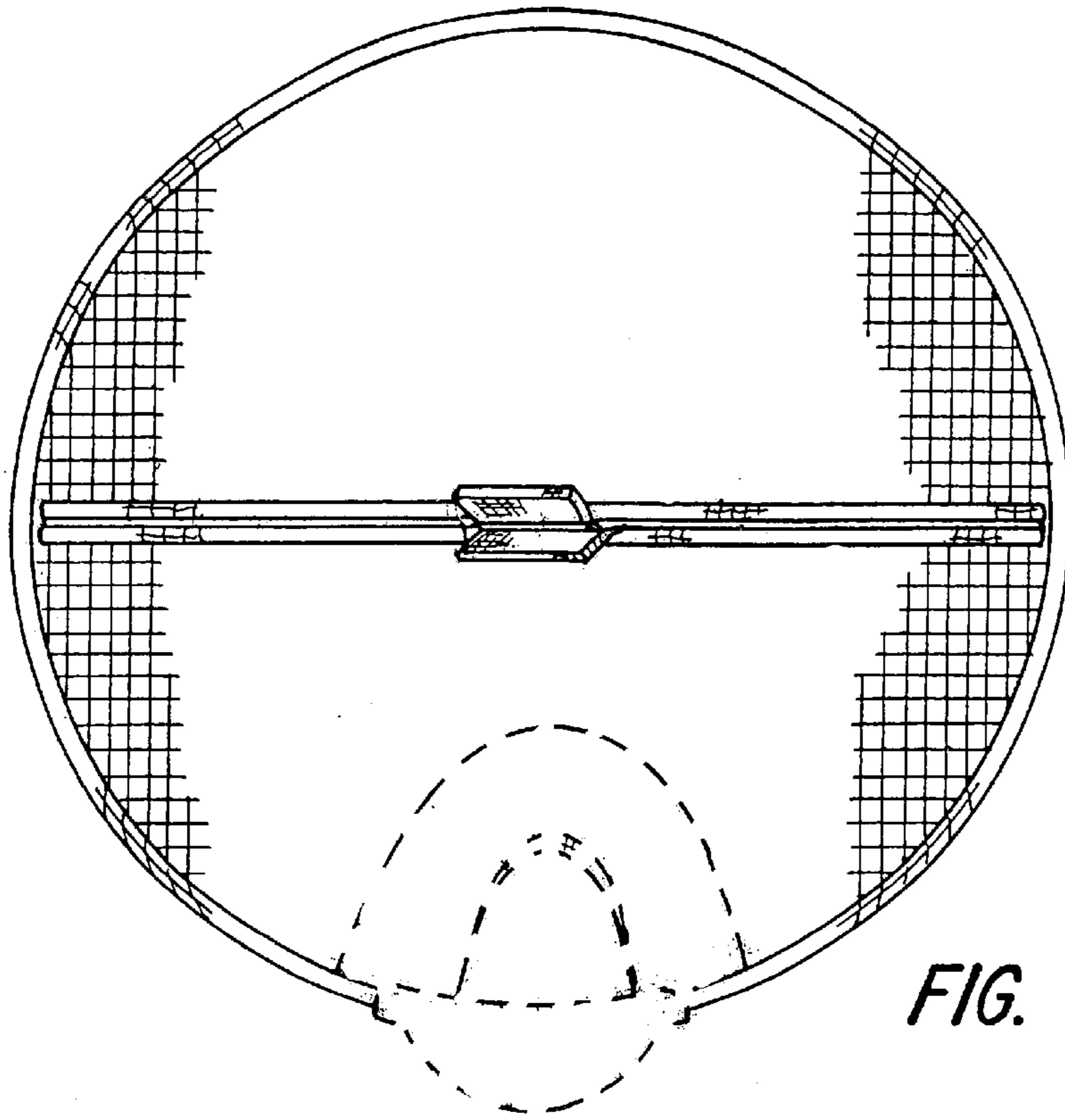


FIG. 9

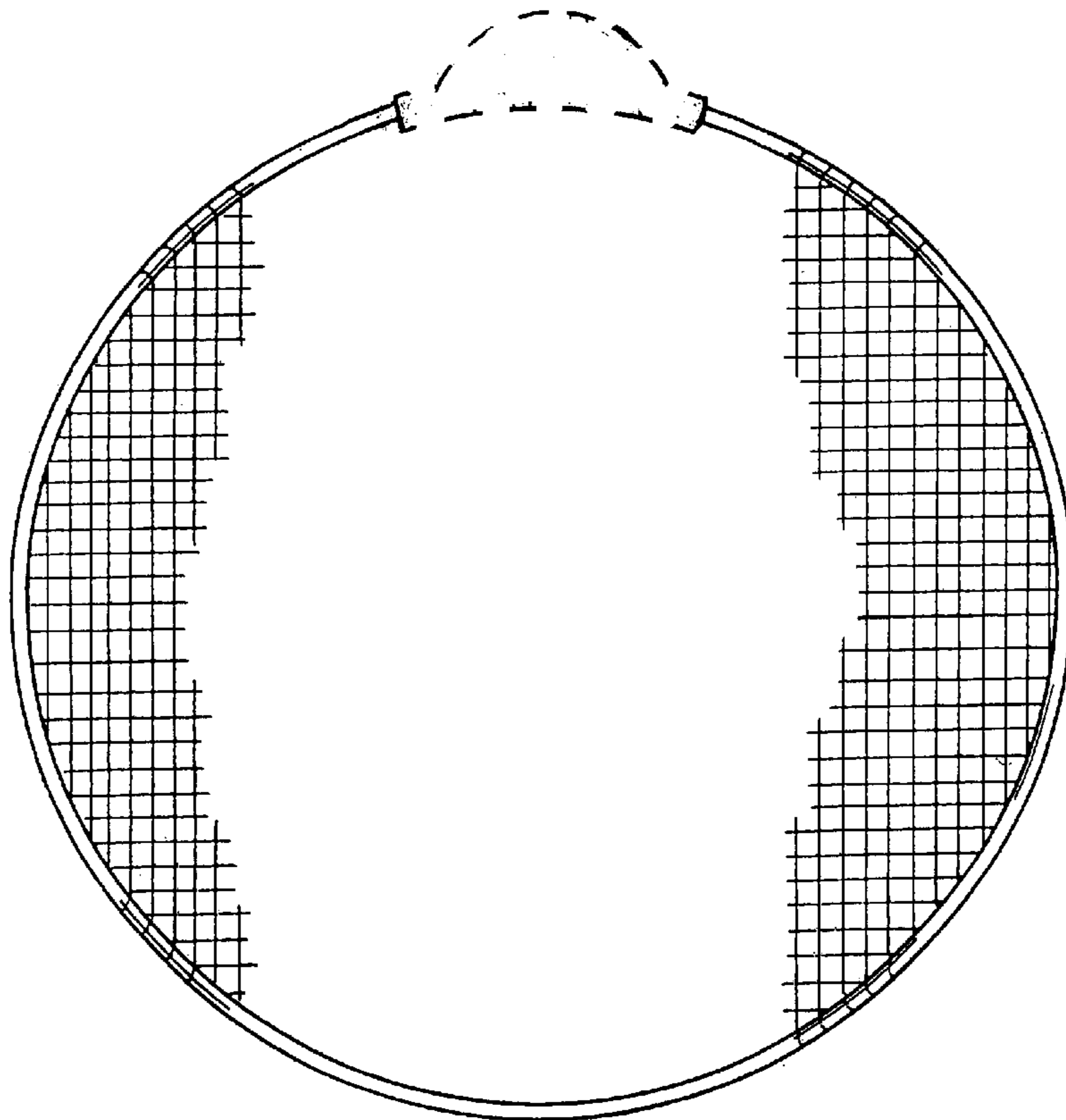


FIG. 10