

US00D507608S

(12) **United States Design Patent**
Chen

(10) **Patent No.:** **US D507,608 S**
(45) **Date of Patent:** **** Jul. 19, 2005**

(54) **AIR CUSHION FOR EXERCISING**

(76) **Inventor:** **Wen-Hsing Chen**, No. 4, Chang An Lane, Wah Tsuoh Village, Shi Jou Hsiang, Changhua Hsien, Taiwan (TW)

(**) **Term:** **14 Years**

(21) **Appl. No.:** **29/201,056**

(22) **Filed:** **Mar. 10, 2004**

(51) **LOC (8) Cl.** **21-02**

(52) **U.S. Cl.** **D21/662; D21/671; D21/686**

(58) **Field of Search** **D21/671, 662, D21/686, 688, 689, 690; 482/79, 51, 146, 142, 91, 121, 122, 123, 126, 127; 473/52; 472/116, 134; 446/220**

(56) **References Cited**

U.S. PATENT DOCUMENTS

5,810,700	A	*	9/1998	Orcutt	482/123
5,833,587	A	*	11/1998	Strong et al.	482/123
6,422,983	B1	*	7/2002	Weck	482/147
6,461,284	B1	*	10/2002	Francavilla	482/142
6,461,285	B1	*	10/2002	Theunissen et al.	482/146
6,520,578	B1	*	2/2003	Jospa et al.	297/217.1

D471,025	S	*	3/2003	Chiu	D6/366
6,575,885	B1	*	6/2003	Weck et al.	482/147
6,702,726	B2	*	3/2004	Lin	482/148
6,719,676	B1	*	4/2004	Hsu	482/121
6,740,008	B1	*	5/2004	Ho et al.	482/34
6,746,372	B2	*	6/2004	Hsu	482/34

* cited by examiner

Primary Examiner—Philip S. Hyder

(74) *Attorney, Agent, or Firm*—Rosenberg, Klein & Lee

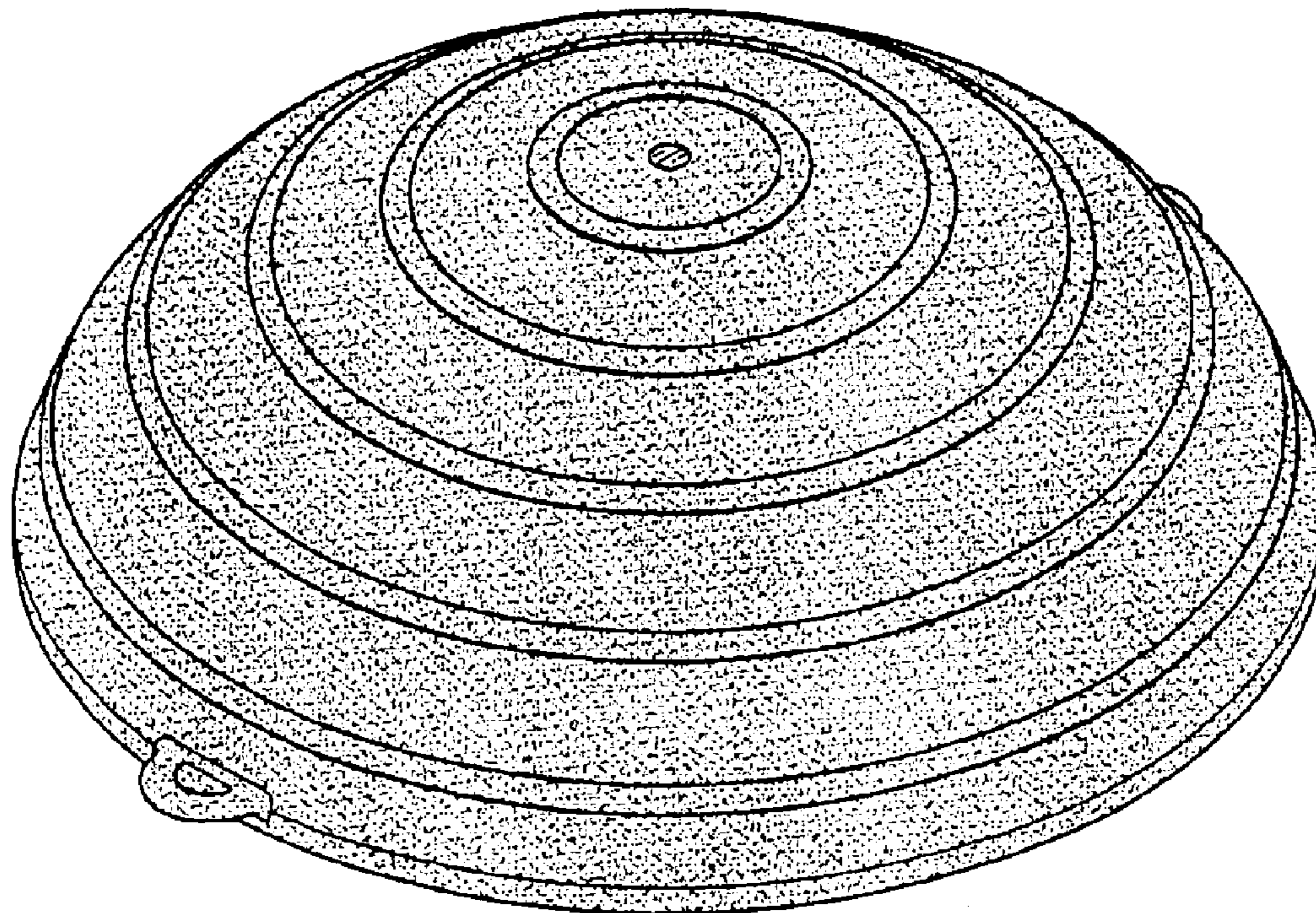
(57) **CLAIM**

The ornamental design for an air cushion for exercising, as shown.

DESCRIPTION

FIG. 1 is a perspective view of an air cushion for exercising, showing my new design;
FIG. 2 is a front elevational view thereof;
FIG. 3 is a rear elevational view thereof;
FIG. 4 is a left side elevational view thereof;
FIG. 5 is a right side elevational view thereof;
FIG. 6 is a top plan view thereof; and,
FIG. 7 is a bottom plan view thereof.

1 Claim, 4 Drawing Sheets



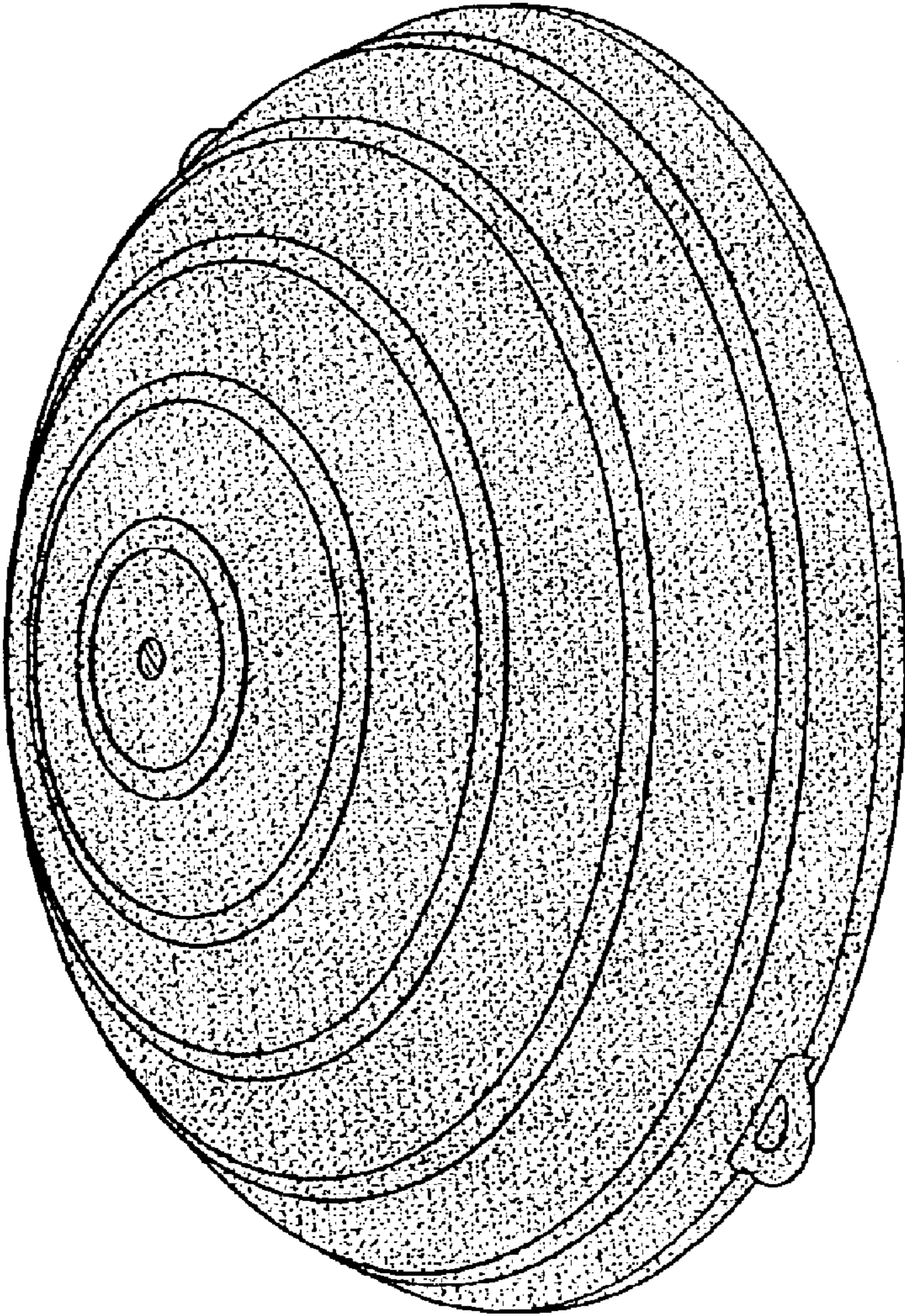


FIG.1

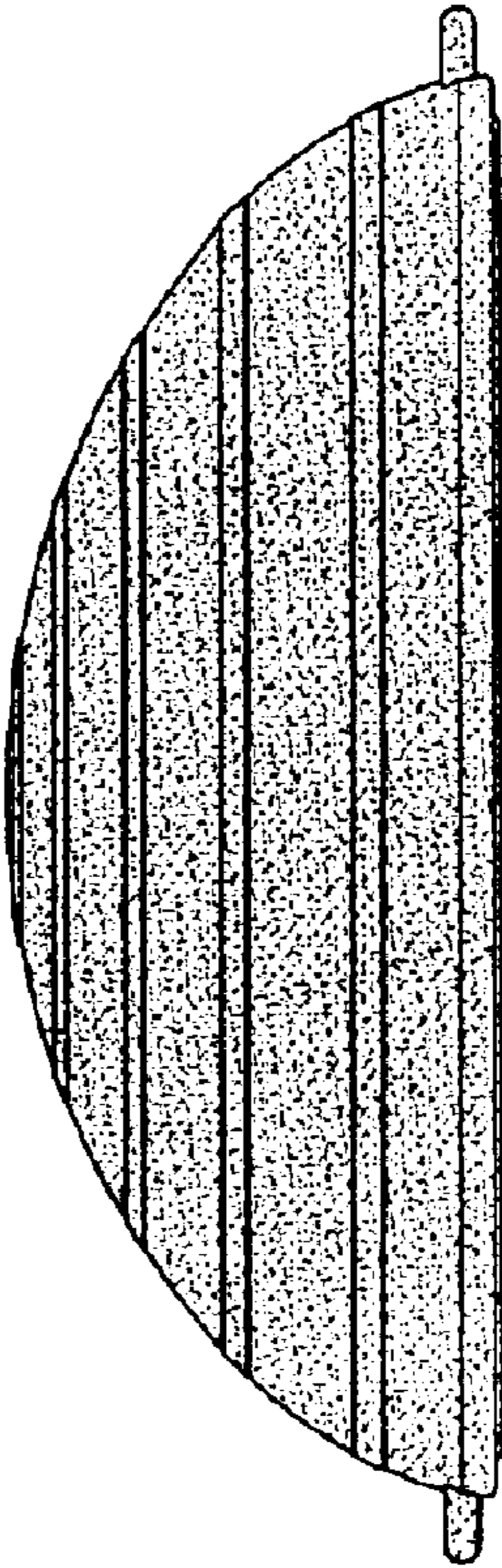


FIG. 2

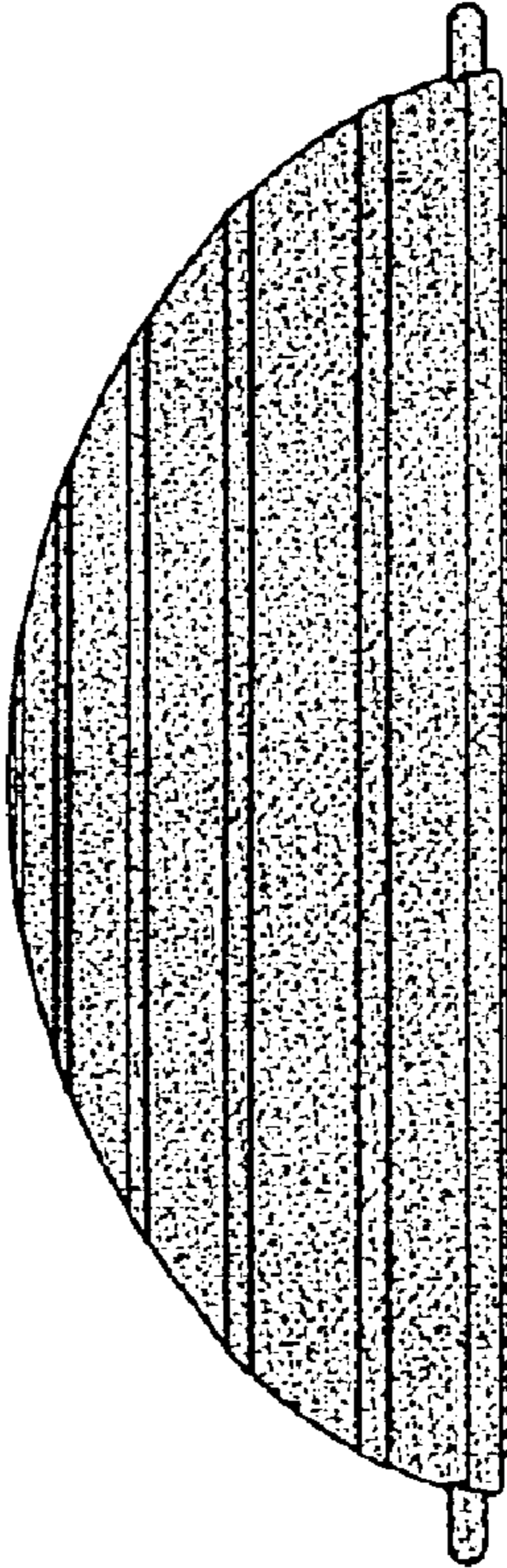


FIG. 3

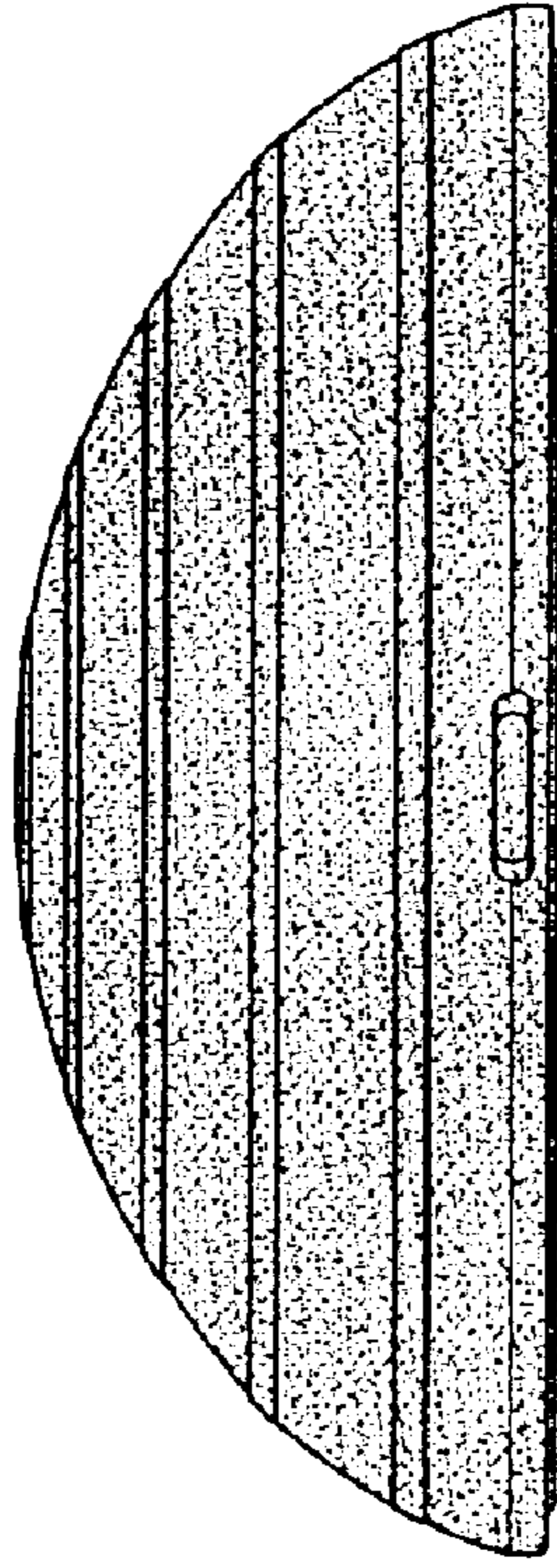


FIG. 5

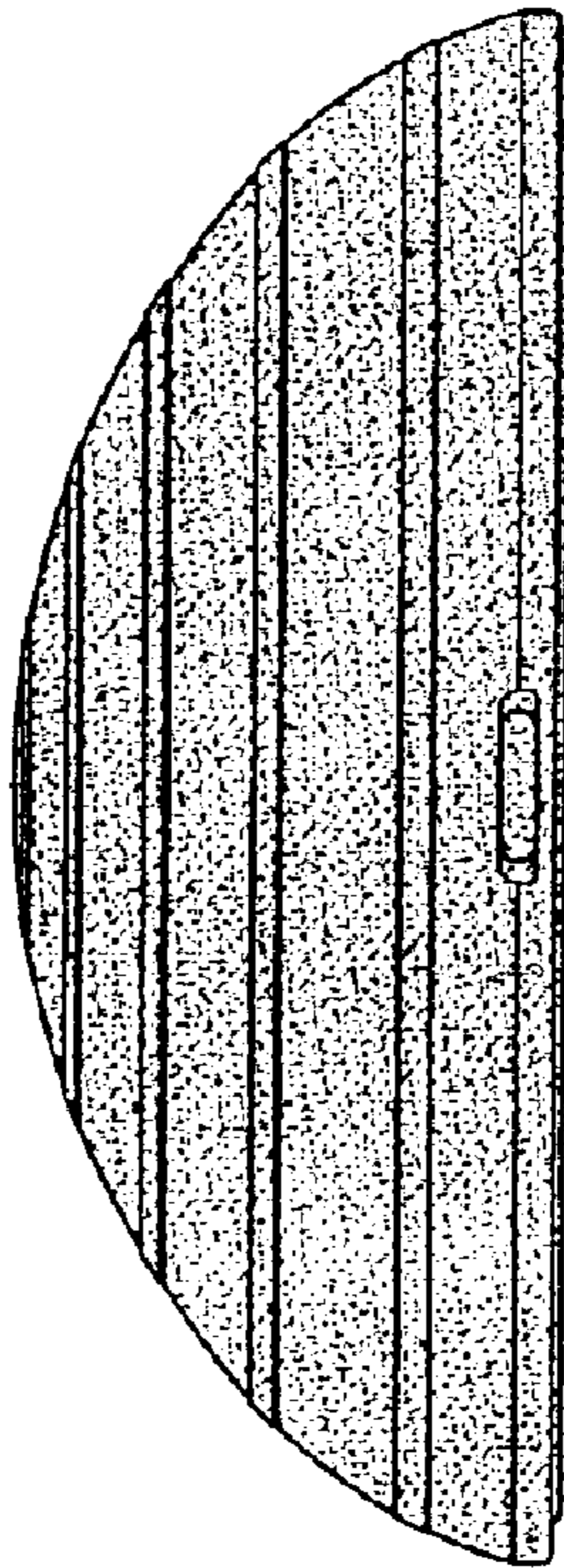


FIG. 4

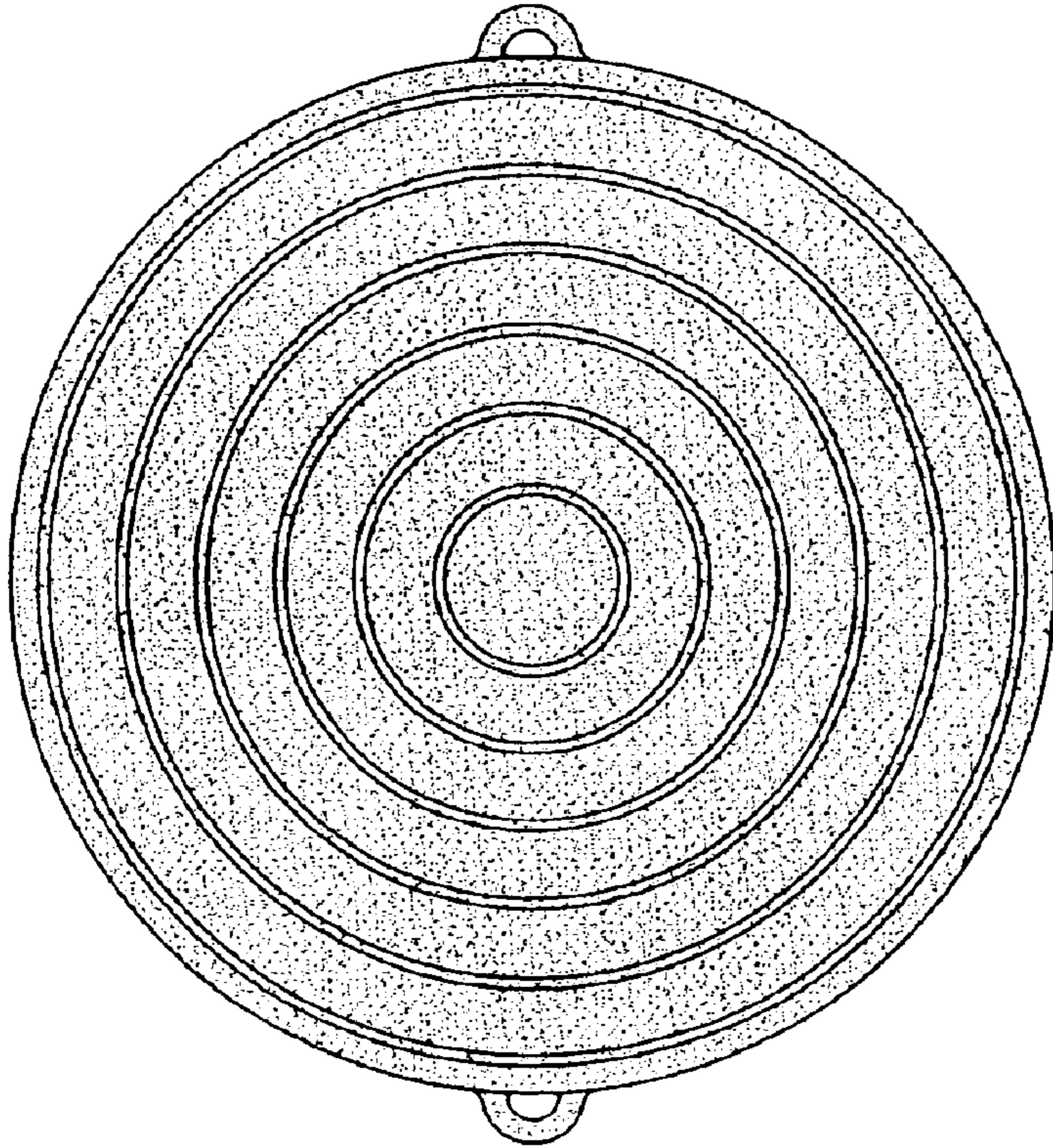


FIG. 7

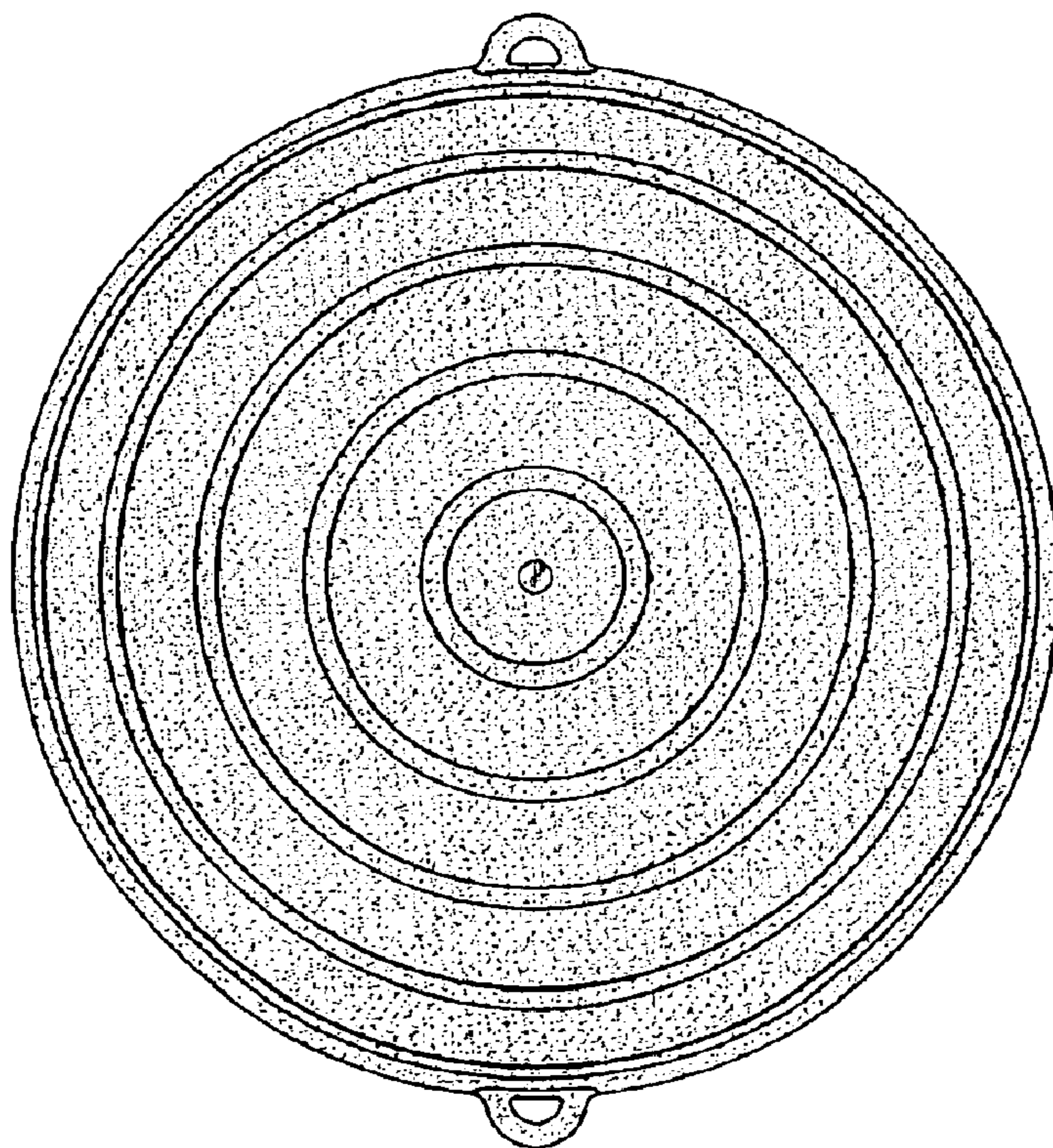


FIG. 6