

US00D507597S

(12) **United States Design Patent**  
**Kobayashi et al.**

(10) **Patent No.:** **US D507,597 S**  
(45) **Date of Patent:** **\*\* Jul. 19, 2005**

(54) **TONER CARTRIDGE**

(75) Inventors: **Sakiko Kobayashi**, Nagoya (JP);  
**Fumio Morita**, Nagoya (JP);  
**Shigeharu Katayama**, Nagoya (JP);  
**Tsutomu Suzuki**, Nagoya (JP)

(73) Assignee: **Brother Industries, Ltd.**, Nagoya (JP)

(\*\*) Term: **14 Years**

(21) Appl. No.: **29/197,046**

(22) Filed: **Jan. 8, 2004**

(30) **Foreign Application Priority Data**

Jul. 9, 2003 (JP) ..... 2003-19897

(51) **LOC (8) Cl.** ..... **16-03**

(52) **U.S. Cl.** ..... **D18/43**

(58) **Field of Search** ..... D18/40, 43, 56;  
222/DIG. 1; 399/24-30, 110-125, 252-262

(56) **References Cited**

**U.S. PATENT DOCUMENTS**

D319,842 S \* 9/1991 Tanda ..... D18/43  
D366,275 S \* 1/1996 Komaki ..... D18/43  
D415,191 S \* 10/1999 Okada ..... D18/43  
D422,304 S 4/2000 Suzuki et al.  
D442,216 S 5/2001 Kimura et al.

D458,959 S \* 6/2002 Tanda ..... D18/43  
D459,387 S \* 6/2002 Tanda ..... D18/43  
D460,980 S \* 7/2002 Matsuzaki et al. .... D18/40  
D464,671 S \* 10/2002 Tanda ..... D18/43  
D471,228 S 3/2003 Okabe et al.

\* cited by examiner

*Primary Examiner*—Caron D. Veynar

(74) *Attorney, Agent, or Firm*—Oliff & Berridge, PLC

(57) **CLAIM**

The ornamental design for a toner cartridge, as shown and described.

**DESCRIPTION**

FIG. 1 is a Front Elevation View of a toner cartridge of the present invention;

FIG. 2 is a Top Plan View thereof;

FIG. 3 is a Right Side View thereof;

FIG. 4 is a Left Side View thereof;

FIG. 5 is a Rear Elevation View thereof;

FIG. 6 is a Bottom Plan View thereof;

FIG. 7 is a top perspective view thereof;

FIG. 8 is a bottom perspective view thereof; and,

FIG. 9 is an enlarged cross section view taken along line 9—9 in FIG. 2.

The broken lines are for purposes of illustration only and form no part of the claimed design.

**1 Claim, 6 Drawing Sheets**

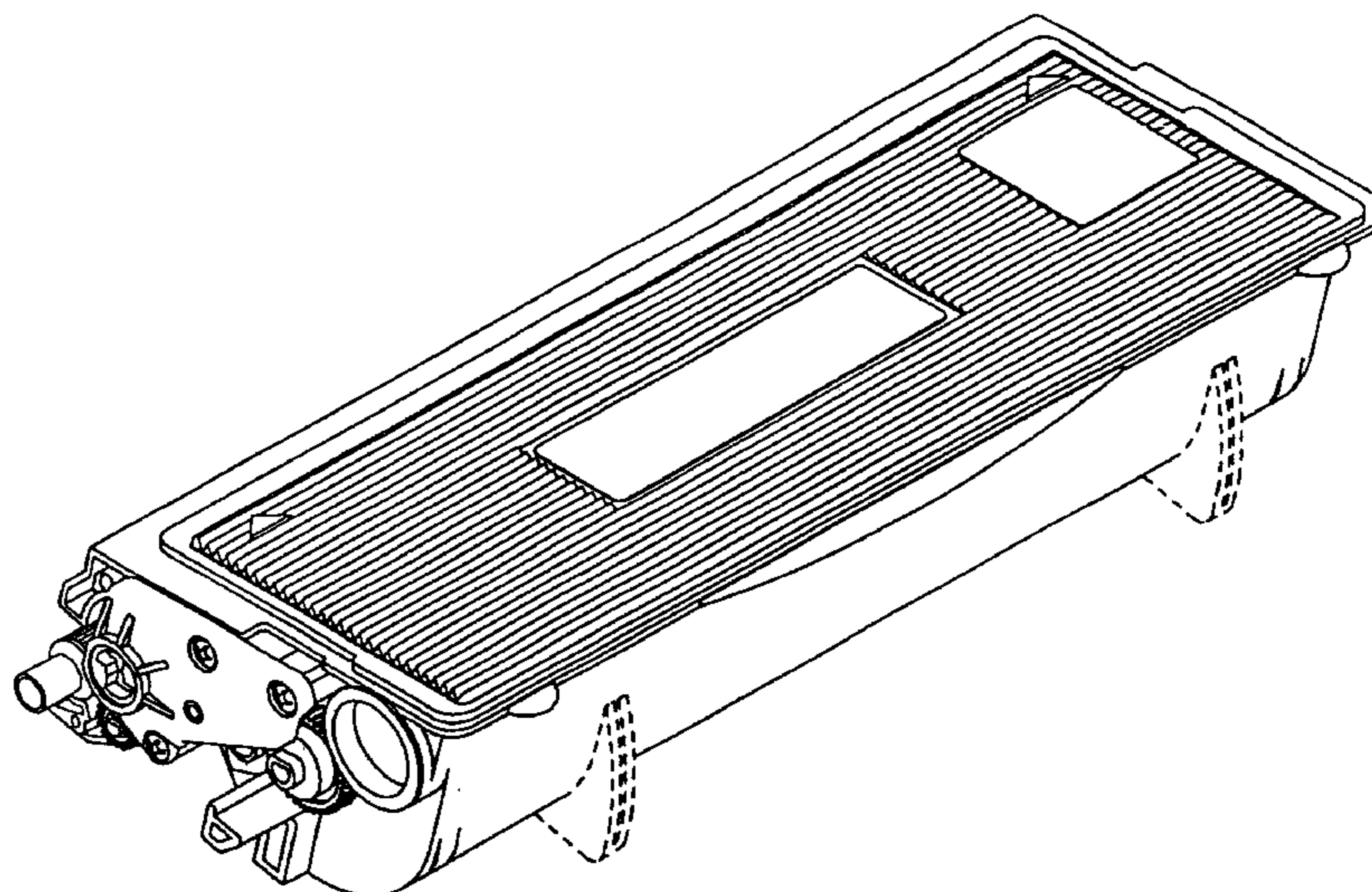
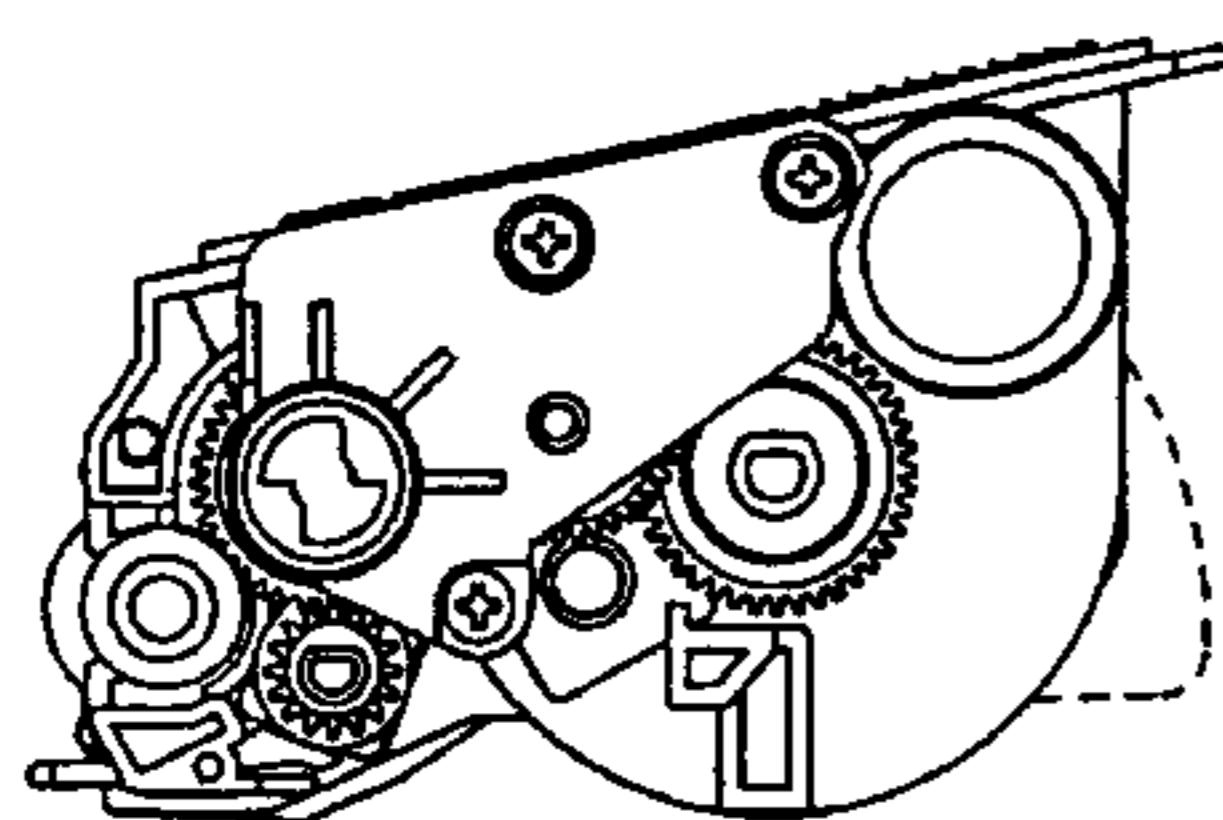


Fig. 1

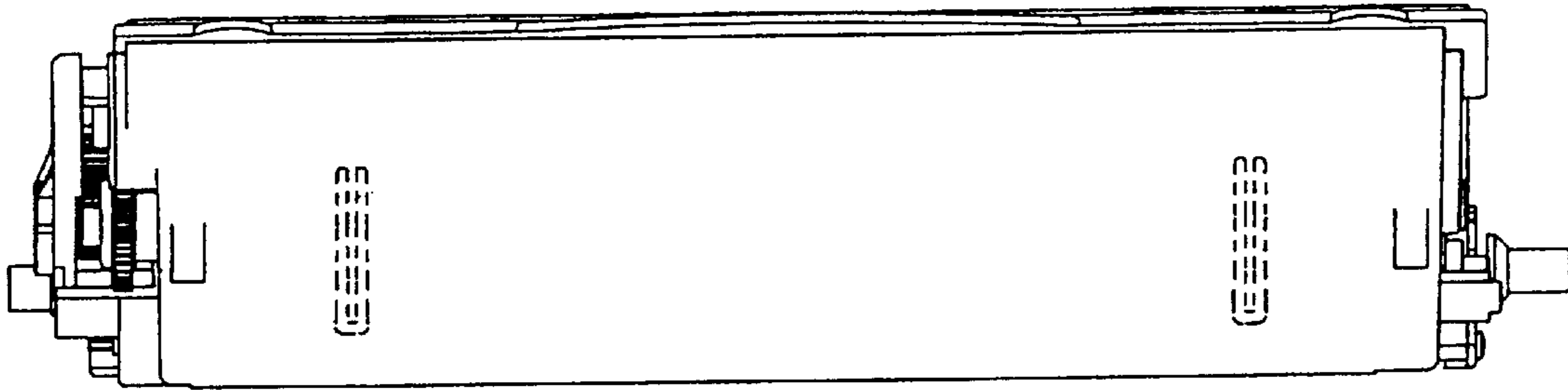


Fig. 2

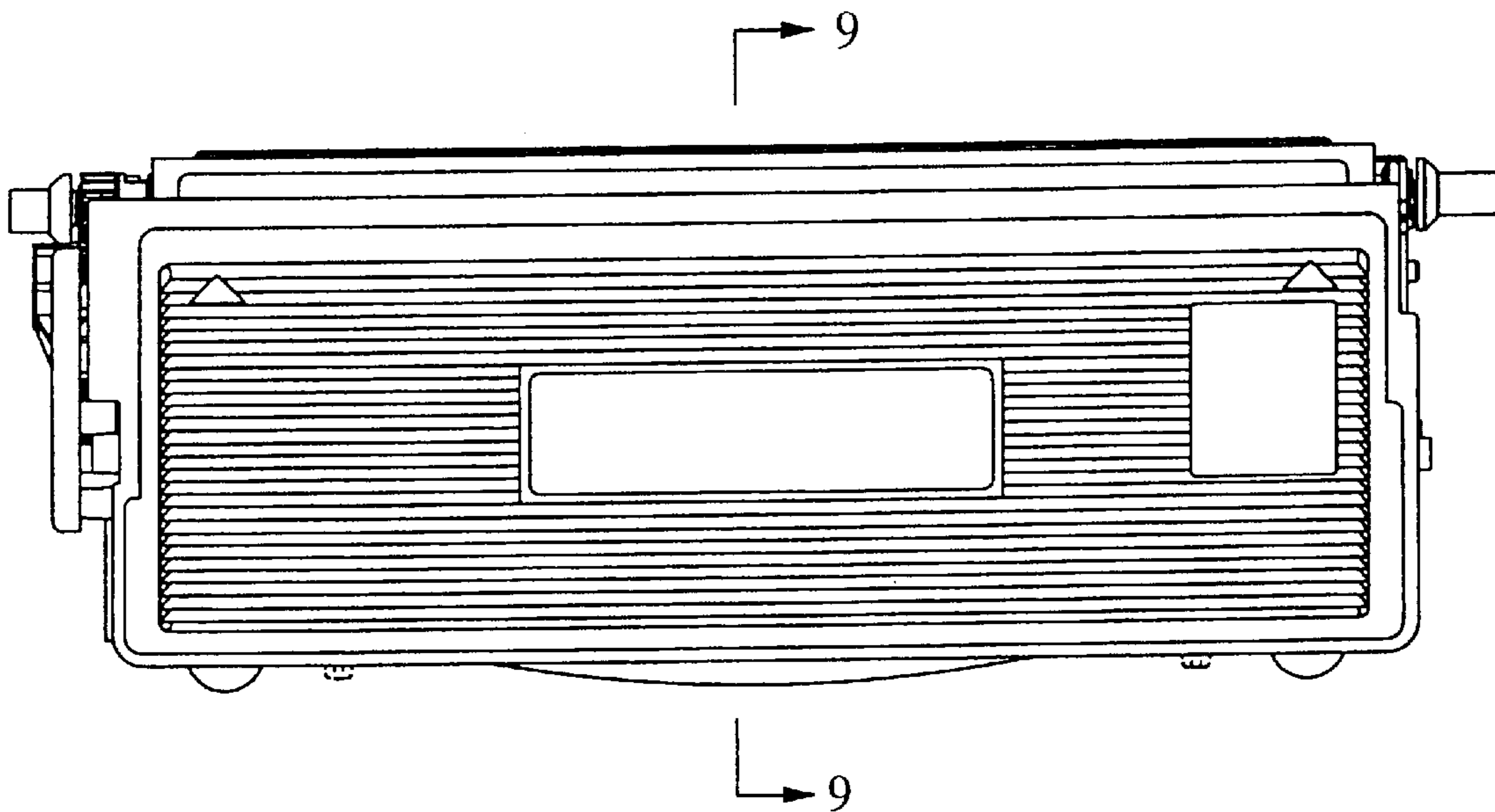


Fig. 3

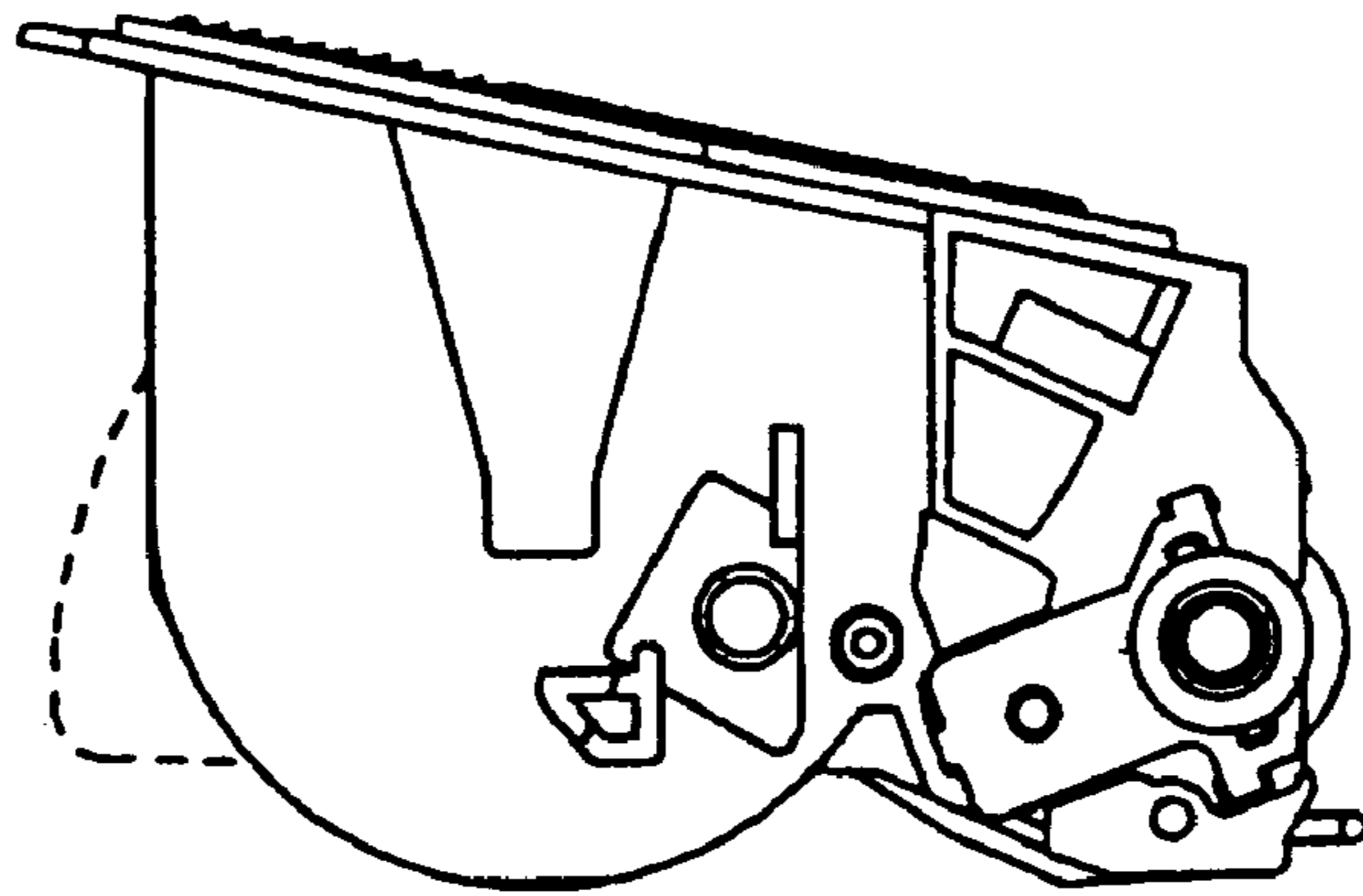


Fig. 4

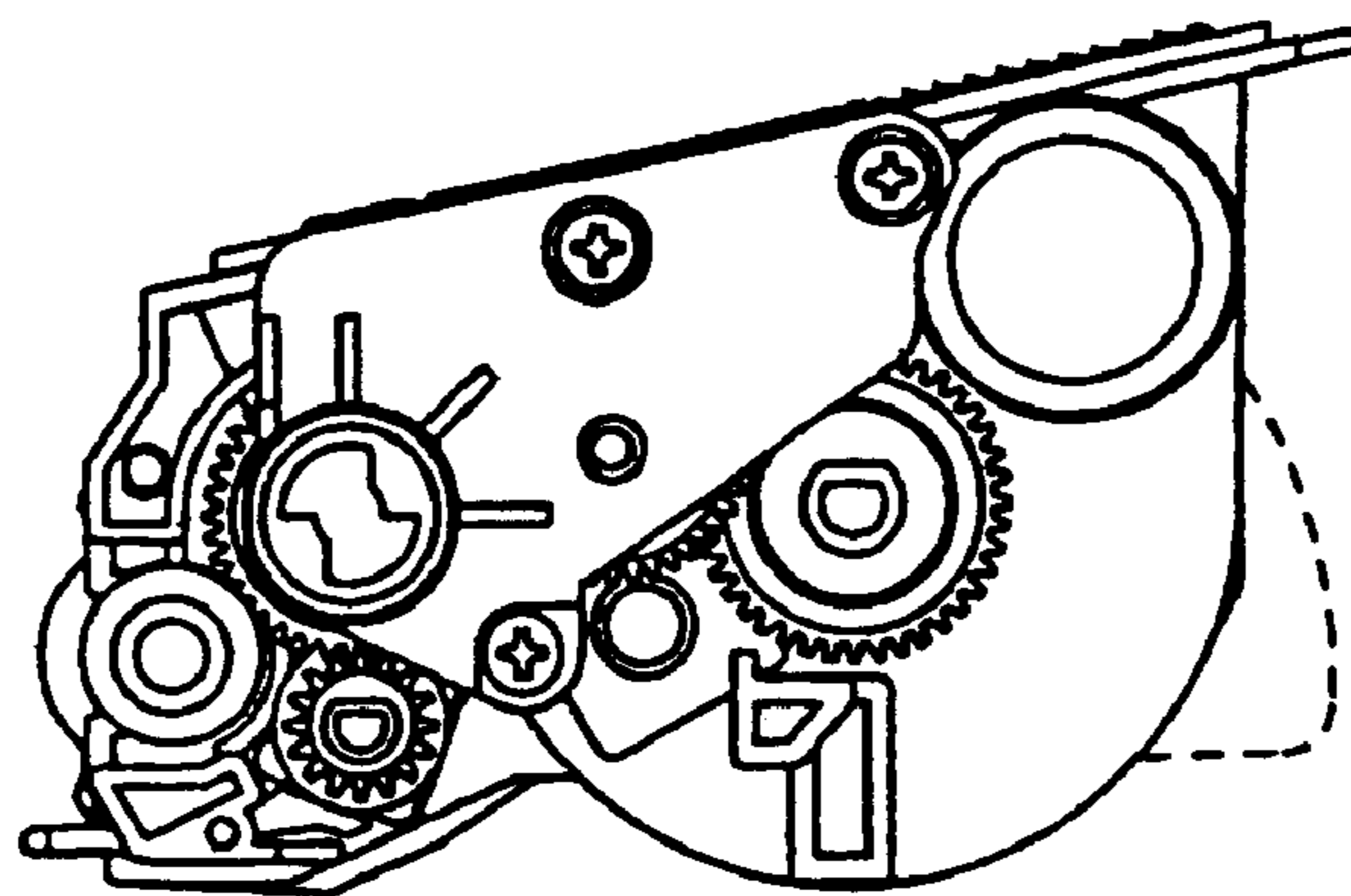


Fig. 5

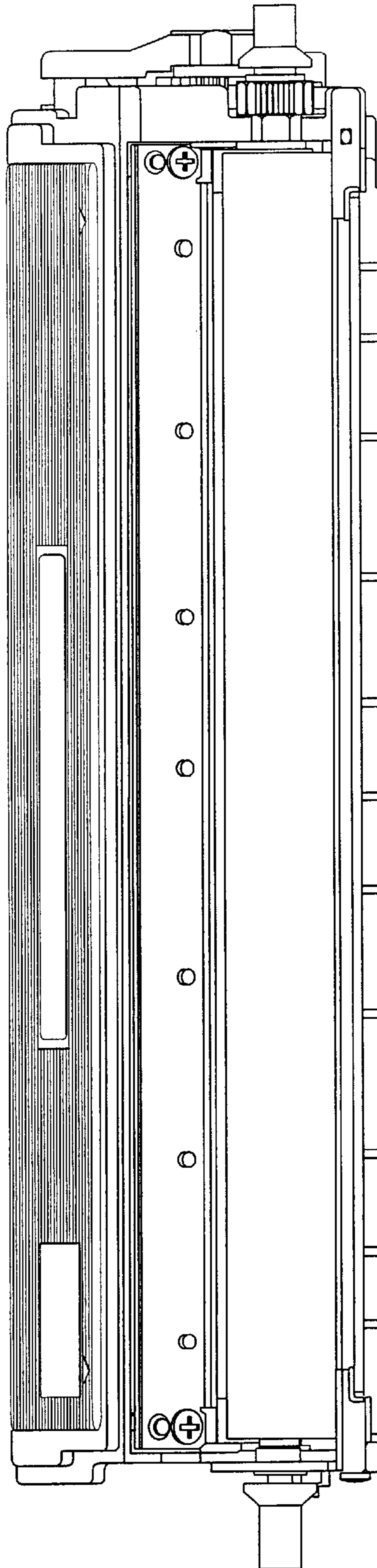


Fig. 6

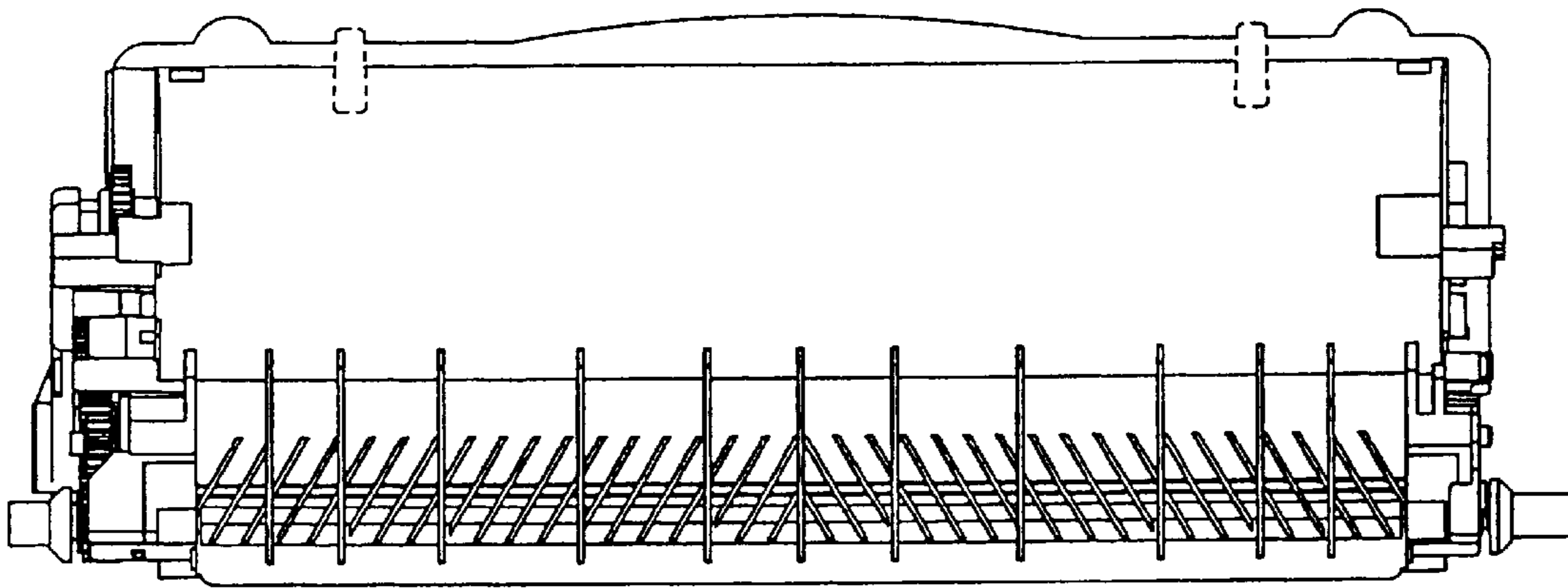


Fig. 7

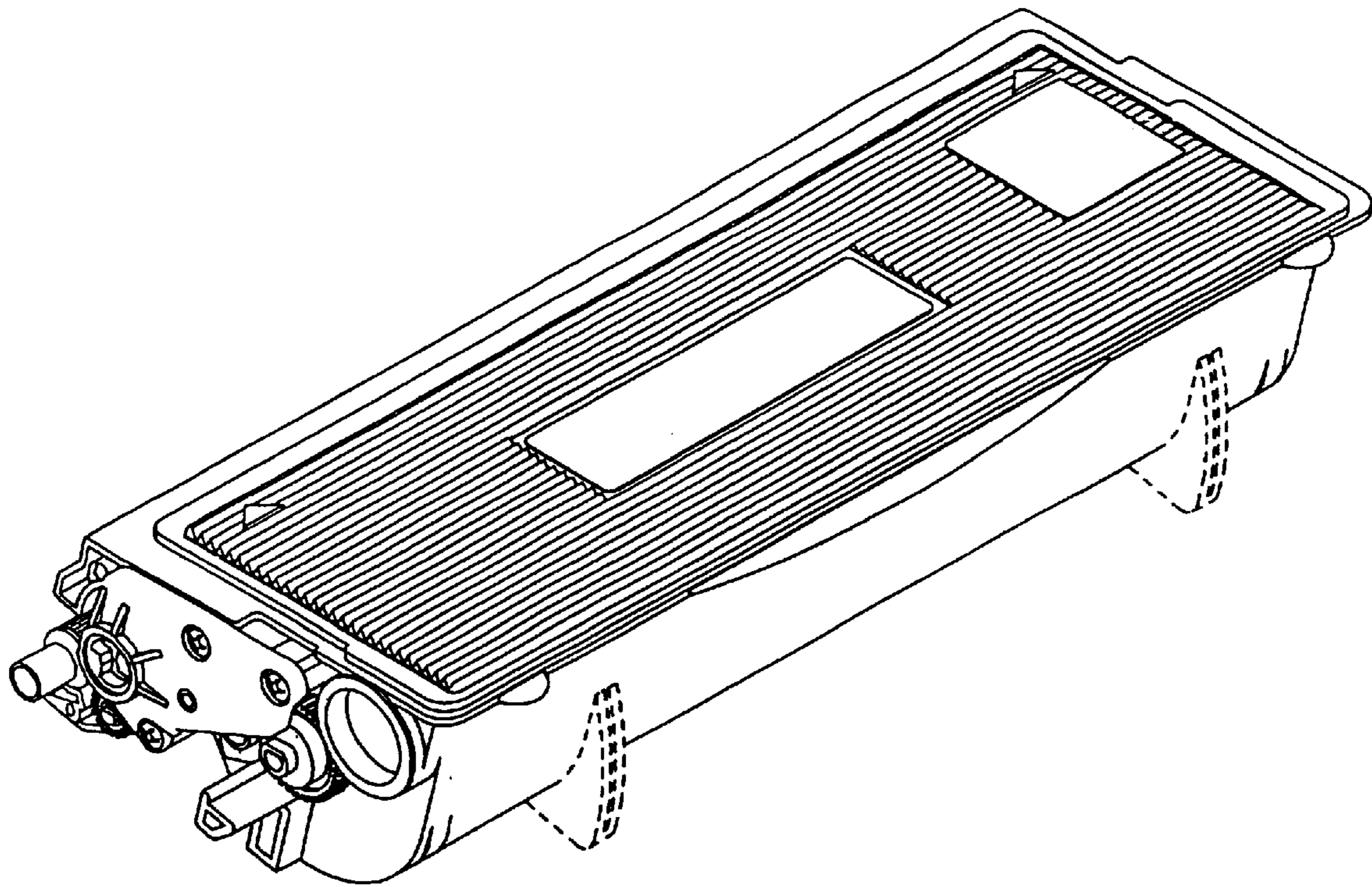


Fig. 8

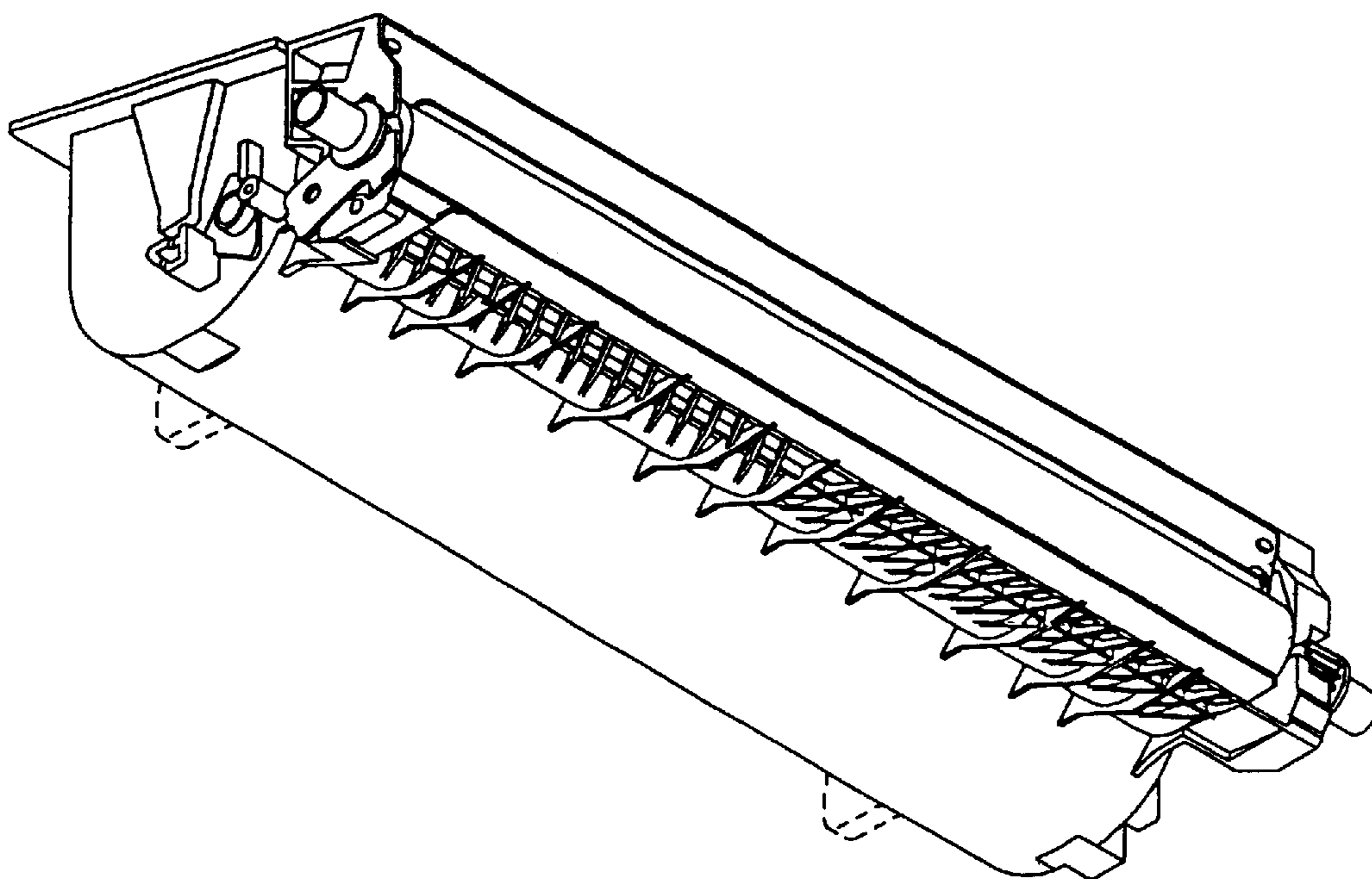


Fig. 9

