

US00D507592S

(12) **United States Design Patent**
Mizusugi et al.

(10) **Patent No.:** **US D507,592 S**
(45) **Date of Patent:** **** Jul. 19, 2005**

- (54) **CASH REGISTER**
- (75) Inventors: **Kanji Mizusugi**, Mie-ken (JP); **Kenji Ohta**, Osaka-fu (JP)
- (73) Assignee: **Sharp Kabushiki Kaisha**, Osaka (JP)
- (**) Term: **14 Years**
- (21) Appl. No.: **29/197,397**
- (22) Filed: **Jan. 15, 2004**
- (30) **Foreign Application Priority Data**
Jul. 17, 2003 (JP) 2003-020687
- (51) **LOC (8) Cl.** **18-01**
- (52) **U.S. Cl.** **D18/4.1; D18/4.4**
- (58) **Field of Search** D18/4.1-4.6, 6;
D14/336, 338-341, 371, 373-375, 125-129,
240, 151; 235/7 R, 10, 11, 379, 380, 61 R;
248/917-924; 341/12; 348/180, 184, 325,
739; 349/1, 2, 11, 62; 705/15-17

D361,757 S	8/1995	Mizusugi et al.	D18/4.5
D362,427 S	9/1995	Mizusugi et al.	D18/4.4
D372,042 S	7/1996	Mizusugi et al.	D18/4.1
D372,043 S	7/1996	Hokazono	D18/4.4
D379,366 S	5/1997	Hokazono	D18/4.1
D385,903 S	* 11/1997	Kim	D18/4.4
D389,466 S	1/1998	Nakao et al.	D14/387
D391,601 S	3/1998	Kanaoka	D18/4.1
D420,040 S	2/2000	Mizusugi et al.	D18/4.4
D424,602 S	* 5/2000	Lin	D18/4.3
D451,535 S	* 12/2001	Lee	D18/4.6

* cited by examiner

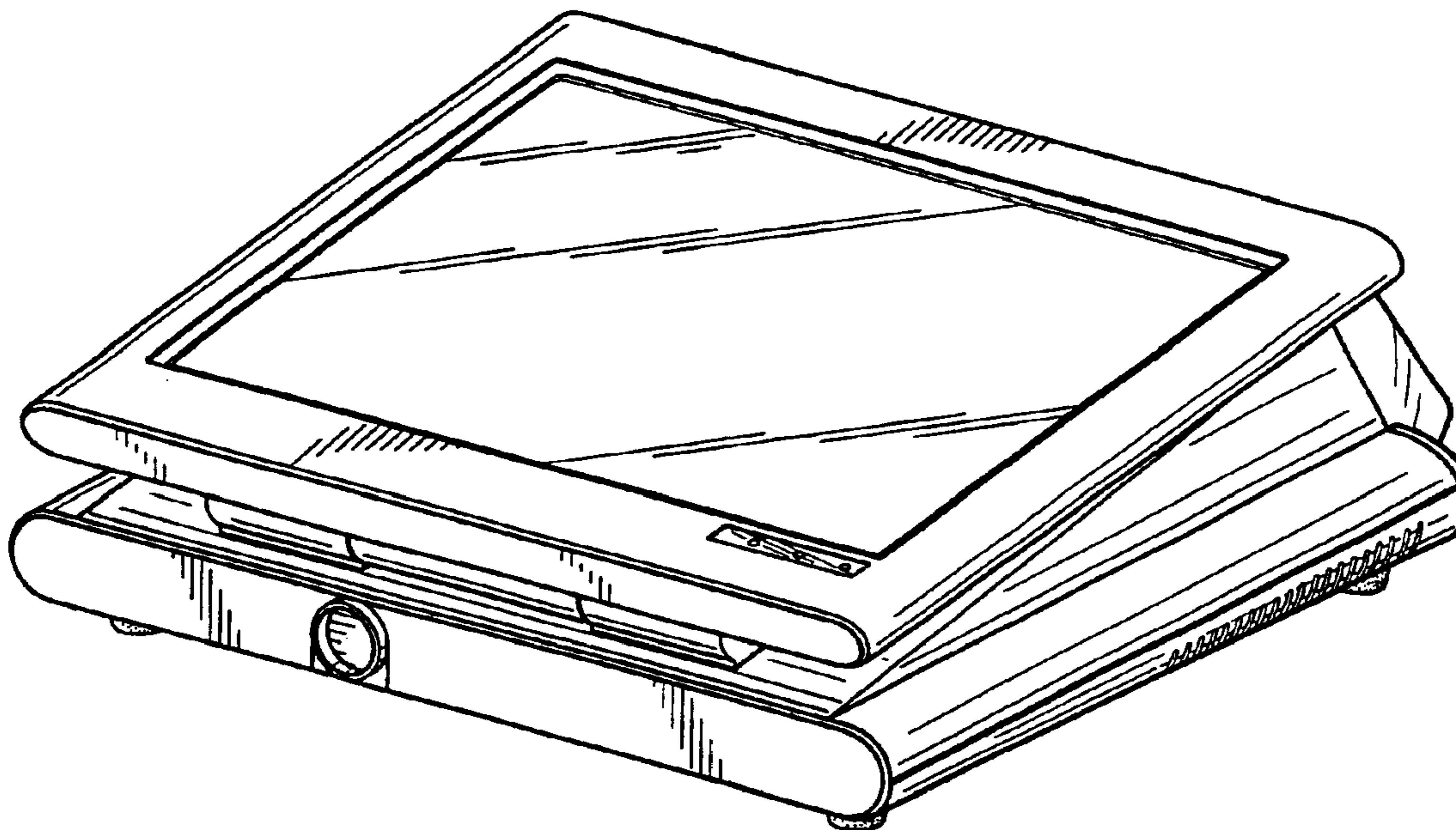
Primary Examiner—Caron D. Veynar
(74) *Attorney, Agent, or Firm*—Nixon & Vanderhye

- (56) **References Cited**
U.S. PATENT DOCUMENTS
D333,147 S 2/1993 Miyake et al. D18/4.3
D353,613 S 12/1994 Miyake et al. D18/4.4
D354,977 S 1/1995 Miyake et al. D18/4.4
D355,170 S 2/1995 Mizusugi et al. D14/336
D359,030 S * 6/1995 Gildea et al. D14/374

(57) **CLAIM**
The ornamental design for a “cash register,” as shown and described.

DESCRIPTION
FIG. 1 is a top, front and right side perspective view of a cash register according to our design;
FIG. 2 is a front elevational view thereof;
FIG. 3 is a rear elevational view thereof;
FIG. 4 is a top plan view thereof;
FIG. 5 is a bottom plan view thereof; and,
FIG. 6 is a right side elevational view thereof, the left side elevational view being a mirror image.

1 Claim, 5 Drawing Sheets



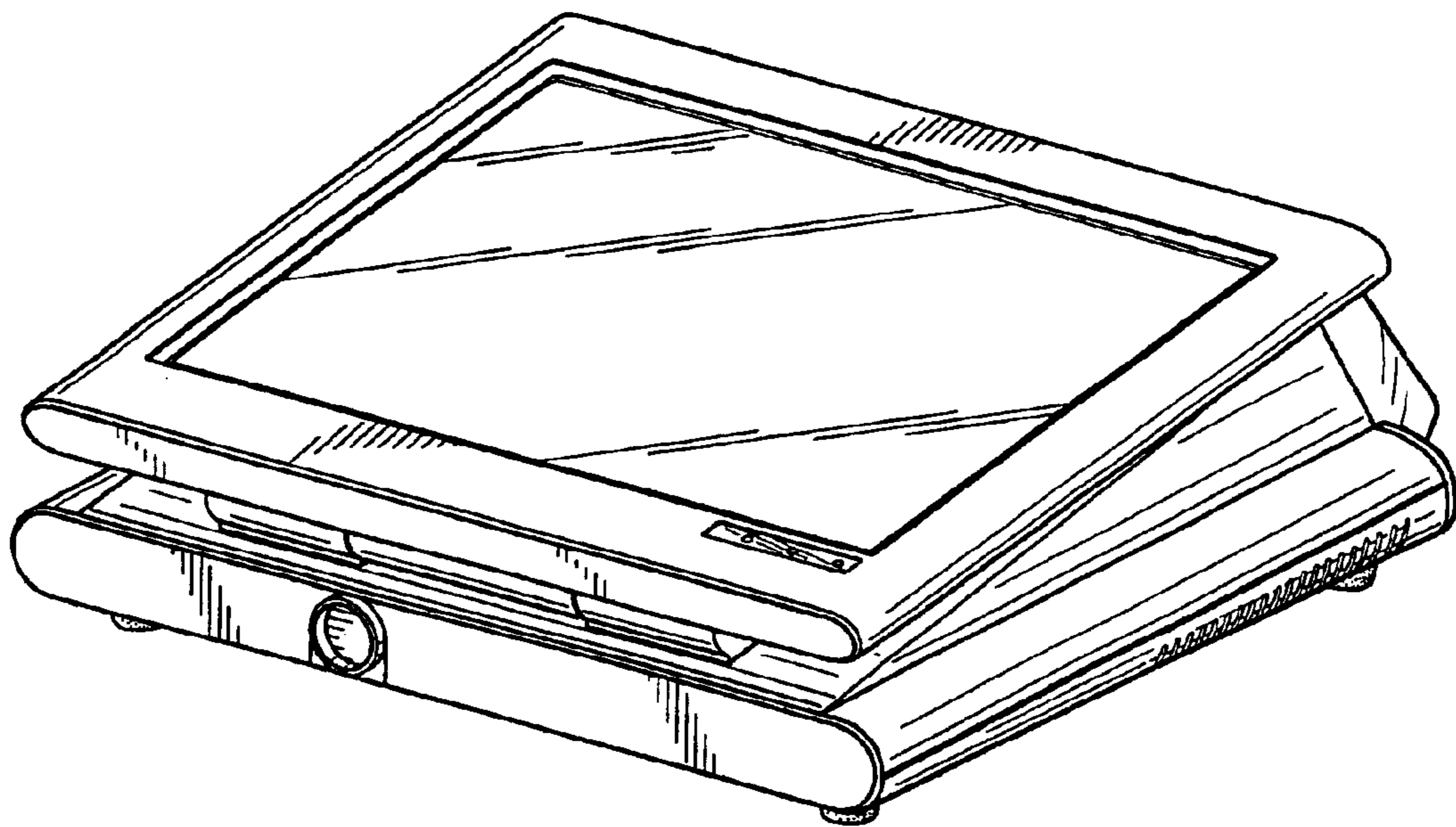


Fig.1

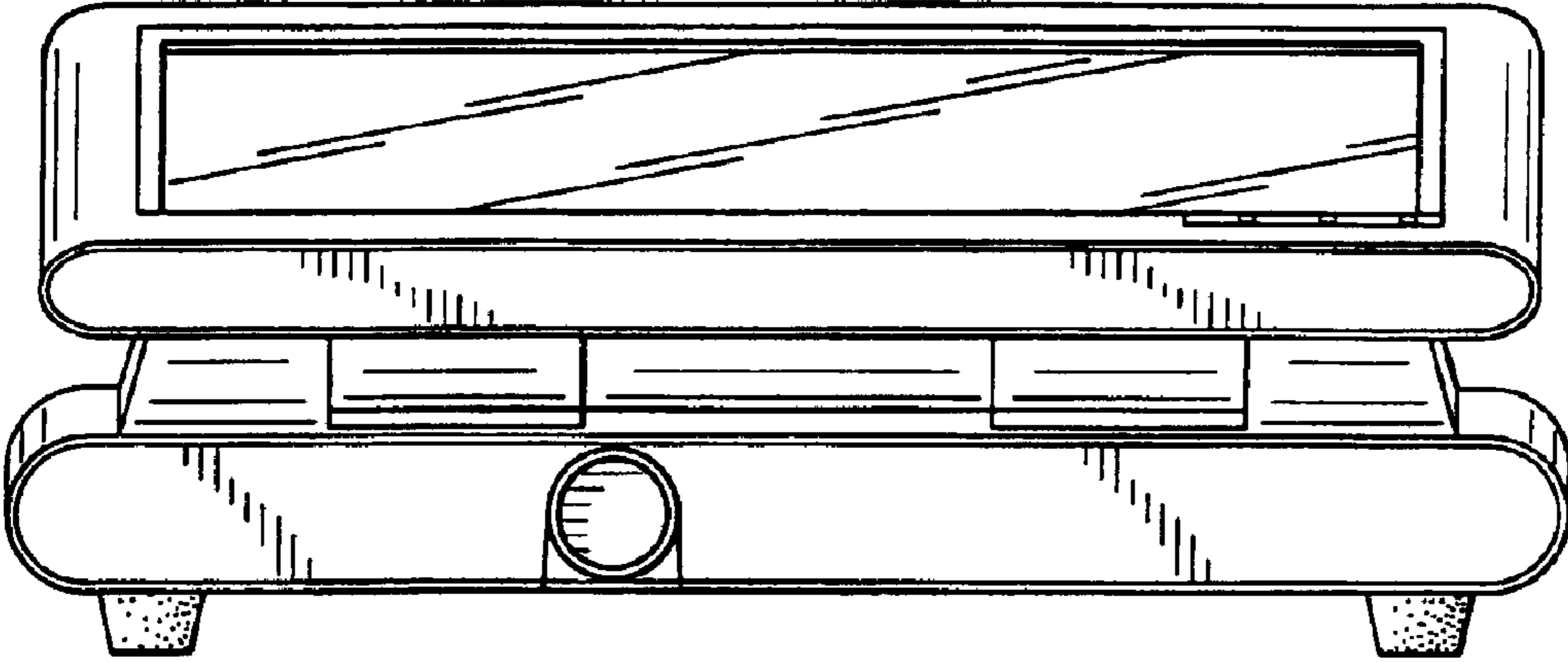


Fig.2

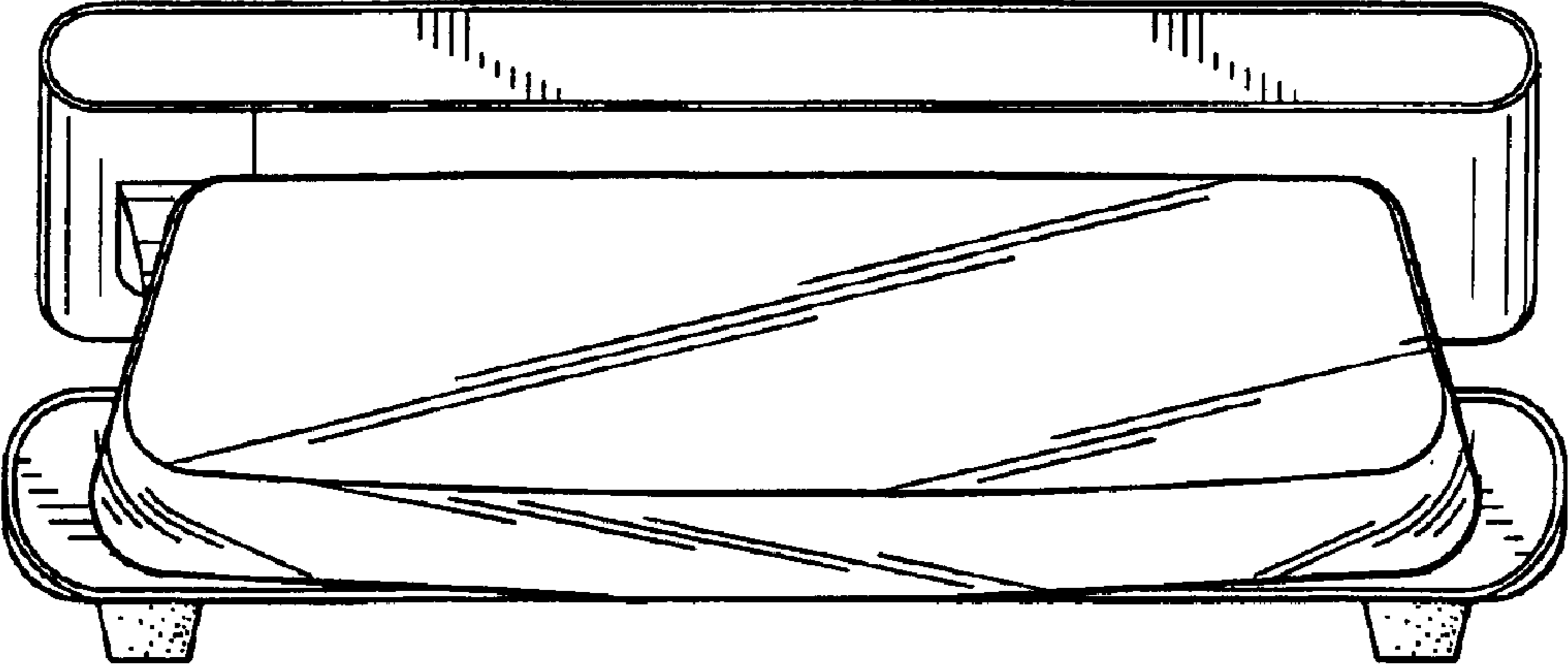


Fig.3

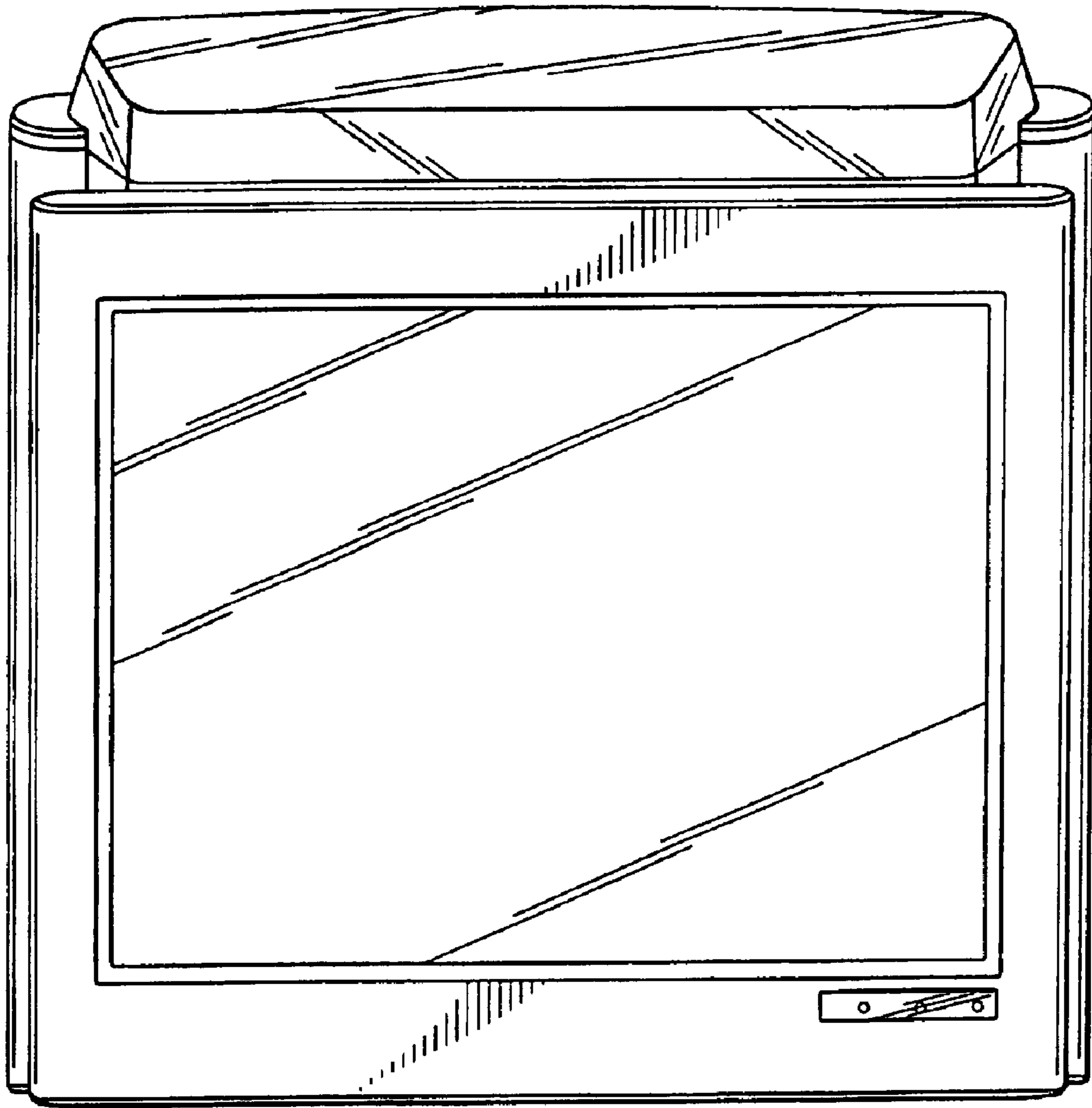


Fig.4

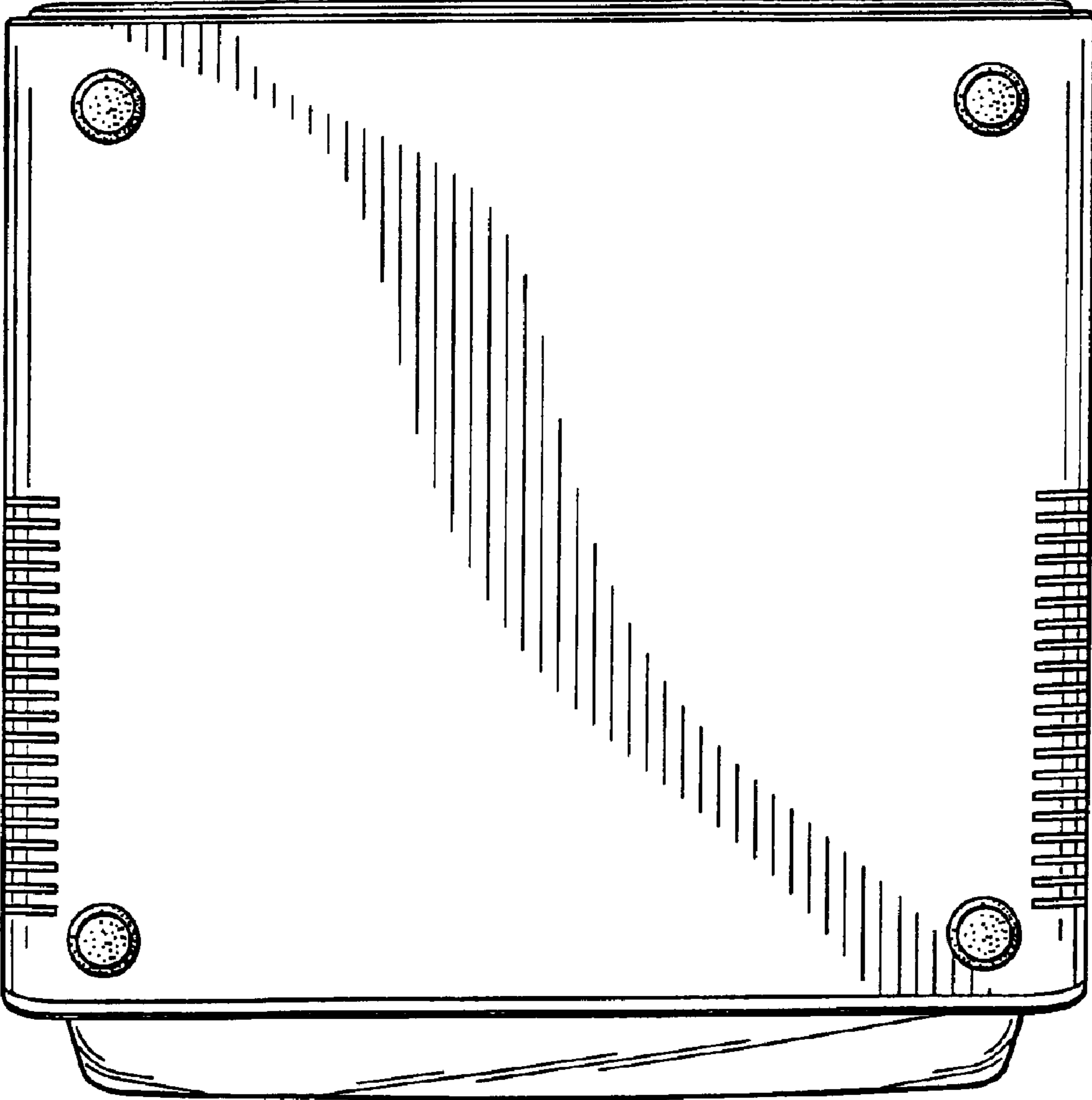


Fig.5

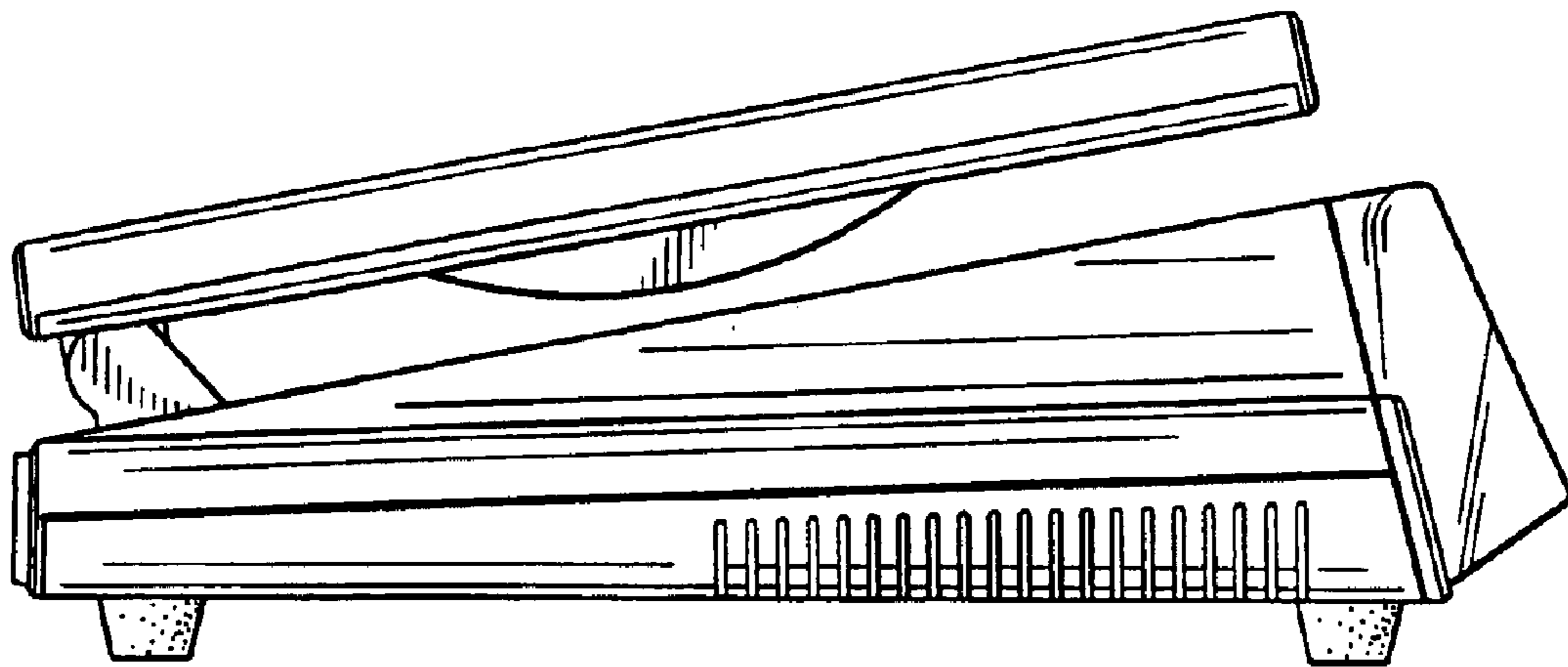


Fig.6