

US00D507591S

(12) **United States Design Patent**  
**Kamijima et al.**

(10) **Patent No.: US D507,591 S**  
(45) **Date of Patent: \*\* Jul. 19, 2005**

(54) **ADJUSTABLE TRIGGER**

(75) Inventors: **Yuujiro Kamijima**, Shizuoka (JP);  
**Kiyoshi Yoshino**, Shizuoka (JP);  
**Akihiko Fukuoka**, Tenryuu (JP)

(73) Assignee: **Roland Corporation**, Osaka (JP)

(\*\*) Term: **14 Years**

(21) Appl. No.: **29/202,215**

(22) Filed: **Mar. 26, 2004**

**Related U.S. Application Data**

(62) Division of application No. 29/174,287, filed on Jan. 15, 2003.

(51) **LOC (8) Cl.** ..... **17-04**

(52) **U.S. Cl.** ..... **D17/22**

(58) **Field of Search** ..... D17/20–22, 99,  
D17/9; 84/411 R, 723, 453, 318, 414, DIG. 12,  
725, 600, 746, DIG. 24, 730, 743; 310/330,  
327

(56) **References Cited**

**U.S. PATENT DOCUMENTS**

5,345,037 A \* 9/1994 Nordelius ..... 84/730  
5,449,964 A \* 9/1995 Snyder ..... 310/330  
D492,342 S \* 6/2004 Kamijima et al. .... D17/22

**FOREIGN PATENT DOCUMENTS**

JP 2003-173186 6/2003

**OTHER PUBLICATIONS**

20 pages of machine translation of JP2003–173186 obtained from Japanese Patent Office Website—document has been translated by computer and may not reflect the original filing completely.

\* cited by examiner

*Primary Examiner*—Ruth McInroy

(74) *Attorney, Agent, or Firm*—Foley & Lardner LLP

(57) **CLAIM**

We claim the ornamental design for an adjustable trigger, as shown and described.

**DESCRIPTION**

FIG. 1 is a perspective view of an adjustable trigger showing our new design;

FIG. 2 is a top plan view thereof;

FIG. 3 is a front elevation view thereof;

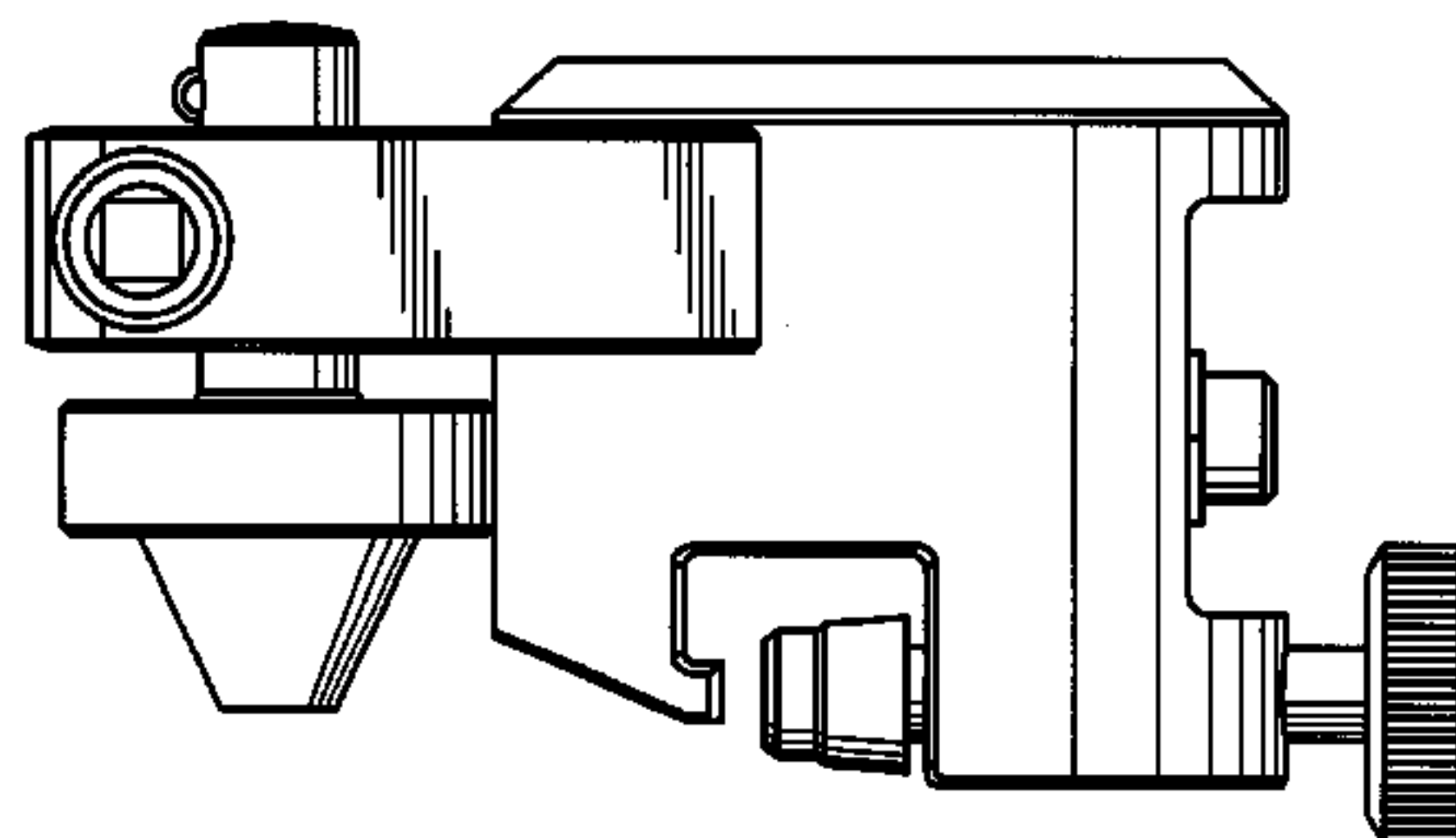
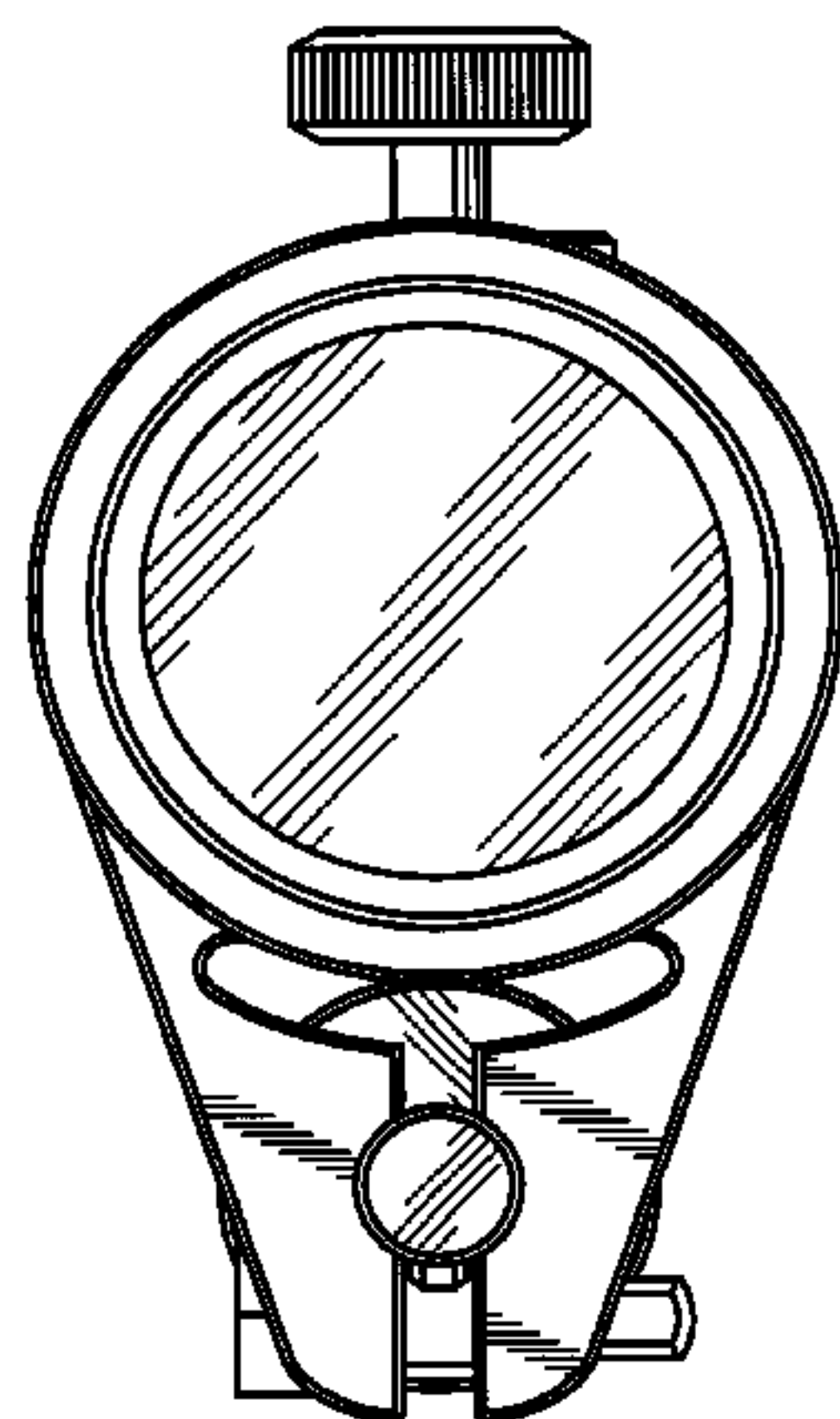
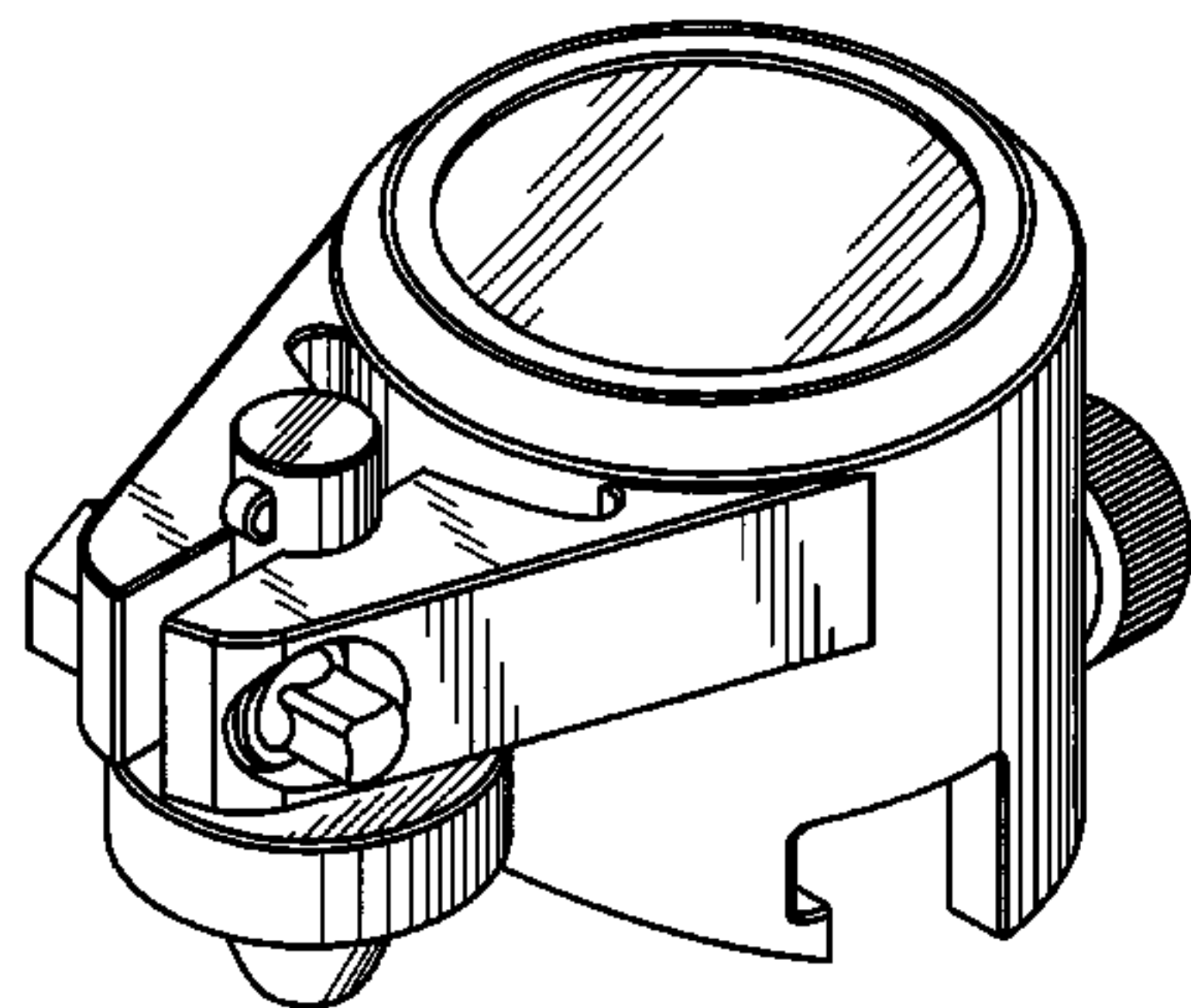
FIG. 4 is a rear elevation view thereof;

FIG. 5 is a bottom plan view thereof;

FIG. 6 is a right side elevation view thereof; and,

FIG. 7 is a left side elevation view thereof.

**1 Claim, 7 Drawing Sheets**



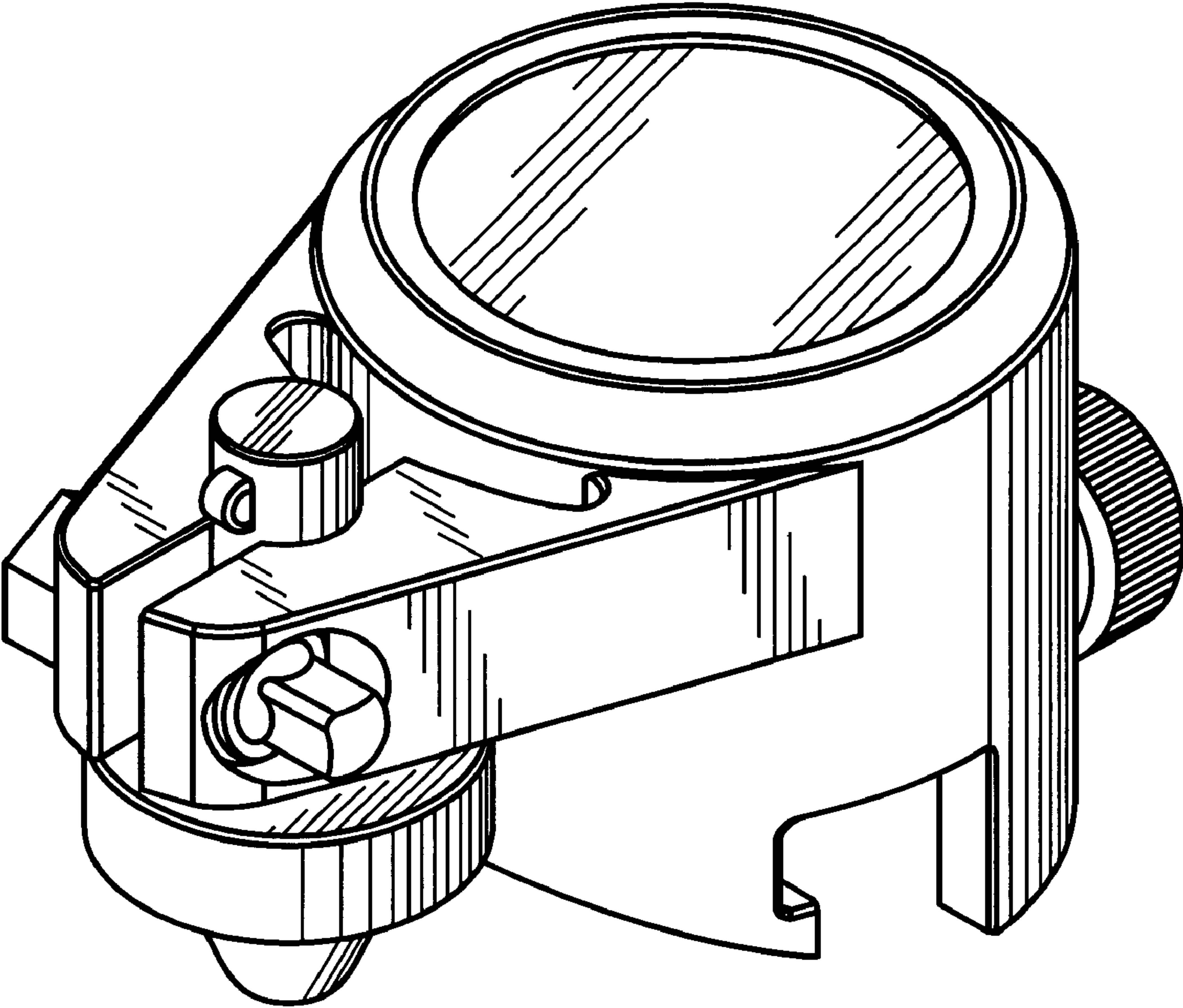


FIG. 1

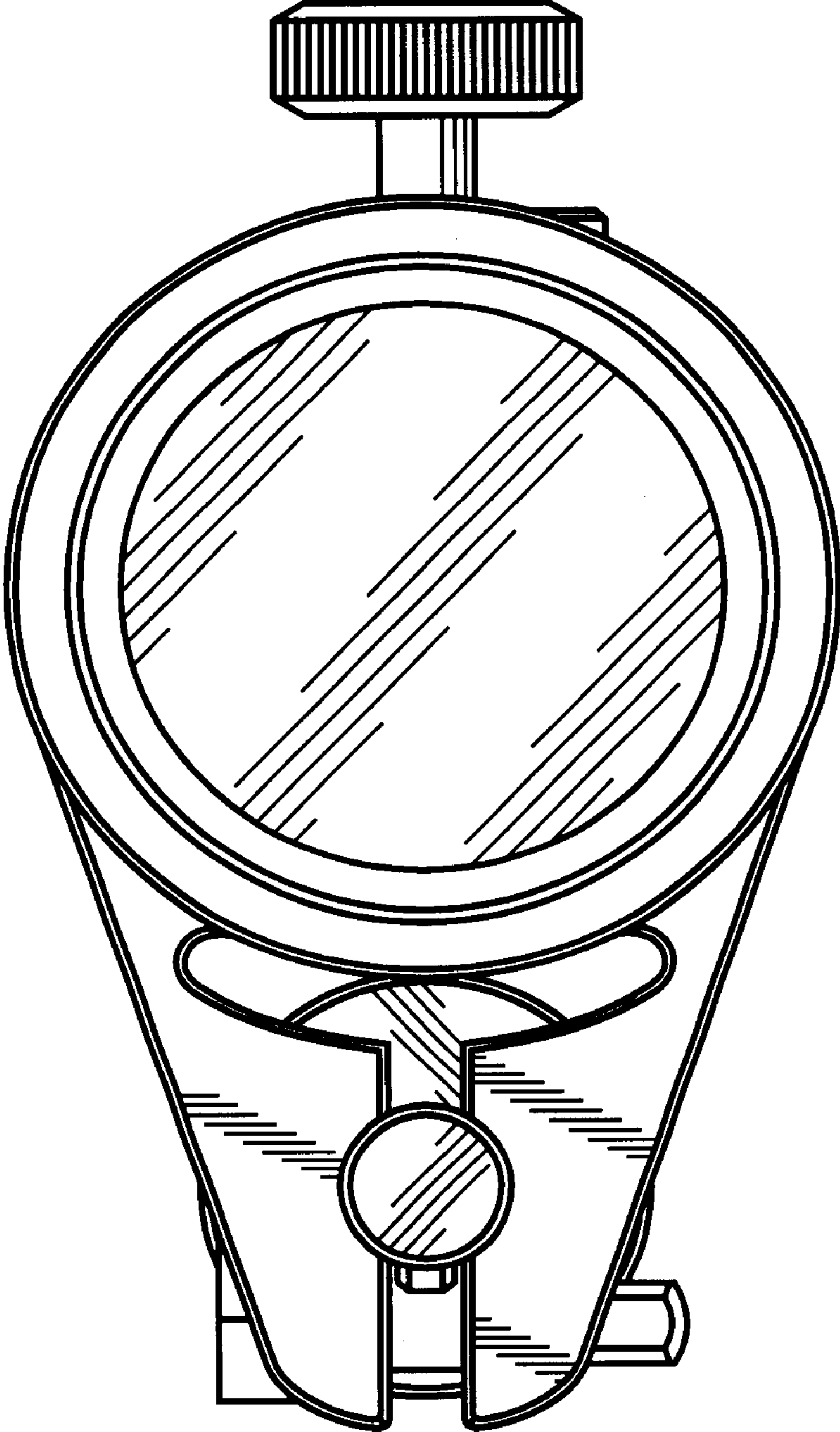


FIG. 2

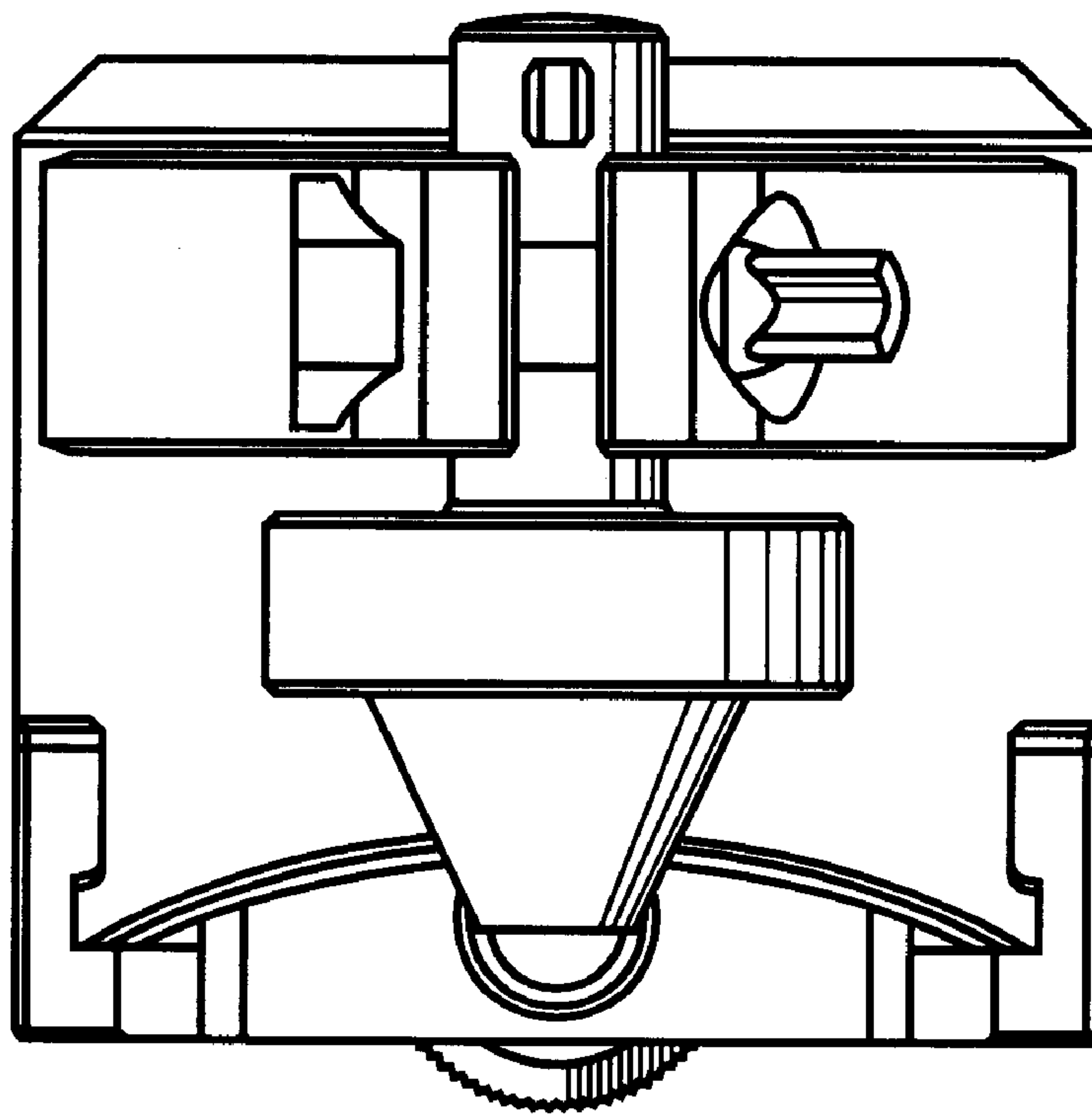


FIG. 3

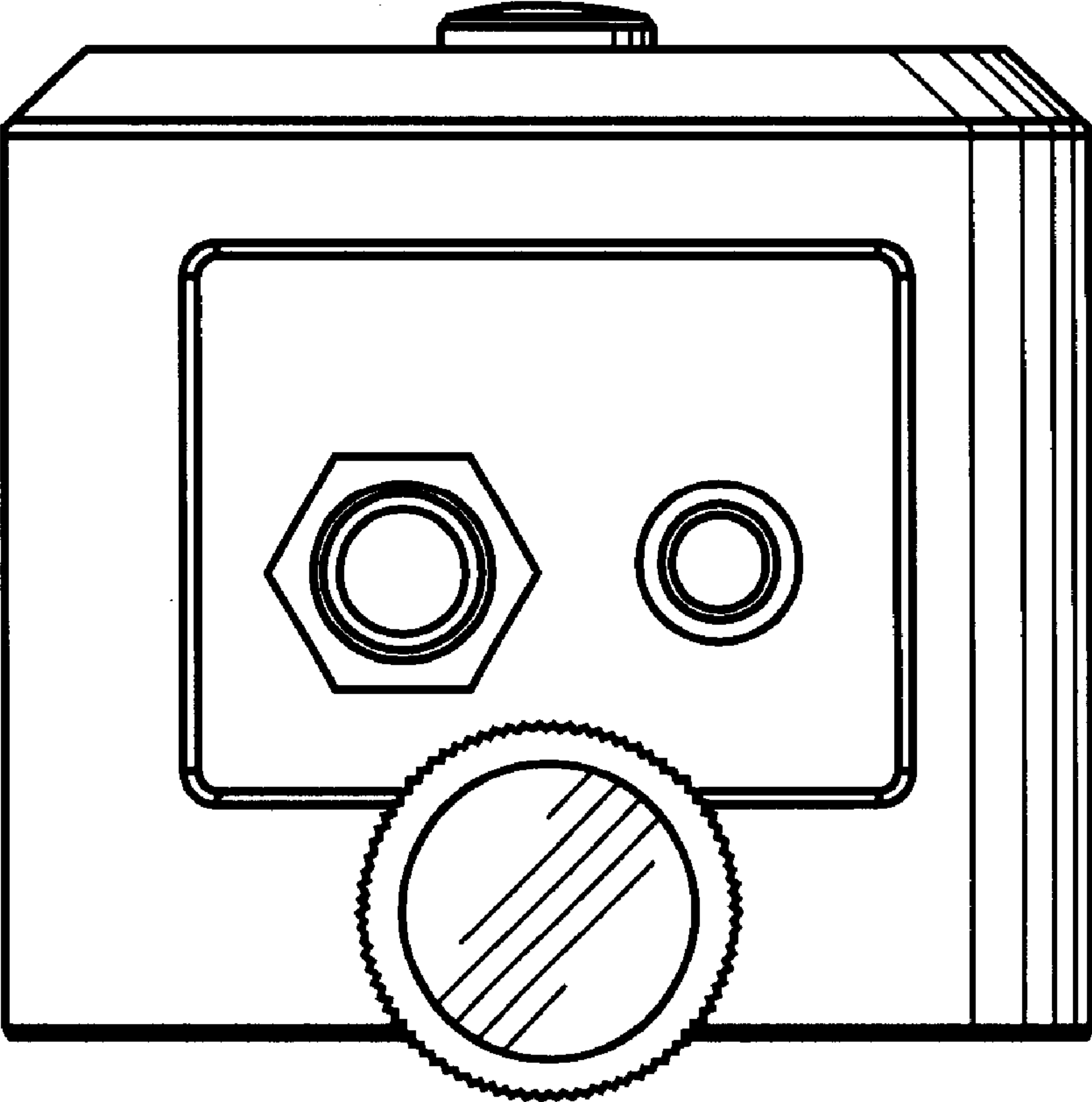


FIG. 4

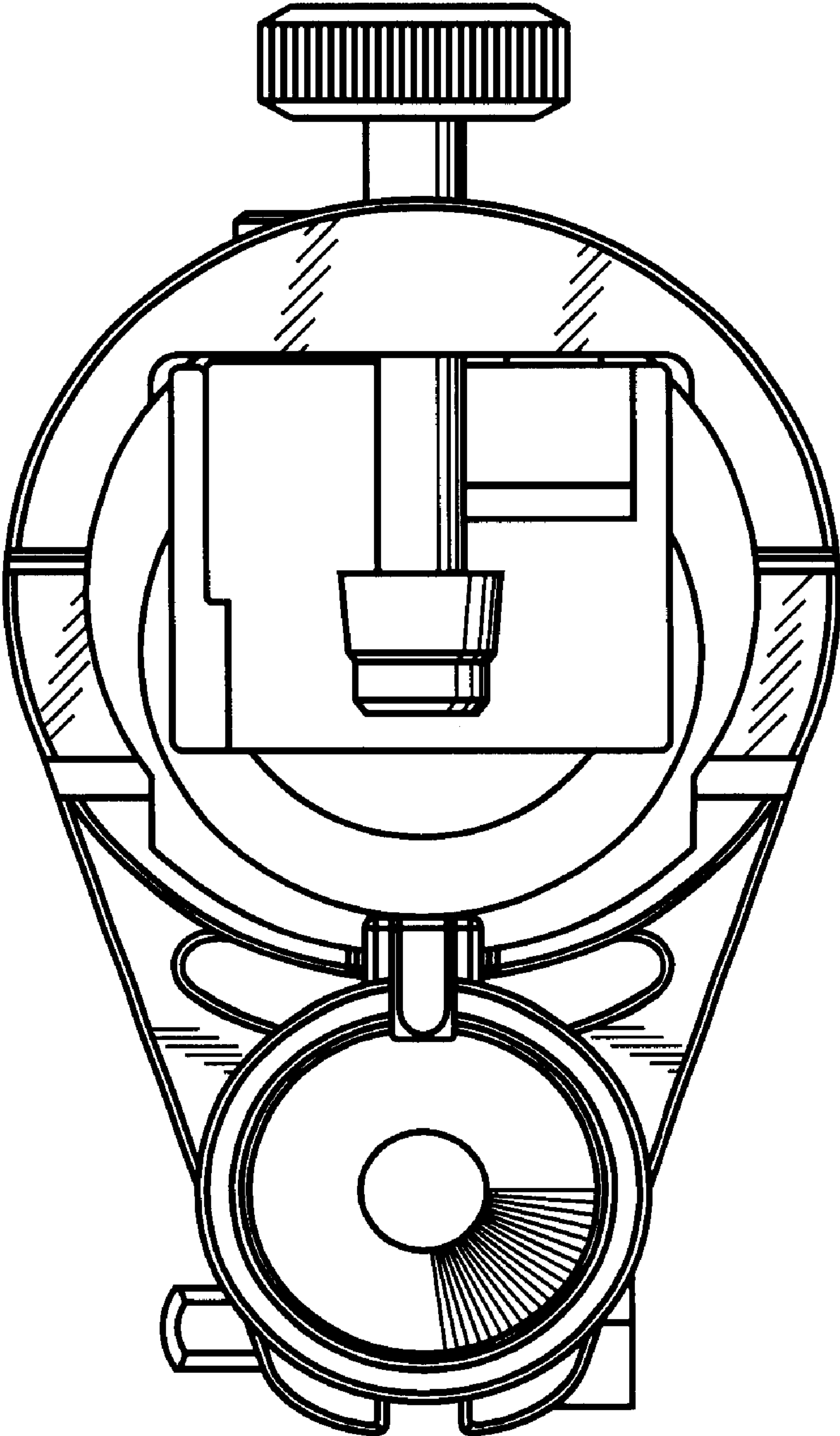


FIG. 5



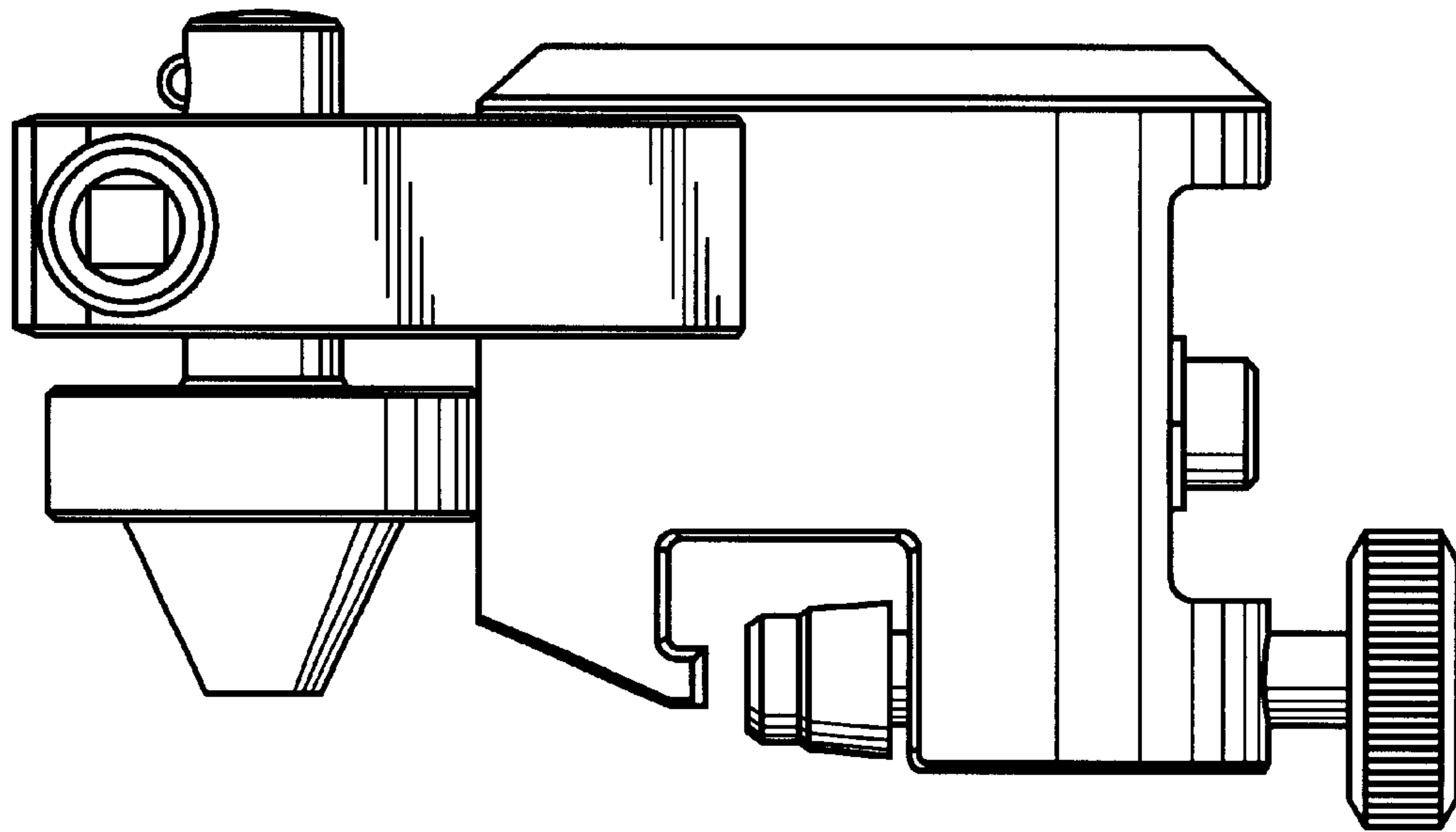


FIG. 6

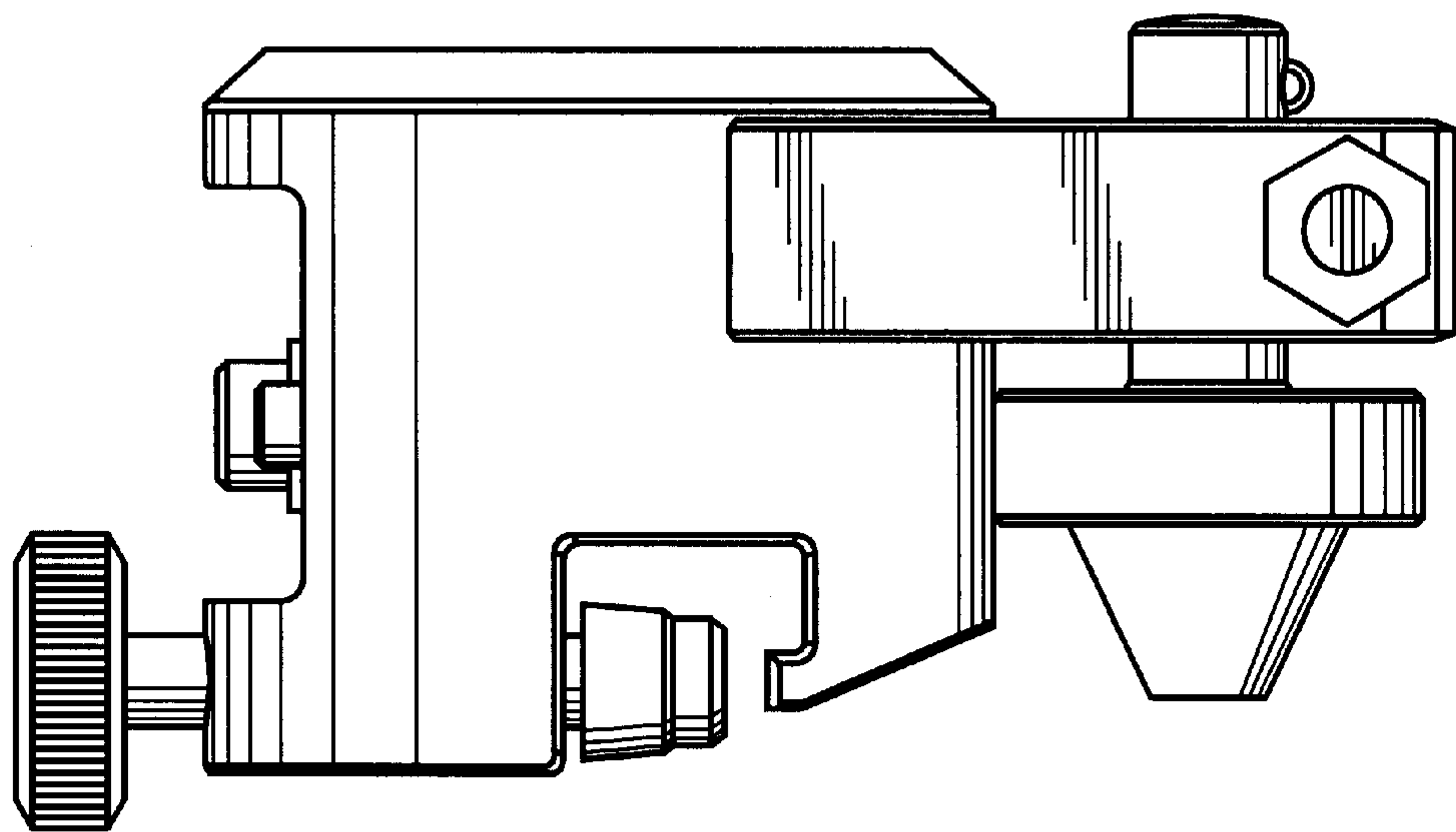


FIG. 7