

US00D507590S

(12) **United States Design Patent**
Inoue

(10) **Patent No.:** **US D507,590 S**
(45) **Date of Patent:** **** Jul. 19, 2005**

(54) **TIMPANI**
(75) **Inventor:** **Hideyuki Inoue**, Shizuoka-ken (JP)
(73) **Assignee:** **Yamaha Corporation**, Shizuoka-Ken (JP)

D220,213 S * 3/1971 Chaffee D17/22
3,747,463 A * 7/1973 Hinger 84/419
4,674,390 A * 6/1987 Allen et al. 84/419
6,043,421 A * 3/2000 Adams 84/419

* cited by examiner

(**) **Term:** **14 Years**
(21) **Appl. No.:** **29/198,748**
(22) **Filed:** **Feb. 4, 2004**

Primary Examiner—Adir Aronovich
(74) *Attorney, Agent, or Firm*—Weingarten, Schurgin, Gagnebin & Lebovici LLP

(30) **Foreign Application Priority Data**

Aug. 5, 2003 (JP) 2003-022685

(51) **LOC (8) Cl.** **17-04**
(52) **U.S. Cl.** **D17/22**
(58) **Field of Search** D17/22, 99; D21/405;
84/411 R, 419, 421, 422.1

(57) **CLAIM**

The ornamental design for a timpani, as shown.

DESCRIPTION

FIG. 1 is a front view of a timpani showing my new design;
FIG. 2 is a rear view thereof;
FIG. 3 is a right-side view thereof;
FIG. 4 is a left-side view thereof; and
FIG. 5 is a top view thereof; and,
FIG. 6 is a bottom view thereof.

(56) **References Cited**

U.S. PATENT DOCUMENTS

3,021,743 A * 2/1962 Ludwig D17/22

1 Claim, 3 Drawing Sheets

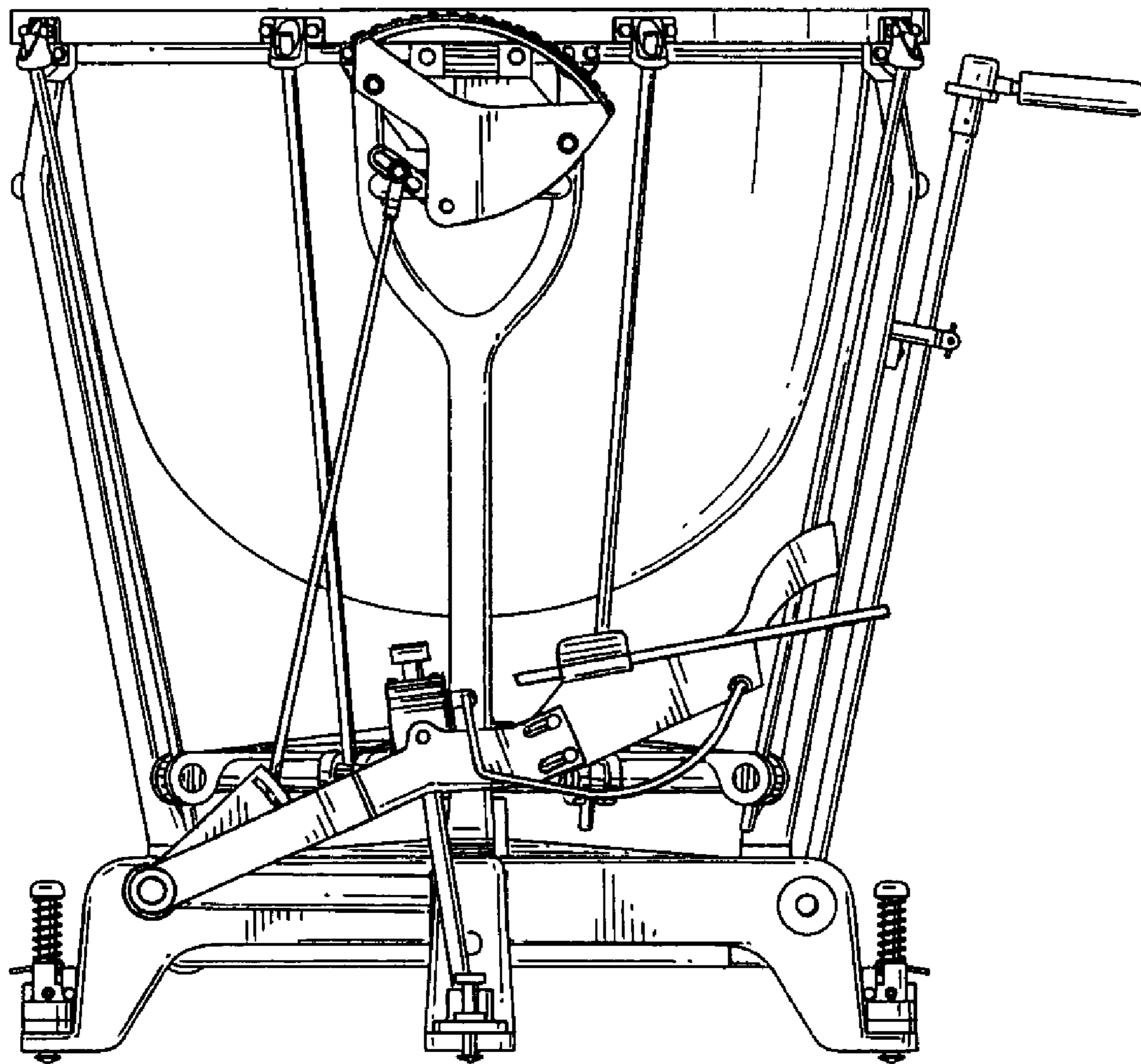


Fig. 1

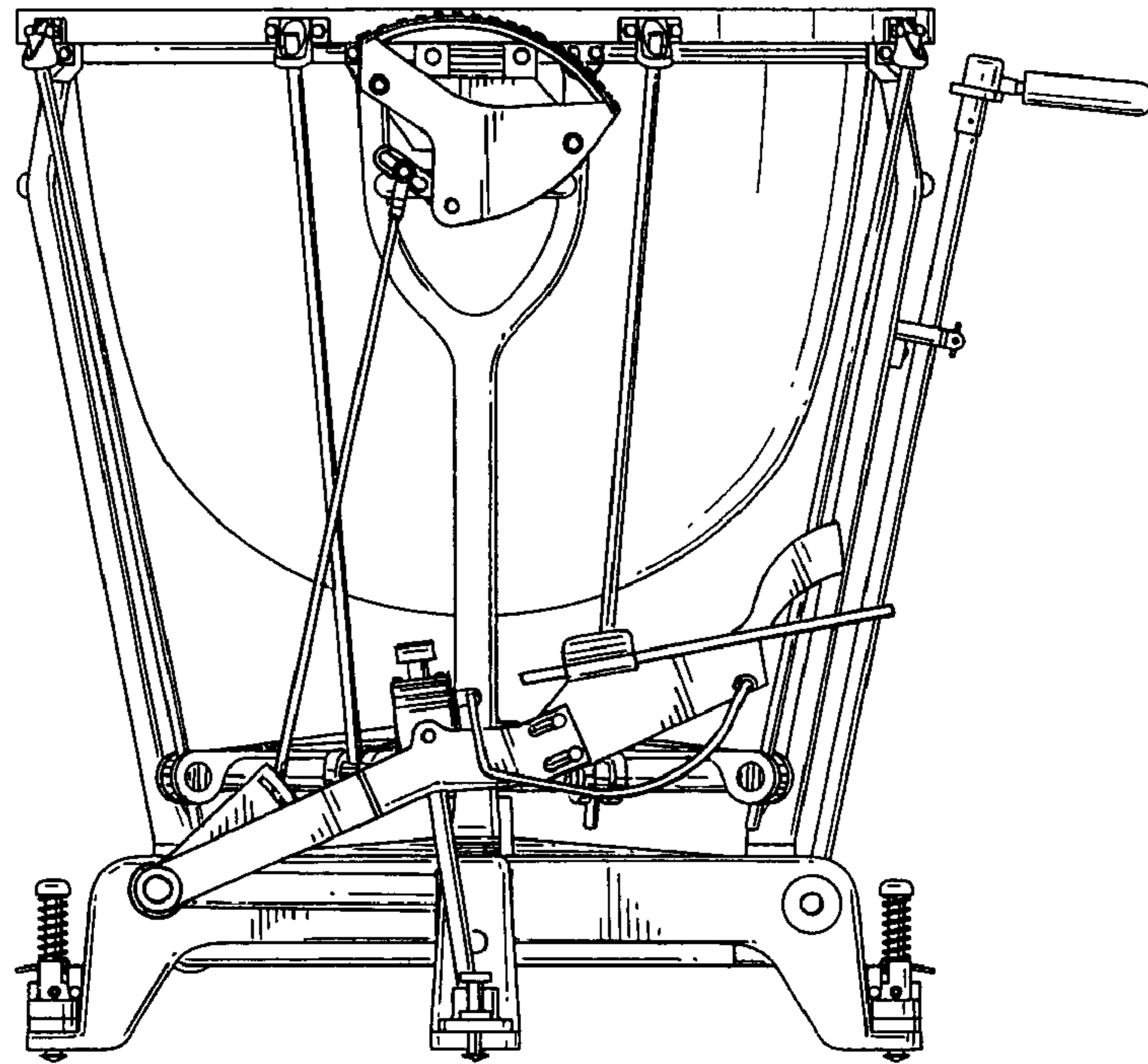


Fig. 2

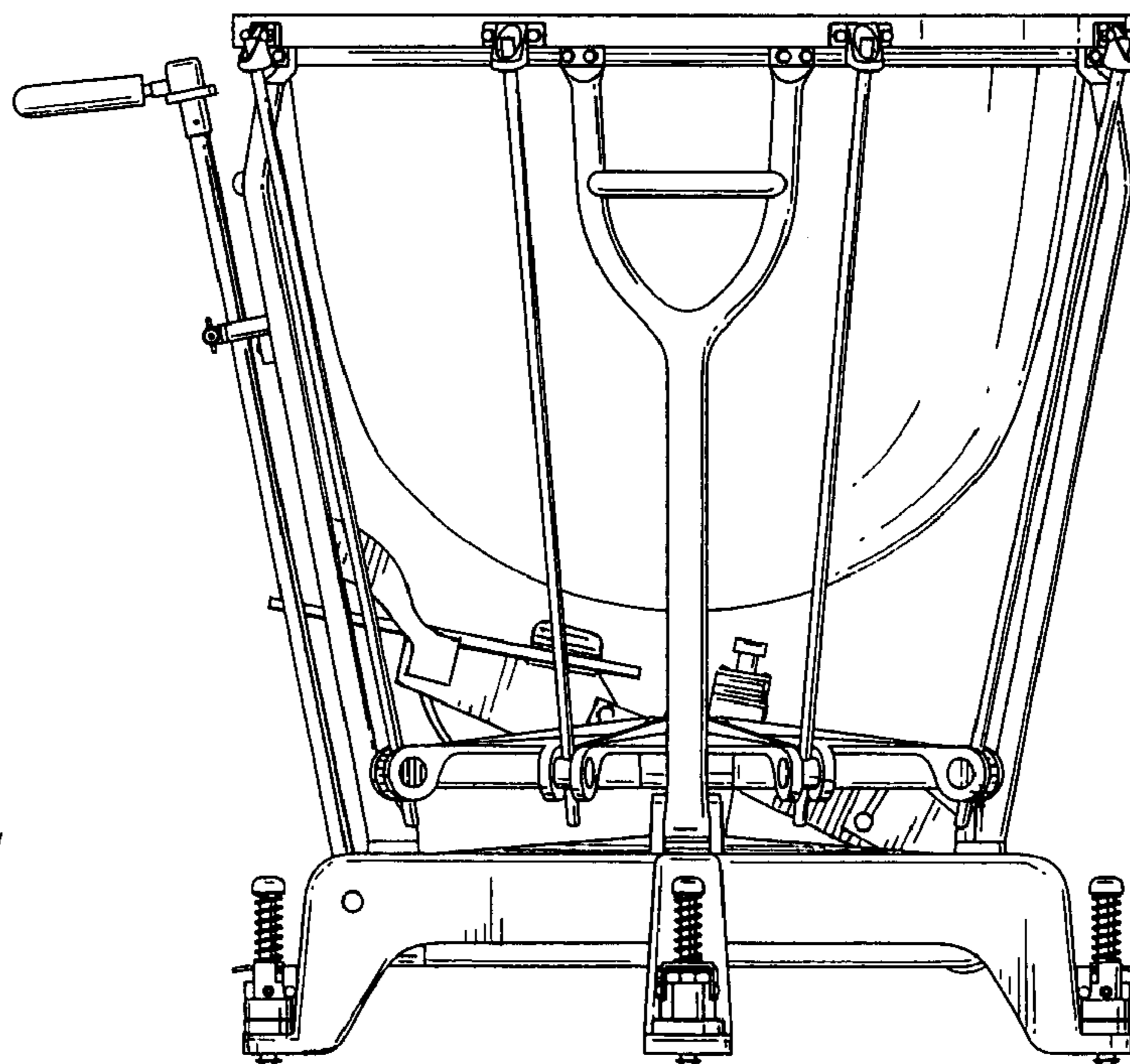


Fig. 3

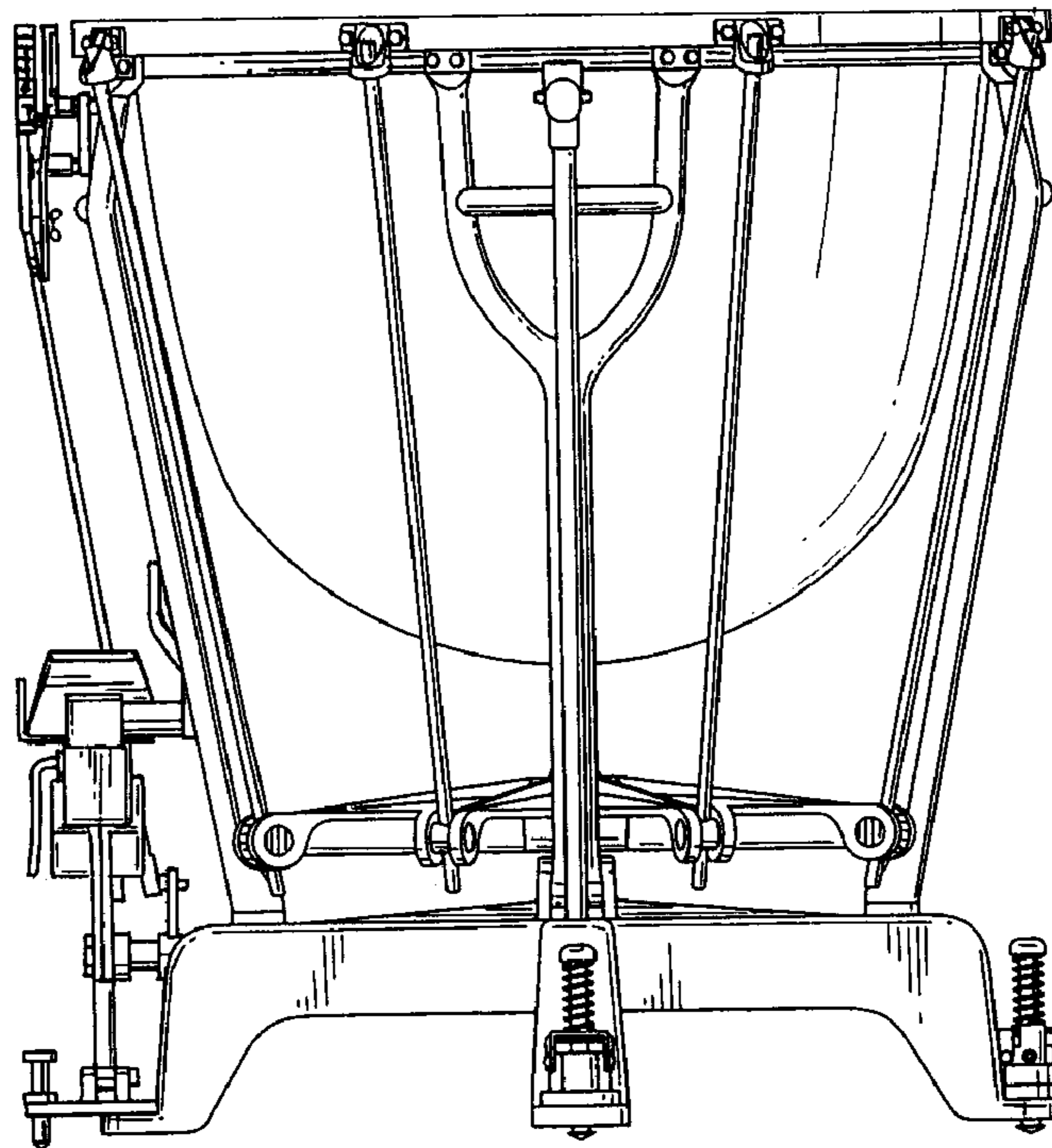


Fig. 4

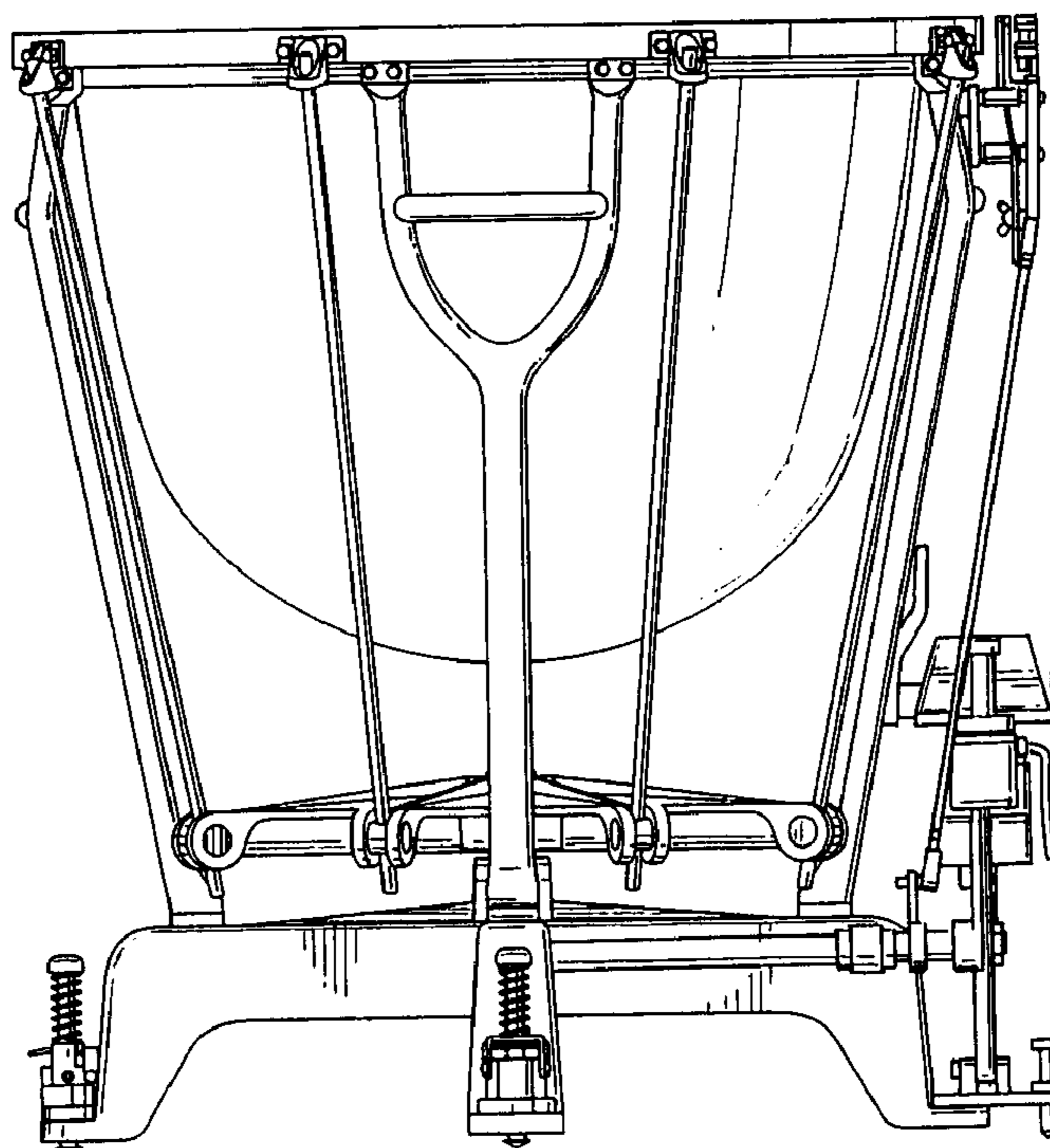


Fig. 5

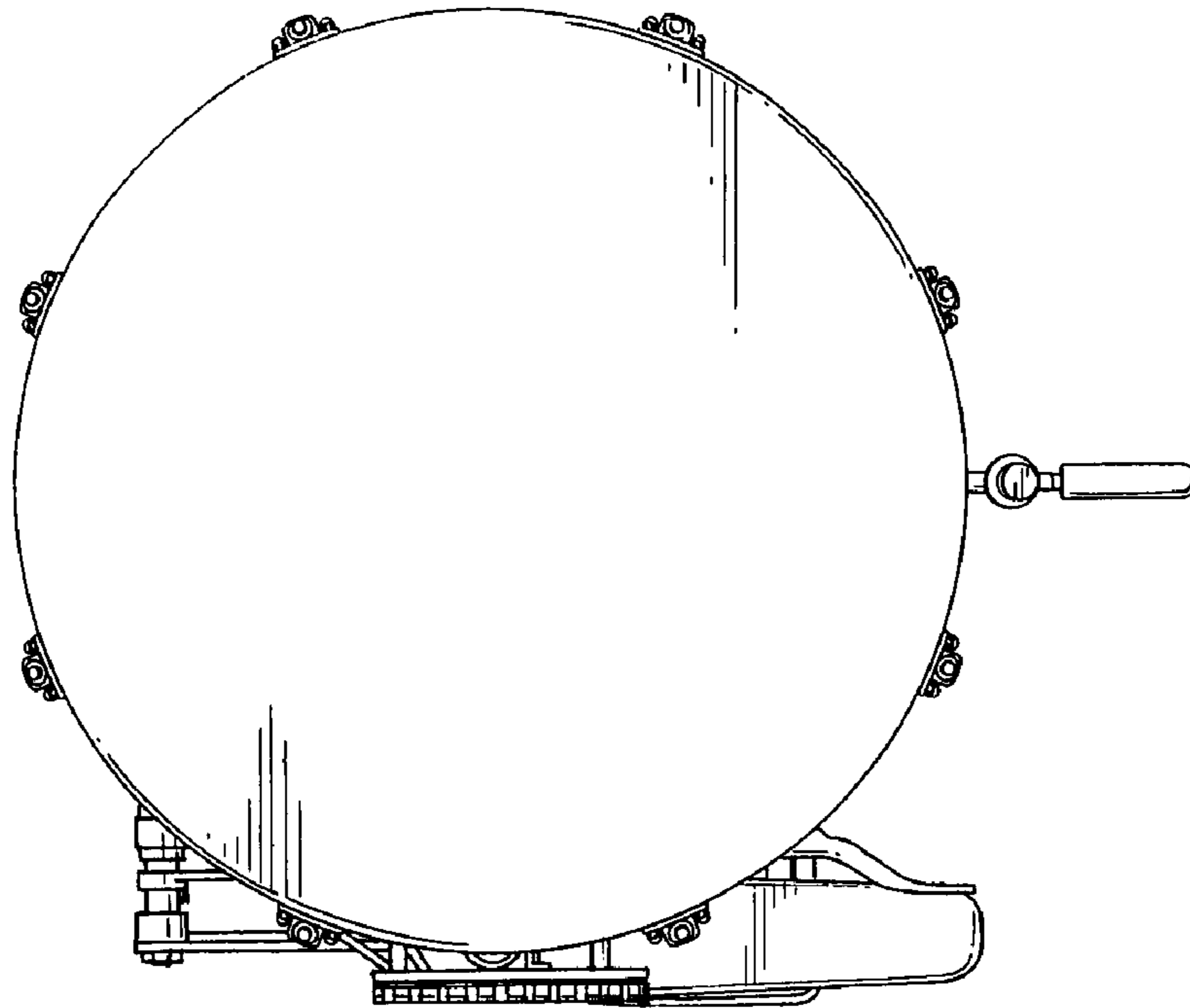


Fig. 6

