



US00D507589S

(12) **United States Design Patent**  
**Ito**

(10) **Patent No.:** **US D507,589 S**  
(45) **Date of Patent:** **\*\* Jul. 19, 2005**

(54) **ELECTRONIC DRUM**

(75) Inventor: **Masafumi Ito**, Shizuoka (JP)

(73) Assignee: **Yamaha Corporation**, Shizuoka (JP)

(\*\*) Term: **14 Years**

(21) Appl. No.: **29/196,441**

(22) Filed: **Dec. 31, 2003**

(30) **Foreign Application Priority Data**

Jul. 1, 2003 (JP) ..... 2003-018903

(51) **LOC (8) Cl.** ..... **17-04**

(52) **U.S. Cl.** ..... **D17/22**

(58) **Field of Search** ..... D17/22, 99; D21/405;  
84/411 R, 411 P, 723, 724, 730, 731-733

(56) **References Cited**

**U.S. PATENT DOCUMENTS**

4,648,302 A \* 3/1987 Bozzio ..... 84/730  
D319,650 S \* 9/1991 Hart ..... D17/22  
5,105,710 A 4/1992 Rothmel  
D350,762 S \* 9/1994 Ohno ..... D17/22

5,583,307 A \* 12/1996 Tobia, Jr. .... 84/411 R  
6,102,358 A \* 8/2000 McLeary ..... 84/411 R  
6,828,494 B2 \* 12/2004 Toda ..... 84/411 R

\* cited by examiner

*Primary Examiner*—Adir Aronovich

(74) *Attorney, Agent, or Firm*—Sughrue Mion, PLLC

(57) **CLAIM**

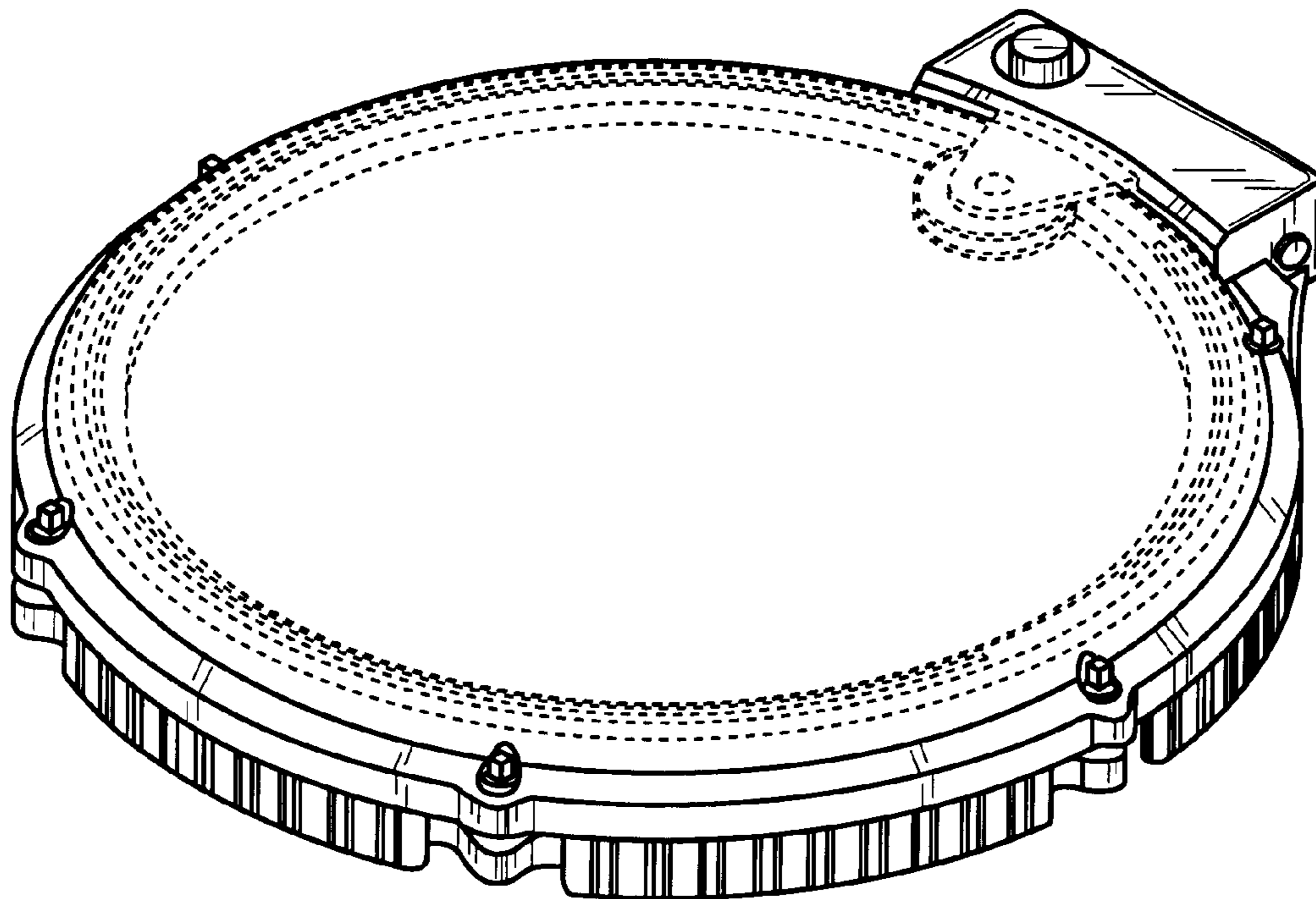
The ornamental design for a electronic drum, as shown and described.

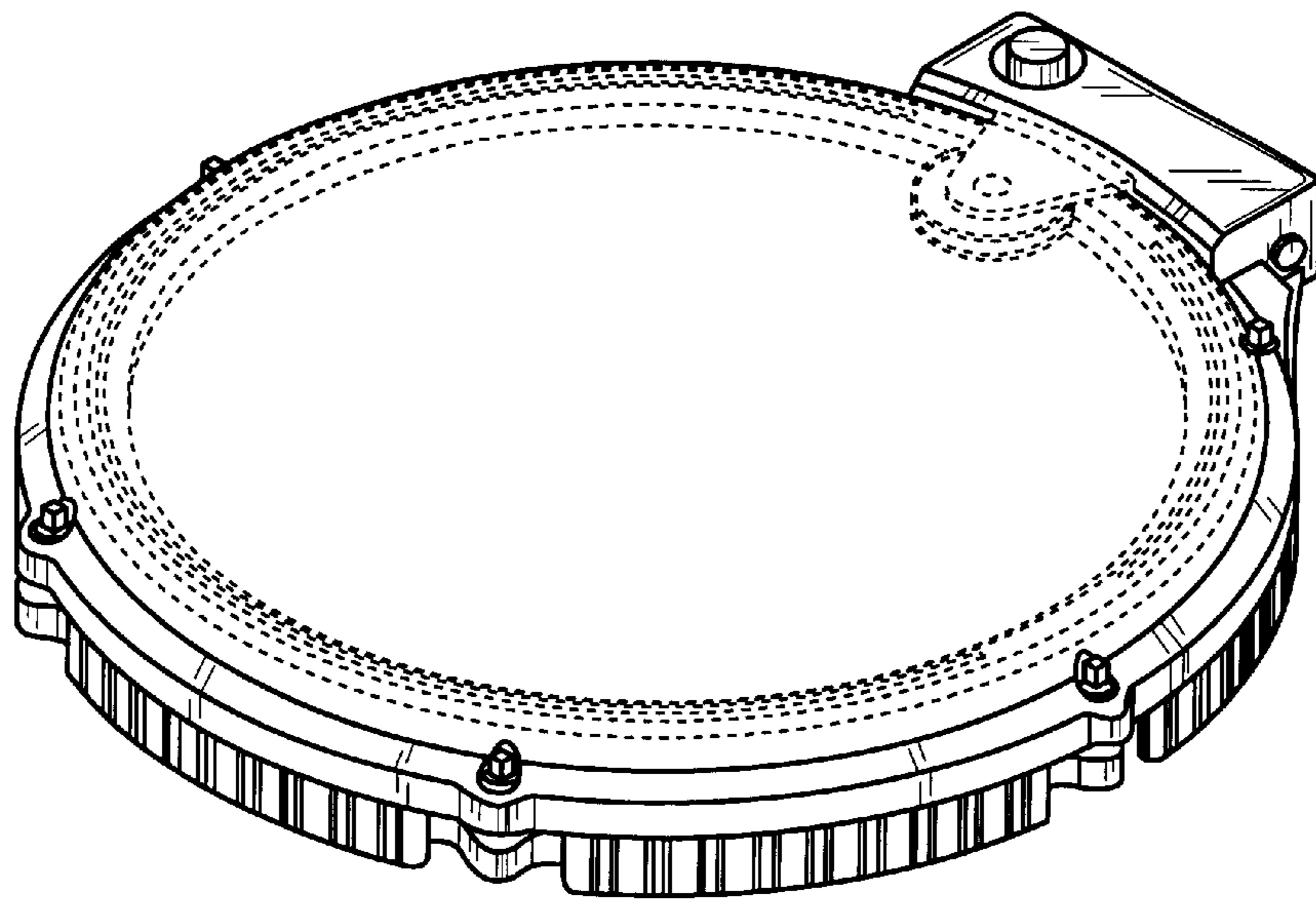
**DESCRIPTION**

FIG. 1 is a perspective view of the top, front and right side of an electronic drum showing my new design; FIG. 2 is a front elevational view thereof; FIG. 3 is a rear elevational view thereof; FIG. 4 is a right side elevational view thereof; FIG. 5 is a left side elevational view thereof; FIG. 6 is a top plan view thereof; and, FIG. 7 is a bottom plan view thereof.

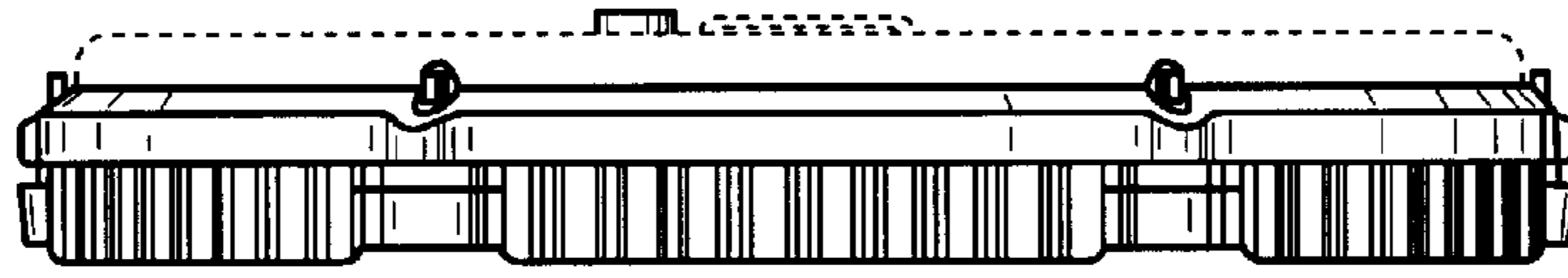
The portions of the drum in broken lines are shown for illustrative purposes only and form no part of the claimed design.

**1 Claim, 3 Drawing Sheets**

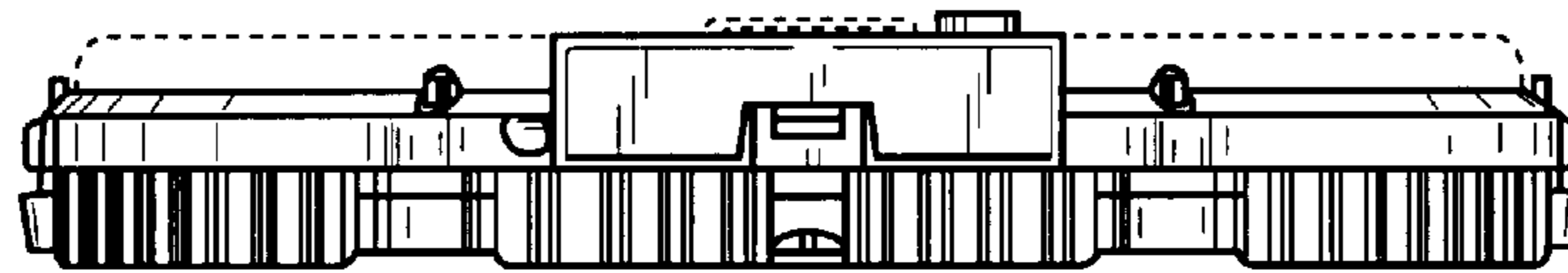




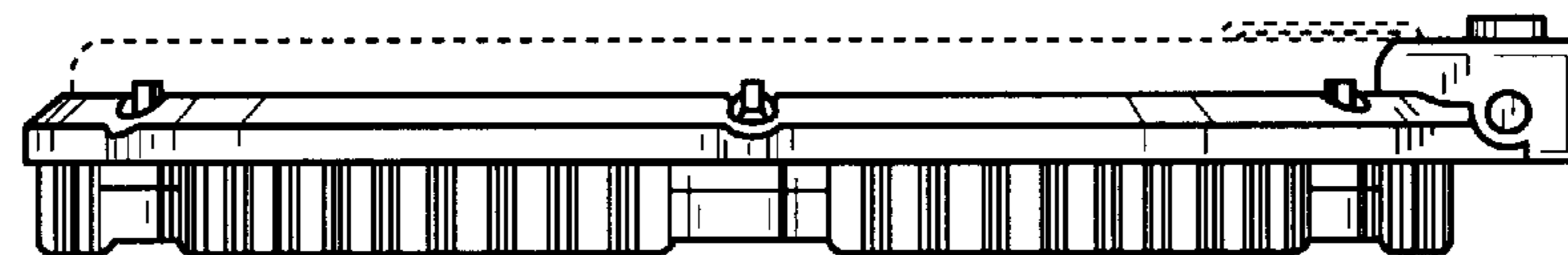
*Fig. 1*



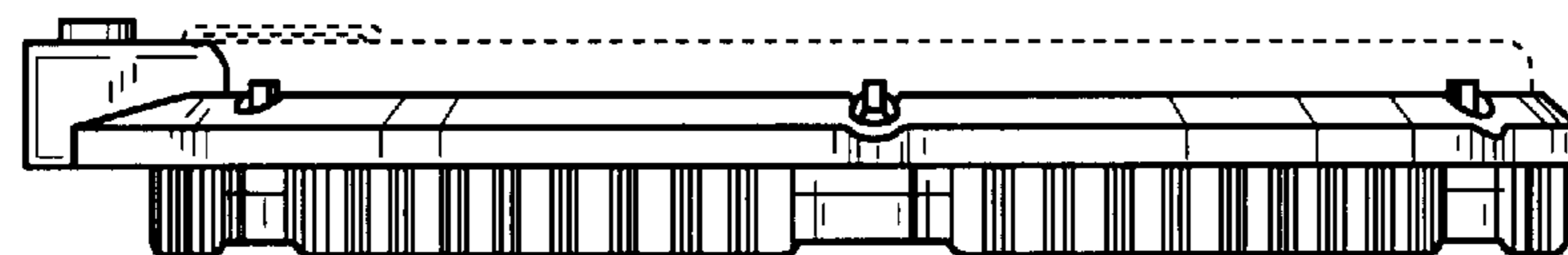
*Fig. 2*



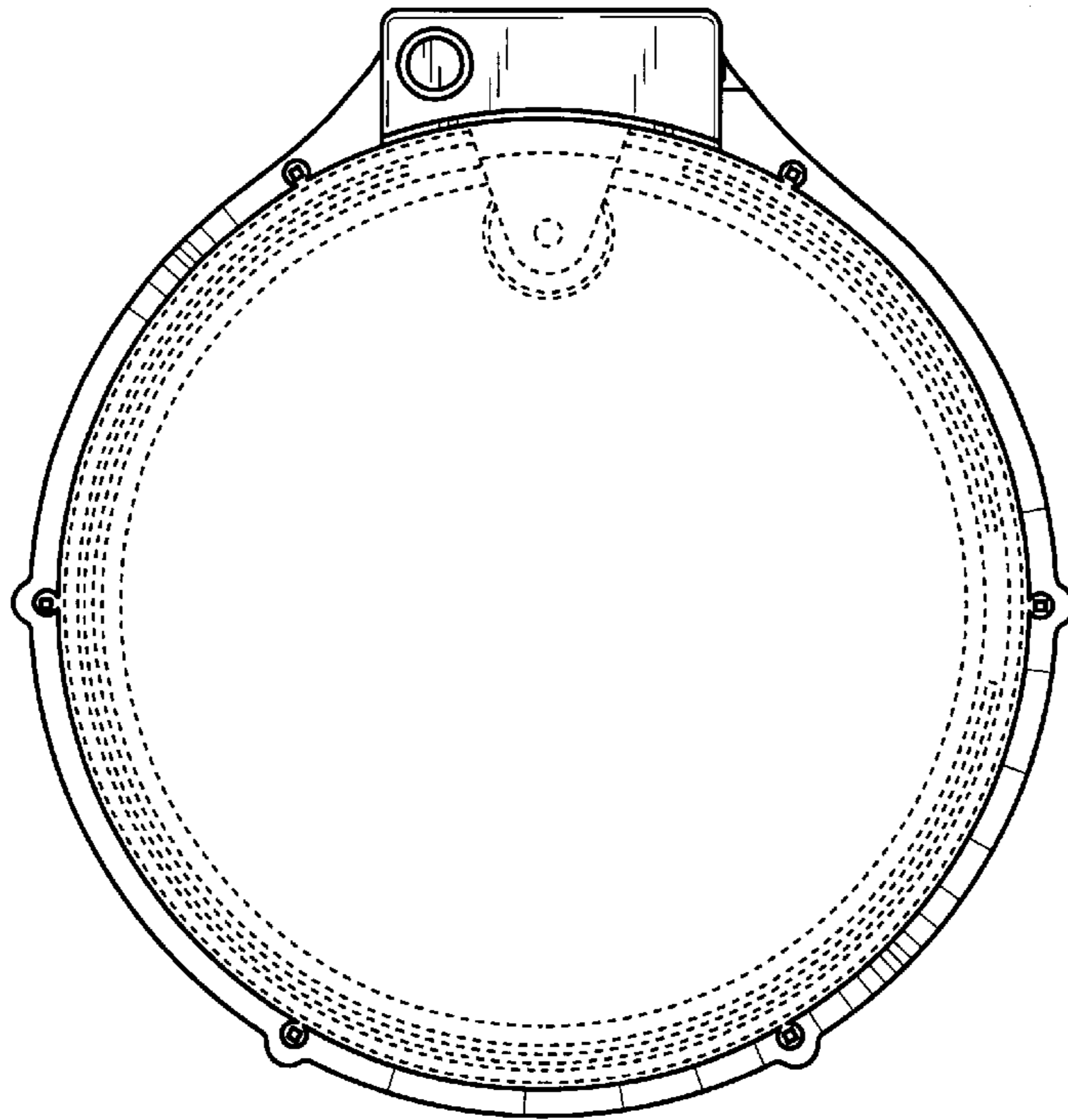
*Fig. 3*



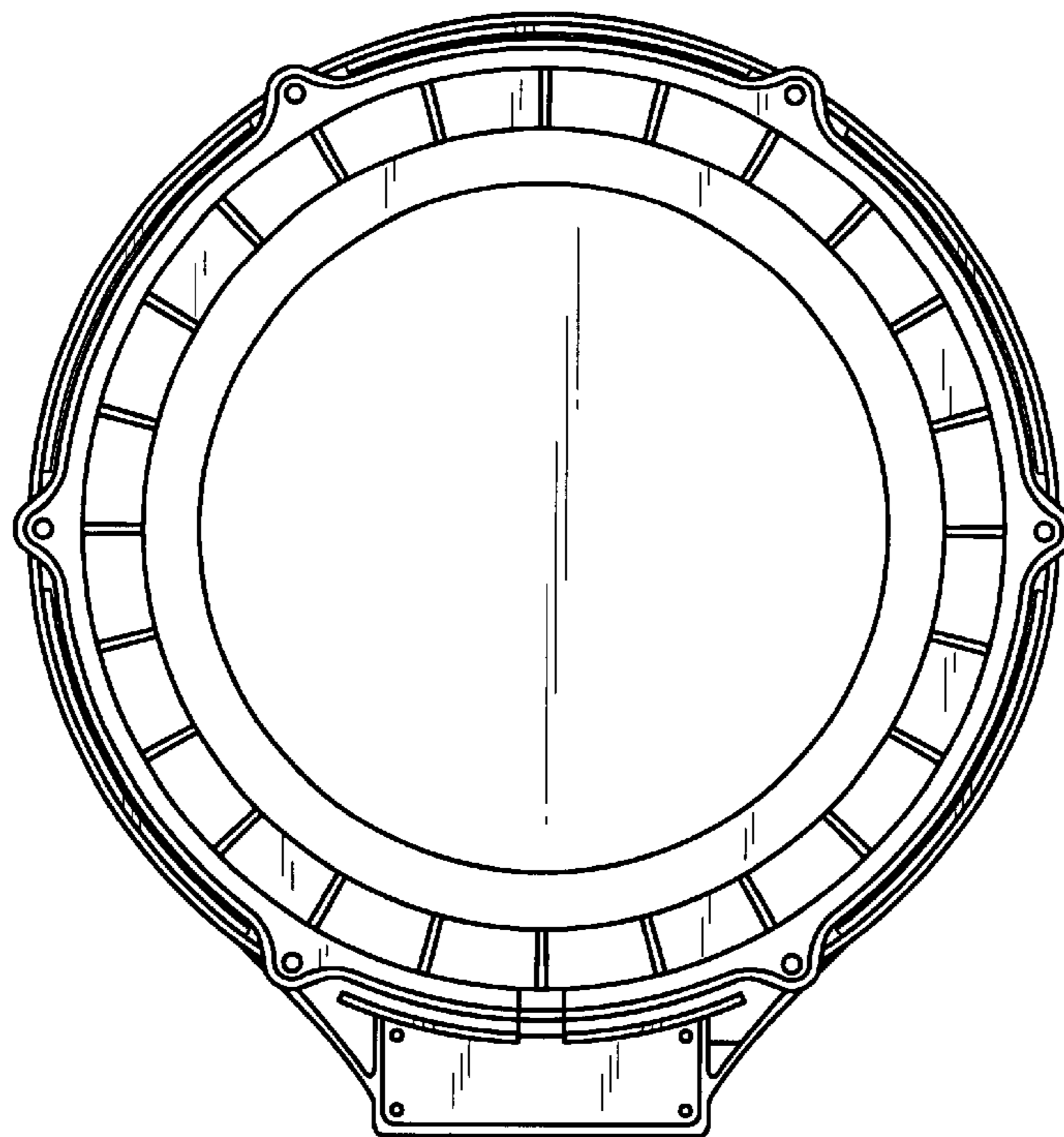
*Fig. 4*



*Fig. 5*



*Fig. 6*



*Fig. 7*