



US00D507588S

(12) **United States Design Patent**  
**Cummings et al.**

(10) **Patent No.:** **US D507,588 S**

(45) **Date of Patent:** **\*\* Jul. 19, 2005**

(54) **UNDERWATER CAMERA**

(75) **Inventors:** **Duane Edward Cummings,**  
Monticello, MN (US); **Paul Walbridge**  
**Thorne, III,** Ham Lake, MN (US);  
**Raphael John Marzean,** Saint Michael,  
MN (US)

(73) **Assignee:** **MarCum Technologies,** Anoka, MN  
(US)

(\*\*) **Term:** **14 Years**

(21) **Appl. No.:** **29/208,605**

(22) **Filed:** **Jun. 30, 2004**

(51) **LOC (8) Cl.** ..... **16-01**

(52) **U.S. Cl.** ..... **D16/204**

(58) **Field of Search** ..... D16/200-205,  
D16/208, 218; 206/316.2; 348/81; 396/25-28

(56) **References Cited**

**U.S. PATENT DOCUMENTS**

3,827,069 A \* 7/1974 Stowell ..... 396/27

D318,057 S \* 7/1991 Kneebone ..... D16/204  
6,064,824 A \* 5/2000 Rink ..... 396/25  
D448,787 S \* 10/2001 Shiotani ..... D16/218  
D489,387 S \* 5/2004 Zernov ..... D16/204

\* cited by examiner

*Primary Examiner*—Adir Aronovich

(74) *Attorney, Agent, or Firm*—Nikolai & Mersereau, P.A.

(57) **CLAIM**

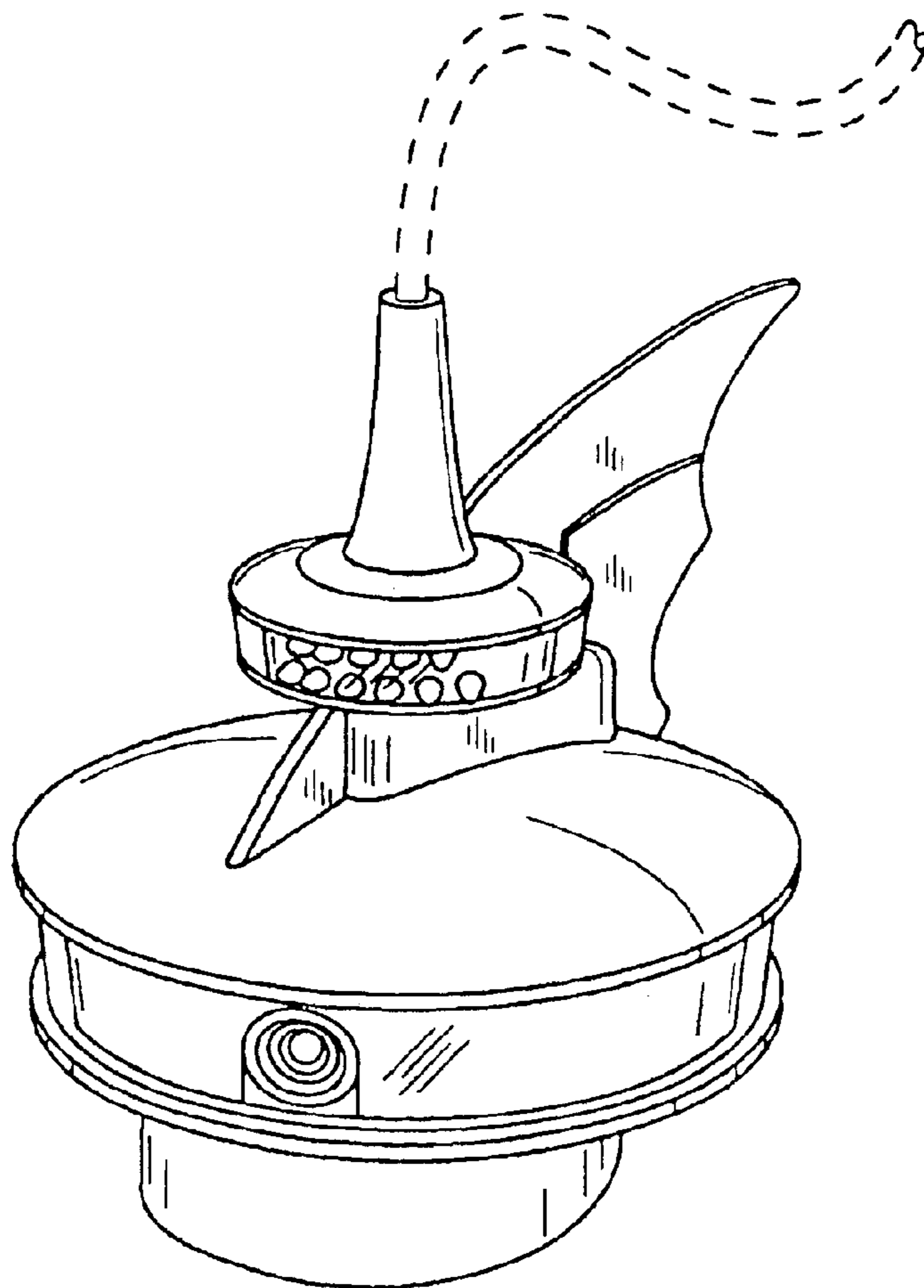
The ornamental design for an underwater camera, as shown and described.

**DESCRIPTION**

FIG. 1 is a perspective view of the underwater camera;  
FIG. 2 is a top view thereof;  
FIG. 3 is a bottom view thereof;  
FIG. 4 is a left side view thereof;  
FIG. 5 is a right side view thereof;  
FIG. 6 is a front view thereof; and,  
FIG. 7 is a back view thereof.

The broken line showing of a cable is for illustrative purposes only and forms no part of the claimed design.

**1 Claim, 4 Drawing Sheets**



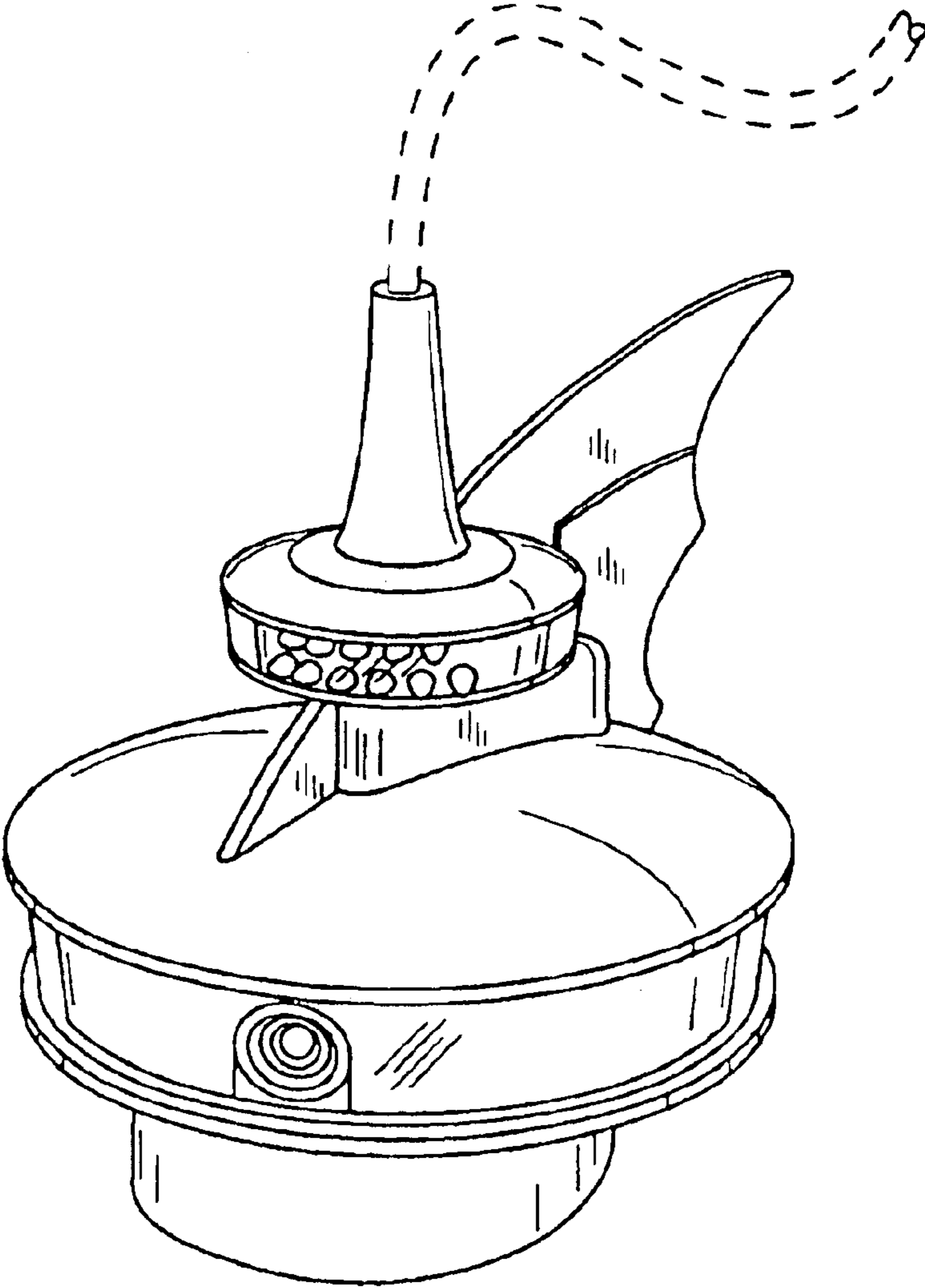


FIG. 1

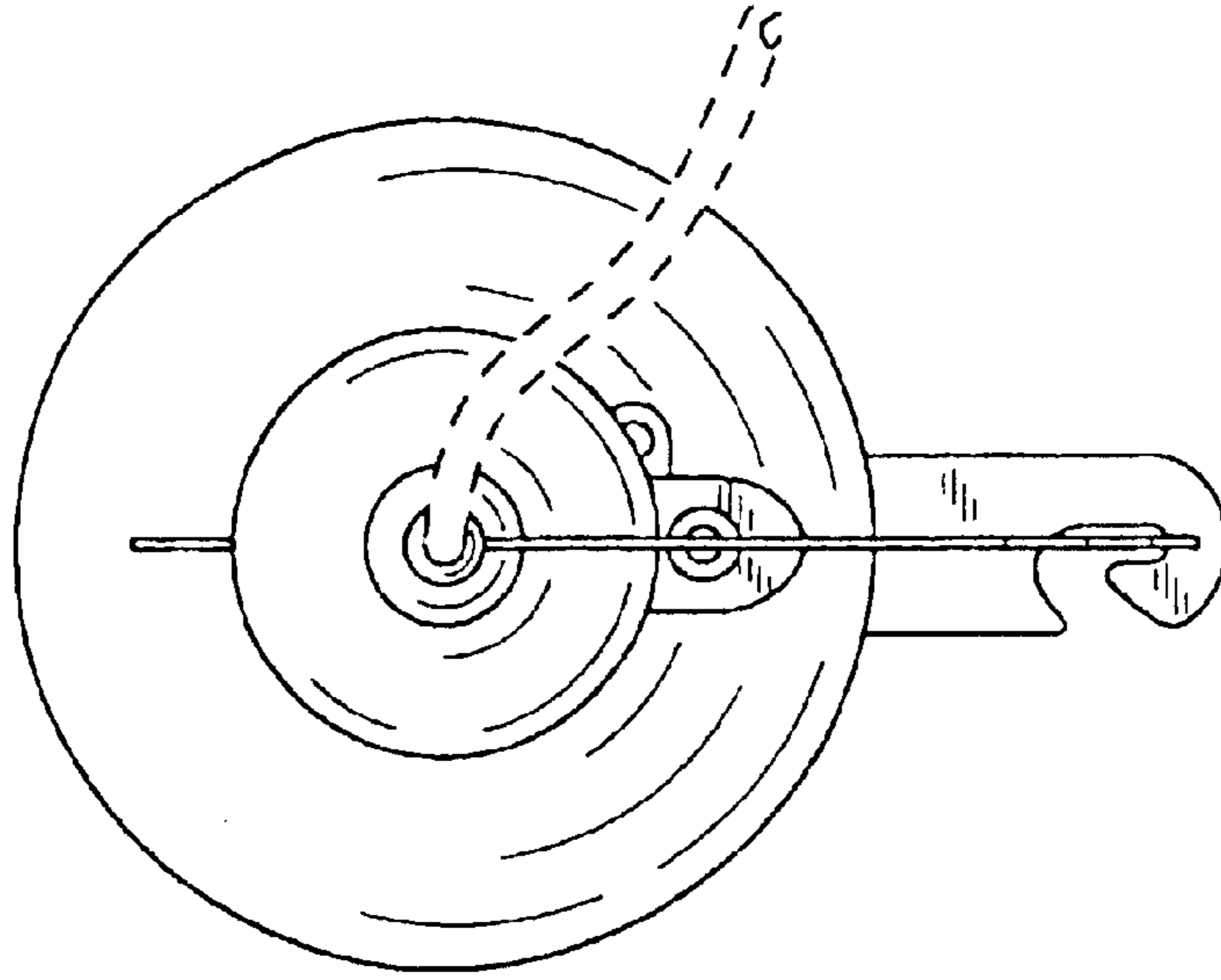


FIG. 2

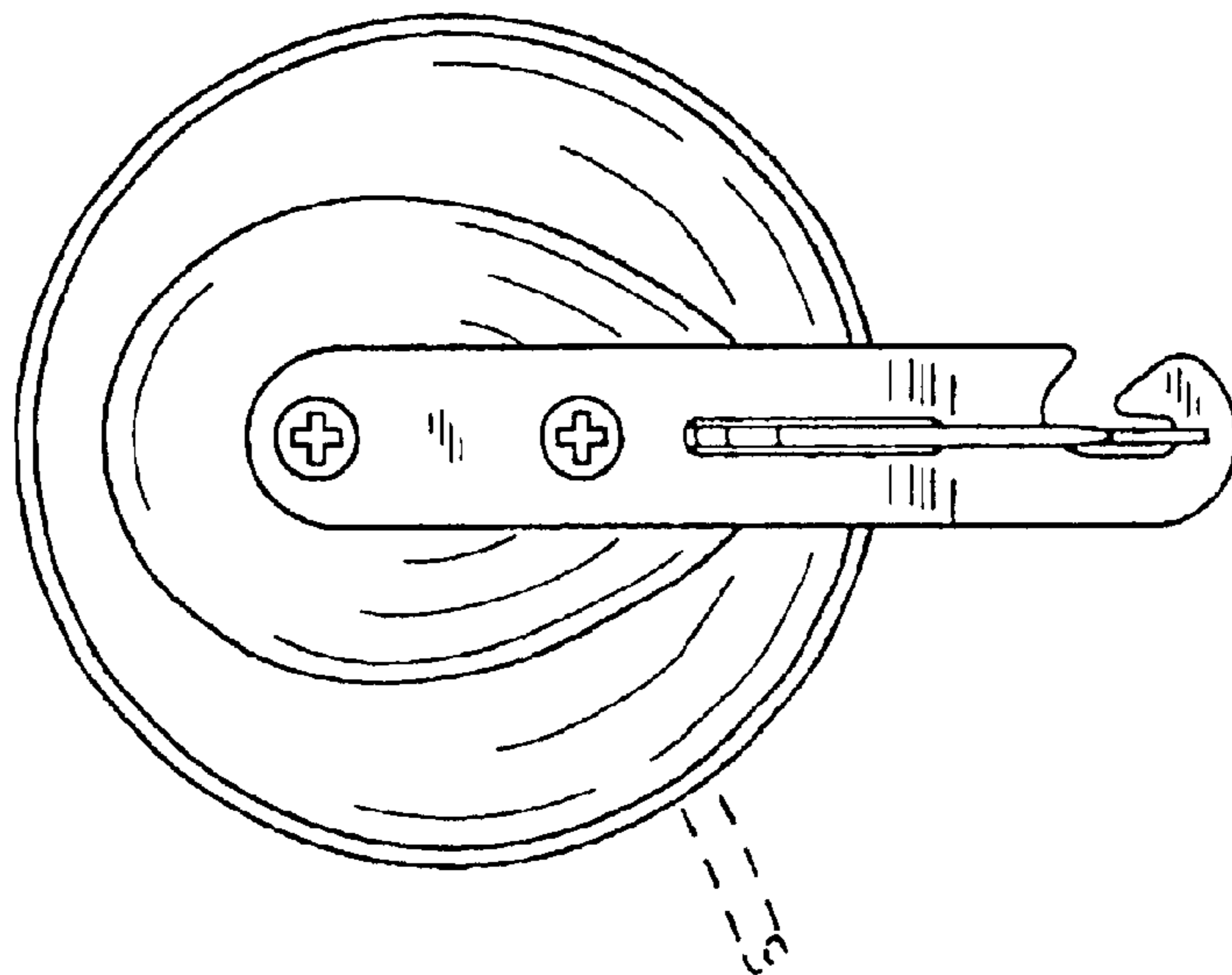


FIG. 3

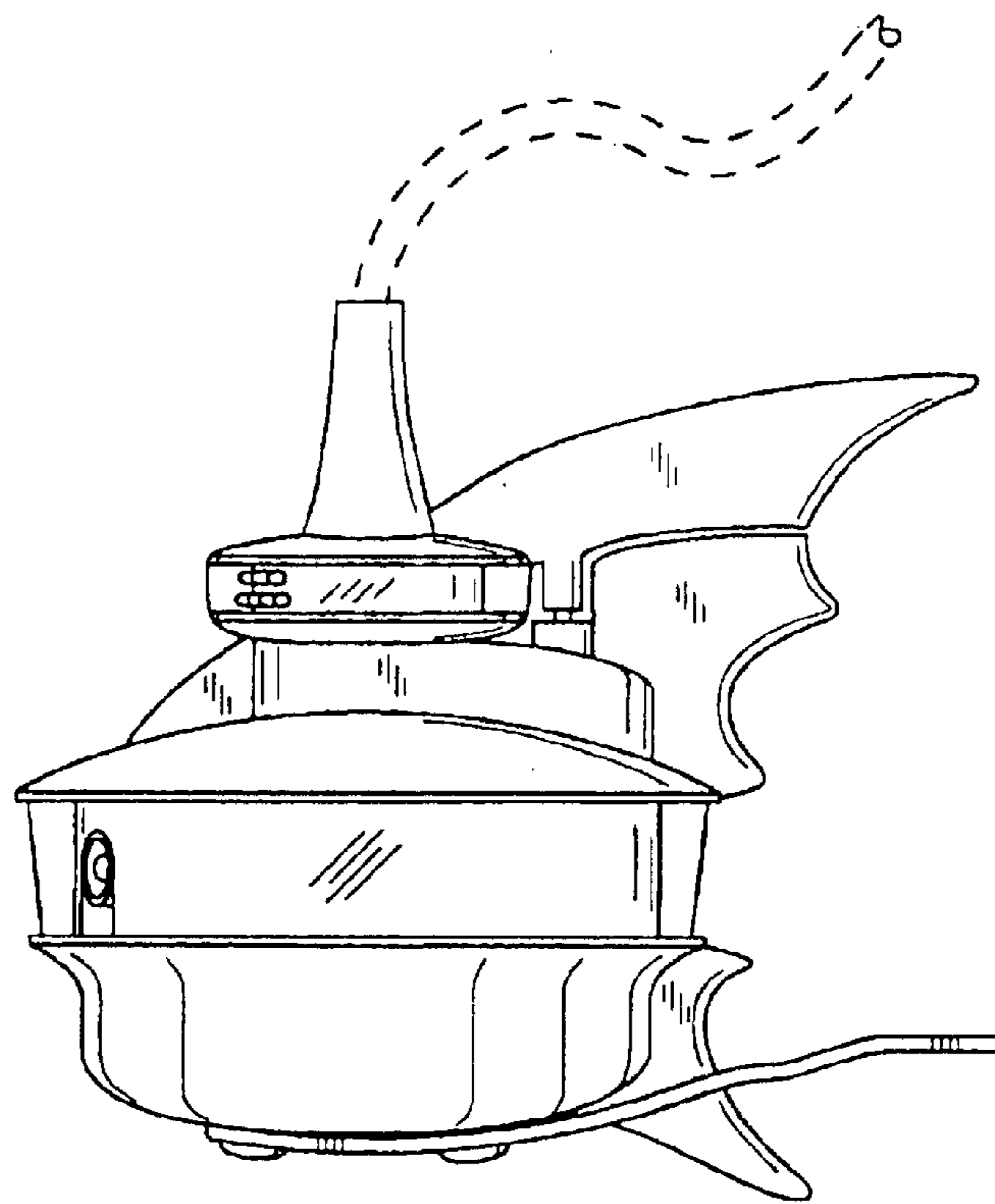


FIG. 4

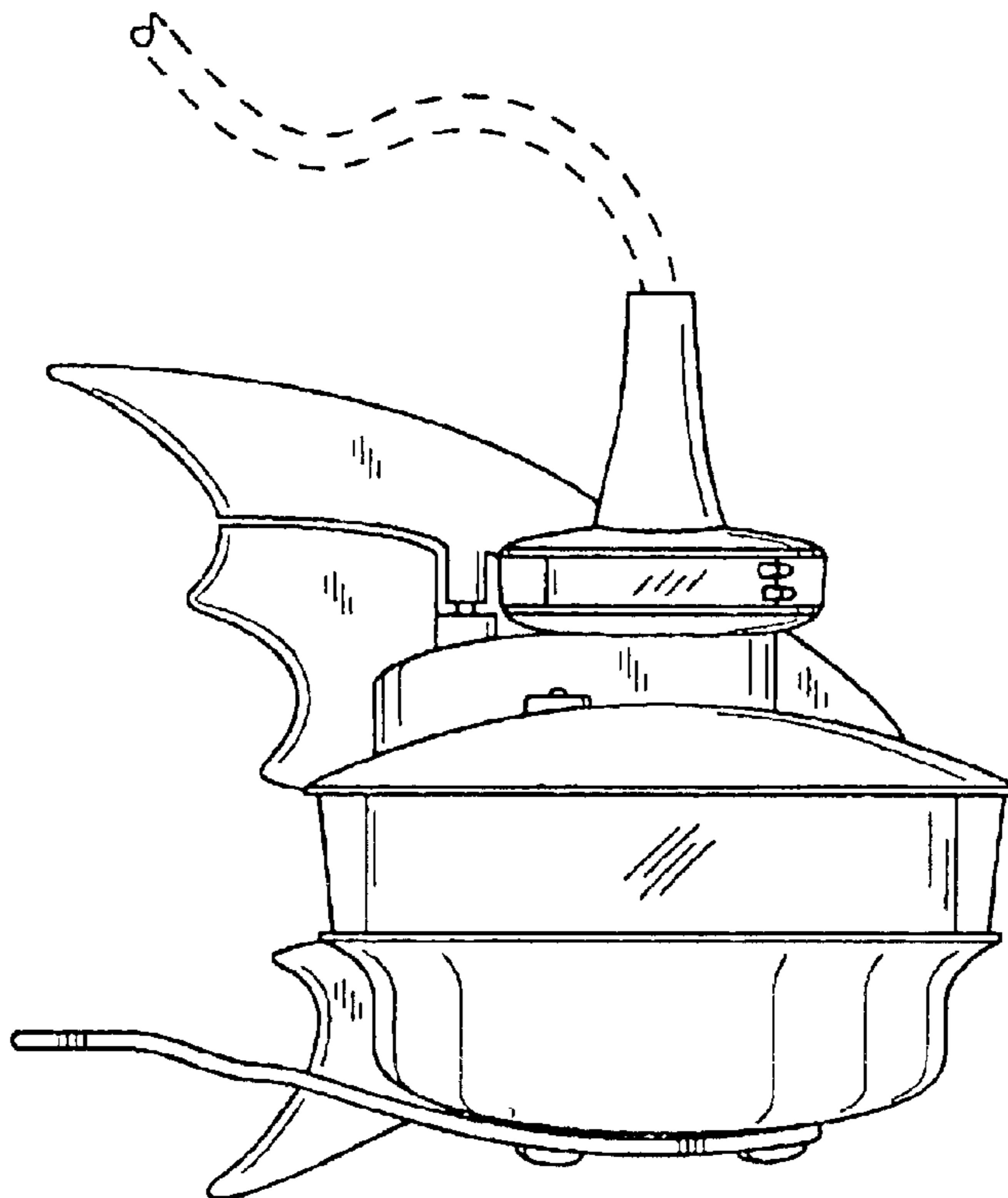


FIG. 5

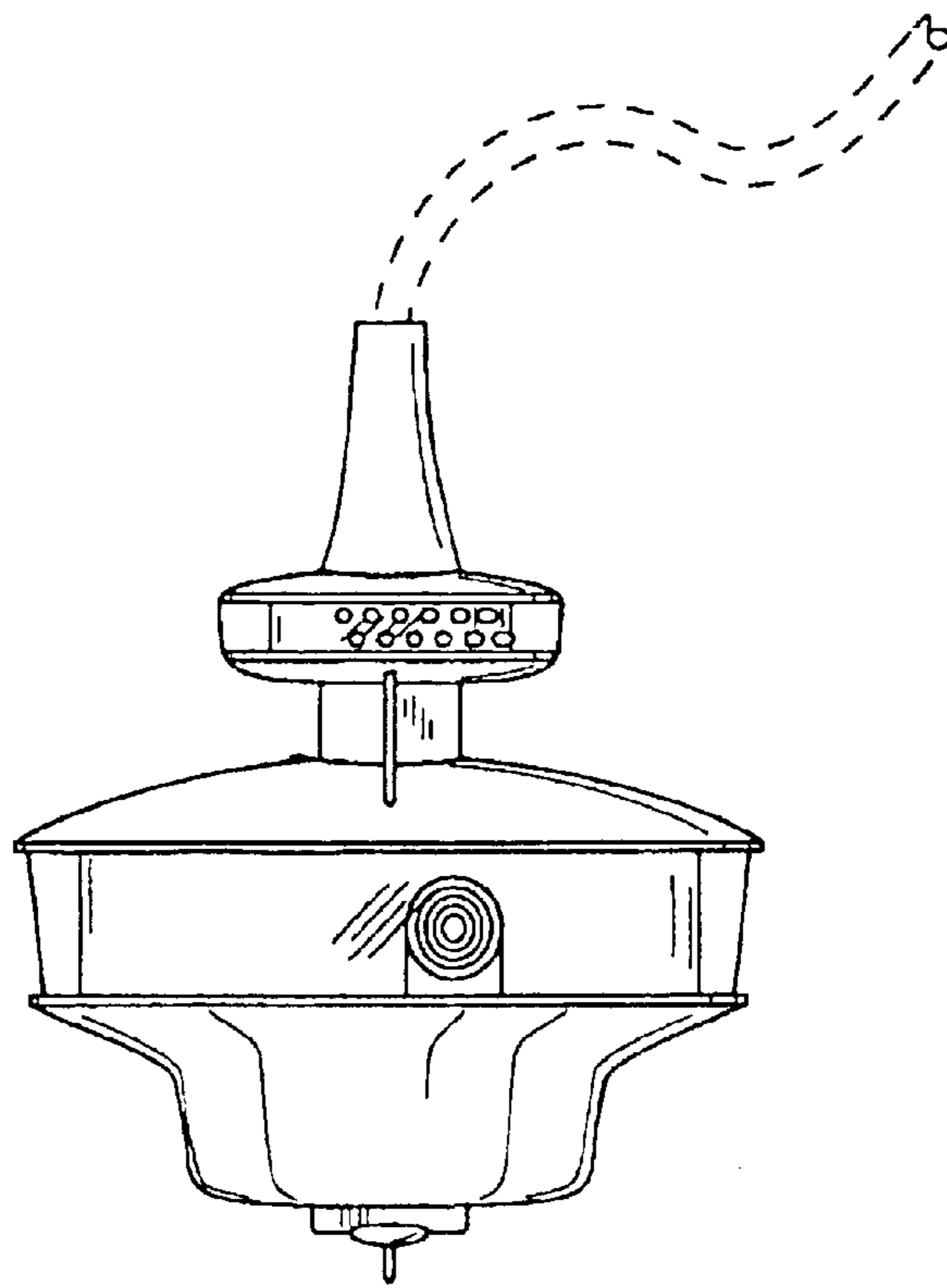


FIG. 6

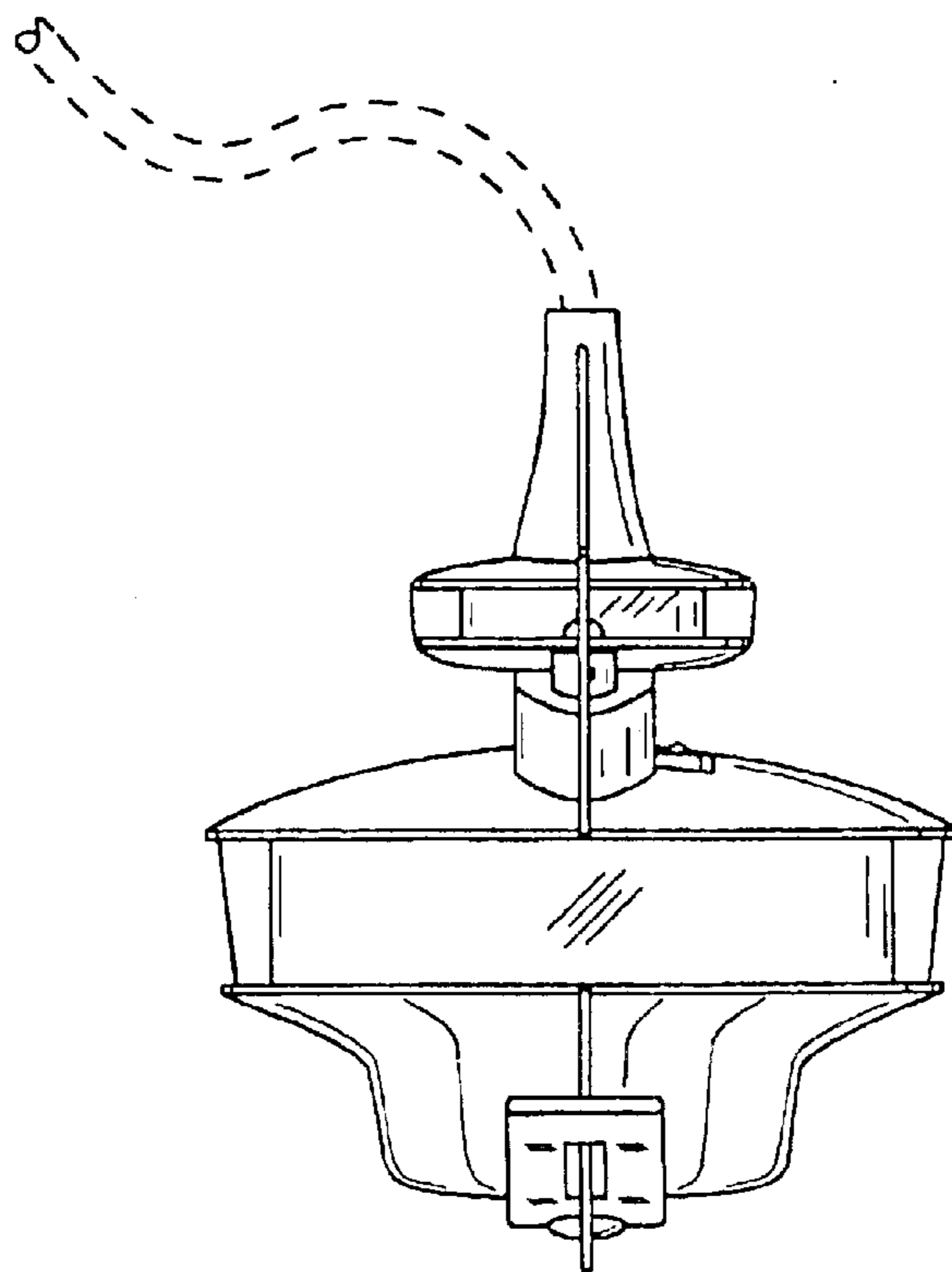


FIG. 7