



US00D507587S

(12) **United States Design Patent**
Su et al.

(10) **Patent No.:** **US D507,587 S**

(45) **Date of Patent:** **** Jul. 19, 2005**

(54) **DIGITAL CAMERA**

(75) Inventors: **Chih-Chung Su**, Chu Pei (TW);
Fei-Peng Chang, Hsin Chu (TW)

(73) Assignee: **Aiptek International Inc.**, Hsinchu (TW)

(**) Term: **14 Years**

(21) Appl. No.: **29/207,839**

(22) Filed: **Jun. 21, 2004**

(51) **LOC (8) Cl.** **16-01**

(52) **U.S. Cl.** **D16/202**

(58) **Field of Search** D16/200-206,
D16/208, 218; 348/373-376; 358/906, 909.1;
396/535-541

(56) **References Cited**

U.S. PATENT DOCUMENTS

D401,257 S	*	11/1998	Iino	D16/202
D412,003 S	*	7/1999	Sumida et al.	D16/202
D448,785 S	*	10/2001	Chou	D16/202
D464,071 S	*	10/2002	Liu	D16/202

D499,437 S	*	12/2004	Miyamori et al.	D16/202
6,842,193 B2	*	1/2005	Shimose	348/373
2001/0012065 A1	*	8/2001	Ejima et al.	348/373

* cited by examiner

Primary Examiner—Adir Aronovich

(74) *Attorney, Agent, or Firm*—Troxell Law Office, PLLC

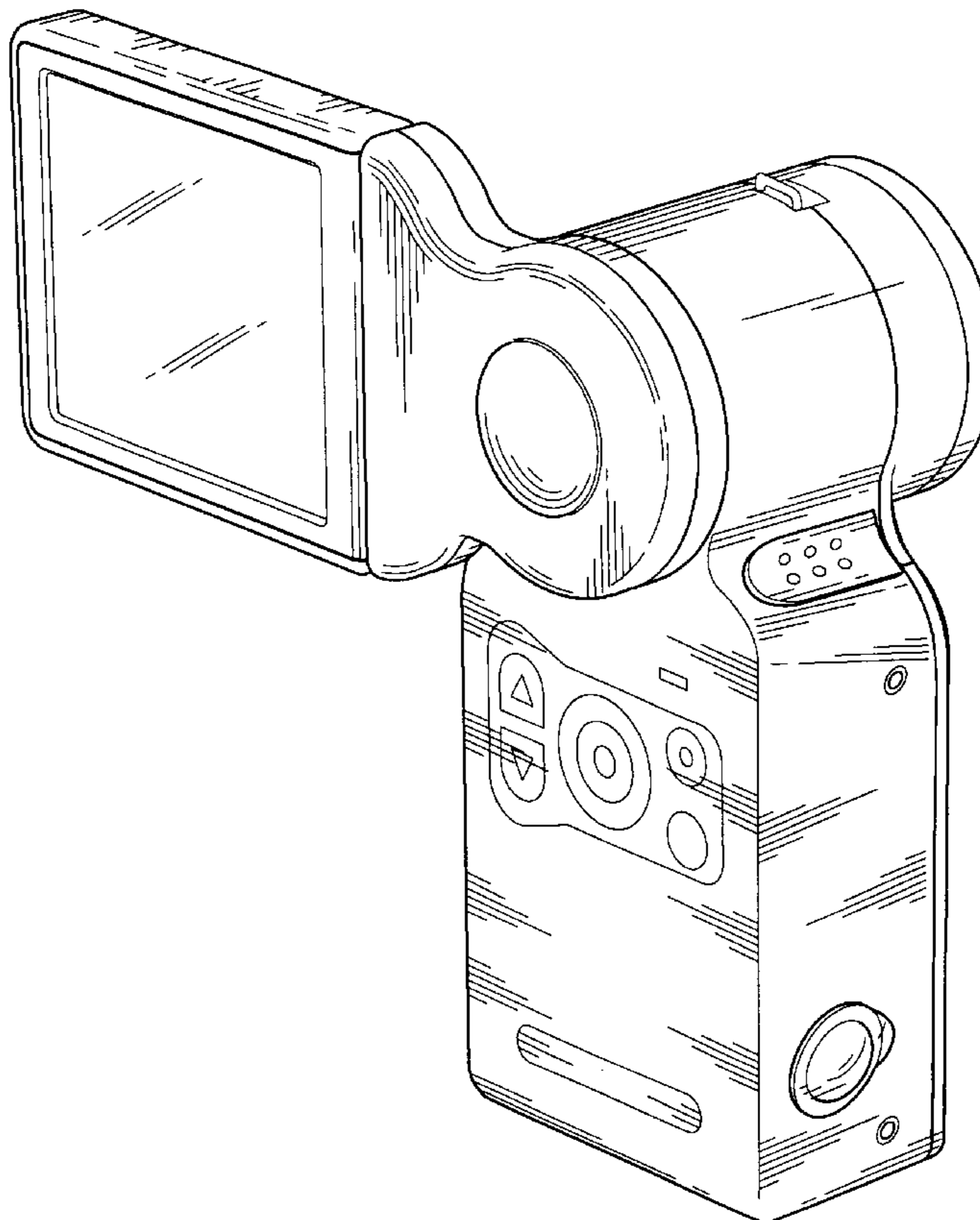
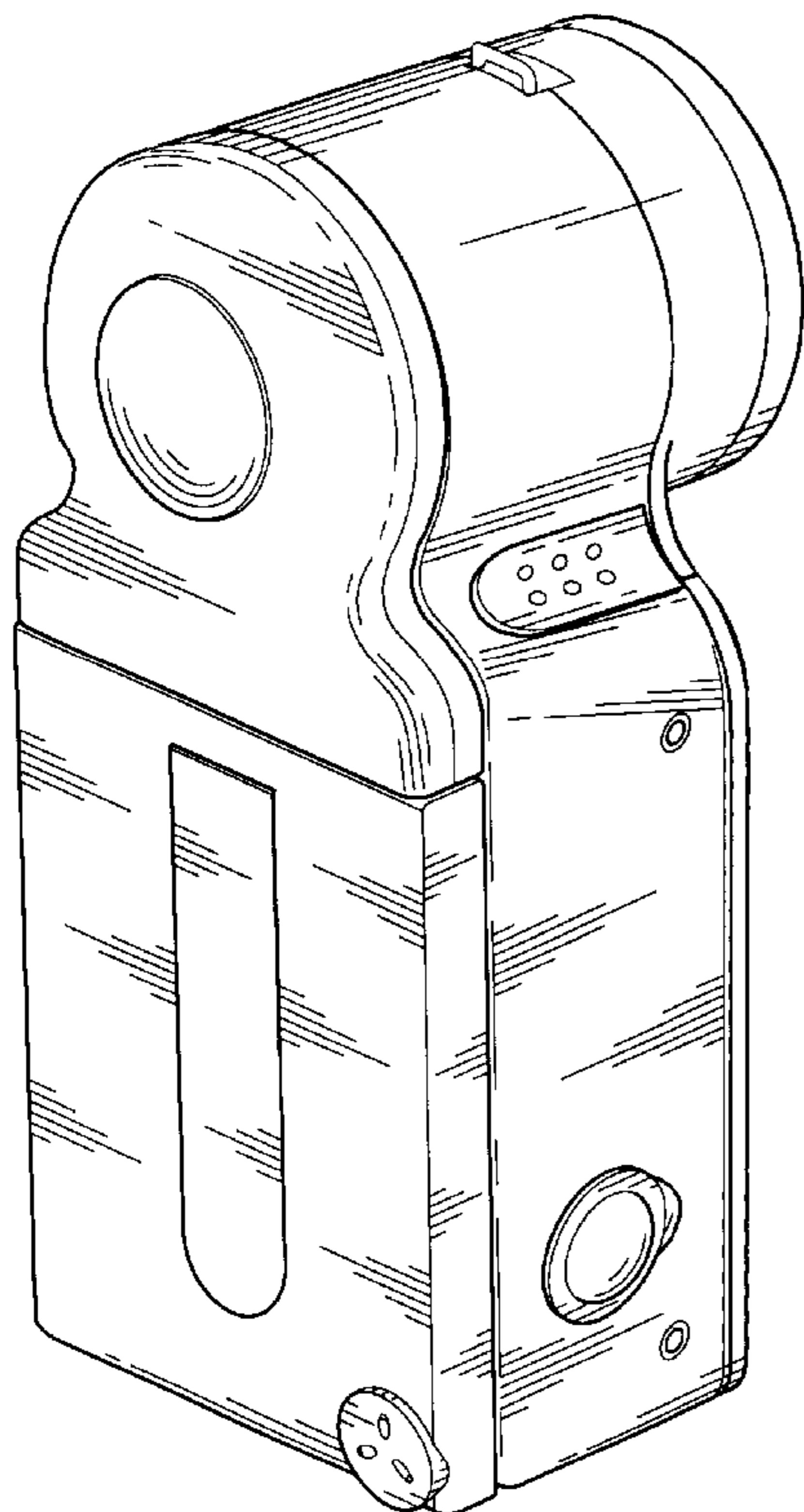
(57) **CLAIM**

The ornamental design for a digital camera, as shown and described.

DESCRIPTION

FIG. 1 is a perspective view of a digital camera showing my new design;
FIG. 2 is a front view thereof;
FIG. 3 is a rear view thereof;
FIG. 4 is a left side view thereof;
FIG. 5 is a right side view thereof;
FIG. 6 is a top view thereof;
FIG. 7 is a bottom view thereof; and,
FIG. 8 is a perspective view showing the practical usage thereof.

1 Claim, 5 Drawing Sheets



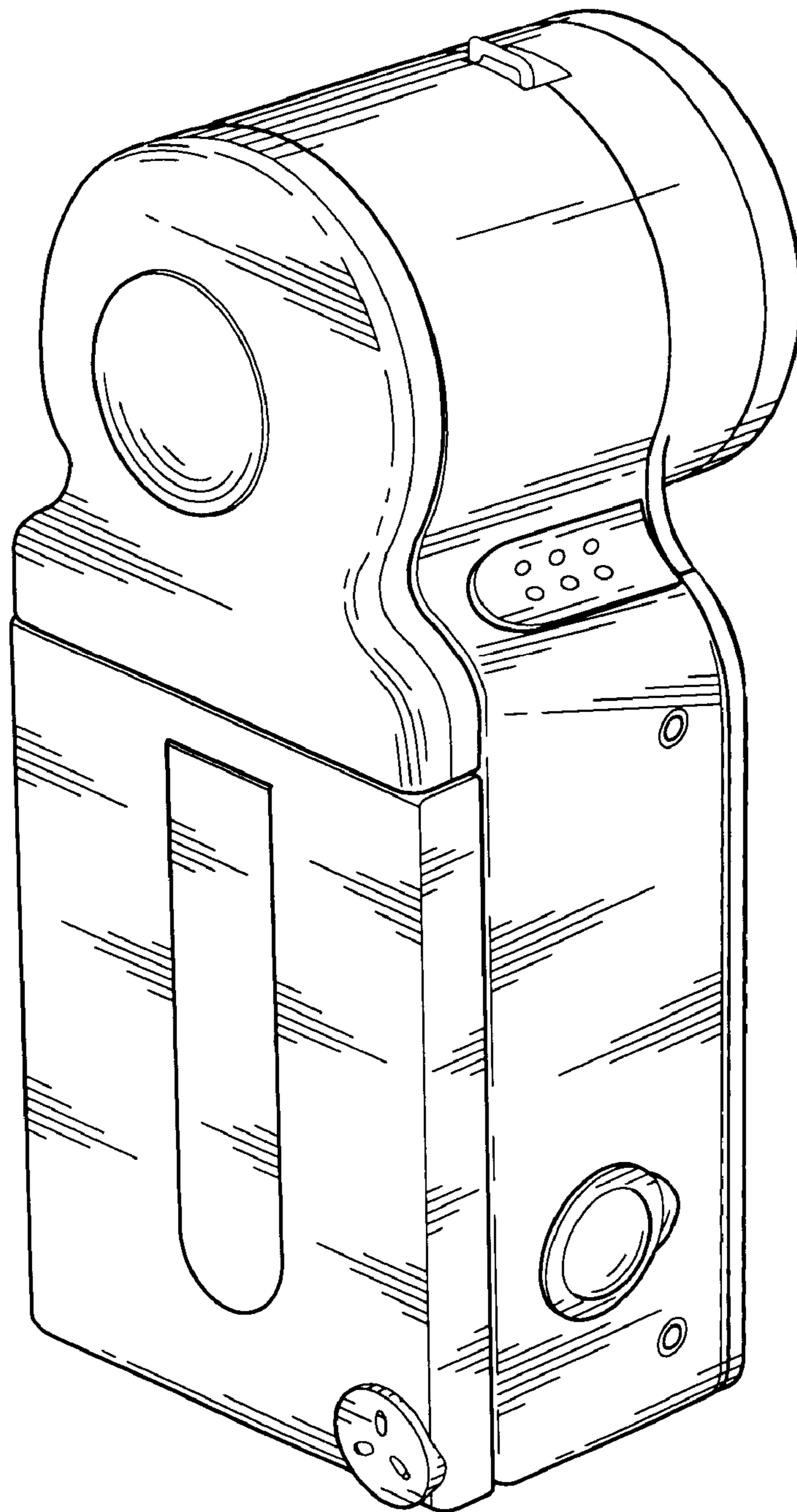


FIG. 1

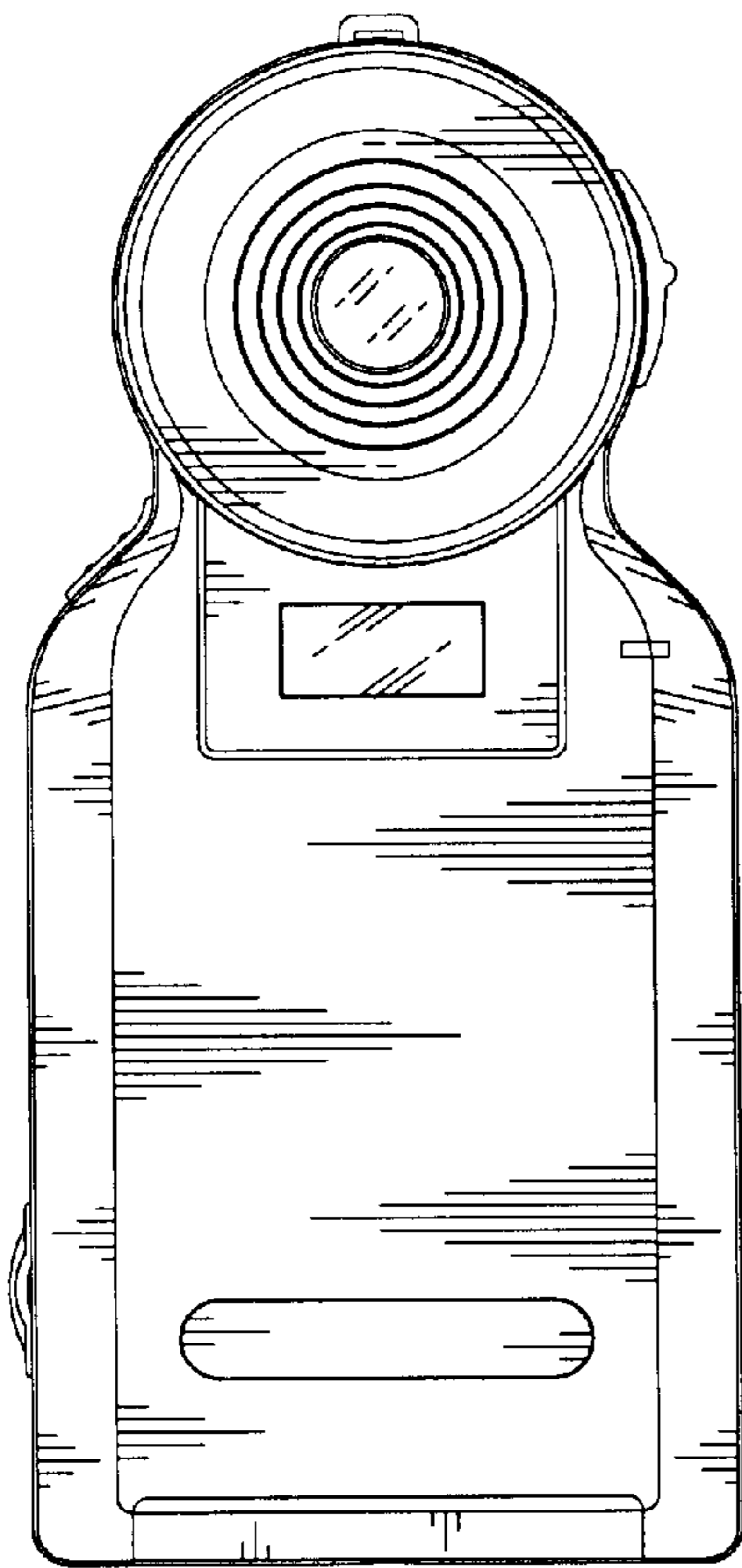


FIG. 2

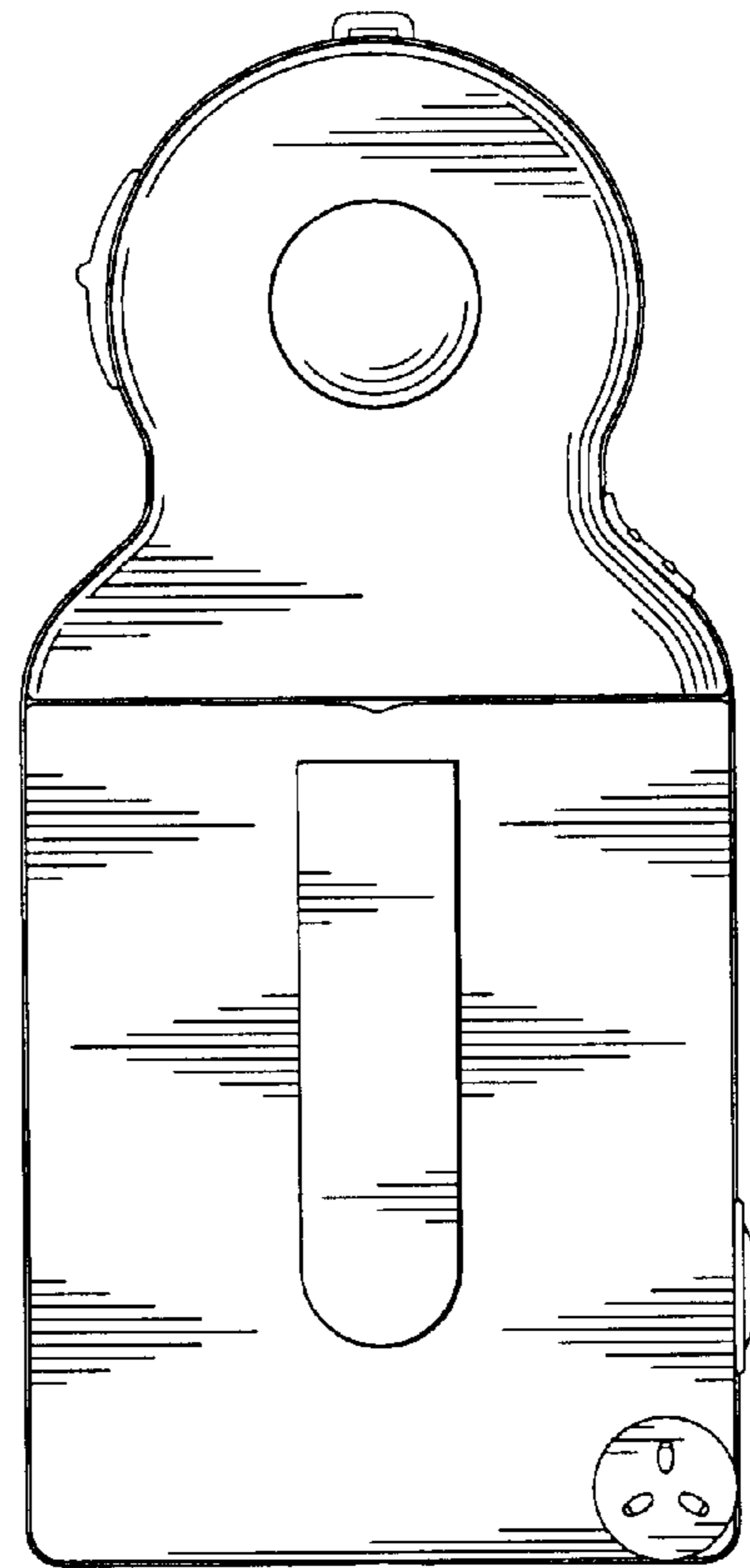


FIG. 3

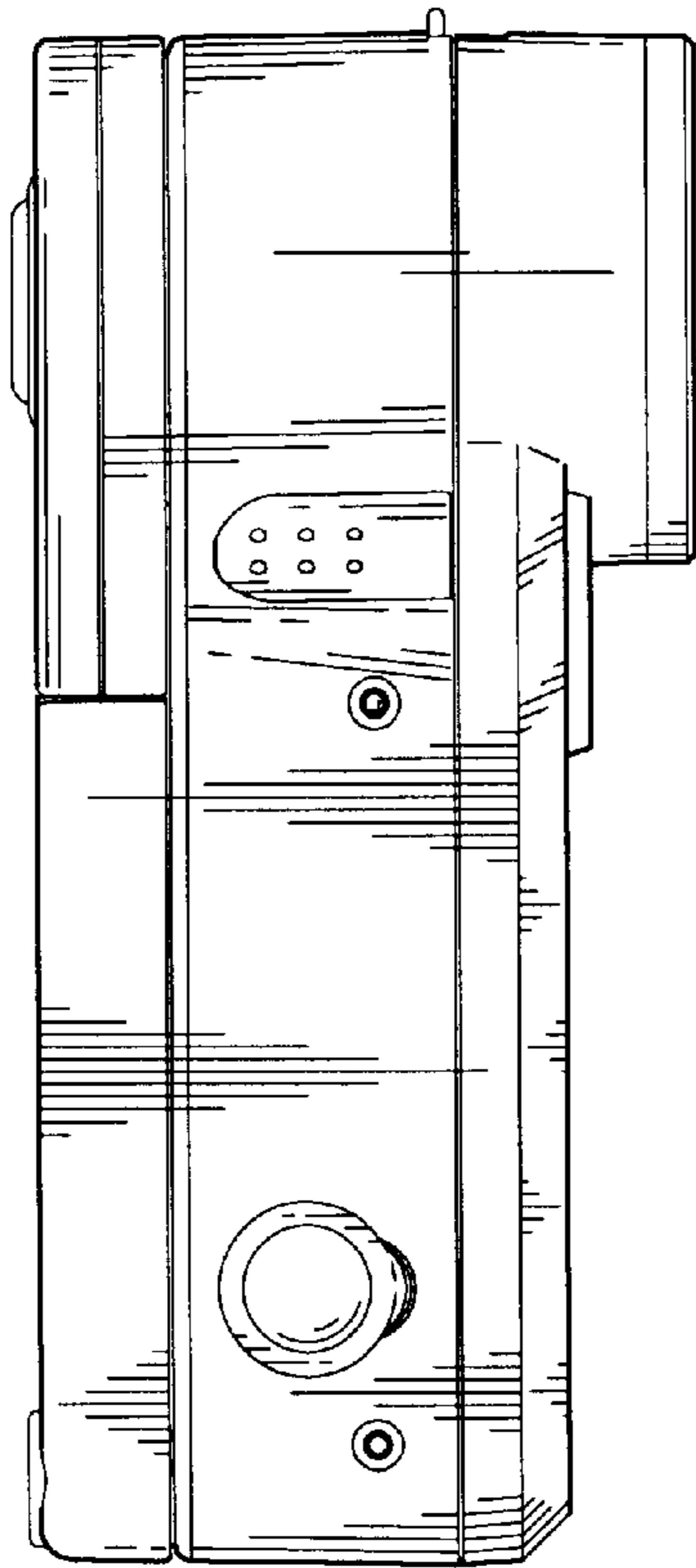


FIG. 4

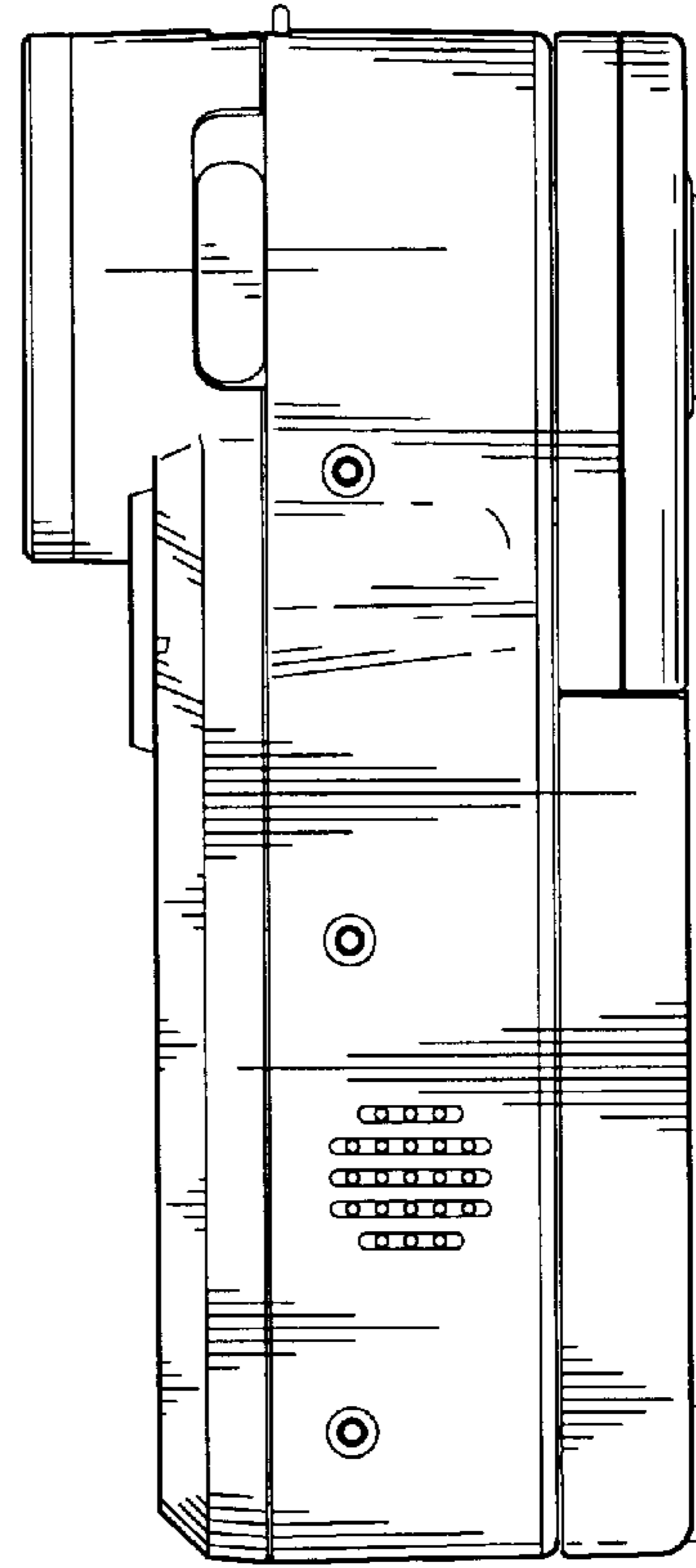


FIG. 5

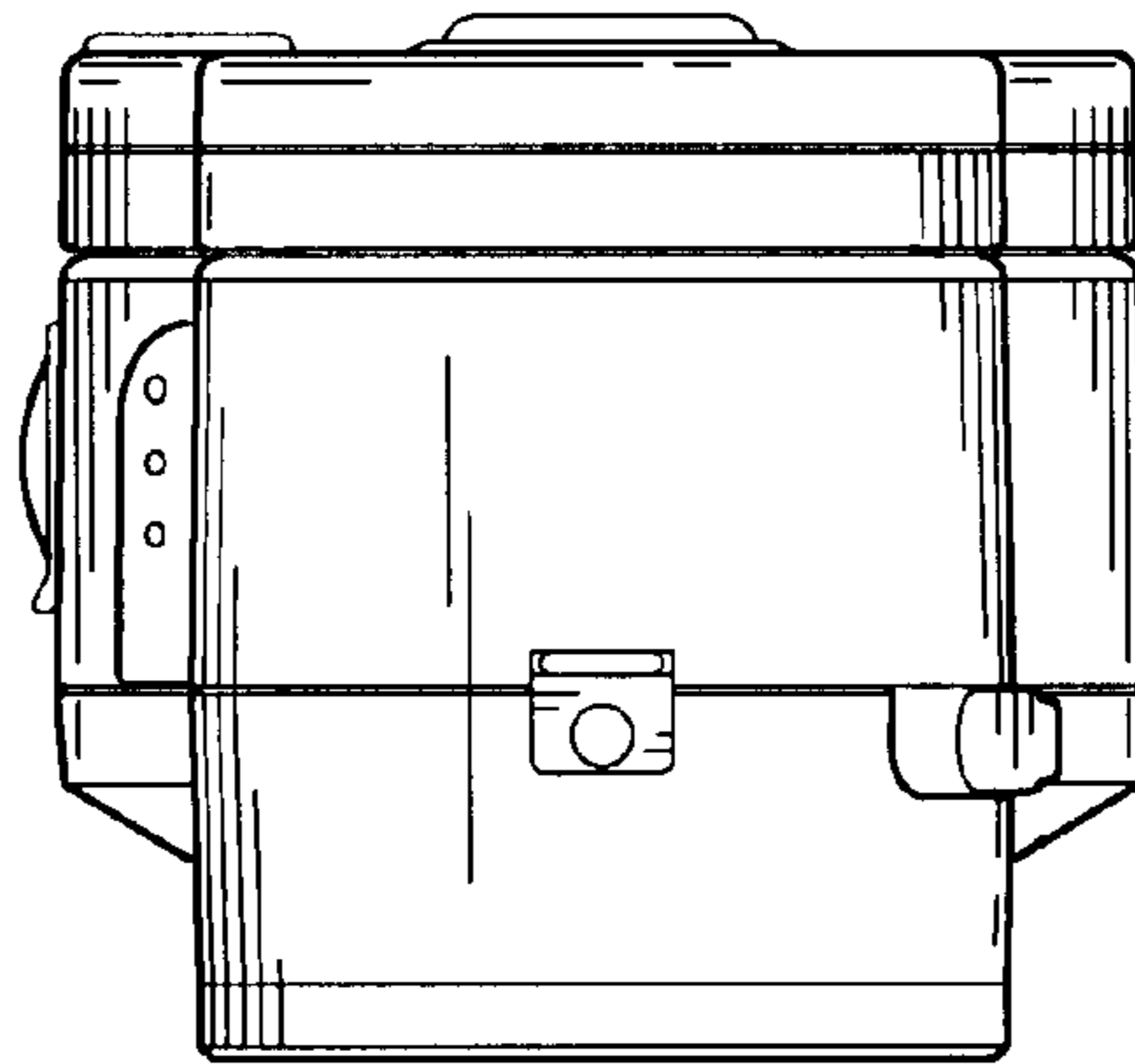


FIG. 6

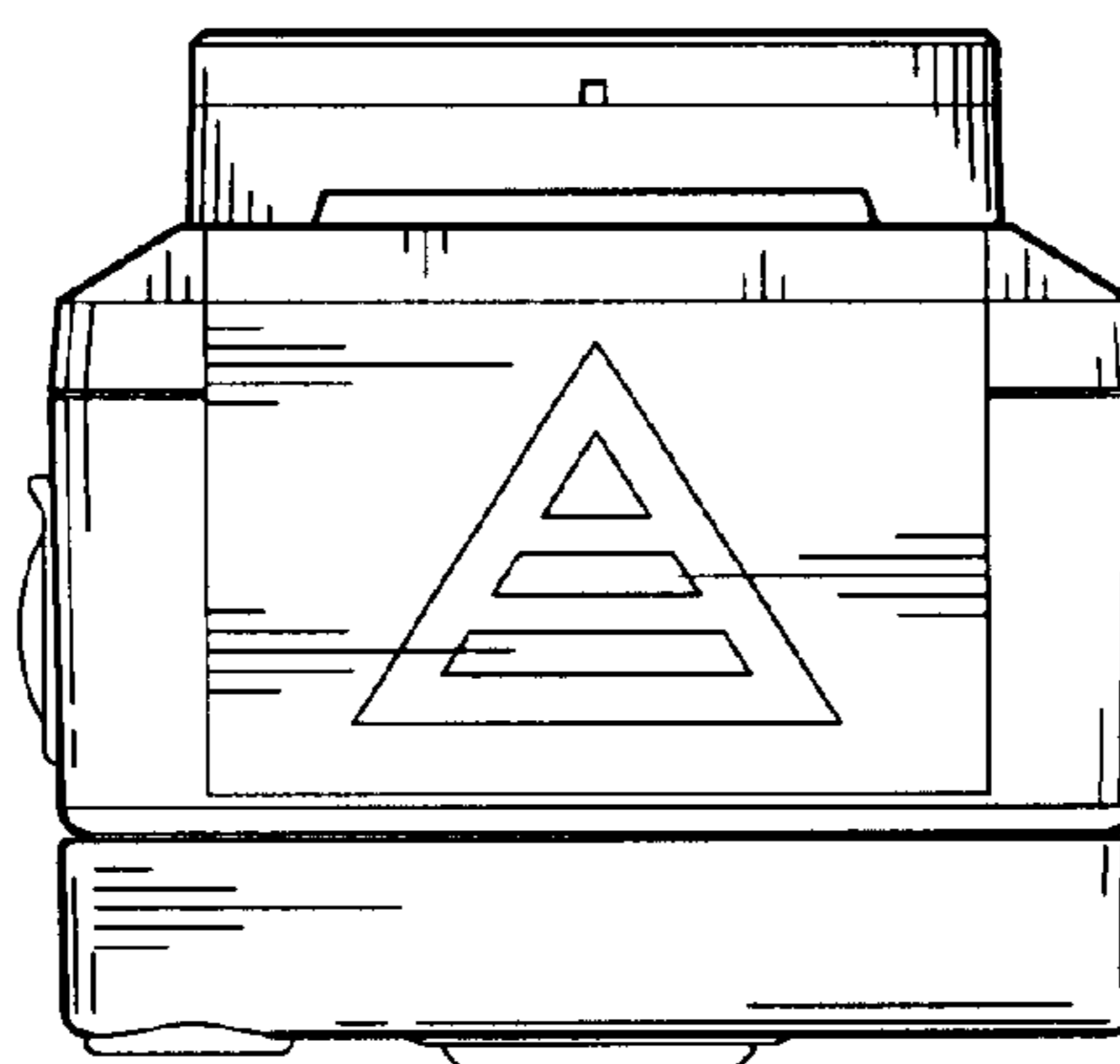


FIG. 7

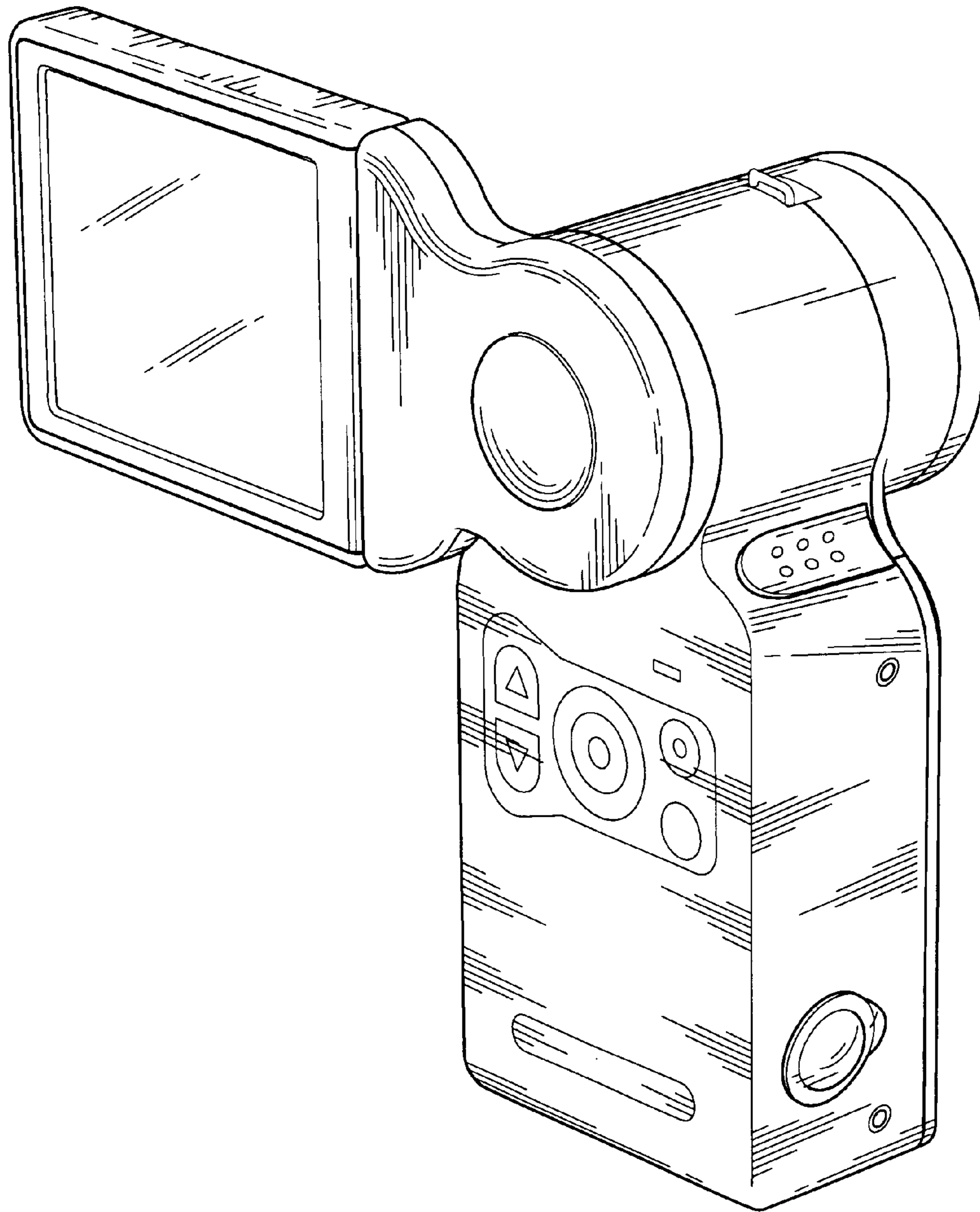


FIG. 8