

US00D507586S

(12) **United States Design Patent**  
**Nakamura**

(10) **Patent No.:** **US D507,586 S**  
(45) **Date of Patent:** **\*\* Jul. 19, 2005**

(54) **DIGITAL STILL CAMERA**

(75) **Inventor:** **Makoto Nakamura, Kyoto (JP)**

(73) **Assignee:** **Matsushita Electric Industrial Co., Ltd., Osaka (JP)**

(\*\*) **Term:** **14 Years**

(21) **Appl. No.:** **29/205,210**

(22) **Filed:** **May 10, 2004**

(30) **Foreign Application Priority Data**

Nov. 13, 2003 (JP) ..... 2003-033903

(51) **LOC (8) Cl.** ..... **16-01**

(52) **U.S. Cl.** ..... **D16/202; D16/218**

(58) **Field of Search** ..... **D16/200-206, D16/208, 209, 218; 348/373-376; 358/906, 909.1; 396/6, 535, 536-541**

(56) **References Cited**

**U.S. PATENT DOCUMENTS**

D392,659 S	3/1998	Takano	
D407,098 S	3/1999	Goto et al.	
D418,851 S	1/2000	Goto et al.	
D423,031 S	4/2000	Shinohara et al.	
D455,167 S	* 4/2002	Friedricks et al.	..... D16/218
6,463,222 B1	* 10/2002	Ito et al.	..... 396/541
D479,547 S	* 9/2003	Nagayama	..... D16/202

D486,168 S	* 2/2004	Nakamura	..... D16/202
D490,833 S	* 6/2004	Sakaguchi et al.	..... D16/202
D494,611 S	* 8/2004	Nakamura	..... D16/202
D496,060 S	* 9/2004	Nagayama	..... D16/202

**OTHER PUBLICATIONS**

Catalog of Digital Still Camera issued by Matsushita Electric Industrial Co., Ltd., May 1, 2003.

\* cited by examiner

*Primary Examiner*—Adir Aronovich

(74) *Attorney, Agent, or Firm*—Brinks Hofer Gilson & Lione

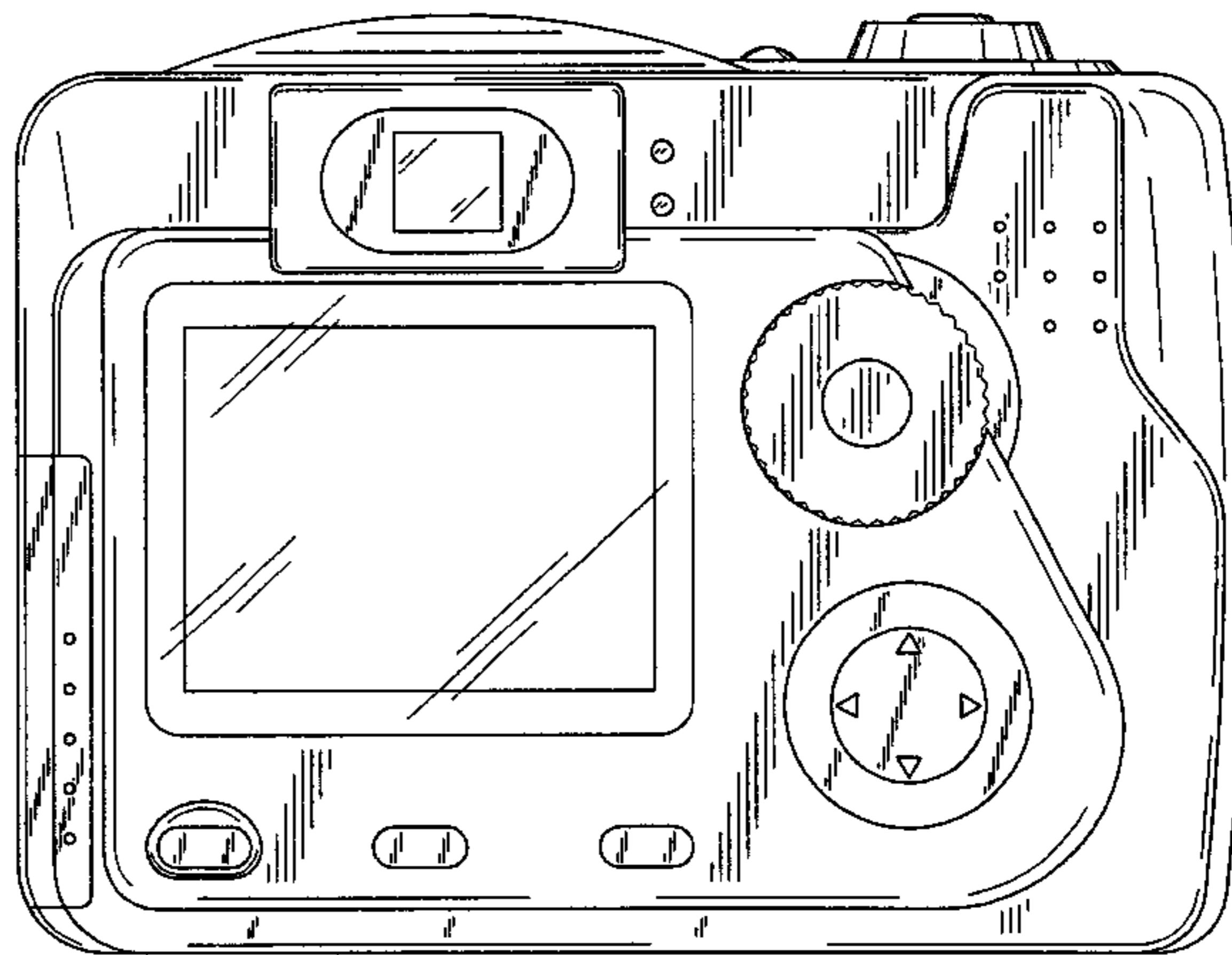
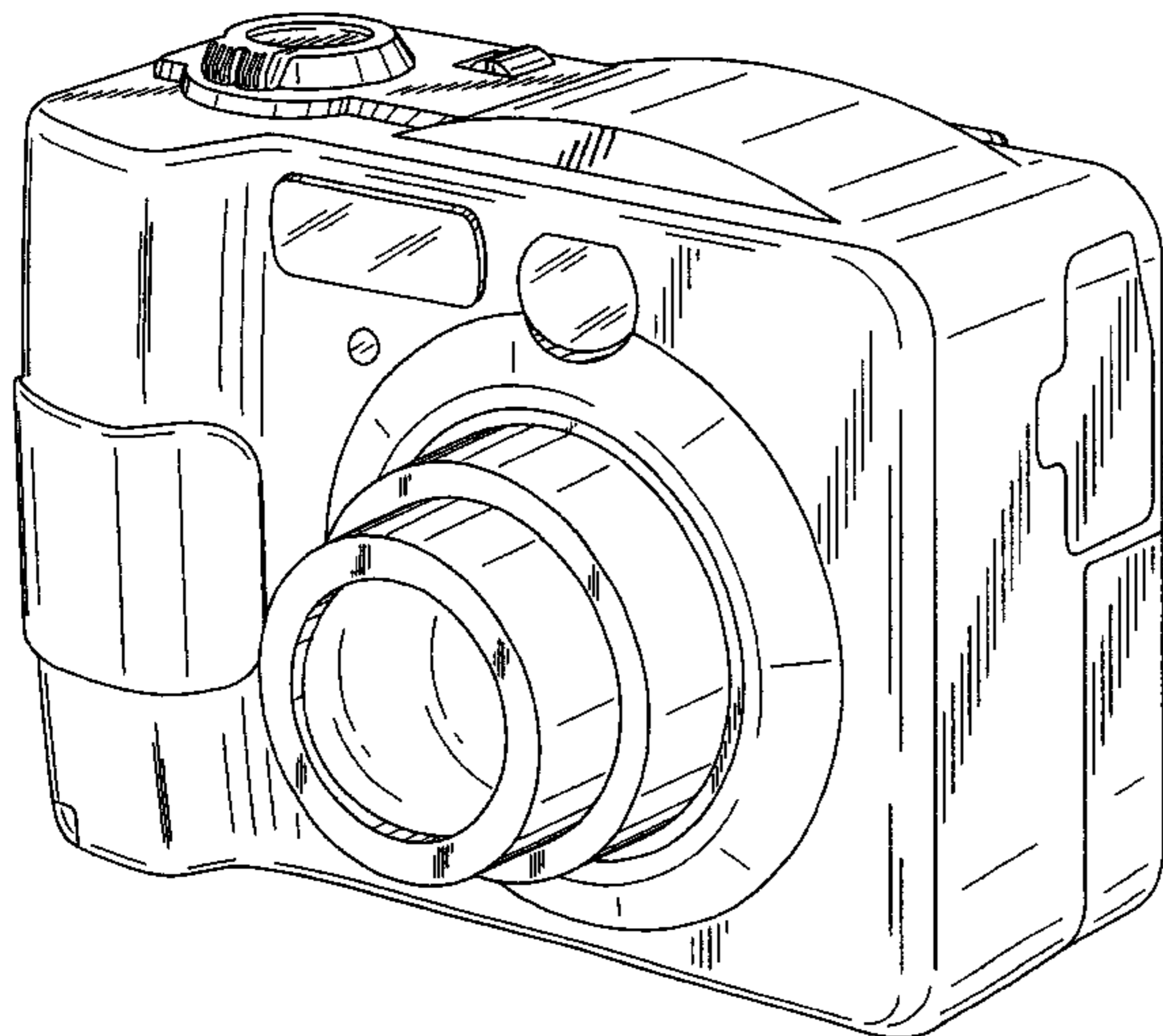
(57) **CLAIM**

The ornamental design for a digital still camera, as shown and described.

**DESCRIPTION**

FIG. 1 is a top perspective view of a digital still camera of the present invention;  
FIG. 2 is a front view thereof;  
FIG. 3 is a rear view thereof;  
FIG. 4 is a first side view thereof;  
FIG. 5 is a second side view thereof;  
FIG. 6 is a top view thereof; and,  
FIG. 7 is a bottom view thereof.

**1 Claim, 7 Drawing Sheets**



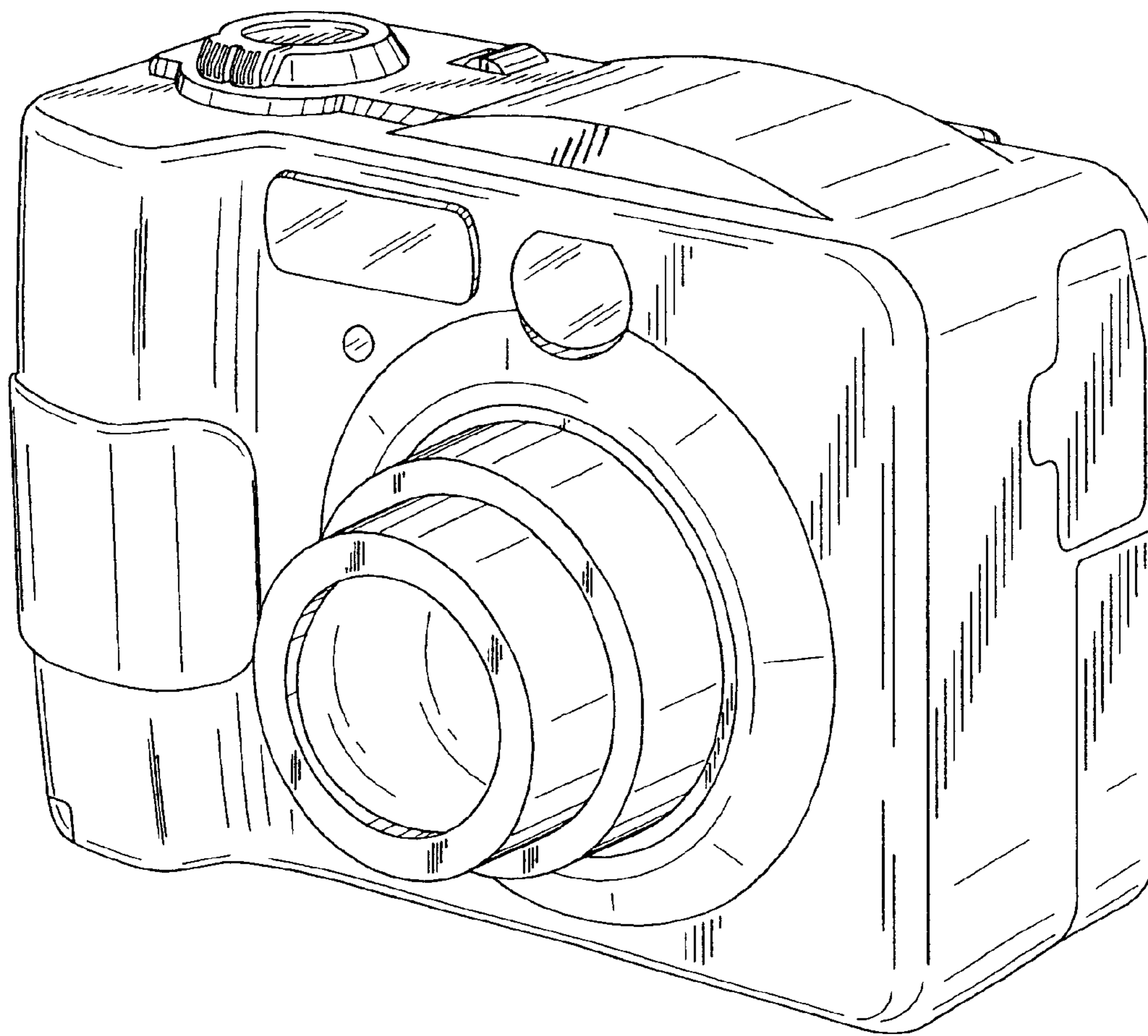


FIG. 1

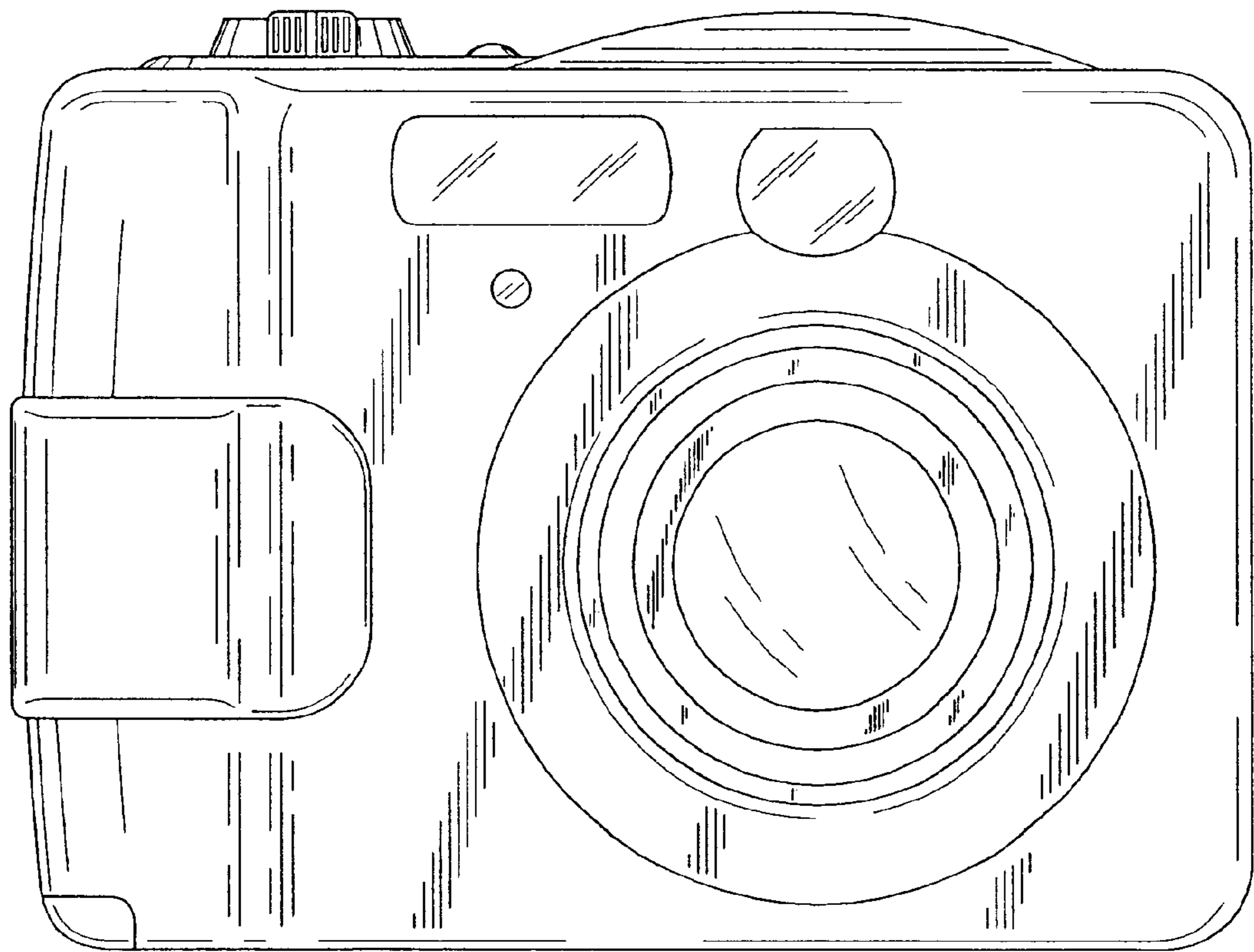


FIG. 2

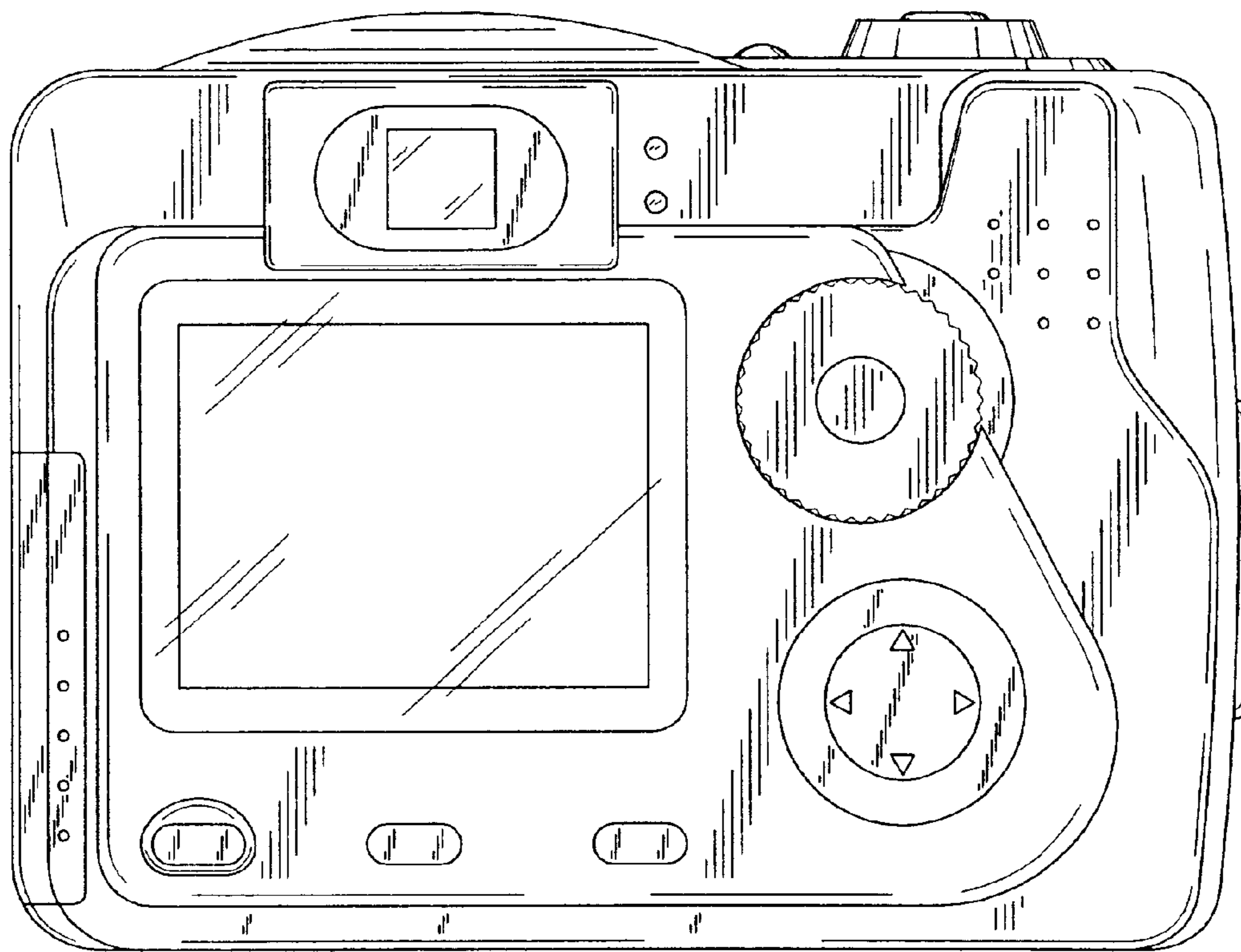


FIG. 3

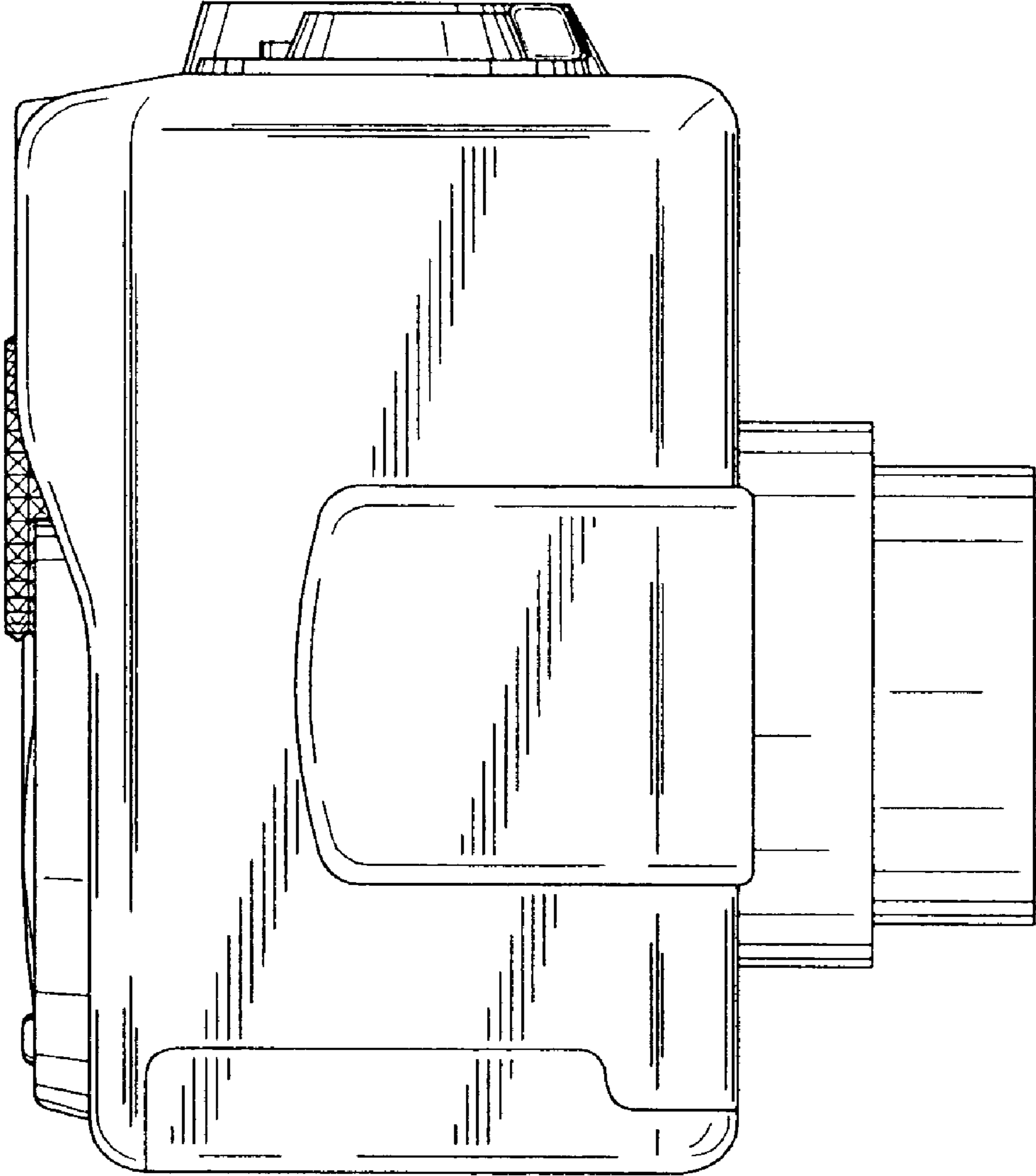


FIG. 4

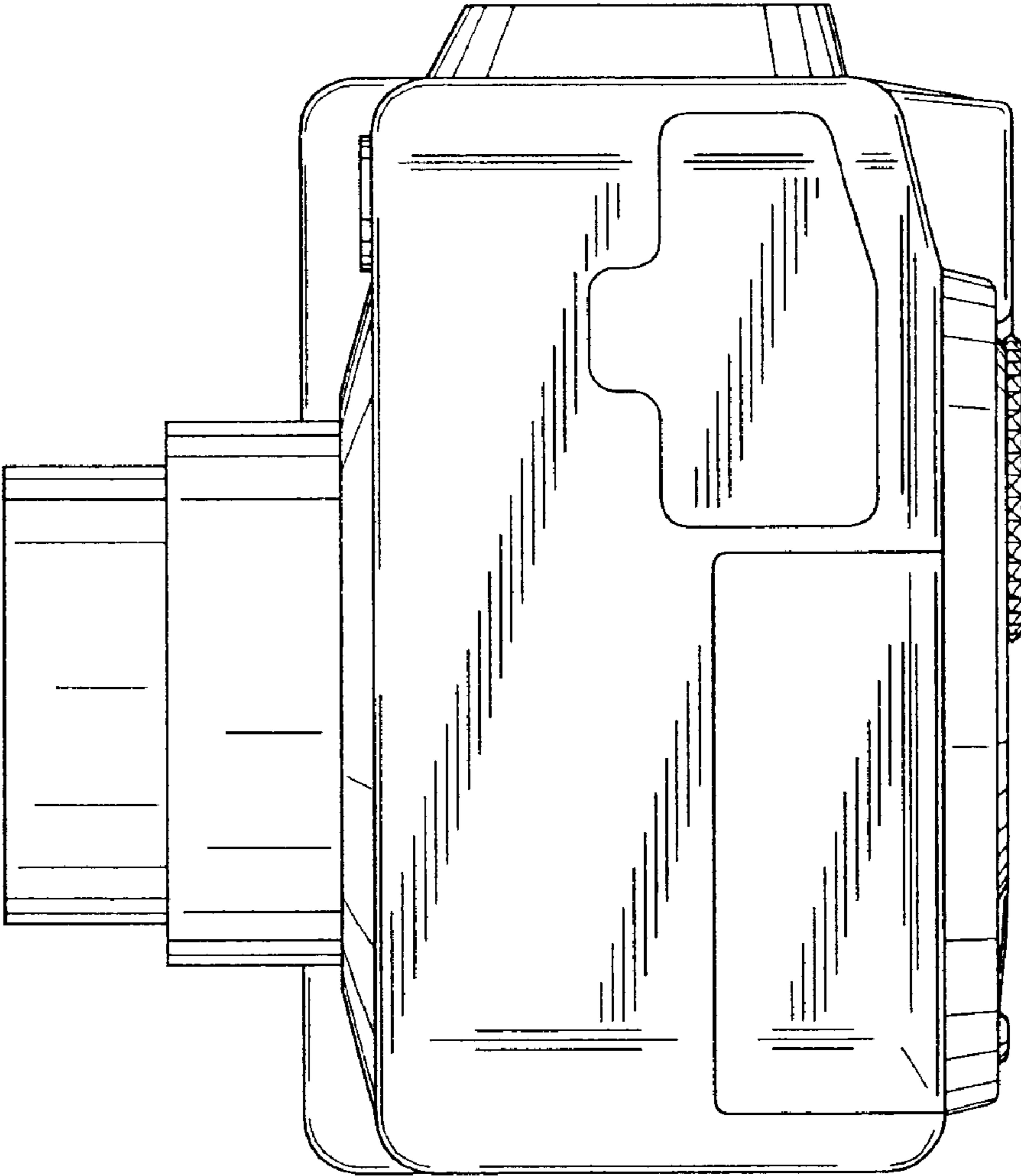


FIG. 5

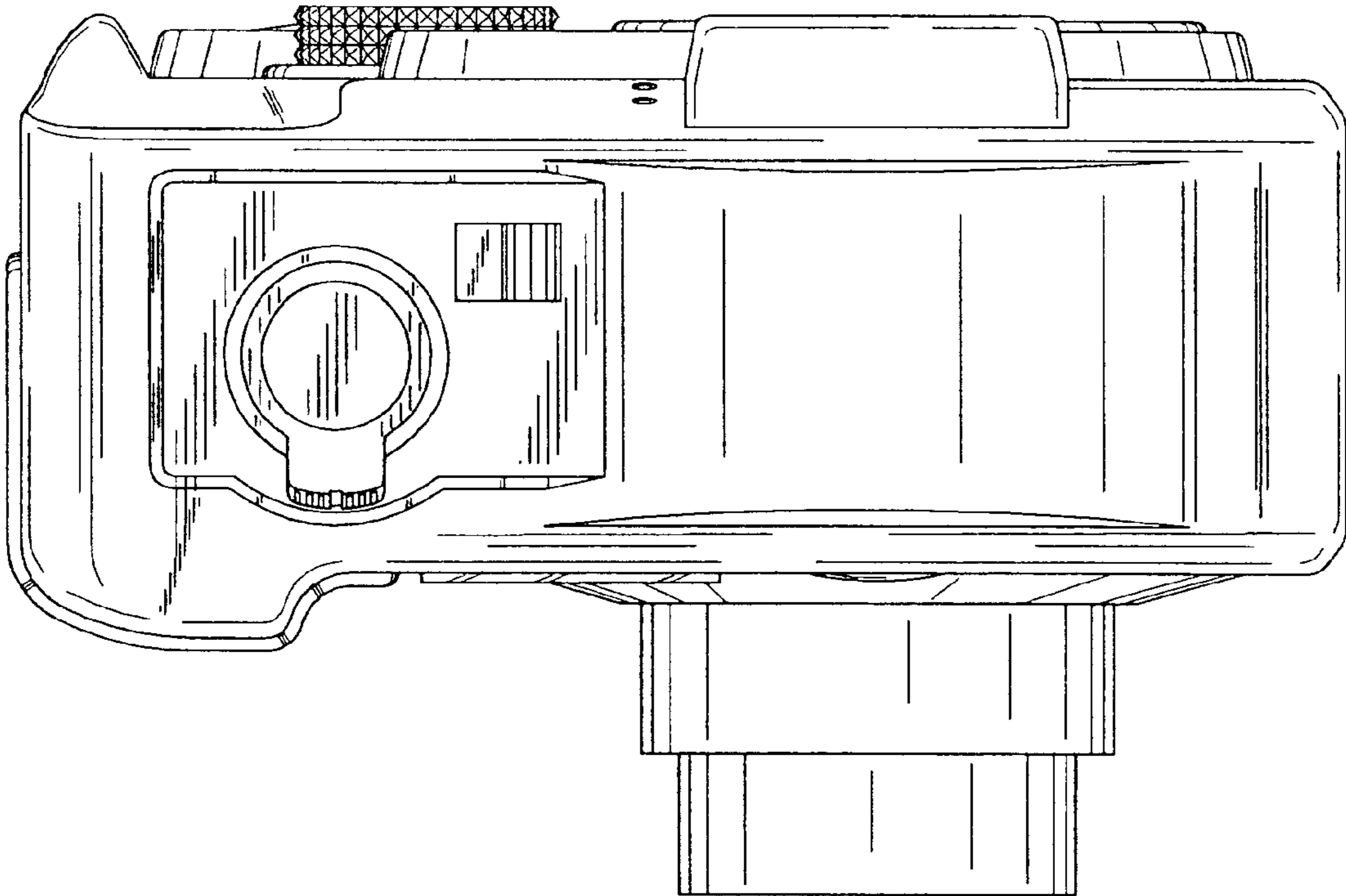


FIG. 6

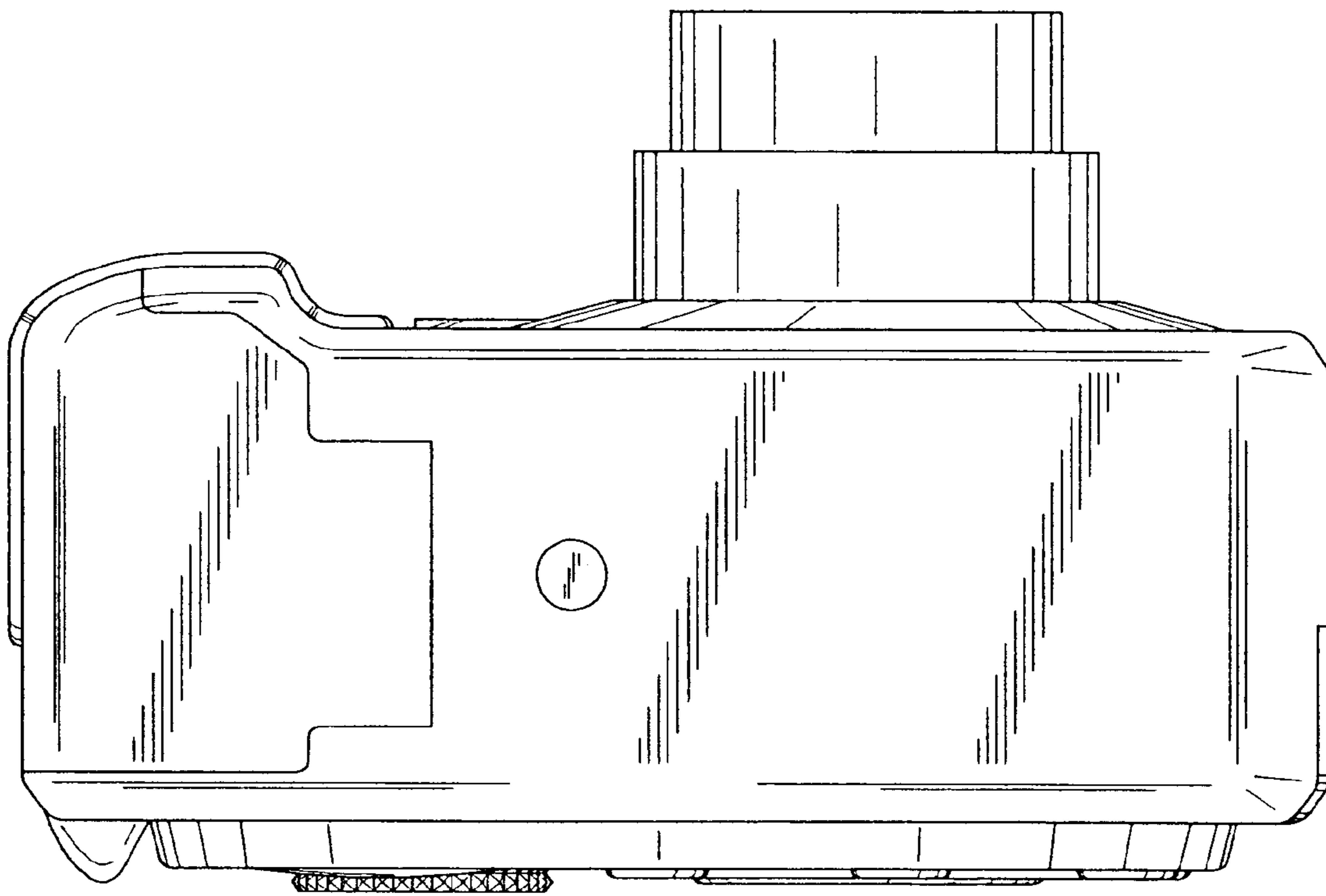


FIG. 7