

US00D507584S

(12) **United States Design Patent**
Kim et al.

(10) **Patent No.:** **US D507,584 S**
(45) **Date of Patent:** **** Jul. 19, 2005**

(54) **KIMCHI REFRIGERATOR**

(75) Inventors: **Woon Hyung Kim**, Jeonlabook-do (KR); **Hang Bok Lee**, Seoul (KR)

(73) Assignee: **LG Electronics Inc.**, Seoul (KR)

(**) Term: **14 Years**

(21) Appl. No.: **29/204,218**

(22) Filed: **Apr. 27, 2004**

(30) **Foreign Application Priority Data**

Oct. 28, 2003 (KR) 30-2003-0030092

(51) **LOC (8) Cl.** **15-07**

(52) **U.S. Cl.** **D15/83**

(58) **Field of Search** D15/79, 81, 83;
D7/605; D9/424; 62/362, 457.1, 457.7;
220/592.03

(56) **References Cited**

U.S. PATENT DOCUMENTS

D146,789 S * 5/1947 Dailey D15/83
D147,921 S * 11/1947 Money et al. D15/85

D147,922 S * 11/1947 Money et al. D15/85
D491,581 S * 6/2004 Jang et al. D15/83
D493,473 S * 7/2004 Kim et al. D15/86
D501,489 S * 2/2005 Seo et al. D15/83
D501,663 S * 2/2005 Yu et al. D15/83

* cited by examiner

Primary Examiner—Nanda Bondande

Assistant Examiner—Shanda C. Hill

(74) *Attorney, Agent, or Firm*—Birch, Stewart, Kolasch & Birch, LLP

(57) **CLAIM**

The ornamental design for kimchi refrigerator, as shown and described.

DESCRIPTION

FIG. 1 is a perspective view of the kimchi refrigerator;
FIG. 2 is a front view thereof;
FIG. 3 is a rear view thereof;
FIG. 4 is a left side view thereof where the right side view is a mirror image;
FIG. 5 is a top plan view thereof; and,
FIG. 6 is a bottom plan view thereof.

1 Claim, 4 Drawing Sheets

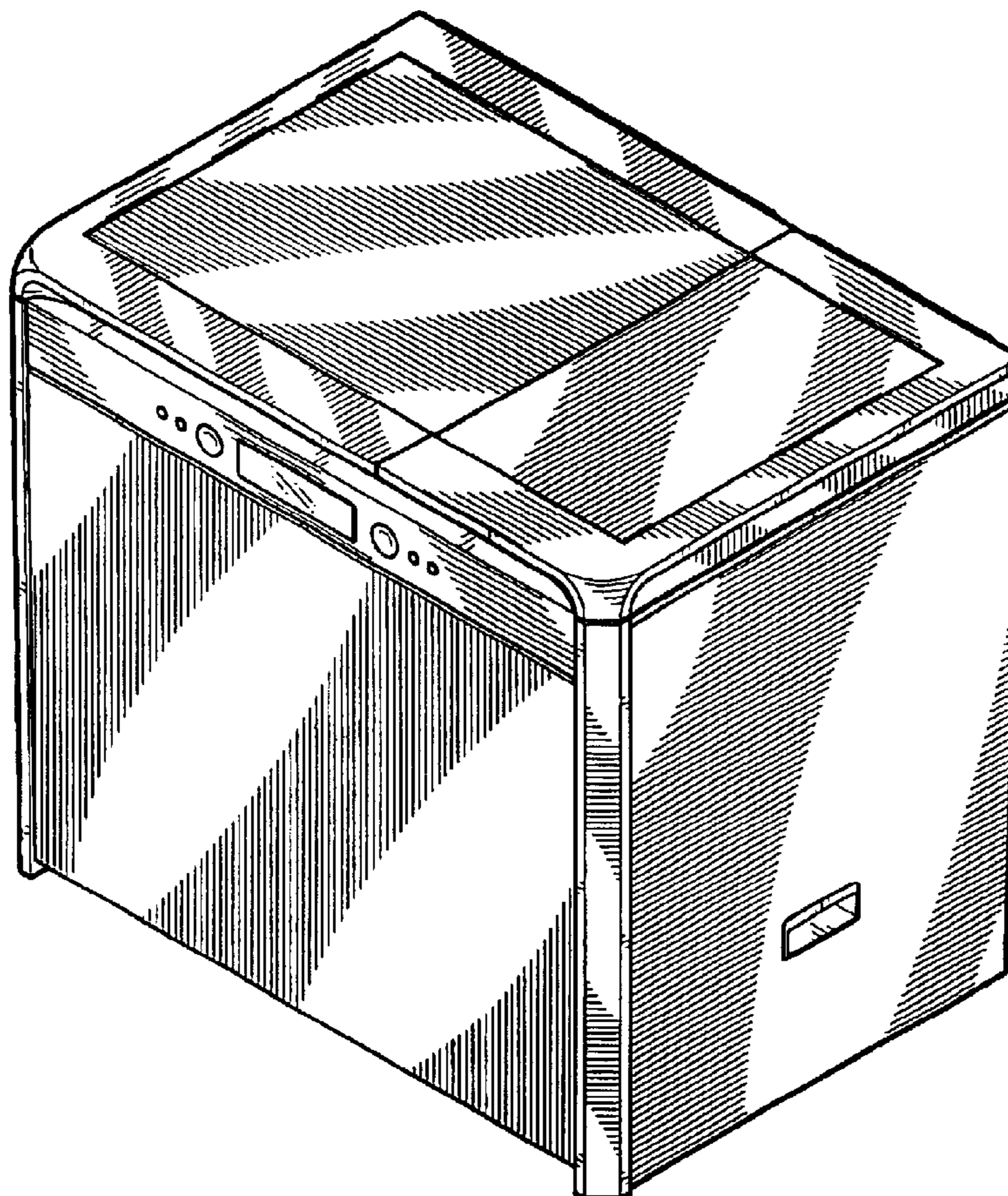


FIG. 1

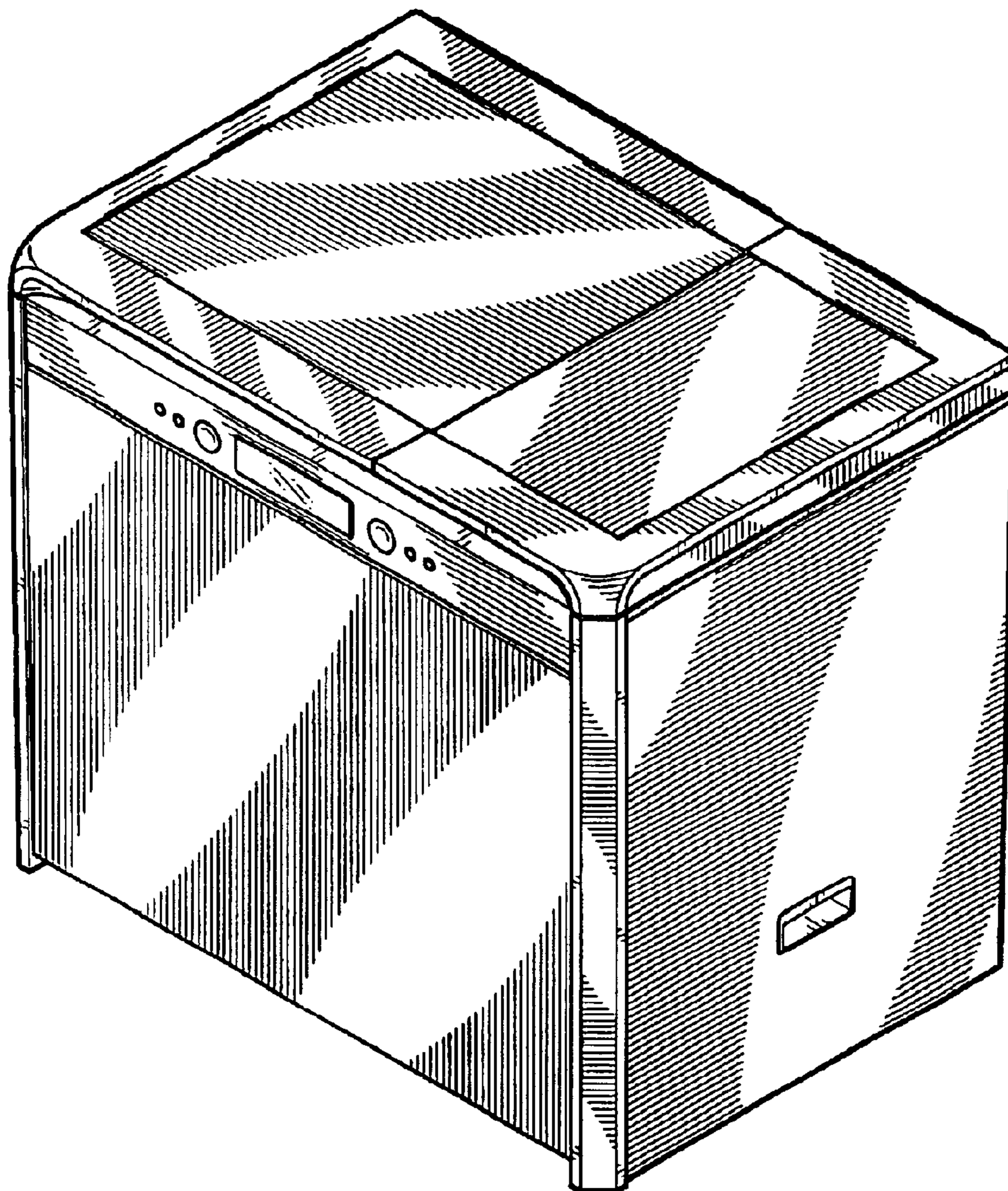


FIG. 2

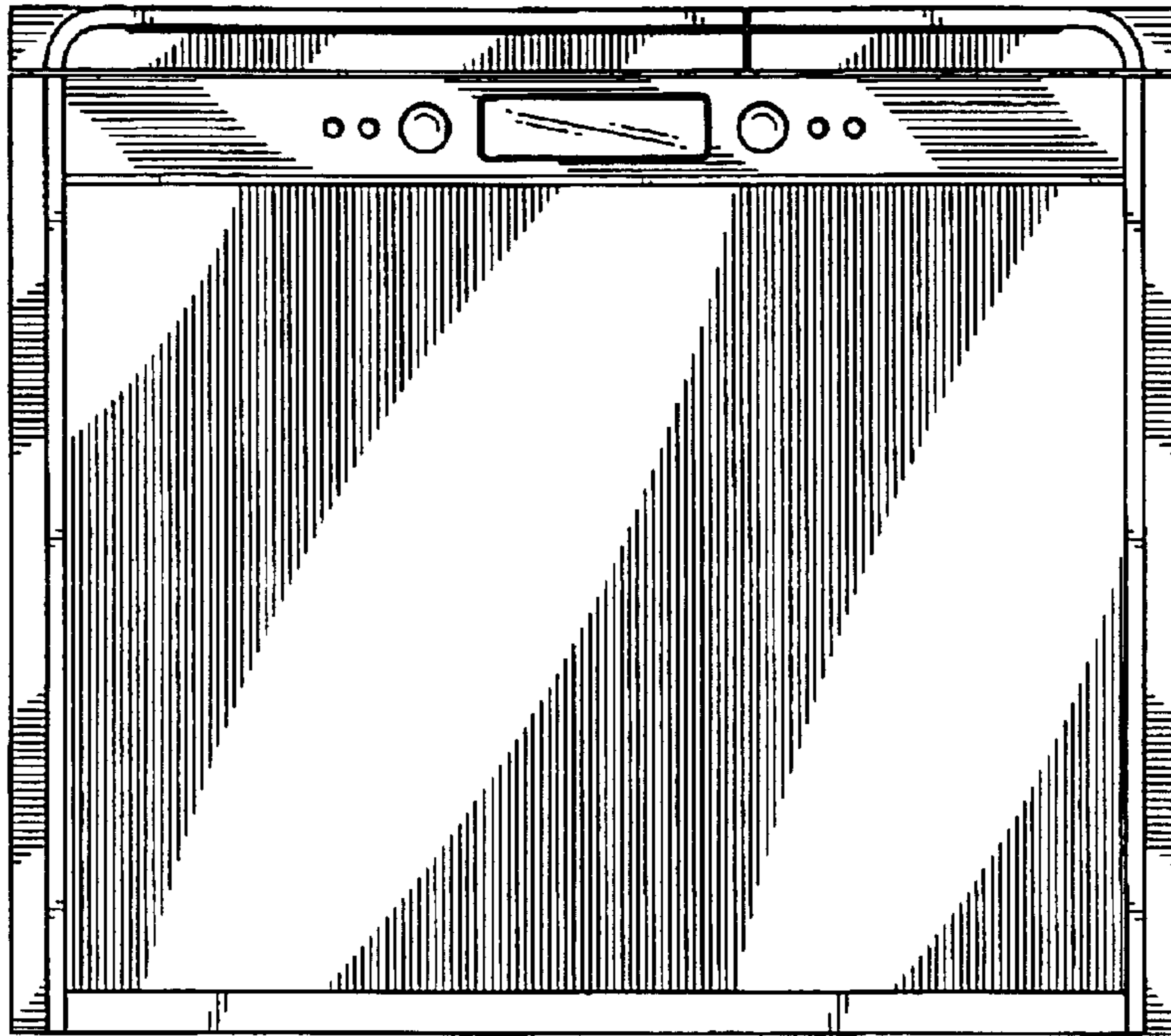


FIG. 3

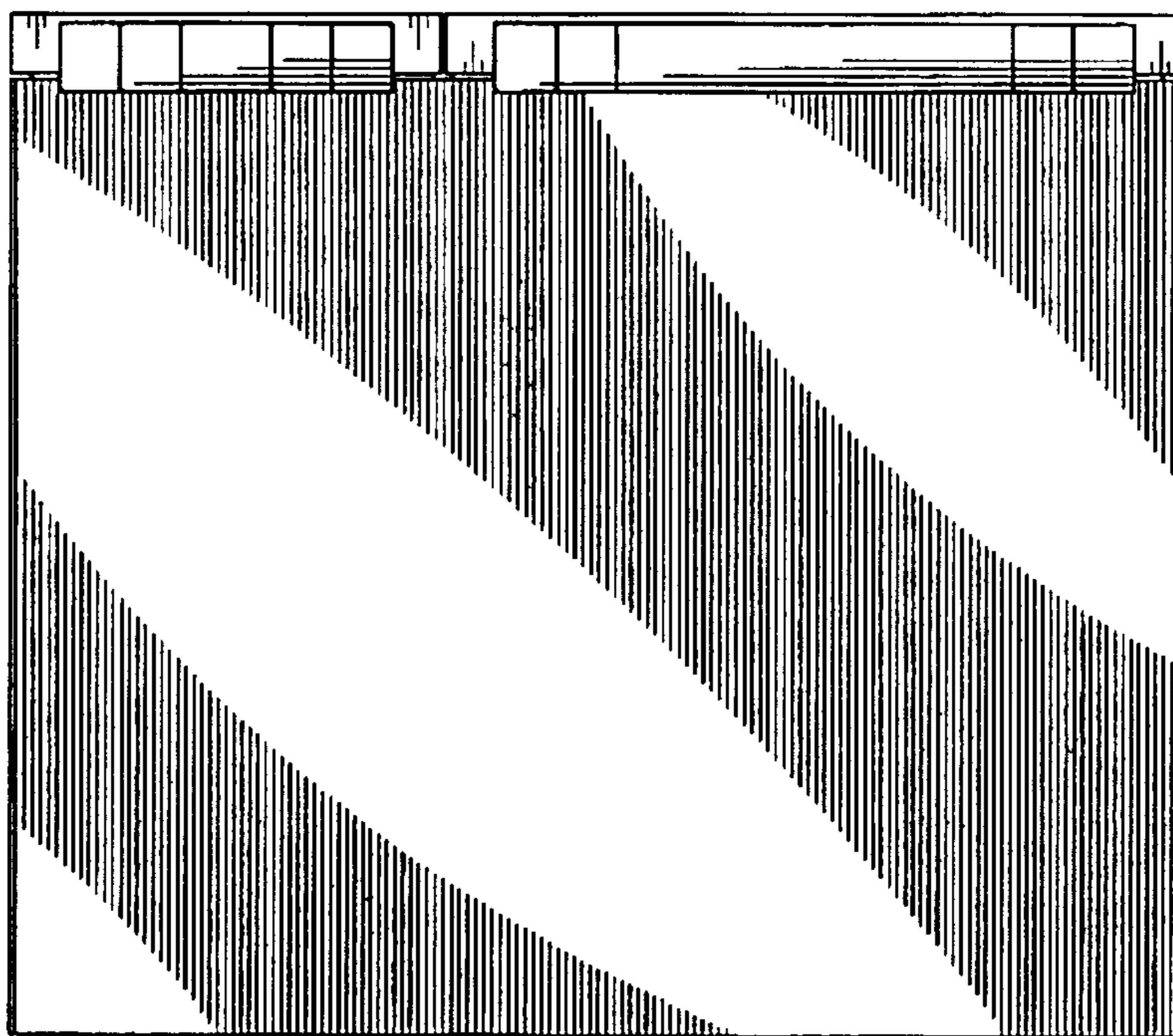


FIG. 4

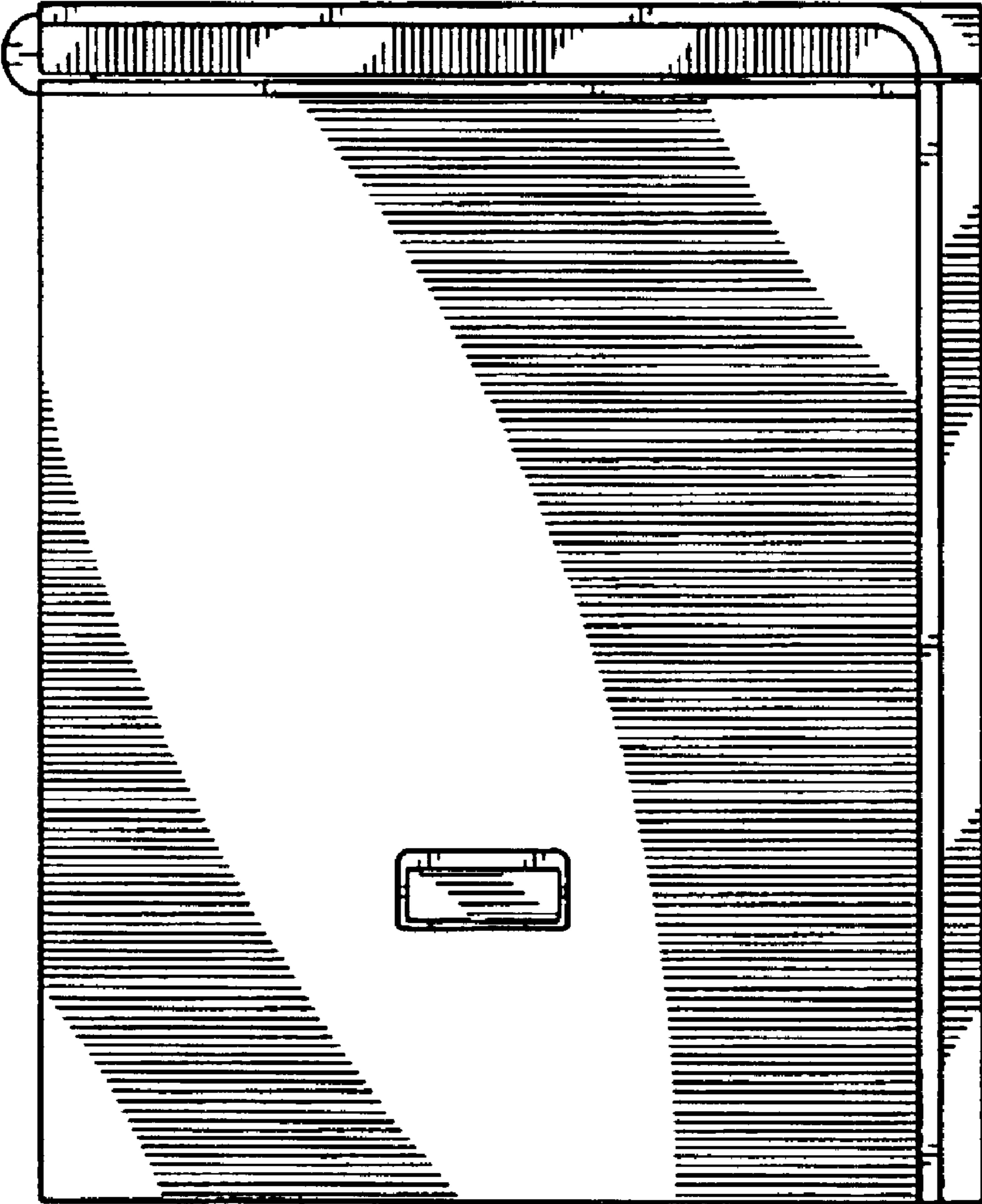


FIG. 5

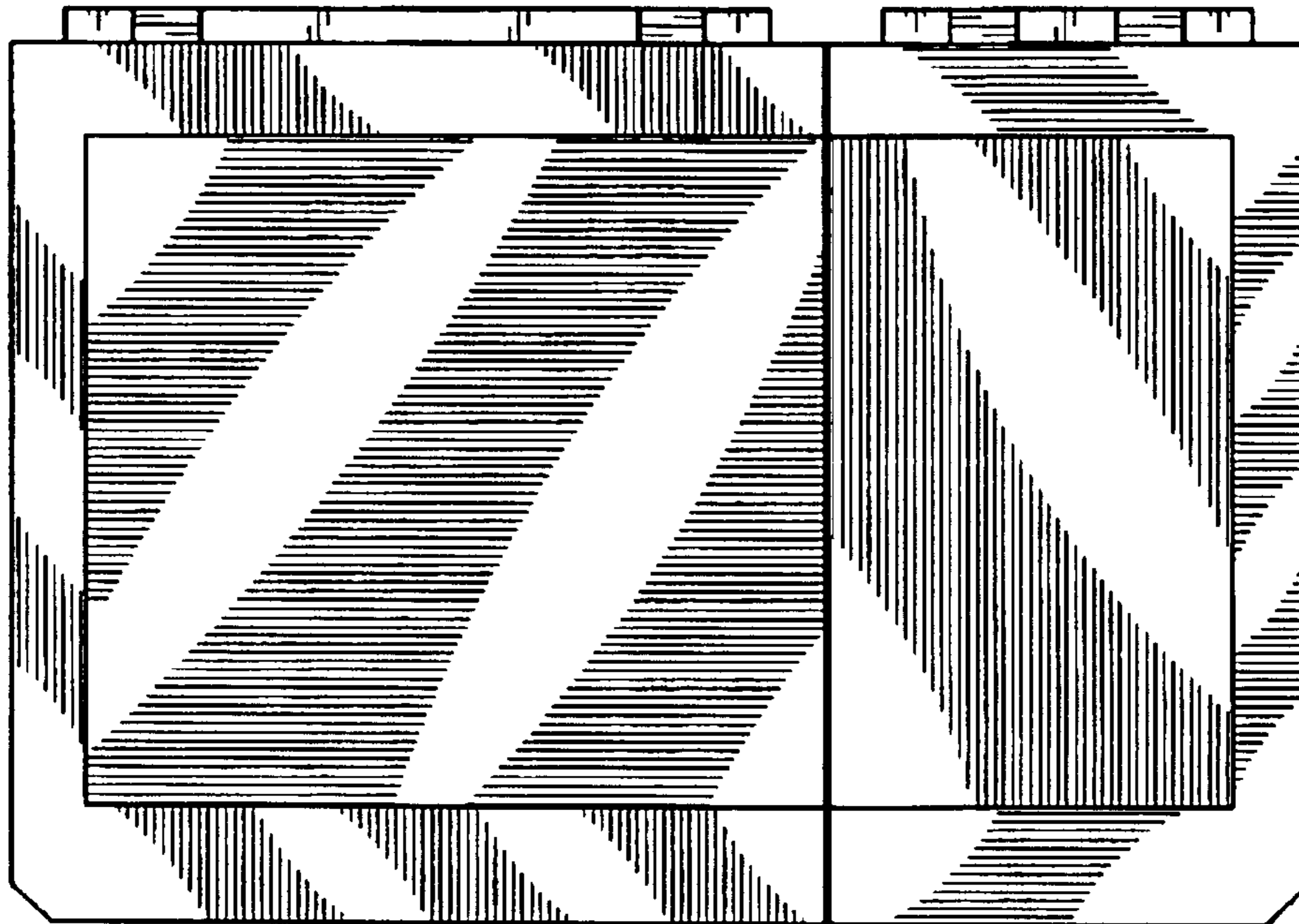


FIG. 6

