



US00D507583S

(12) **United States Design Patent**
Muto

(10) **Patent No.: US D507,583 S**
(45) **Date of Patent: ** Jul. 19, 2005**

(54) **SEWING MACHINE**

(75) **Inventor: Hideki Muto, Tokyo (JP)**

(73) **Assignee: Janome Sewing Machine Co., Ltd.,
Tokyo (JP)**

(**) **Term: 14 Years**

(21) **Appl. No.: 29/217,837**

(22) **Filed: Nov. 24, 2004**

(30) **Foreign Application Priority Data**

May 28, 2004 (JP) 015822

(51) **LOC (8) Cl. 15-07**

(52) **U.S. Cl. D15/70; D15/69**

(58) **Field of Search D15/66, 69, 70;
112/154, 444, 217.1, 217.2, 217.3, 217.4,
258-260; D21/527**

(56) **References Cited**

U.S. PATENT DOCUMENTS

- D348,292 S * 6/1994 Chiu D21/527
- D359,964 S * 7/1995 Nakajima et al. D15/69
- D359,965 S * 7/1995 Nakajima et al. D15/69

- D375,751 S * 11/1996 Chan D15/69
- D390,852 S * 2/1998 McLinden et al. D15/69
- D450,723 S * 11/2001 Iwai et al. D15/70
- D474,207 S * 5/2003 Kuroki D15/69
- D478,099 S * 8/2003 Muto D15/69
- D481,738 S * 11/2003 Egami D15/69

* cited by examiner

Primary Examiner—Stella Reid

Assistant Examiner—Shanda C. Hill

(74) *Attorney, Agent, or Firm*—McGinn & Gibb, PLLC

(57) **CLAIM**

The ornamental design for a sewing machine, as shown and described.

DESCRIPTION

FIG. 1 is a front elevational view of a sewing machine showing my design;
 FIG. 2 is a rear elevational view thereof;
 FIG. 3 is a left side elevational view thereof;
 FIG. 4 is a right side elevational view thereof;
 FIG. 5 is a top plan view thereof;
 FIG. 6 is a bottom plan view thereof; and,
 FIG. 7 is a perspective view thereof.

1 Claim, 7 Drawing Sheets

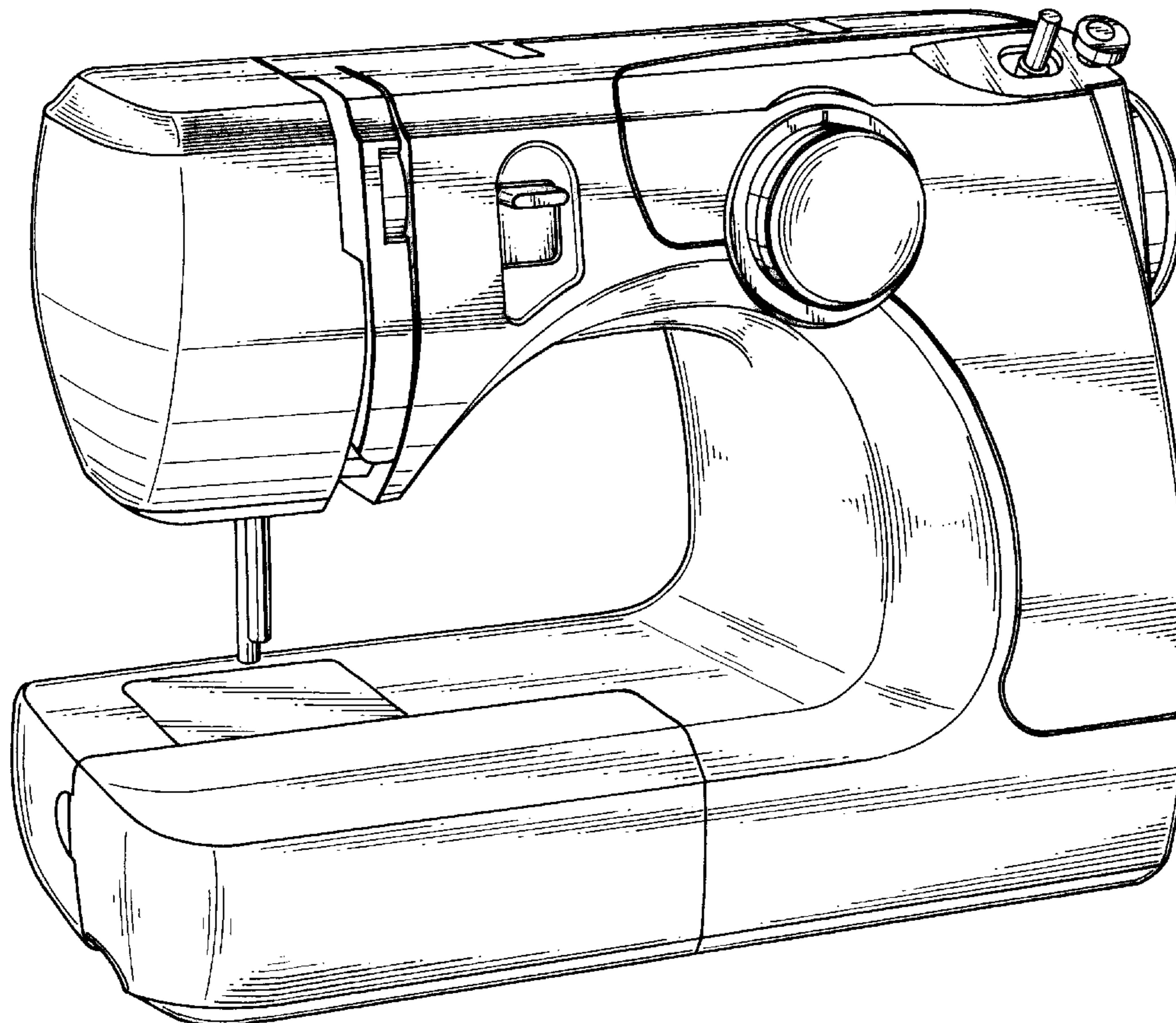


FIG. 1

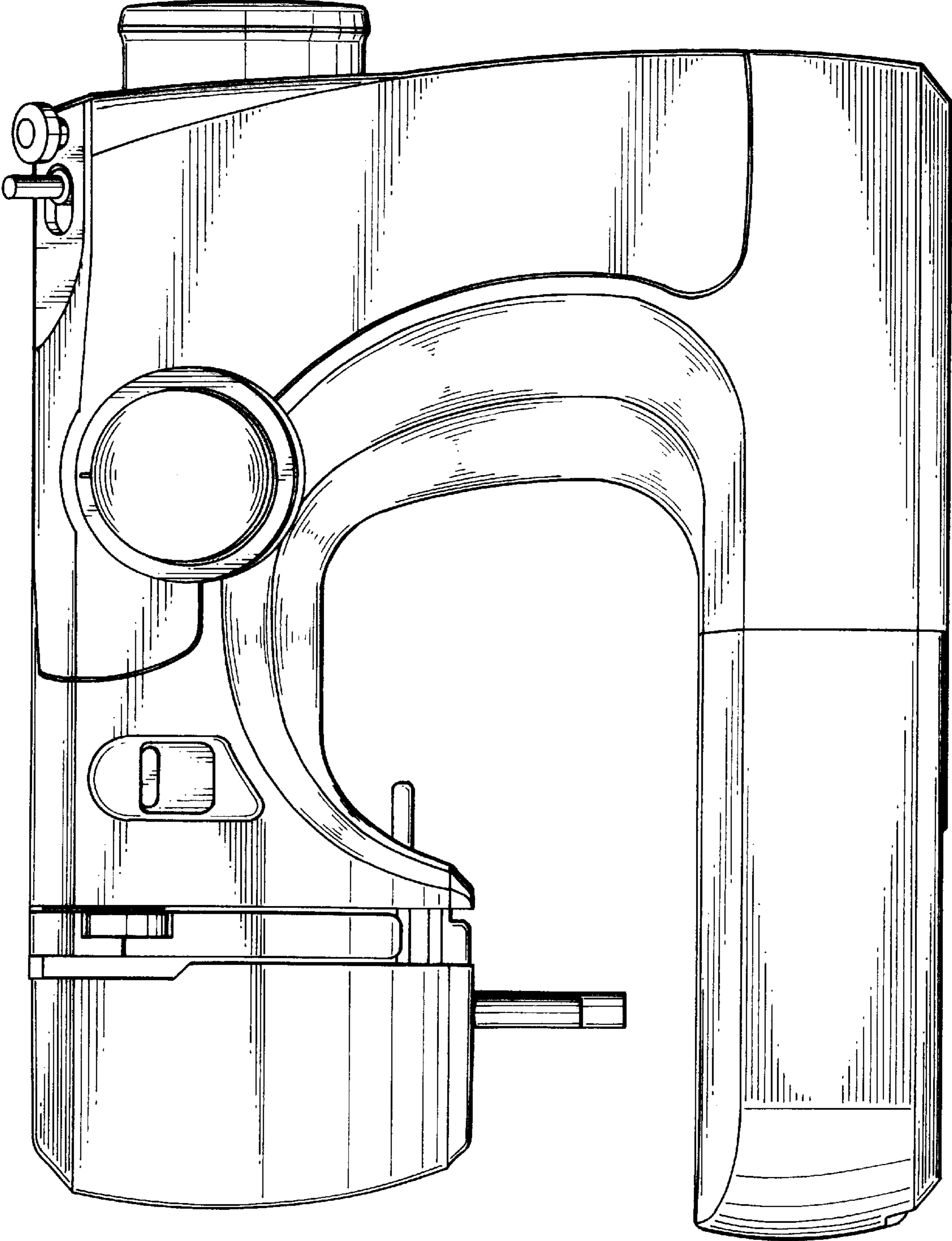


FIG. 2

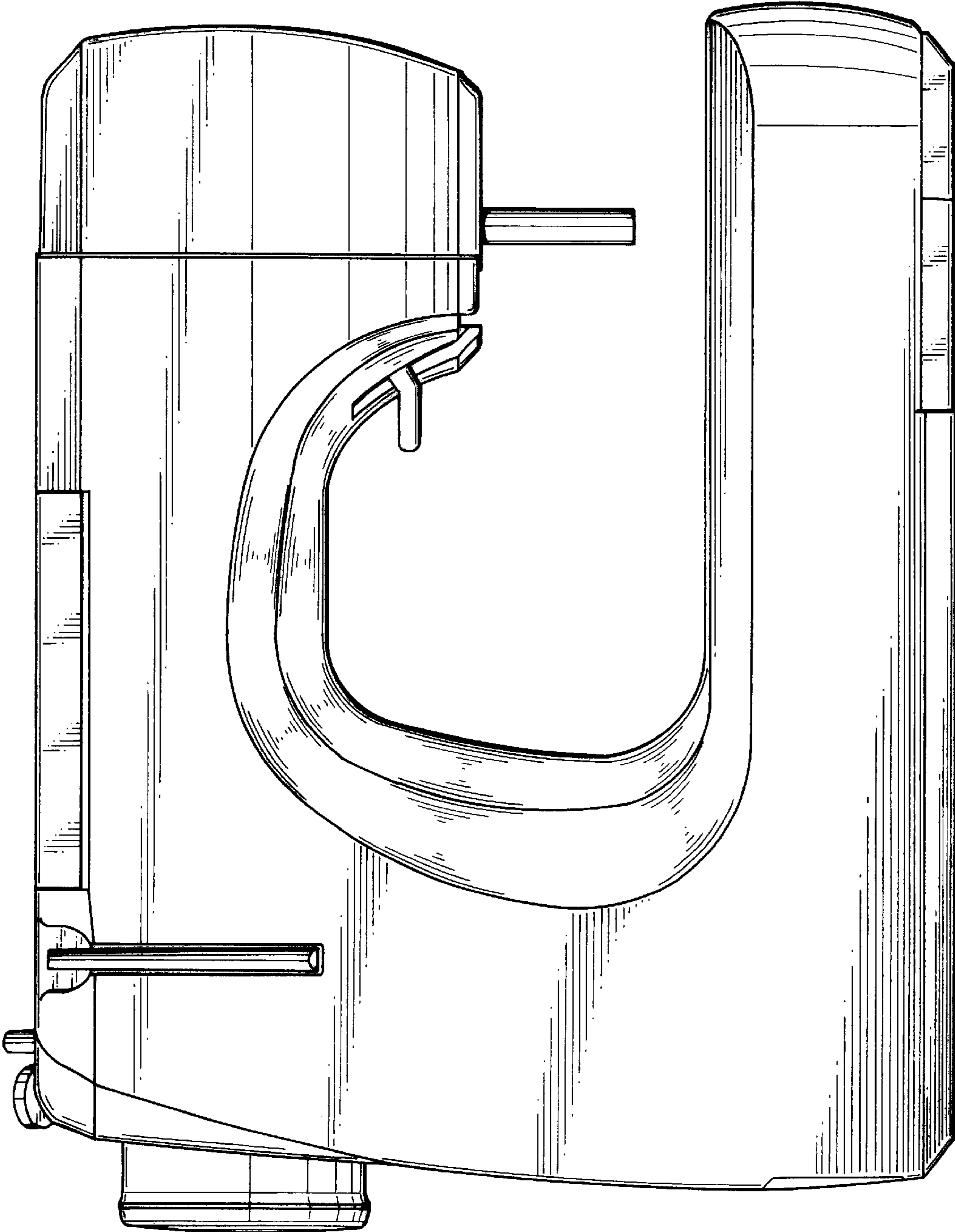


FIG. 3

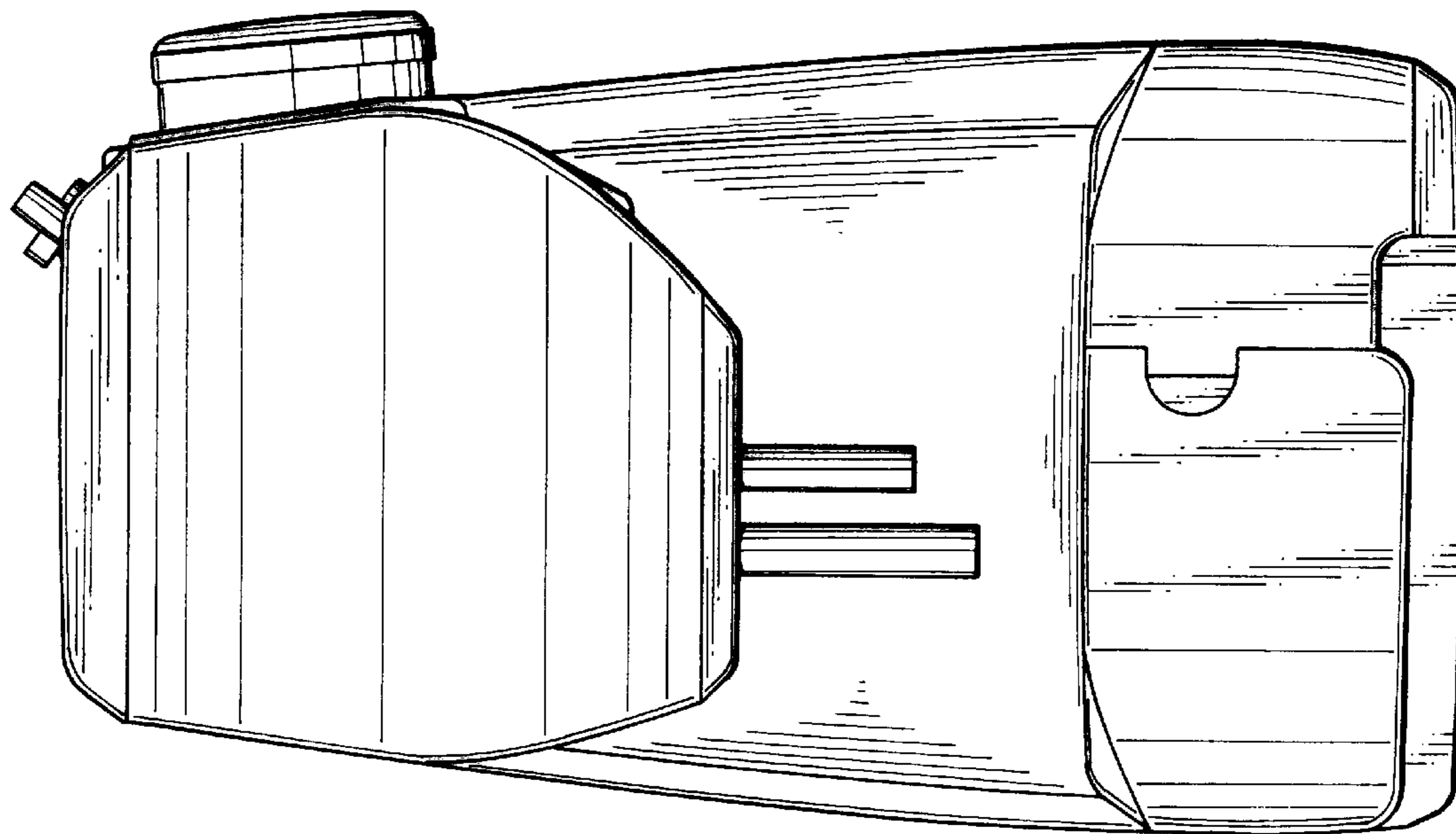


FIG. 4

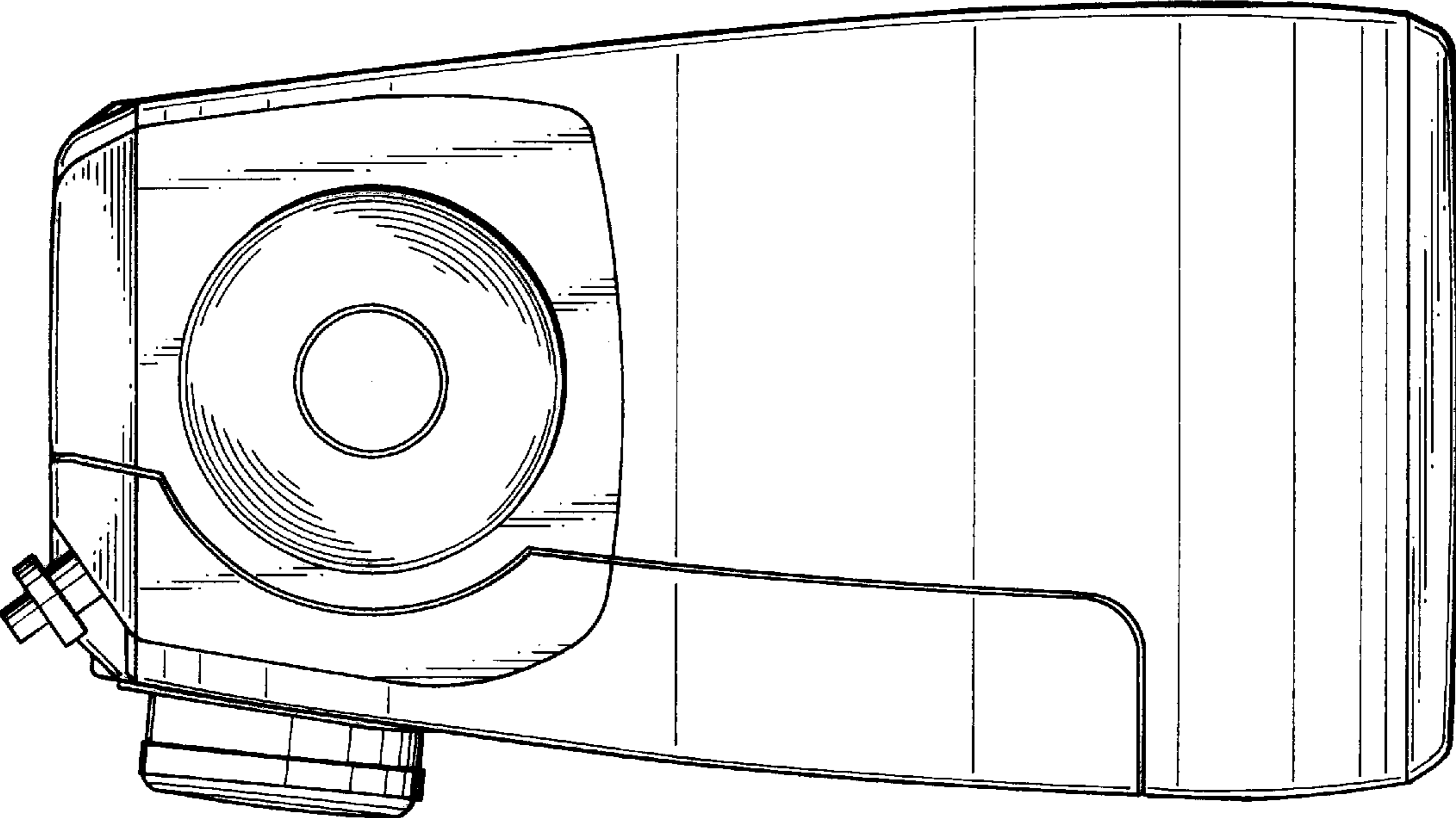


FIG. 5

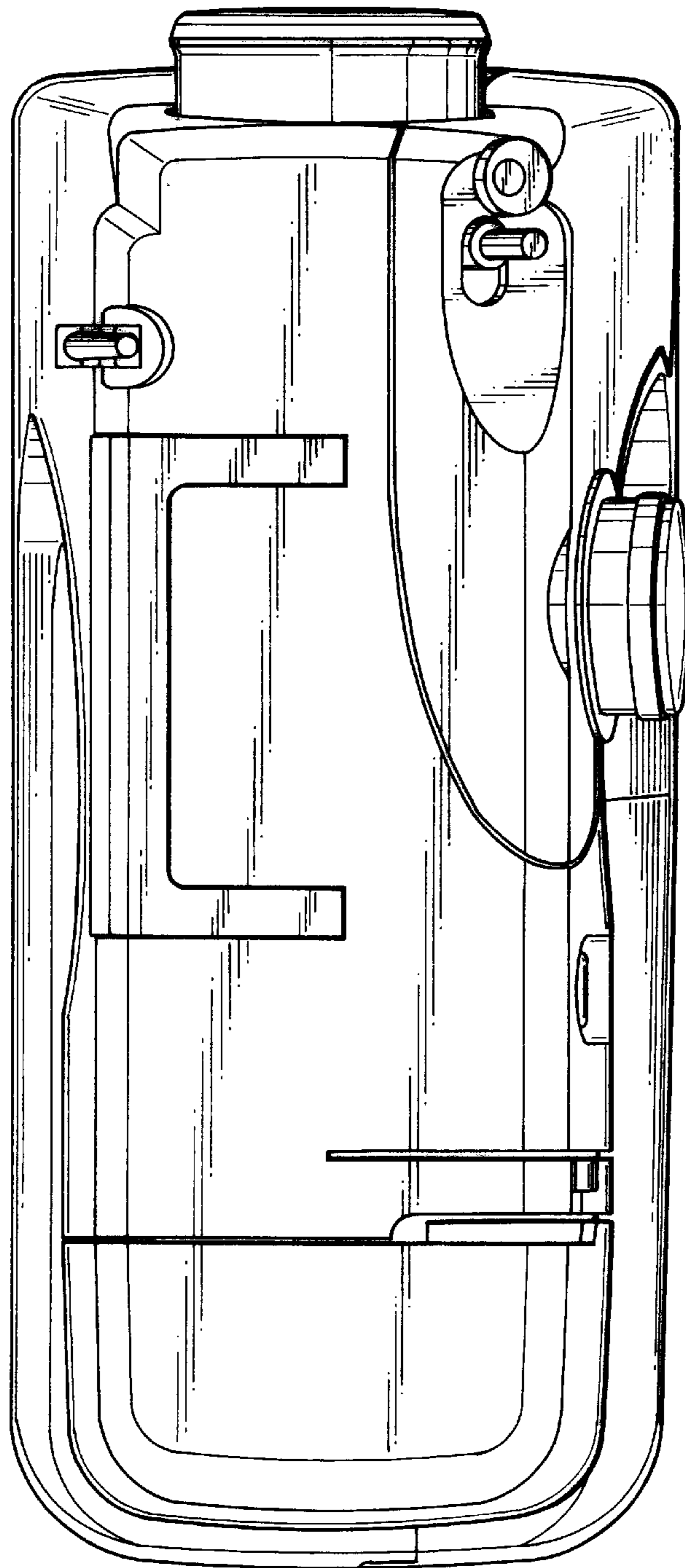
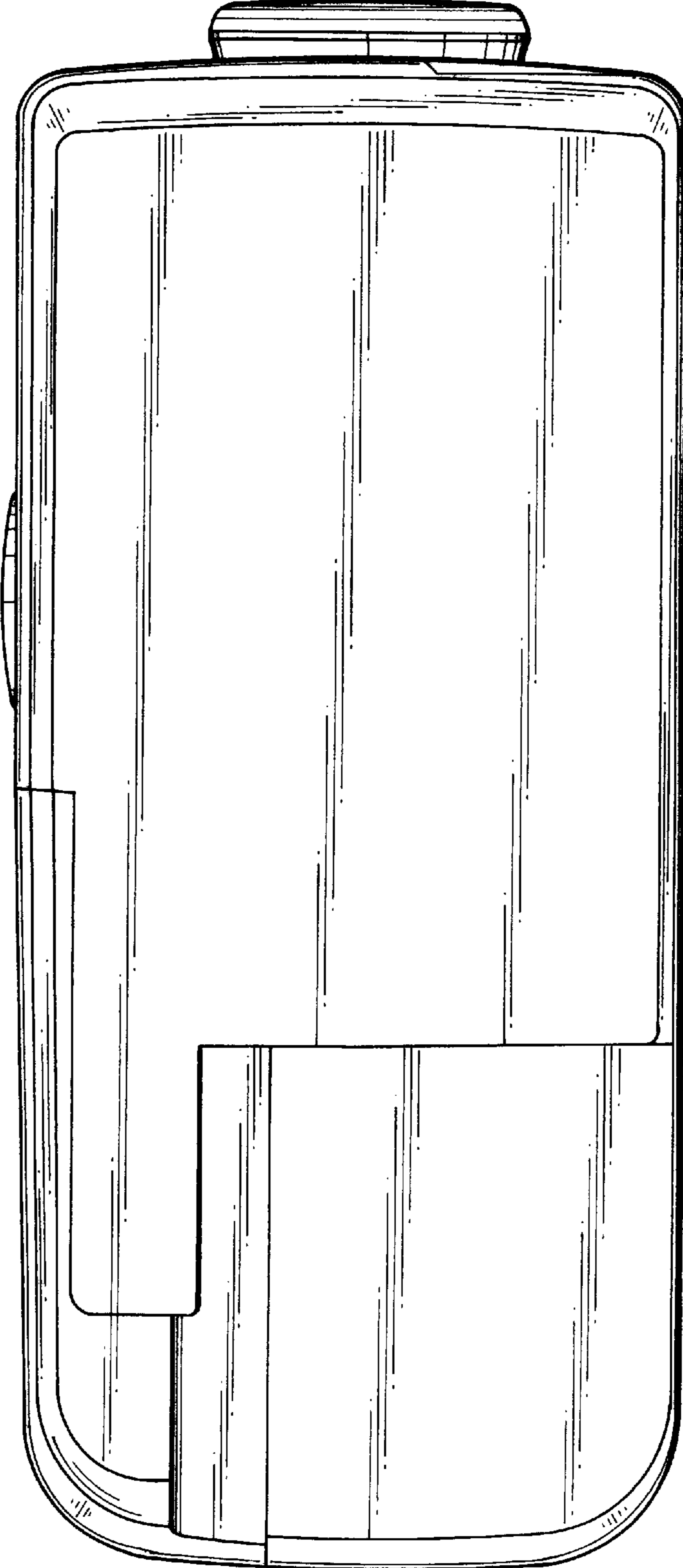


FIG. 6



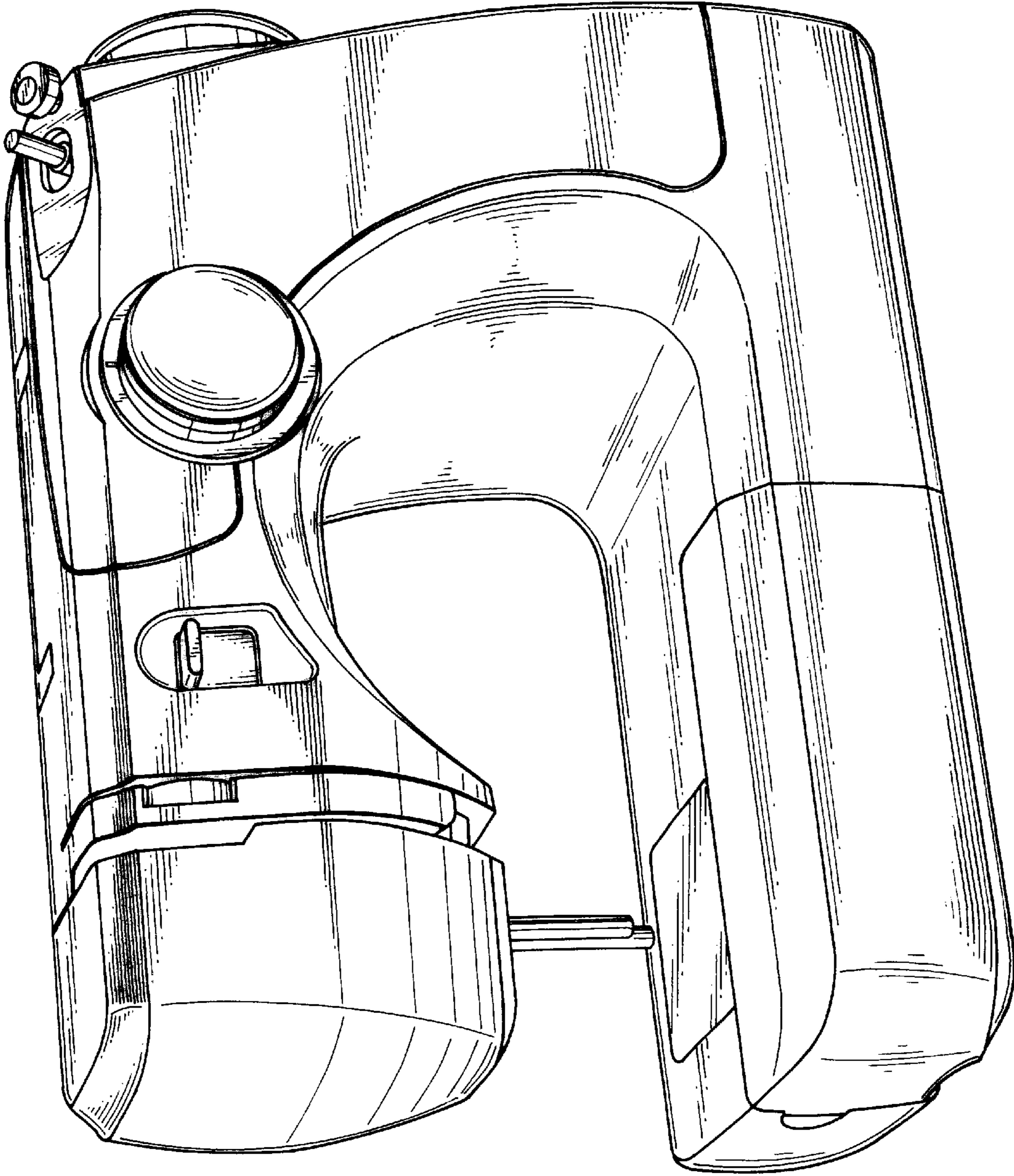


FIG. 7