

US00D507582S

(12) **United States Design Patent** (10) **Patent No.:** **US D507,582 S**
Higashikawa (45) **Date of Patent:** **** Jul. 19, 2005**

(54) **HOOD PORTION OF A RIDING-TYPE MOWER**

(75) Inventor: **Yoshitaka Higashikawa, Sakai (JP)**

(73) Assignee: **Kubota Corporation, Osaka (JP)**

(**) Term: **14 Years**

(21) Appl. No.: **29/187,819**

(22) Filed: **Aug. 8, 2003**

(30) **Foreign Application Priority Data**

Feb. 10, 2003 (JP) 2003-002991

(51) **LOC (8) Cl.** **15-03**

(52) **U.S. Cl.** **D15/31**

(58) **Field of Search** D15/10, 11, 14,
D15/15, 22-26, 28, 31; 56/14.7, 13.3, 13.4,
16.1, 17.4, 15.8, 16.7, 202, 255, 294, 320.1,
320.2; 180/900, 273, 68.6, 69.2, 68.1; 414/685,
687, 694, 698, 722

(56) **References Cited**

U.S. PATENT DOCUMENTS

D298,539 S	*	11/1988	Katoh et al.	D15/23
D340,459 S	*	10/1993	Kawakita et al.	D15/15
5,490,574 A	*	2/1996	Ishiizumi et al.	180/68.1
5,782,312 A	*	7/1998	Murakawa	180/69.2
D401,945 S	*	12/1998	Cunningham et al.	D15/31
D450,330 S	*	11/2001	Katoh et al.	D15/15
D486,160 S	*	2/2004	Higashikawa et al.	D15/15

* cited by examiner

Primary Examiner—Mitchell Siegel
(74) *Attorney, Agent, or Firm*—Webb Ziesenheim Logsdon Orkin & Hanson, P.C.

(57) **CLAIM**

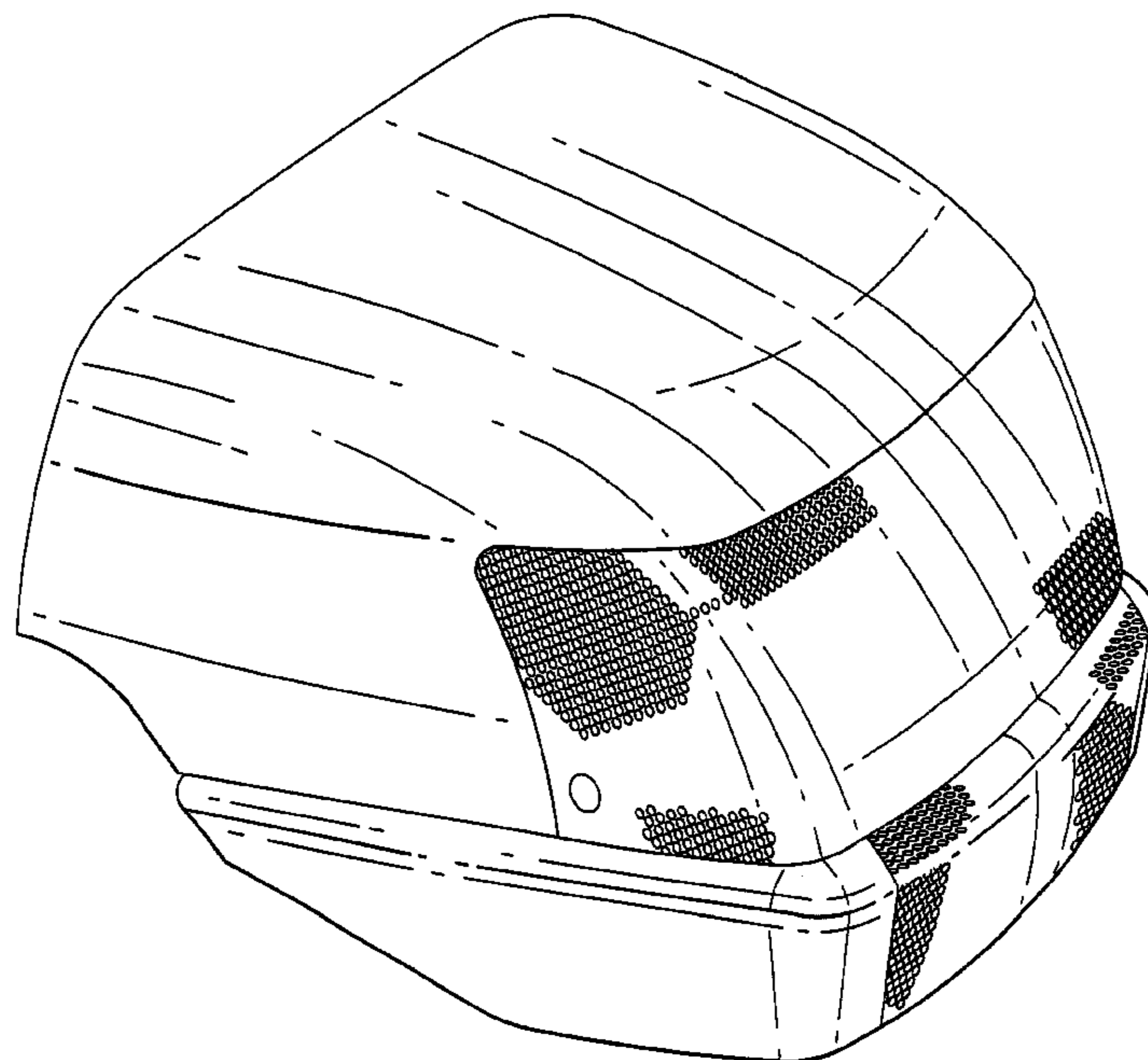
The ornamental design for a hood portion of a riding-type mower, as shown and described.

DESCRIPTION

FIG. 1 is a right side view of the hood portion of a riding-type mower in accordance with the present invention; FIG. 2 is a left side view of the hood portion of a riding-type mower shown in FIG. 1; FIG. 3 is a rear view of the hood portion of a riding-type mower shown in FIG. 1; FIG. 4 is a top plan view of the hood portion of a riding-type mower shown in FIG. 1; FIG. 5 is a rear side perspective view of the hood portion of a riding-type mower shown in FIG. 1; FIG. 6 is a front view of the hood portion of a riding-type mower shown in FIG. 1; FIG. 7 is a perspective right side view of the hood portion of a riding-type mower shown in FIG. 1; and FIG. 8 is a perspective left side view of the hood portion of a riding-type mower shown in FIG. 1.

Broken-line illustrations in the drawings are intended to represent the environment of the subject invention and are not part of the design sought to be patented. The partial patterns illustrated on the right and left sides of FIG. 6 and FIG. 7 are representative of the same pattern which extends across the face of hood portion as shown in FIG. 3. These partial patterns, which also exist in FIG. 8, are used to permit the use of shading lines the contour of the hood portion in FIG. 6, FIG. 7, and FIG. 8.

1 Claim, 8 Drawing Sheets



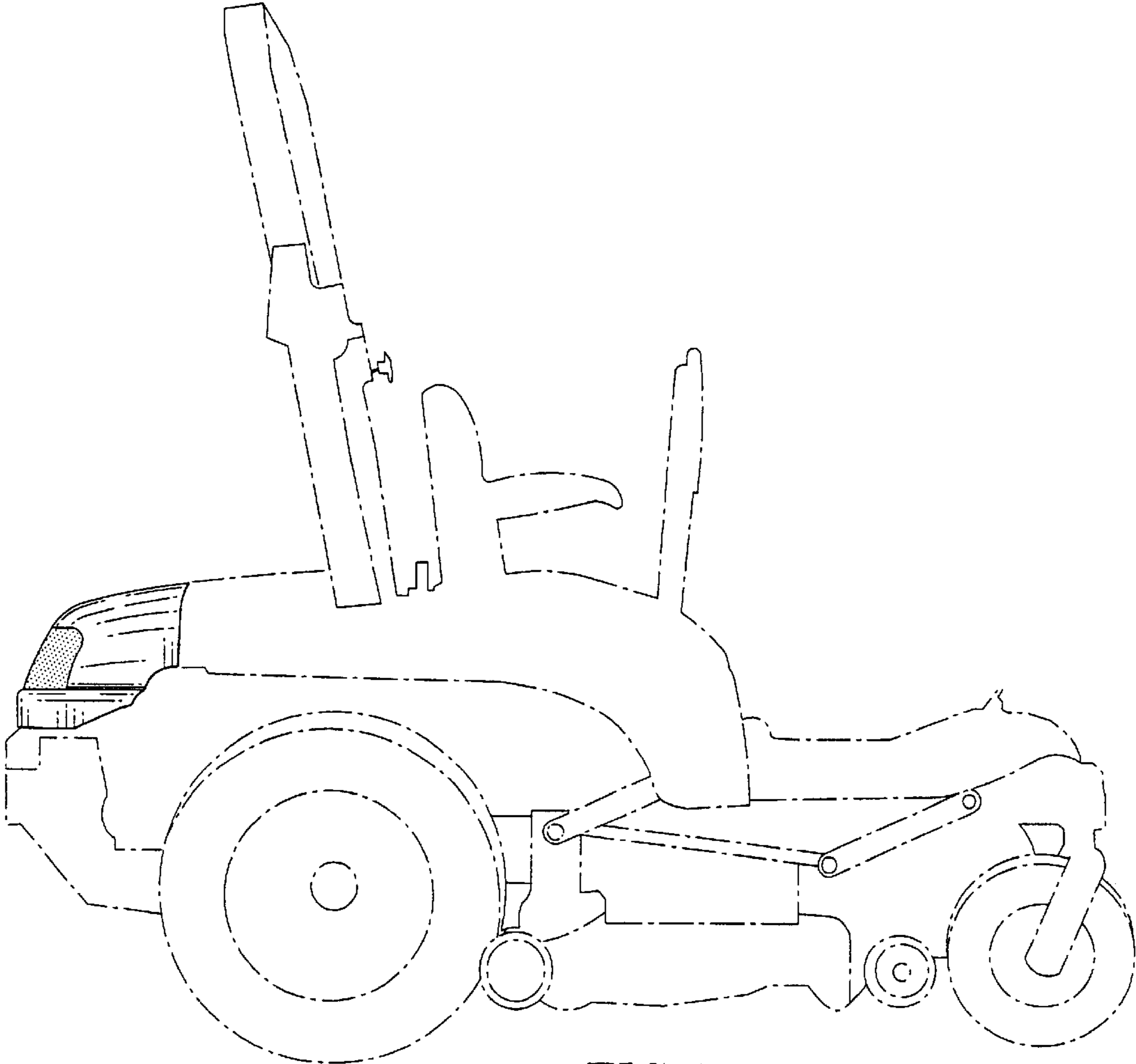


FIG.1

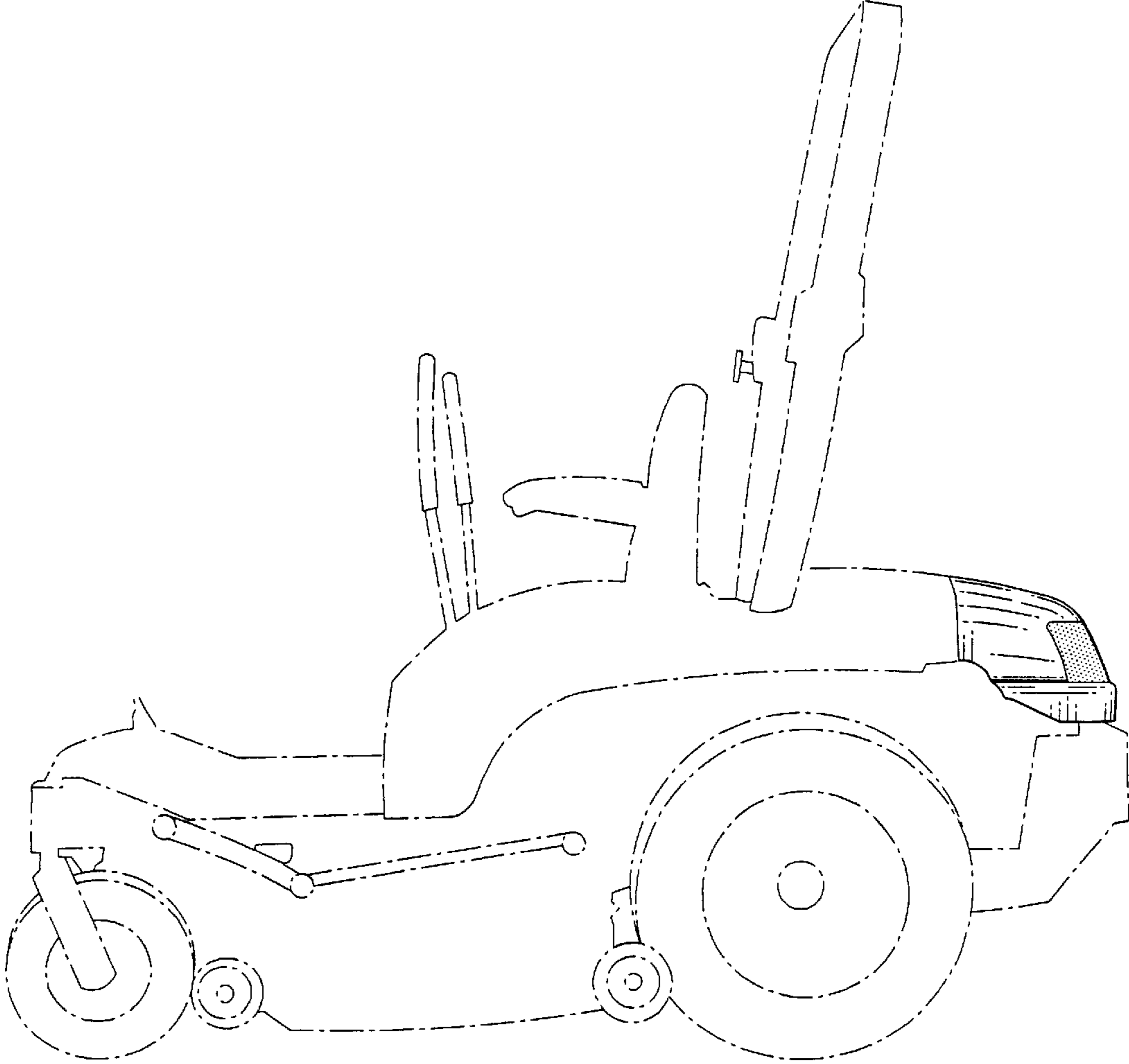


FIG. 2

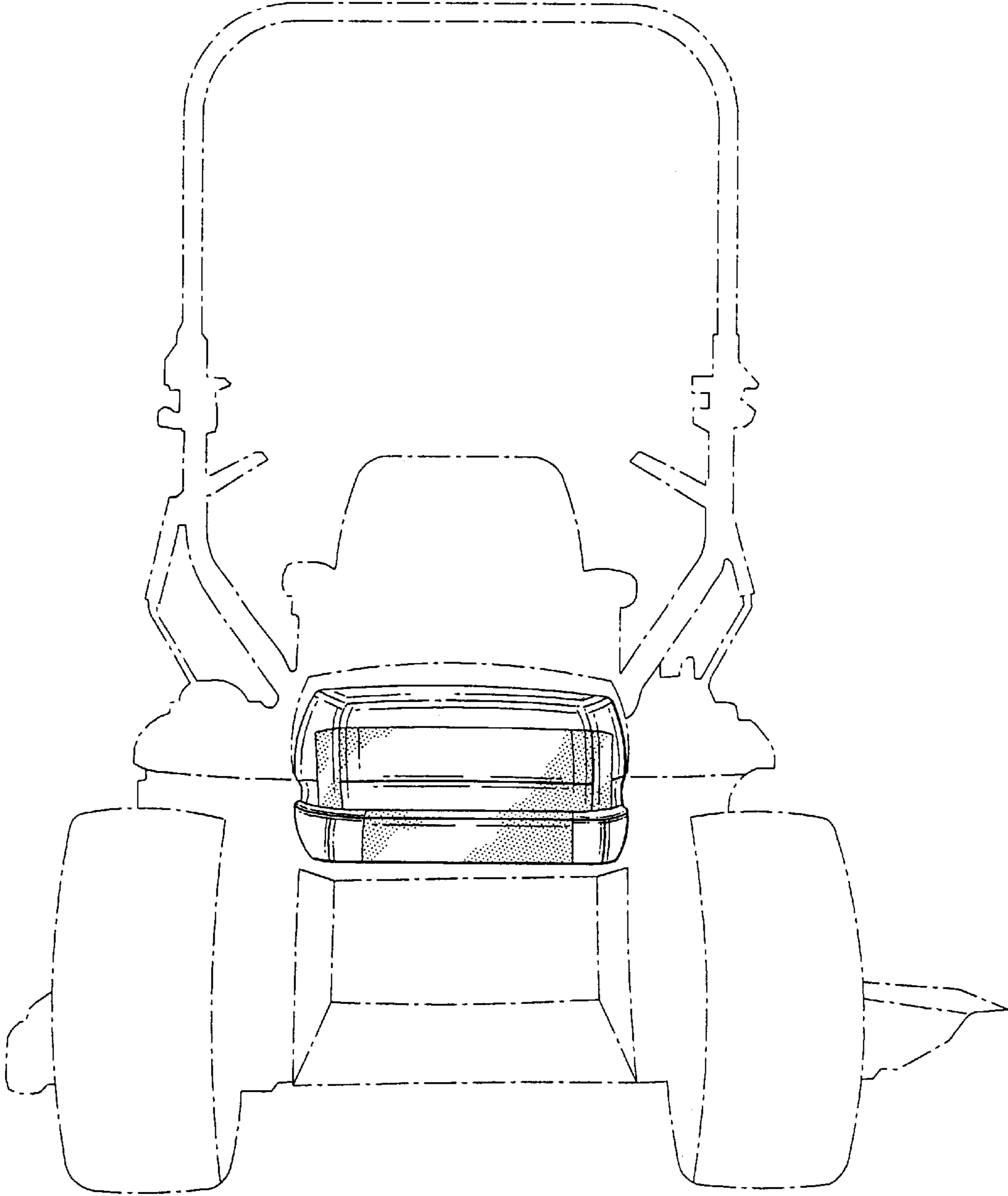


FIG. 3

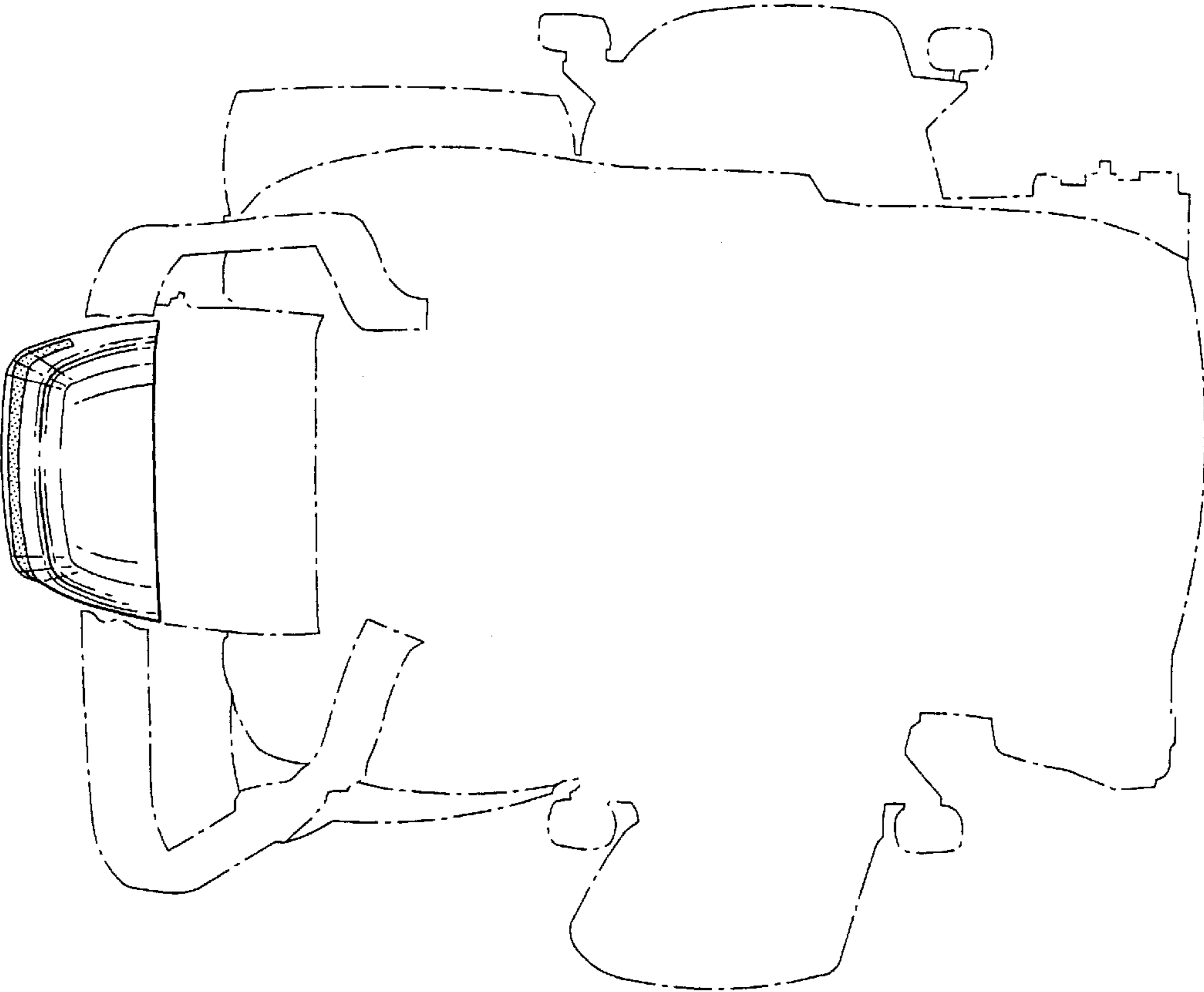


FIG. 4

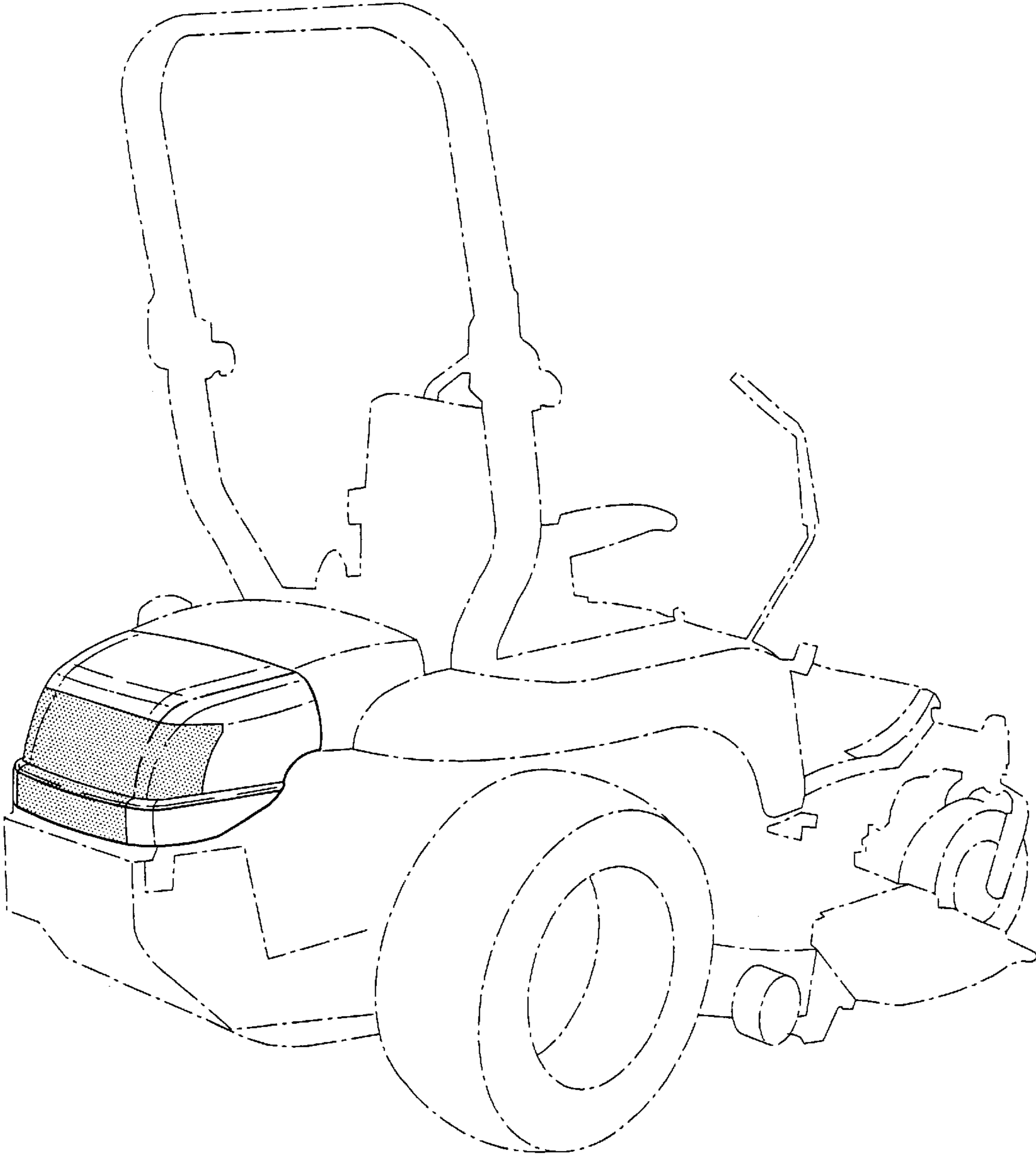


FIG. 5

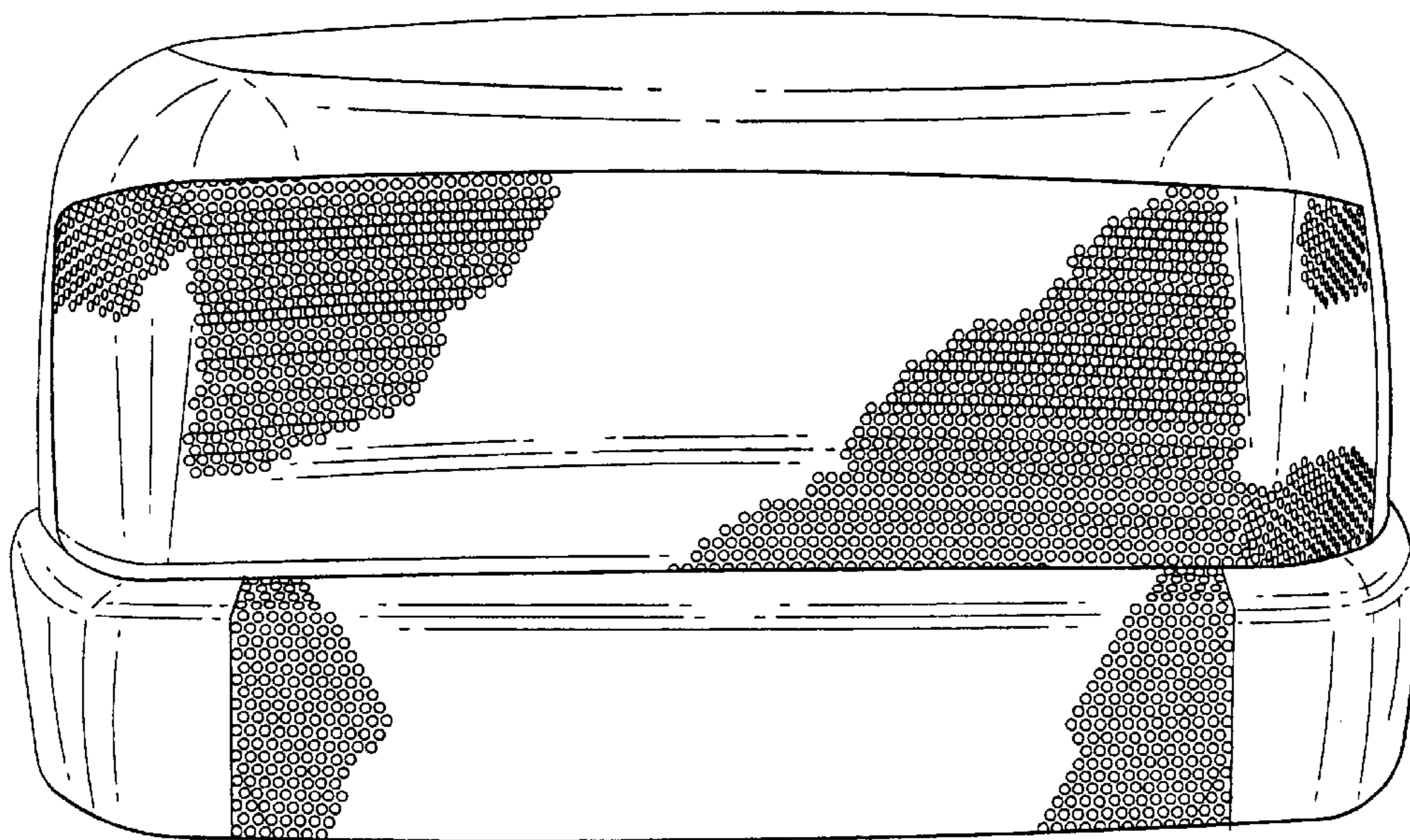


FIG. 6

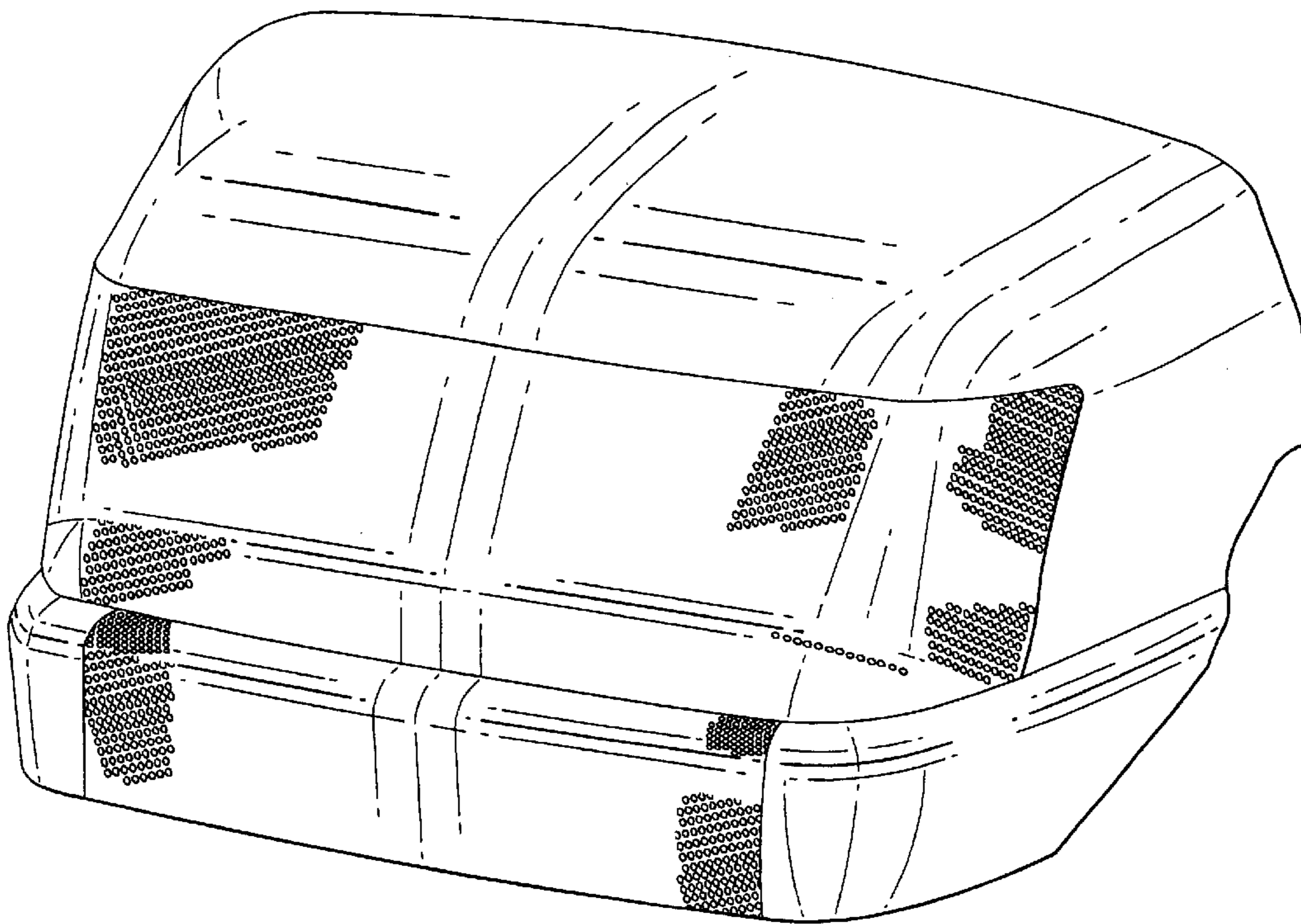


FIG. 7

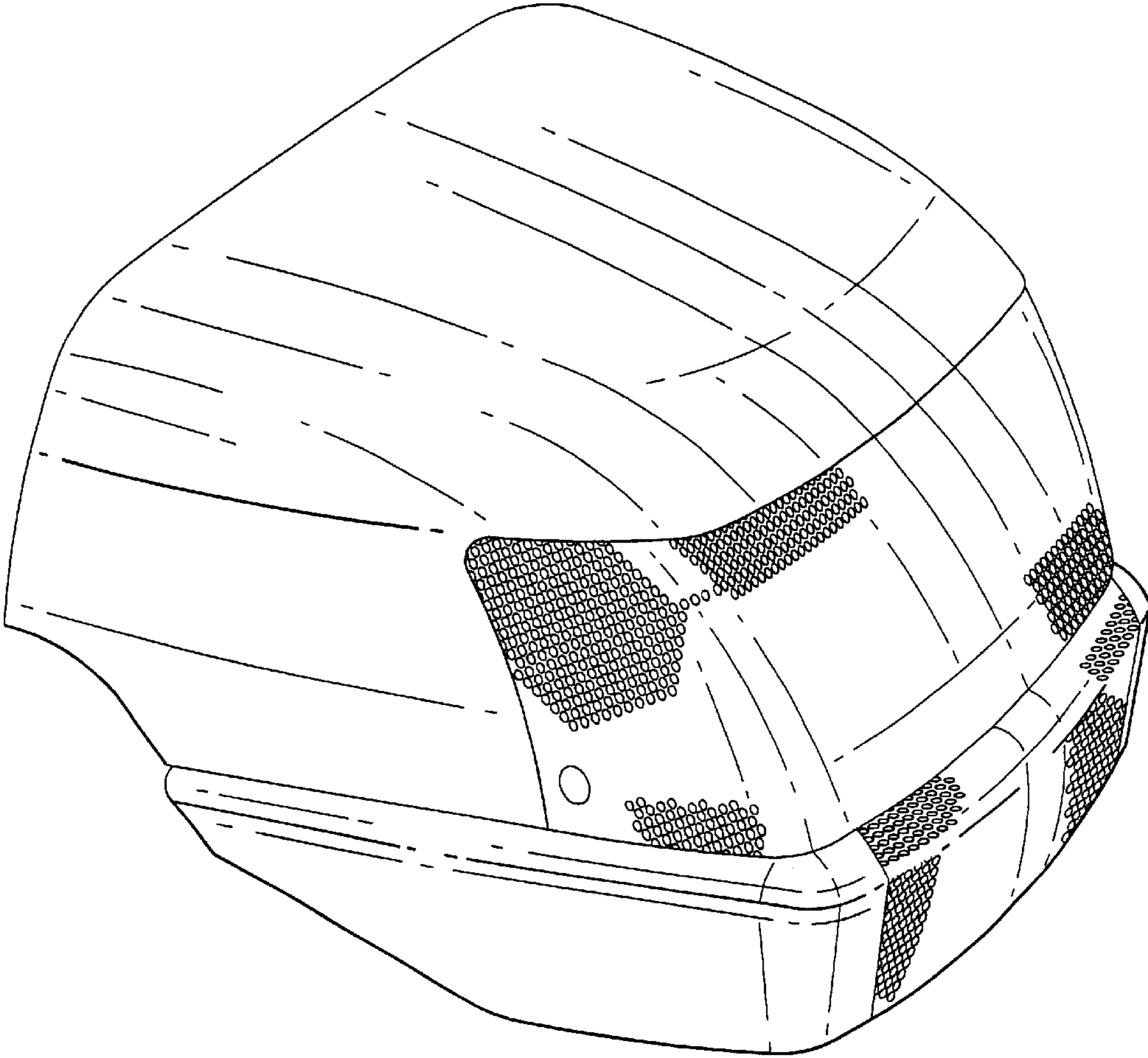


FIG. 8

UNITED STATES PATENT AND TRADEMARK OFFICE
CERTIFICATE OF CORRECTION

PATENT NO. : Des. 507,582 S
DATED : July 19, 2005
INVENTOR(S) : Yoshitaka Higashikawa

Page 1 of 1

It is certified that error appears in the above-identified patent and that said Letters Patent is hereby corrected as shown below:

Title page,
Item [57], **DESCRIPTION,**
Line 24, "lines the contour" should read -- lines showing the contour --.

Signed and Sealed this

Fourteenth Day of February, 2006

A handwritten signature in black ink on a light gray dotted background. The signature reads "Jon W. Dudas" in a cursive style.

JON W. DUDAS

Director of the United States Patent and Trademark Office