

US00D507580S

(12) **United States Design Patent** (10) **Patent No.:** **US D507,580 S**  
**Rossman et al.** (45) **Date of Patent:** **\*\* Jul. 19, 2005**

(54) **PUMP**

(75) Inventors: **Christopher A. Rossman**, Comstock Park, MI (US); **Timothy W. Sytsma**, Rockford, MI (US); **Jason E. Begin**, Rockford, MI (US)

(73) Assignee: **Attwood Corporation**, Lowell, MI (US)

(\*\*) Term: **14 Years**

(21) Appl. No.: **29/217,871**

(22) Filed: **Nov. 22, 2004**

**Related U.S. Application Data**

(63) Continuation of application No. 29/187,560, filed on Aug. 1, 2003.

(51) **LOC (8) Cl.** ..... **15-02**

(52) **U.S. Cl.** ..... **D15/7**

(58) **Field of Search** ..... D15/7-9; 417/321, 417/410, 413.1, 415, 423.3, 486, 521, 534, 423.1; 415/214.1, 148, 201; 15/327.2, 327.6

(56) **References Cited**

**U.S. PATENT DOCUMENTS**

1,875,419	A	*	9/1932	Claypool	.....	415/183
D229,235	S	*	11/1973	Bunch	.....	D15/7
D329,650	S	*	9/1992	Whitley, II	.....	D15/7
D401,944	S	*	12/1998	Campbell	.....	D15/7
D464,362	S	*	10/2002	Tsai	.....	D15/7
D471,561	S	*	3/2003	Kohsaka	.....	D15/7
D482,699	S	*	11/2003	Graf et al.	.....	D15/7

\* cited by examiner

*Primary Examiner*—Ralf Seifert

(74) *Attorney, Agent, or Firm*—Price, Heneveld, Cooper, DeWitt & Litton, LLP

(57) **CLAIM**

We claim the ornamental design for the pump, as shown.

**DESCRIPTION**

FIG. 1 is a perspective view showing the rear, top, and a first side of a first embodiment of the pump of the present invention;

FIG. 2 is an elevational view of the first side of the first embodiment of the pump of the present invention;

FIG. 3 is an elevational view of a front of the first embodiment of the pump of the present invention;

FIG. 4 is an elevational view of a second side of the first embodiment of the pump of the present invention;

FIG. 5 is an elevational view of the rear of the first embodiment of the pump of the present invention;

FIG. 6 is a plan view of the top of the first embodiment of the pump of the present invention;

FIG. 7 is a plan view of the bottom of the first embodiment of the pump of the present invention;

FIG. 8 is a perspective view showing the rear, top, and a first side of a second embodiment of the pump of the present invention;

FIG. 9 is an elevational view of the first side of the second embodiment of the pump of the present invention;

FIG. 10 is an elevational view of a front of the second embodiment of the pump of the present invention;

FIG. 11 is an elevational view of a second side of the second embodiment of the pump of the present invention;

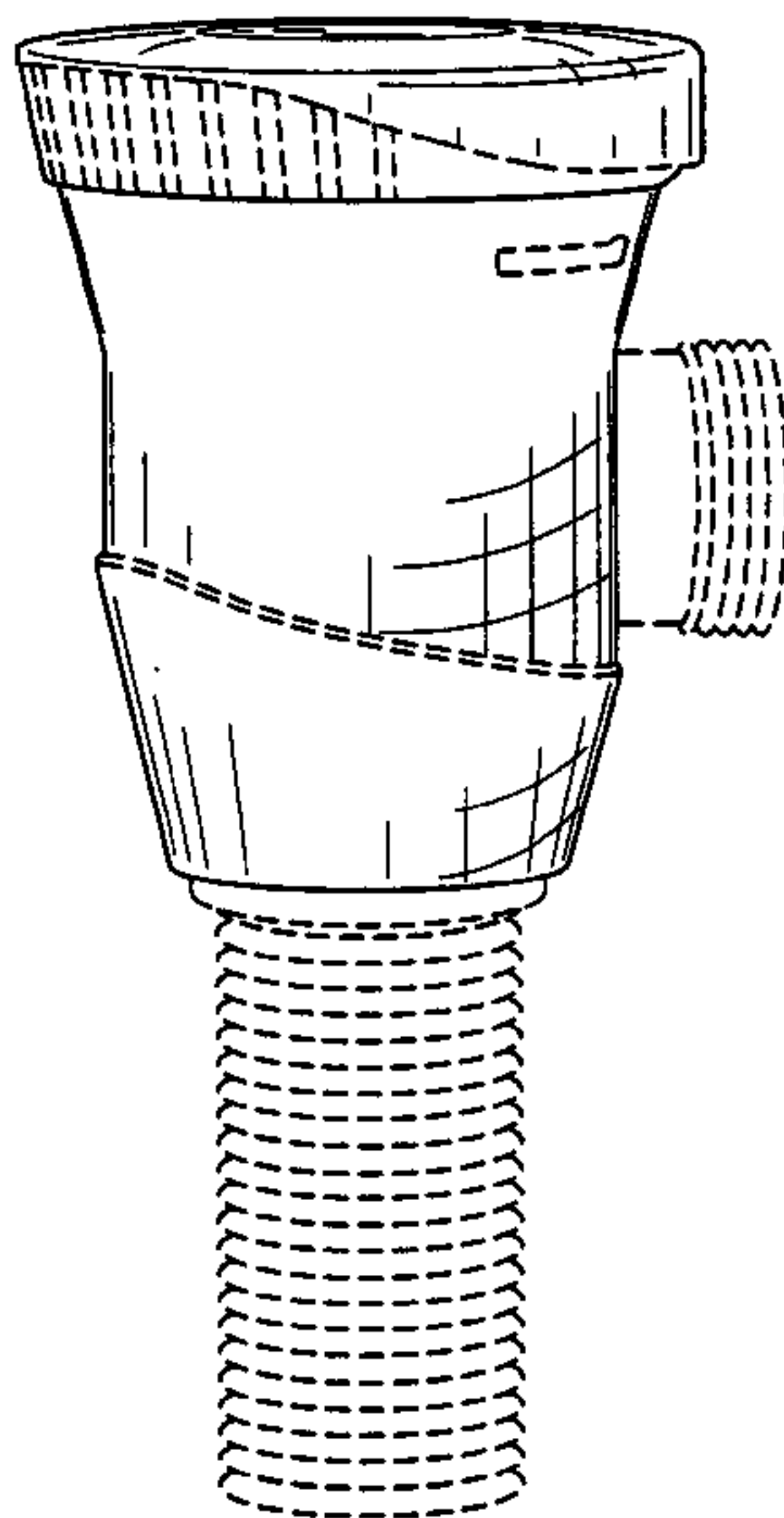
FIG. 12 is an elevational view of the rear of the second embodiment of the pump of the present invention;

FIG. 13 is a plan view of the top of the second embodiment of the pump of the present invention; and,

FIG. 14 is a plan view of the bottom of the second embodiment of the pump of the present invention.

The broken lines shown are for illustrative purposes only and form no part of the claimed design.

**1 Claim, 4 Drawing Sheets**



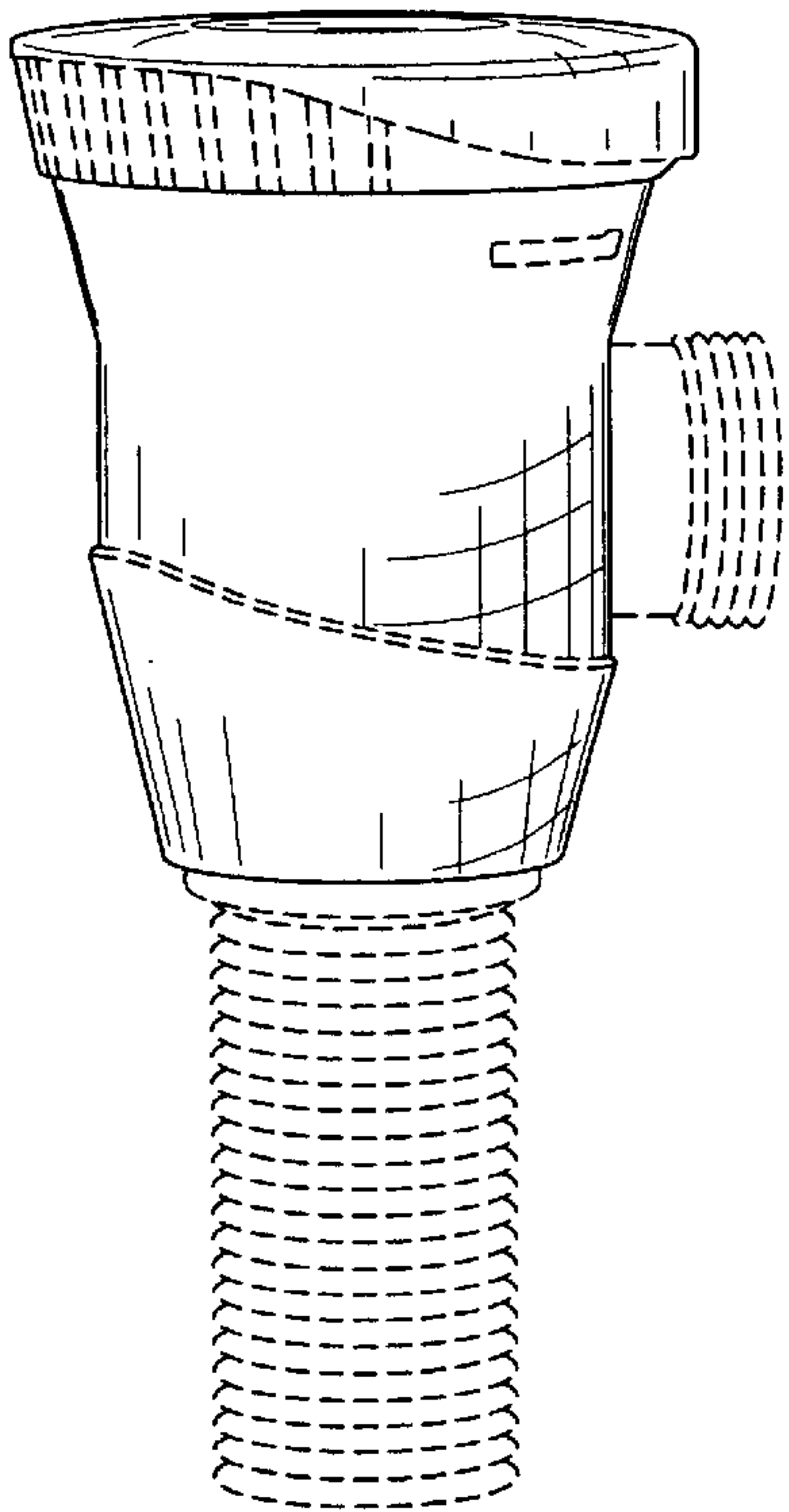


FIG. 1

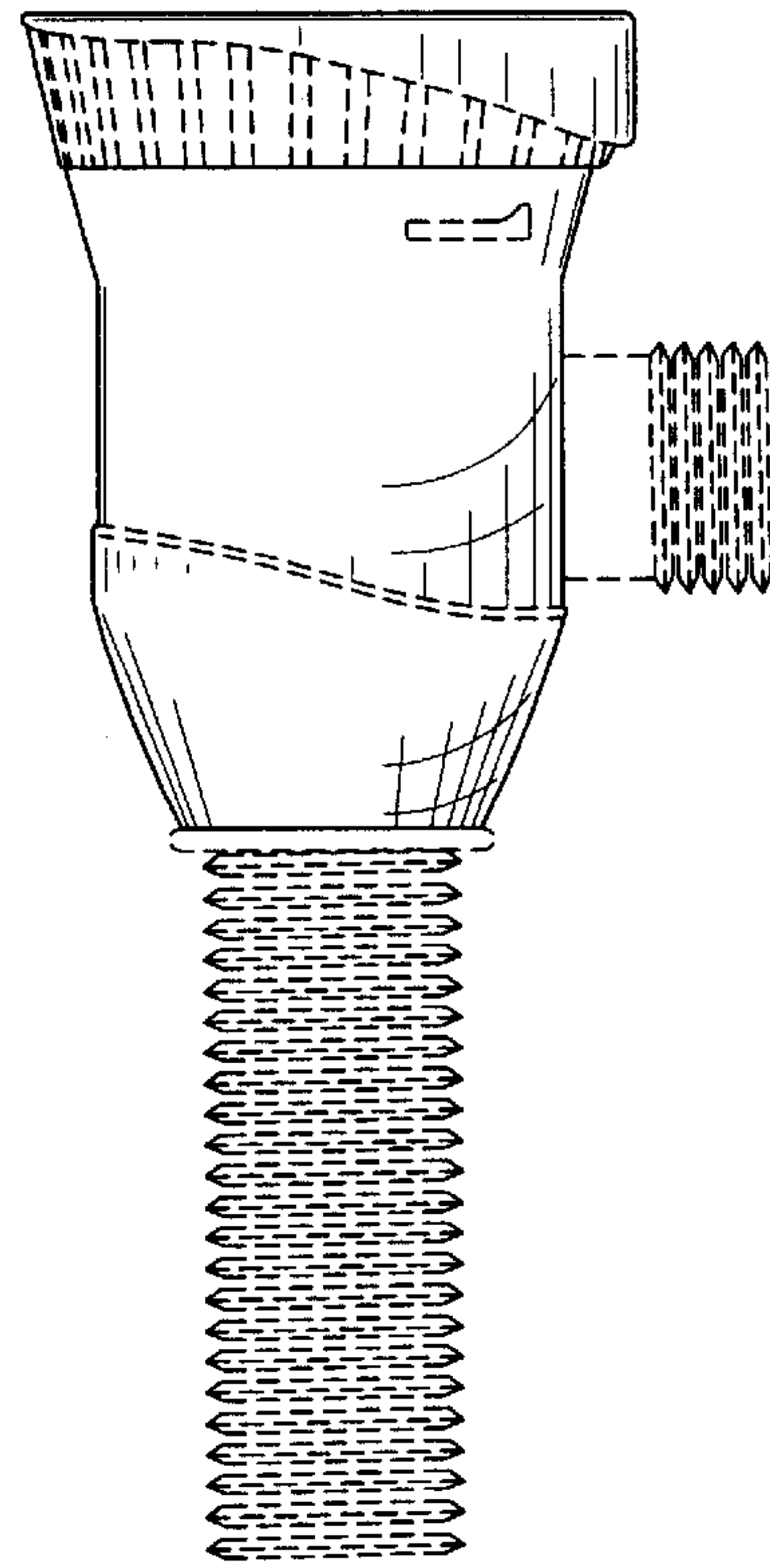


FIG. 2

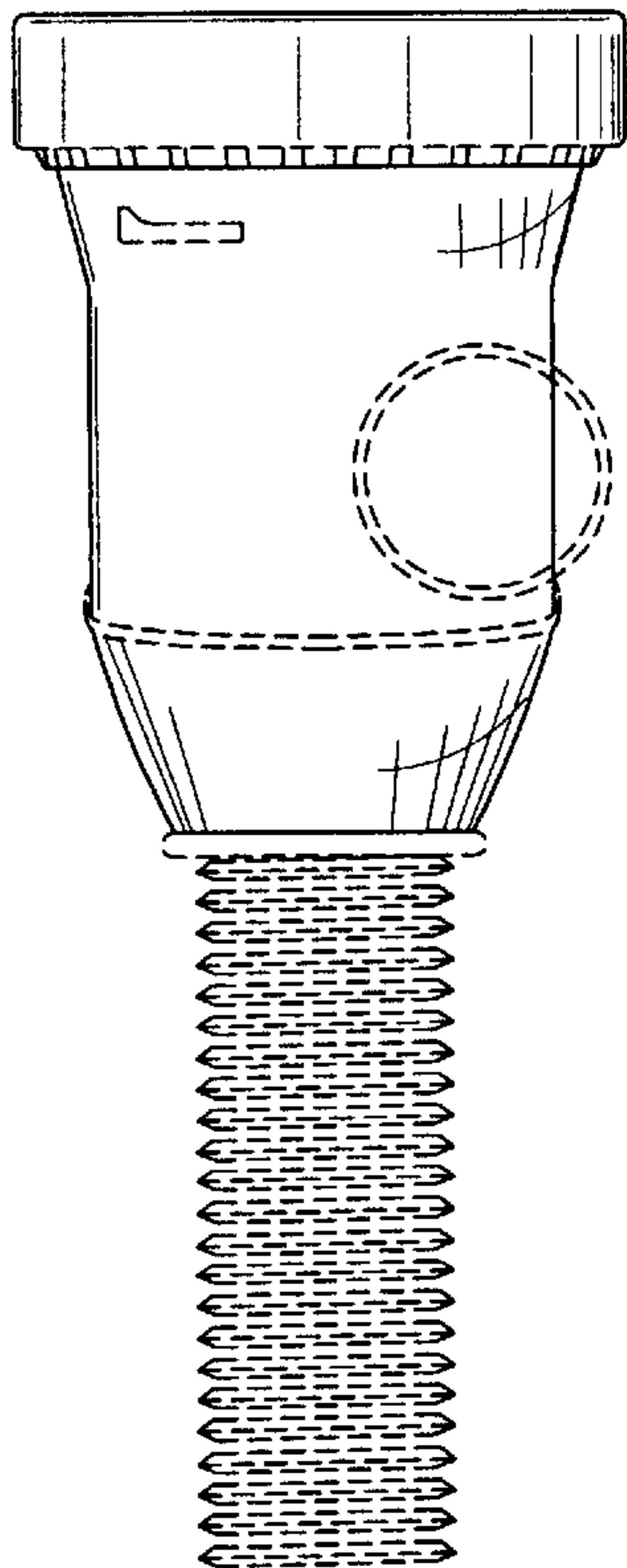


FIG. 3

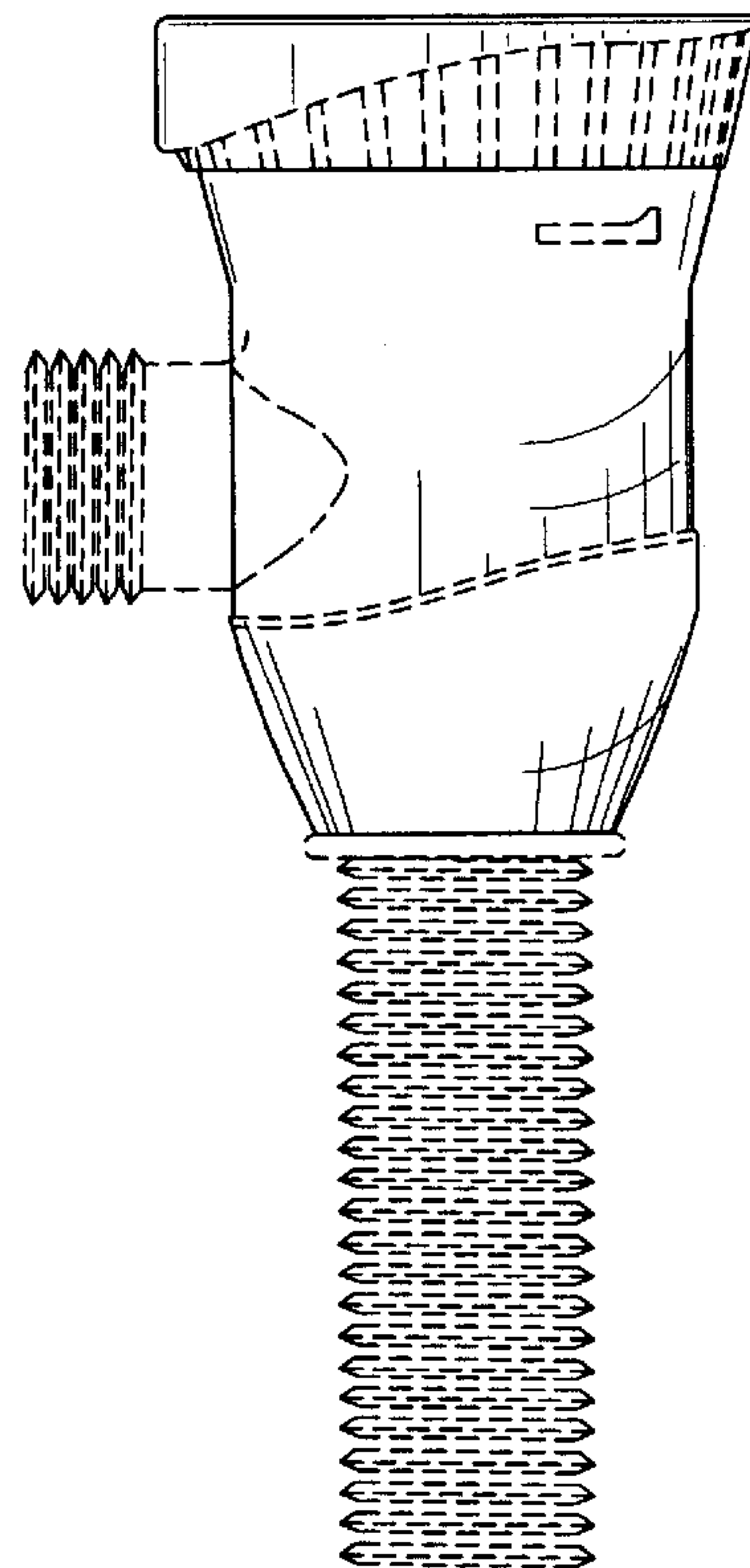


FIG. 4

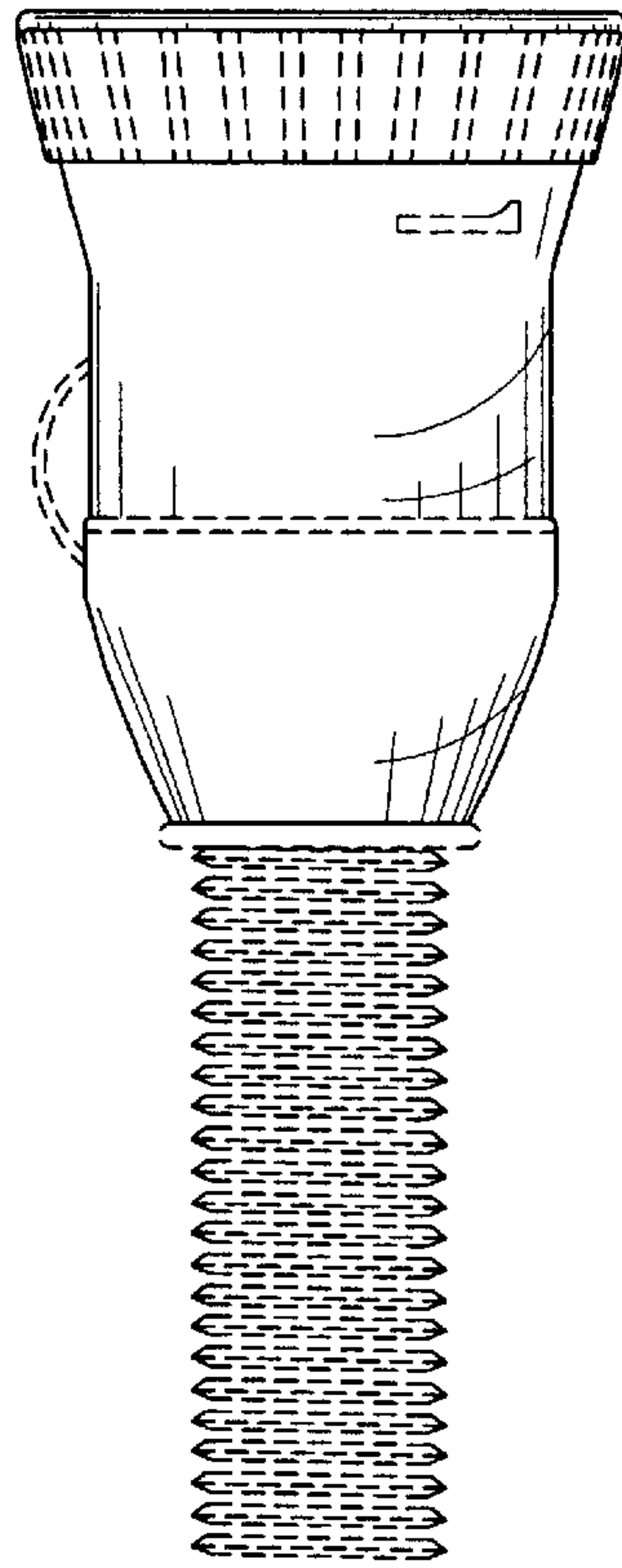


FIG. 5

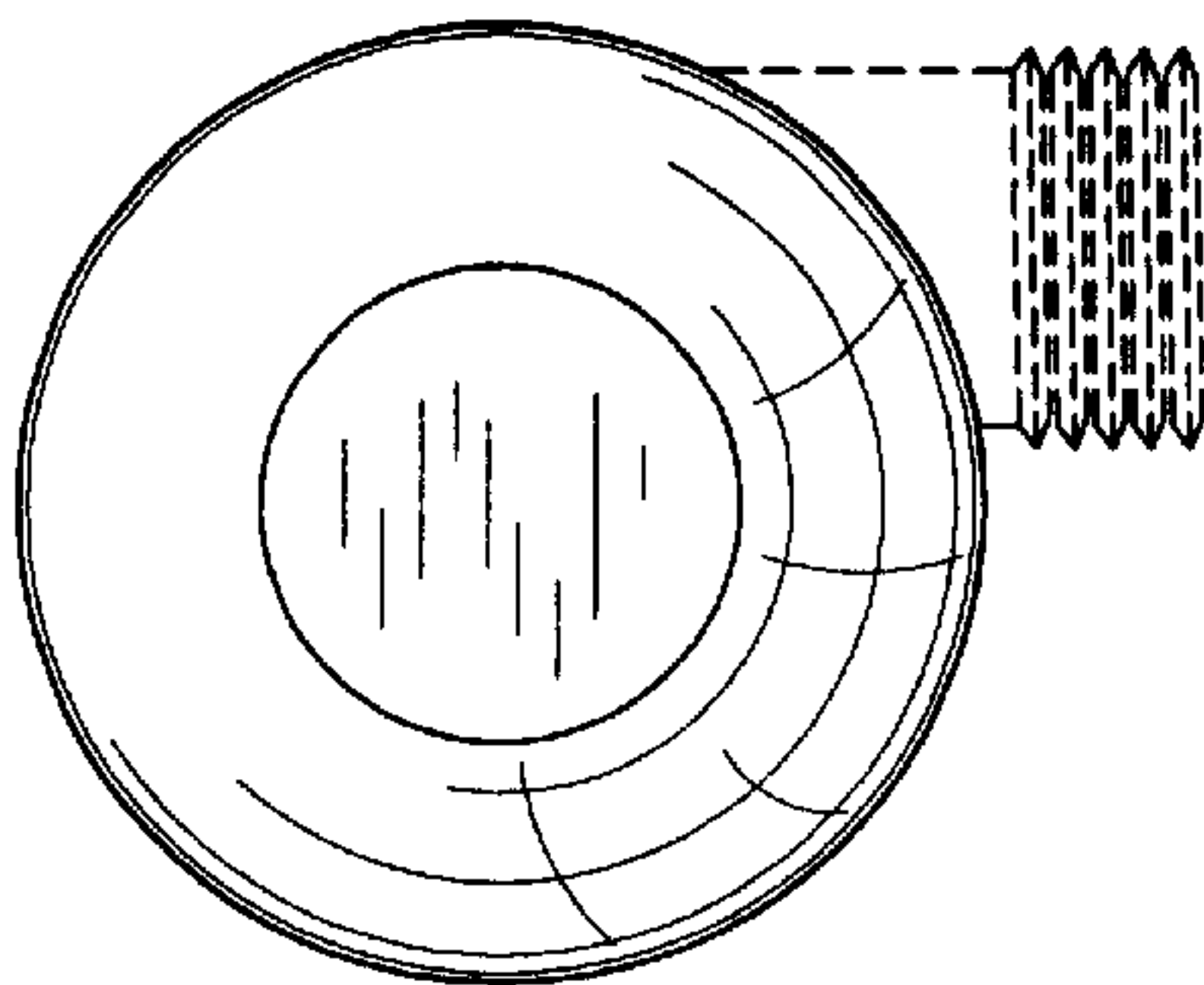


FIG. 6

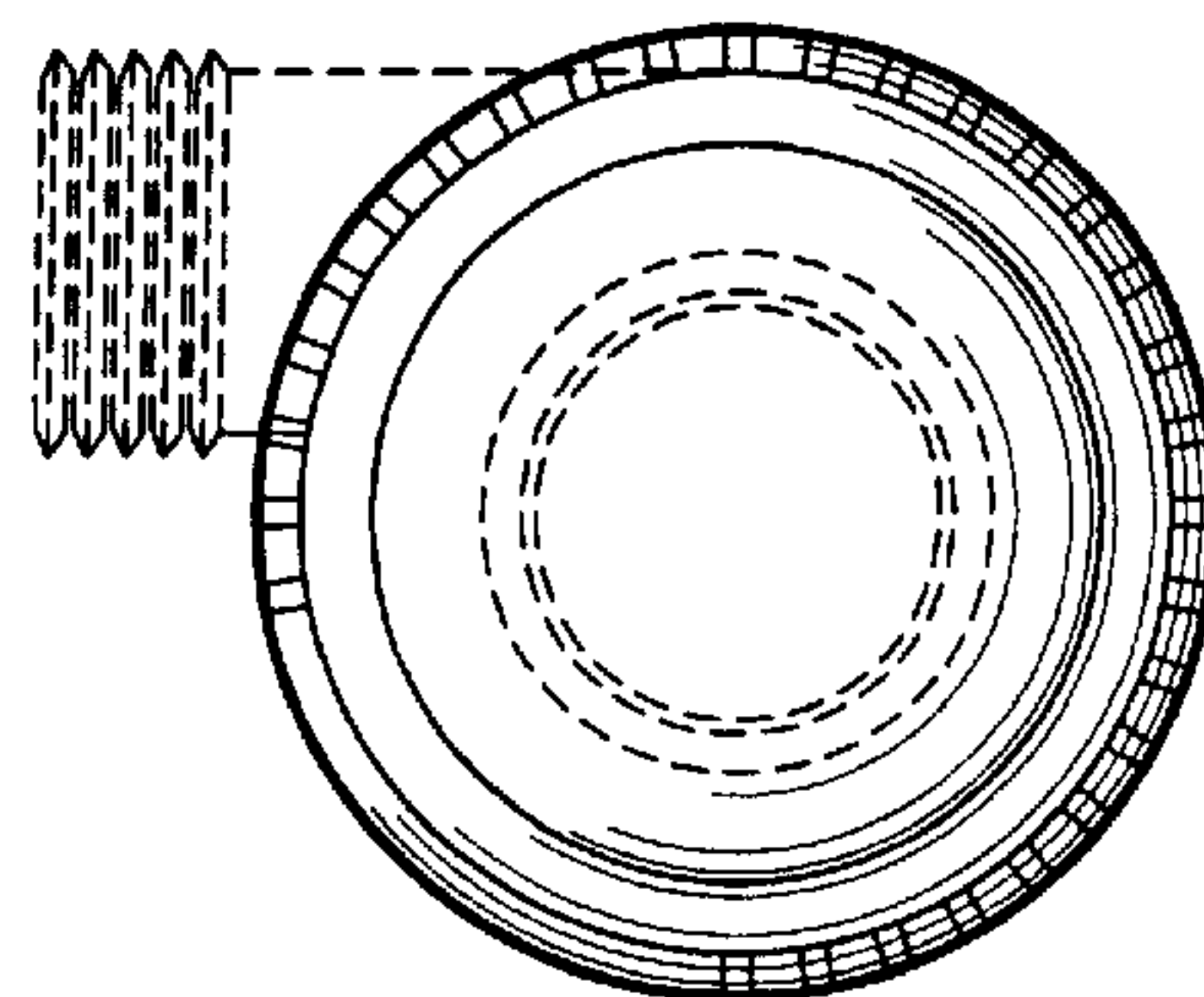


FIG. 7

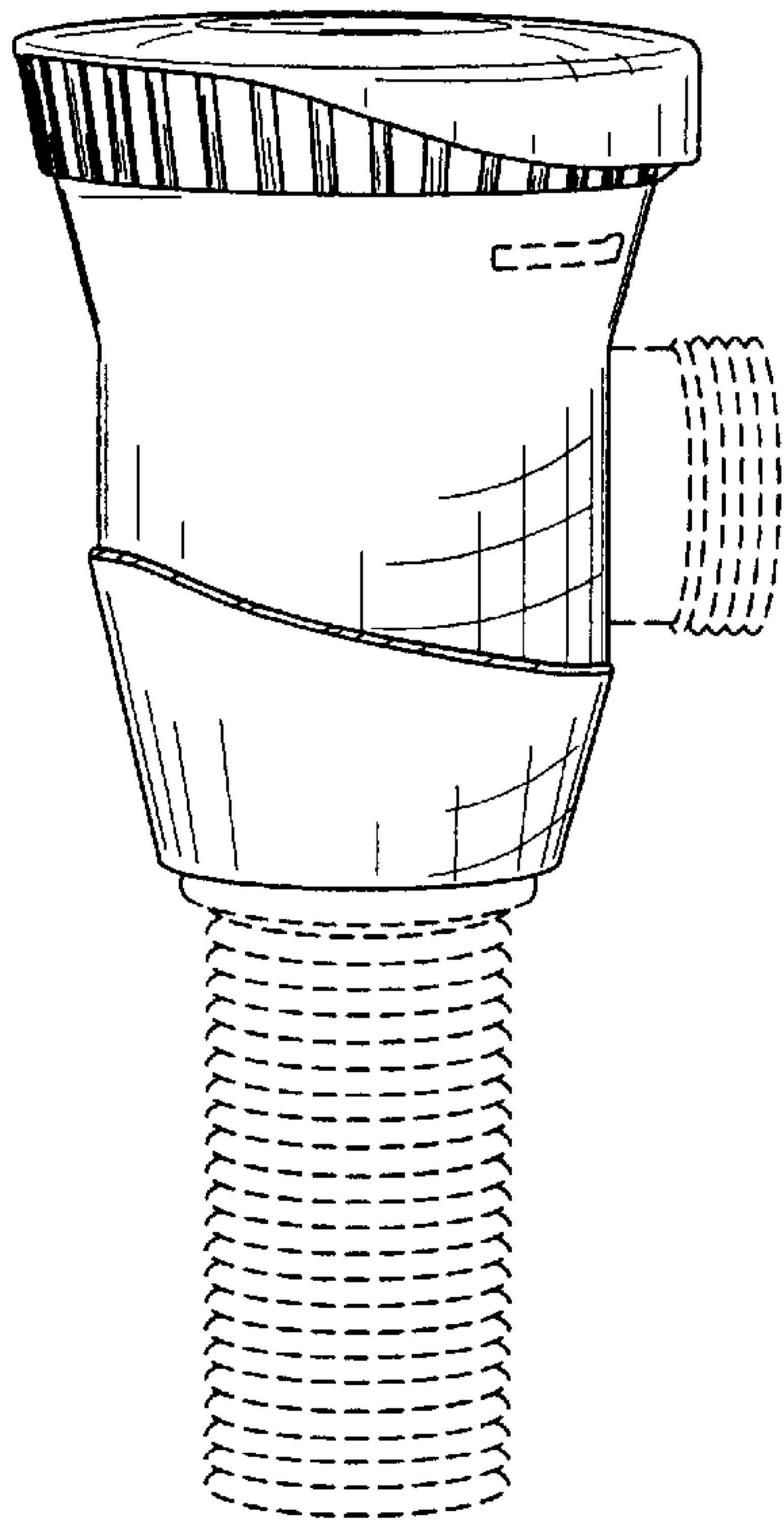


FIG. 8

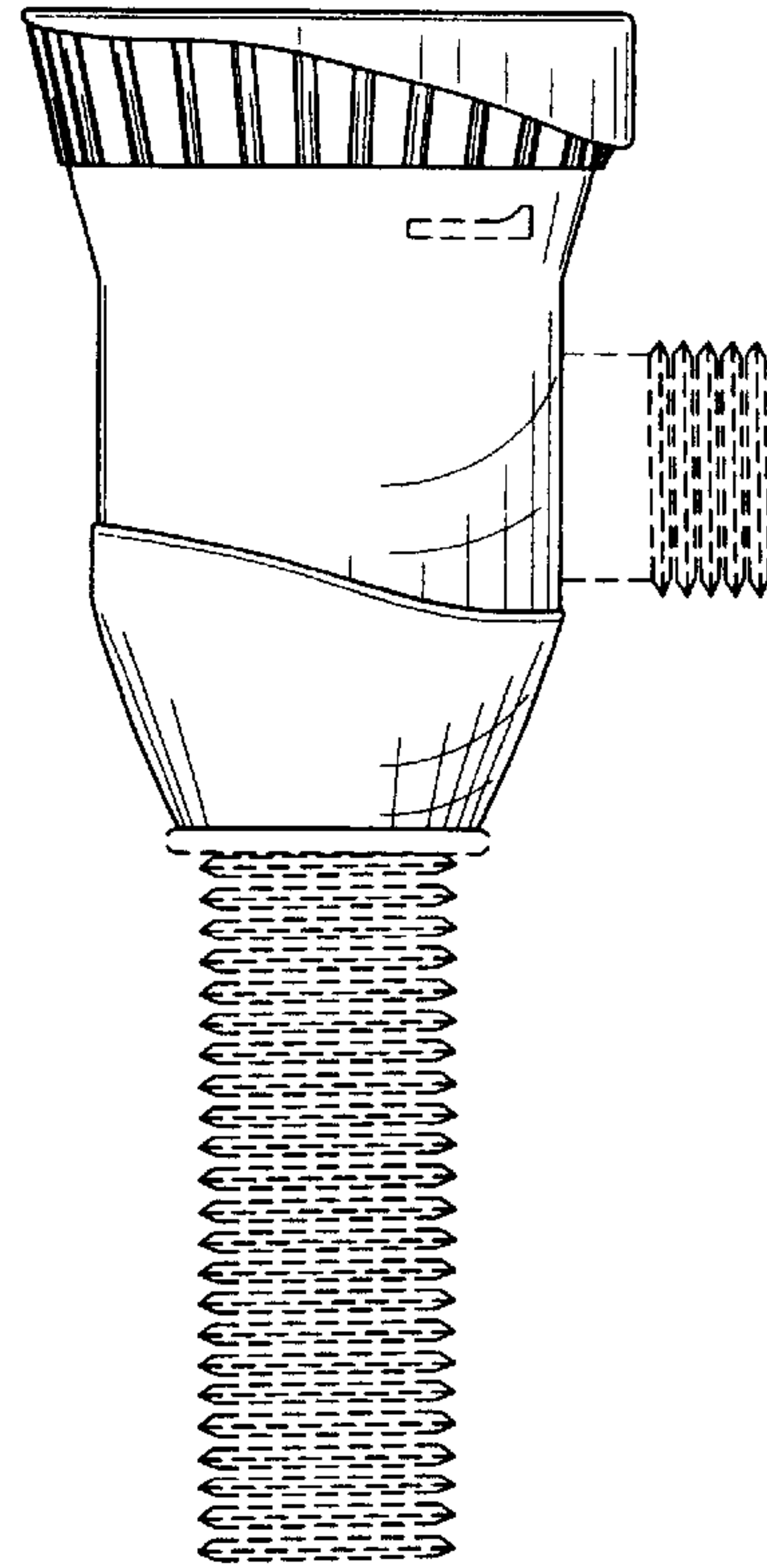


FIG. 9

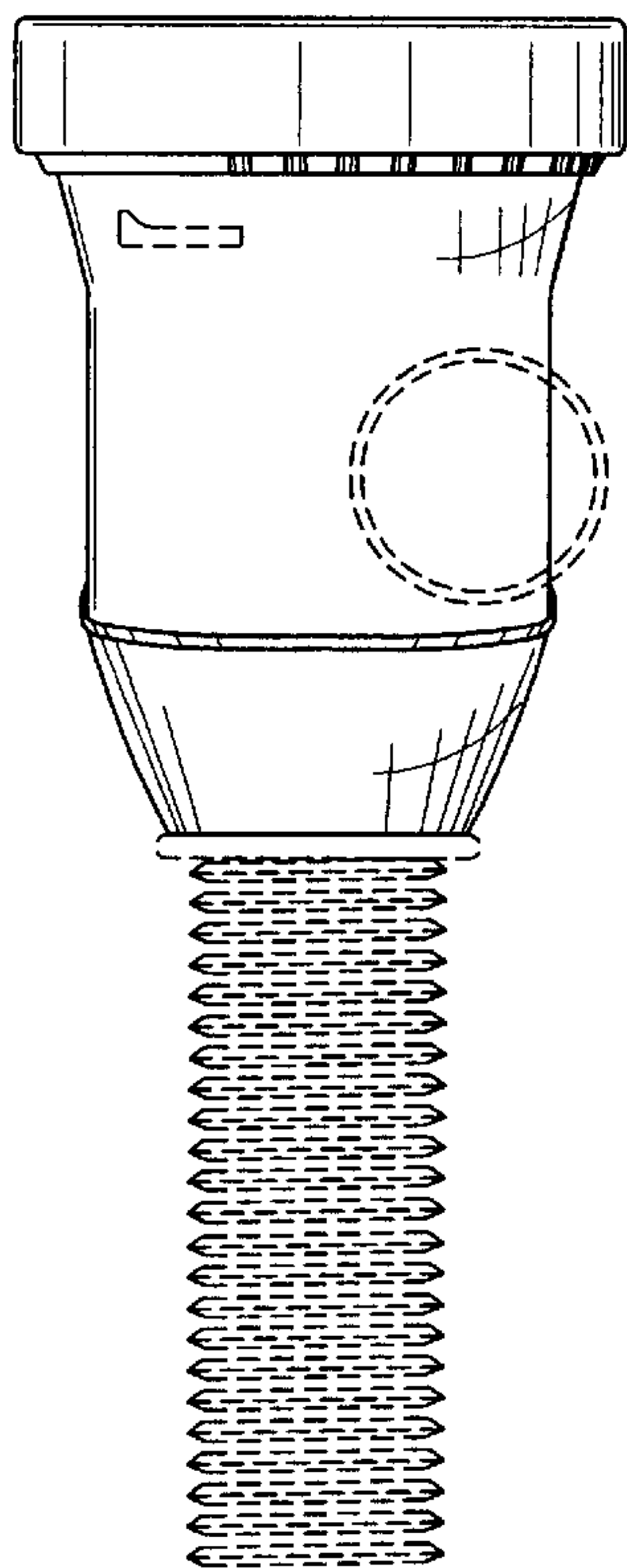


FIG. 10

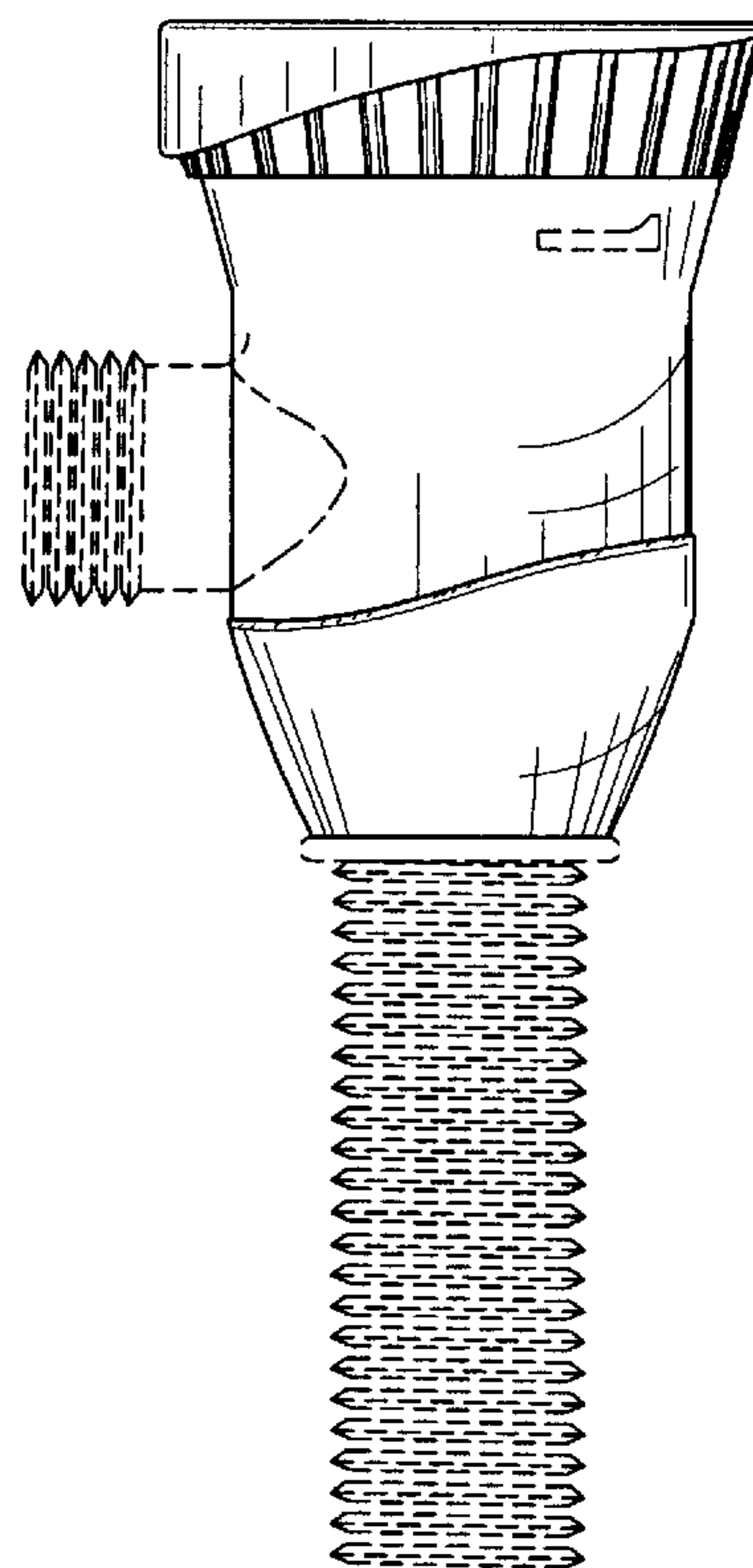


FIG. 11



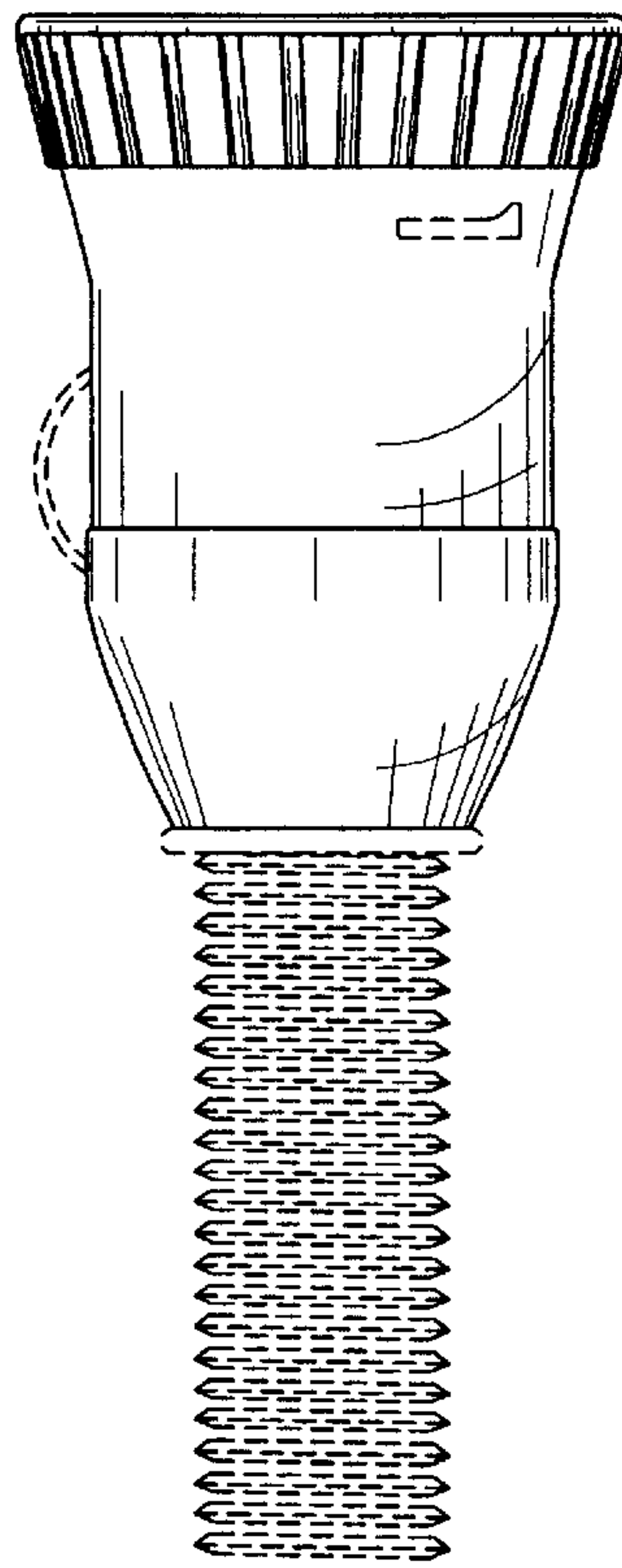


FIG. 12

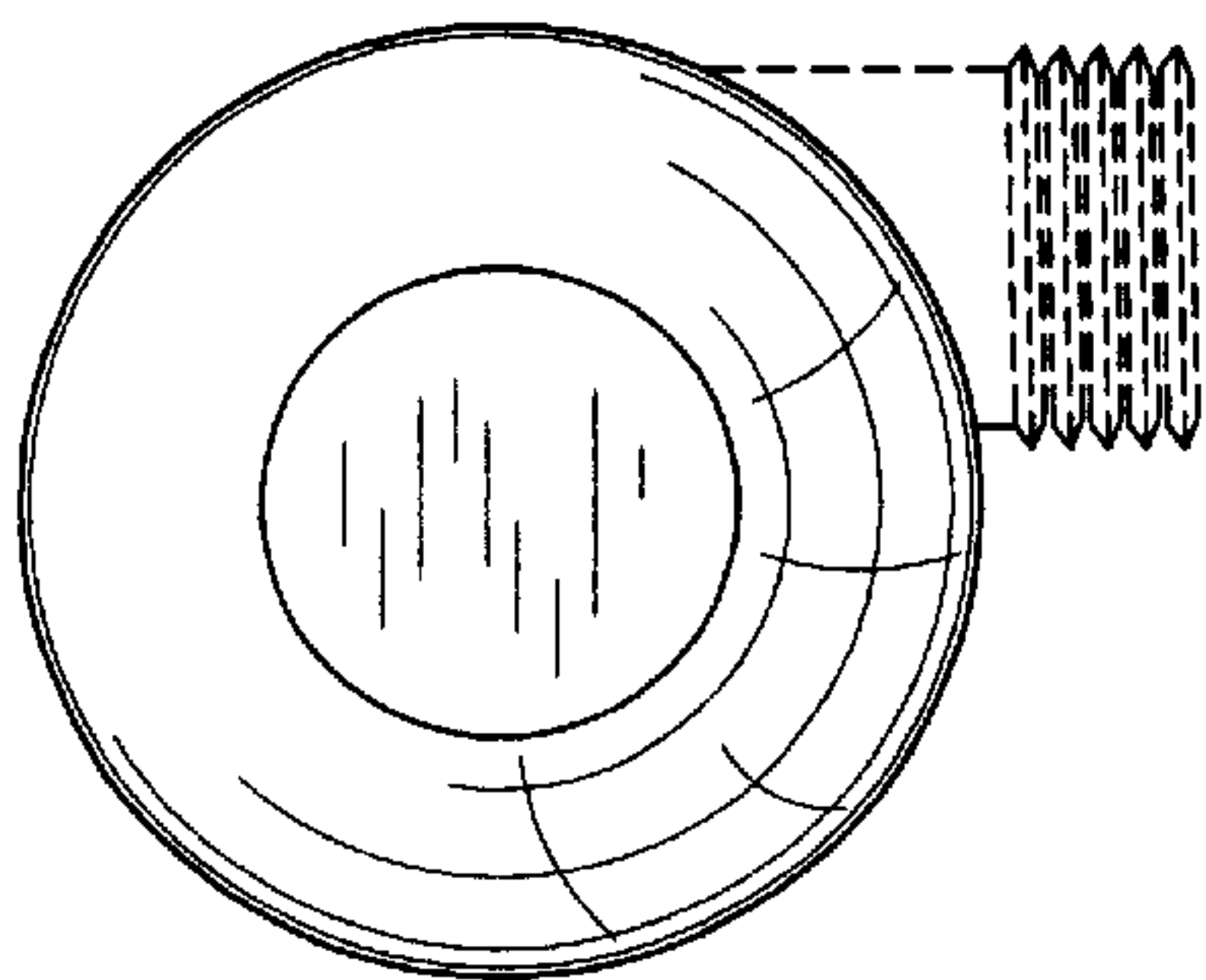


FIG. 13

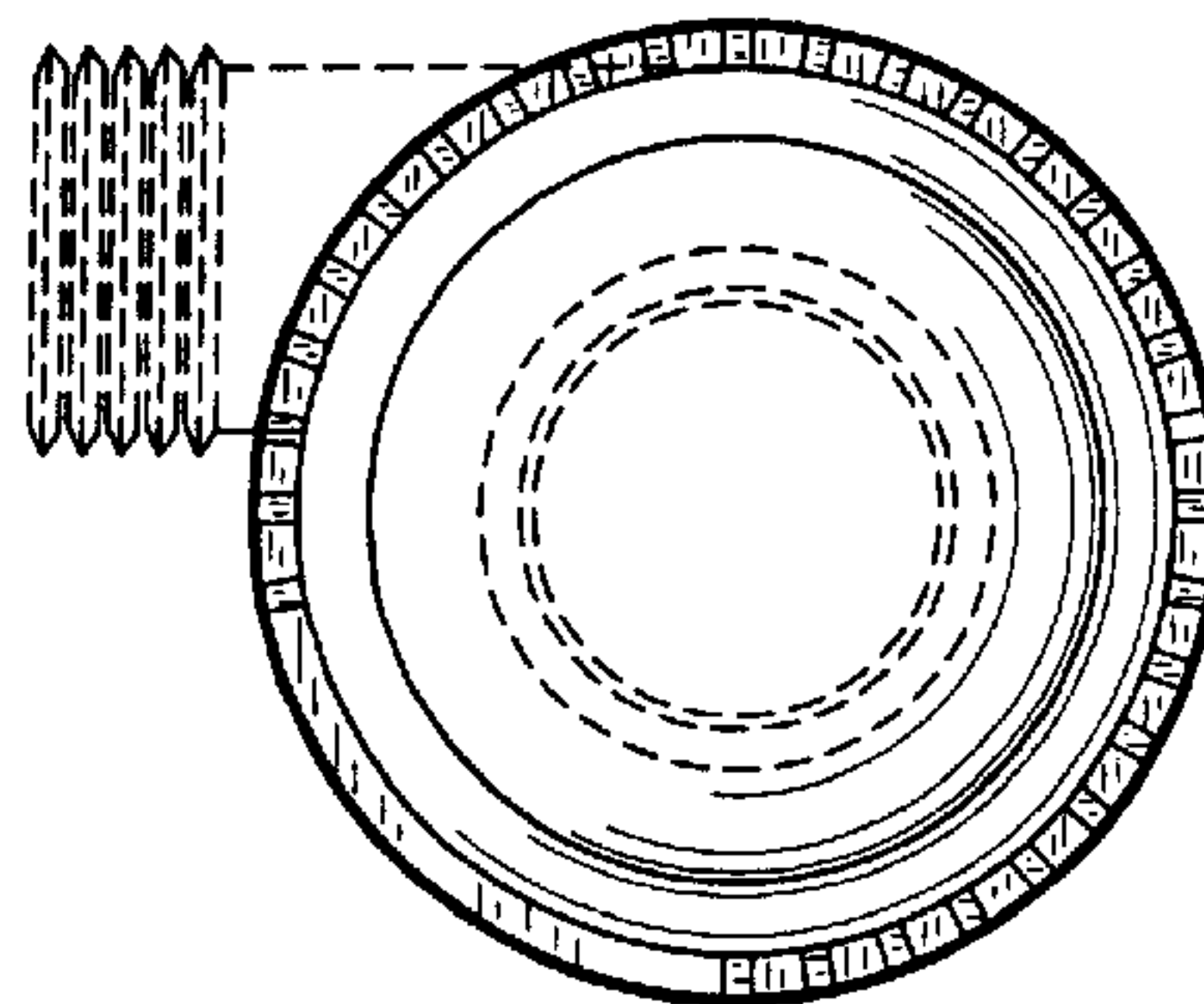


FIG. 14