

US00D507578S

(12) **United States Design Patent** (10) **Patent No.:** **US D507,578 S**  
**Hirakawa et al.** (45) **Date of Patent:** **\*\* \*Jul. 19, 2005**

(54) **TURBINE FOR A PUMP**

6,514,052 B2 \* 2/2003 Bostwick ..... 417/366  
D471,208 S \* 3/2003 Iwane ..... D15/7  
D486,158 S \* 2/2004 Lei et al. .... D15/7

(75) Inventors: **Fuminori Hirakawa**, Saga (JP);  
**Shinya Koga**, Fukuoka (JP); **Toshisuke Sakai**, Fukuoka (JP)

**FOREIGN PATENT DOCUMENTS**

(73) Assignee: **Matsushita Electric Industrial Co., Ltd.**, Osaka (JP)

JP	D785949	4/1990
JP	D785949/1	4/1990
JP	D785949/2	4/1990
JP	D785949/3	4/1990
JP	D785949/4	4/1990
JP	D785949/5	4/1990
JP	D785949/6	4/1990
JP	D1046249	8/1999

(\*) Notice: This patent is subject to a terminal disclaimer.

(\*\*) Term: **14 Years**

\* cited by examiner

(21) Appl. No.: **29/185,048**

*Primary Examiner*—Ralf Seifert

(22) Filed: **Jun. 20, 2003**

(74) *Attorney, Agent, or Firm*—Brinks Hofer Gilson & Lione

(30) **Foreign Application Priority Data**

Dec. 24, 2002 (JP) ..... 2002-035684

(51) **LOC (8) Cl.** ..... **15-02**

(52) **U.S. Cl.** ..... **D15/7**

(58) **Field of Search** ..... D15/7-9; D23/231,  
D23/232; 417/410.4, 359, 415, 410.3, 234,  
229, 321, 265, 405; 416/175, 183-185,  
188, 366

(57) **CLAIM**

The ornamental design for a turbine for a pump, as shown and described.

**DESCRIPTION**

FIG. 1 is a top perspective view of a turbine for a pump of the present invention;  
FIG. 2 is a first side view thereof;  
FIG. 3 is a top view thereof;  
FIG. 4 is a second side view thereof;  
FIG. 5 is a third side view thereof;  
FIG. 6 is a fourth side view thereof; and,  
FIG. 7 is a bottom view thereof.

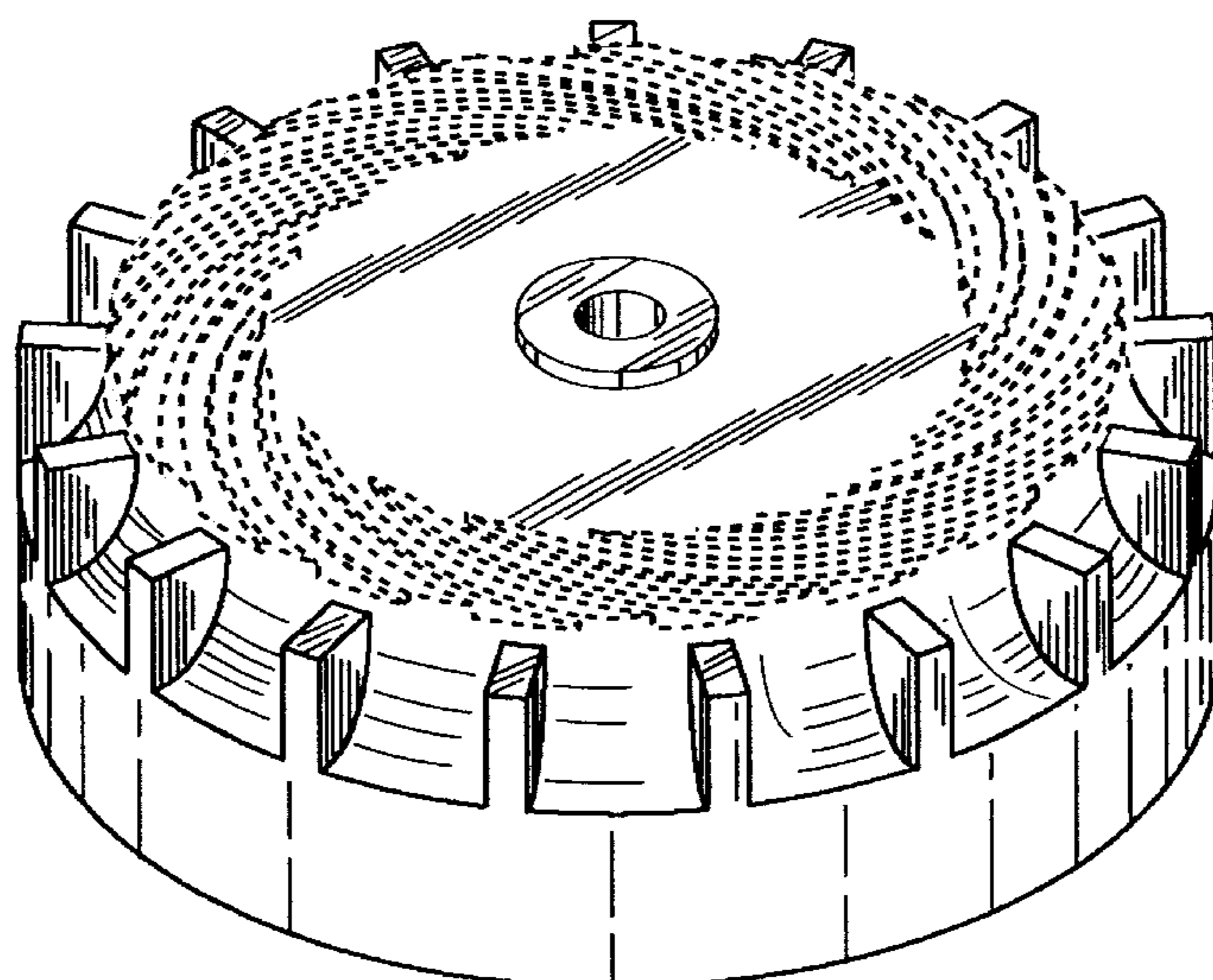
The ornamental design which is claimed is shown in solid lines in the drawings. Any broken lines in the drawings are for illustrative purposes only and form no part of the claimed design.

(56) **References Cited**

**U.S. PATENT DOCUMENTS**

2,465,671	A	*	3/1949	van Millingen et al.	....	416/188
4,167,369	A	*	9/1979	Ishihara	.....	416/185
D258,588	S	*	3/1981	Sugiura	.....	D15/7
D258,589	S	*	3/1981	Sugiura	.....	D15/7
D262,538	S	*	1/1982	Erikson	.....	D15/7
D268,112	S	*	3/1983	Sugiura	.....	D15/7
D441,767	S	*	5/2001	Wolbers	.....	D15/7
D443,281	S	*	6/2001	Sodergard	.....	D15/7
6,435,828	B1	*	8/2002	Bostwick	.....	416/175

**1 Claim, 3 Drawing Sheets**



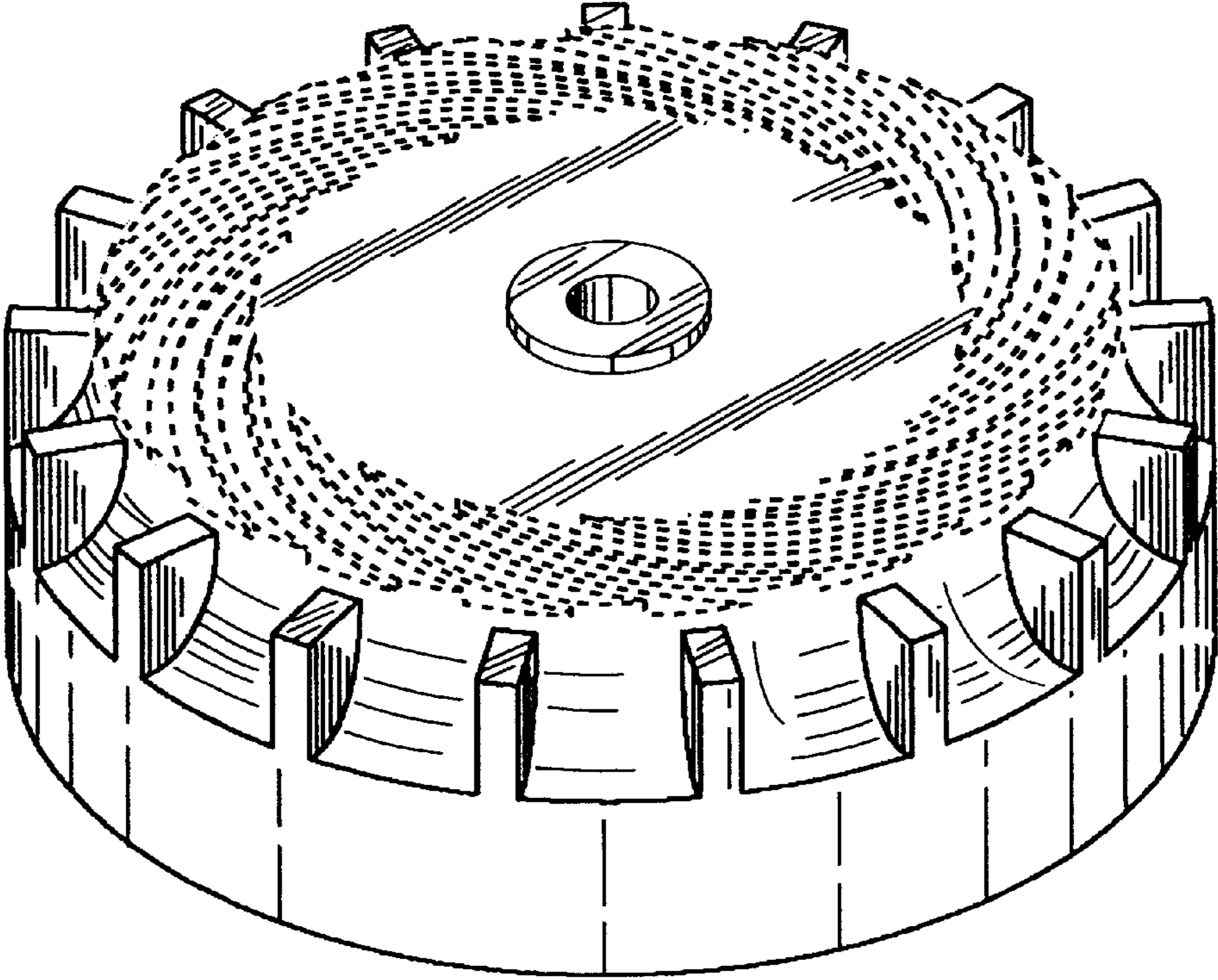


FIG. 1

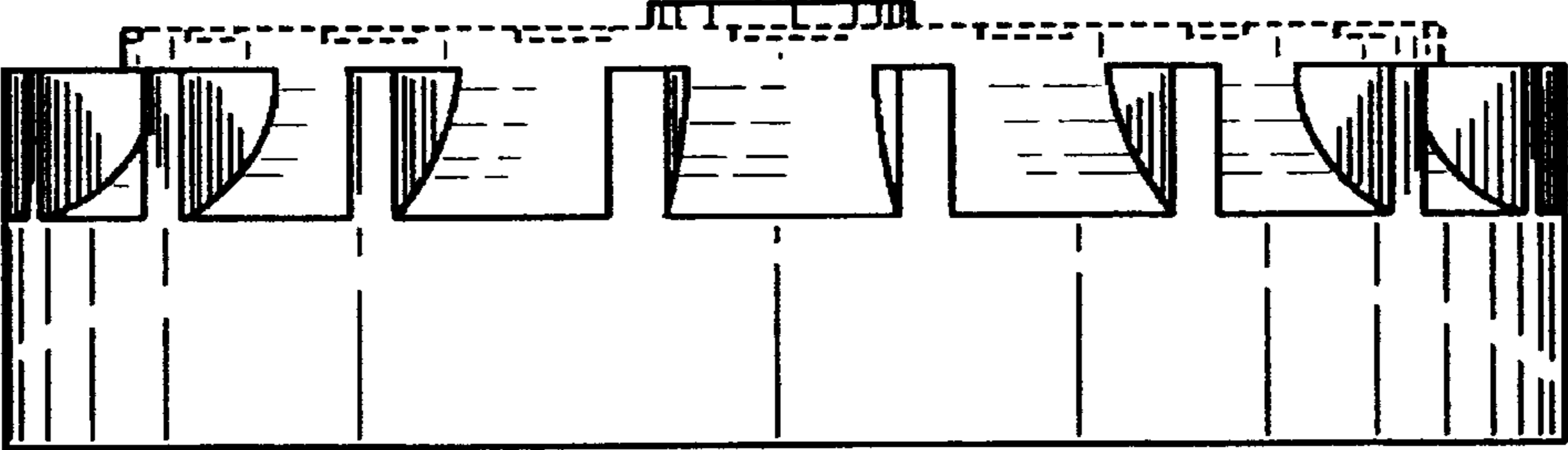


FIG. 2

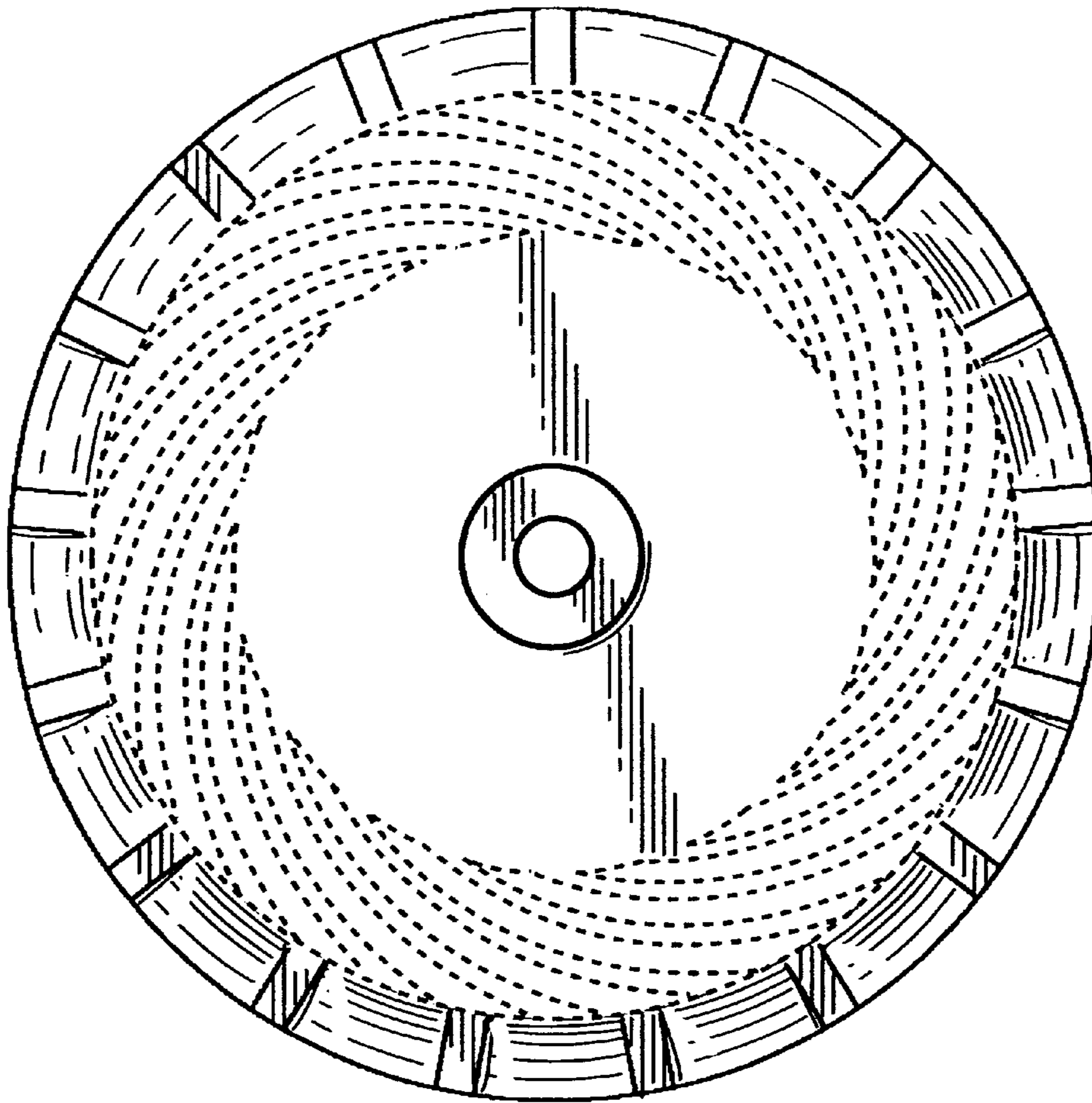


FIG. 3

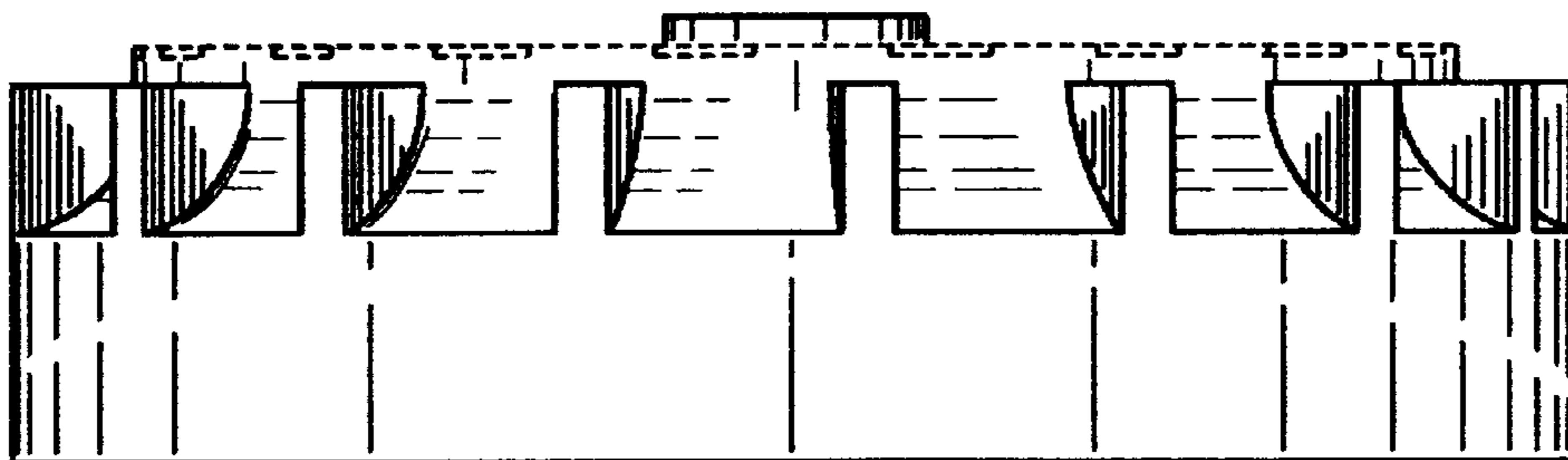


FIG. 4

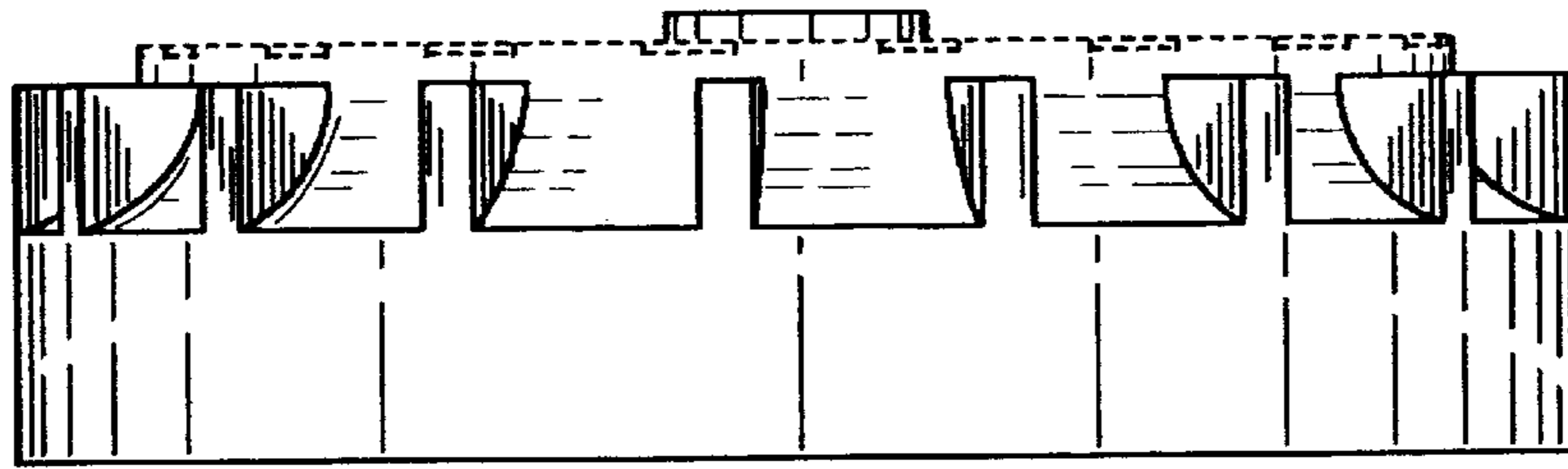


FIG. 5

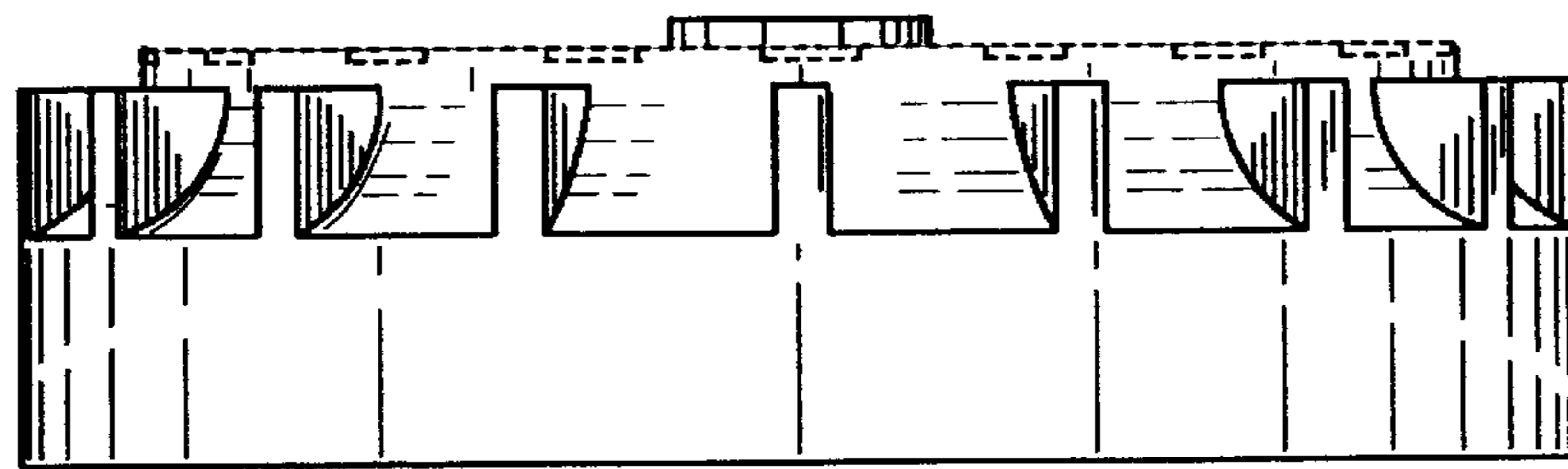


FIG. 6

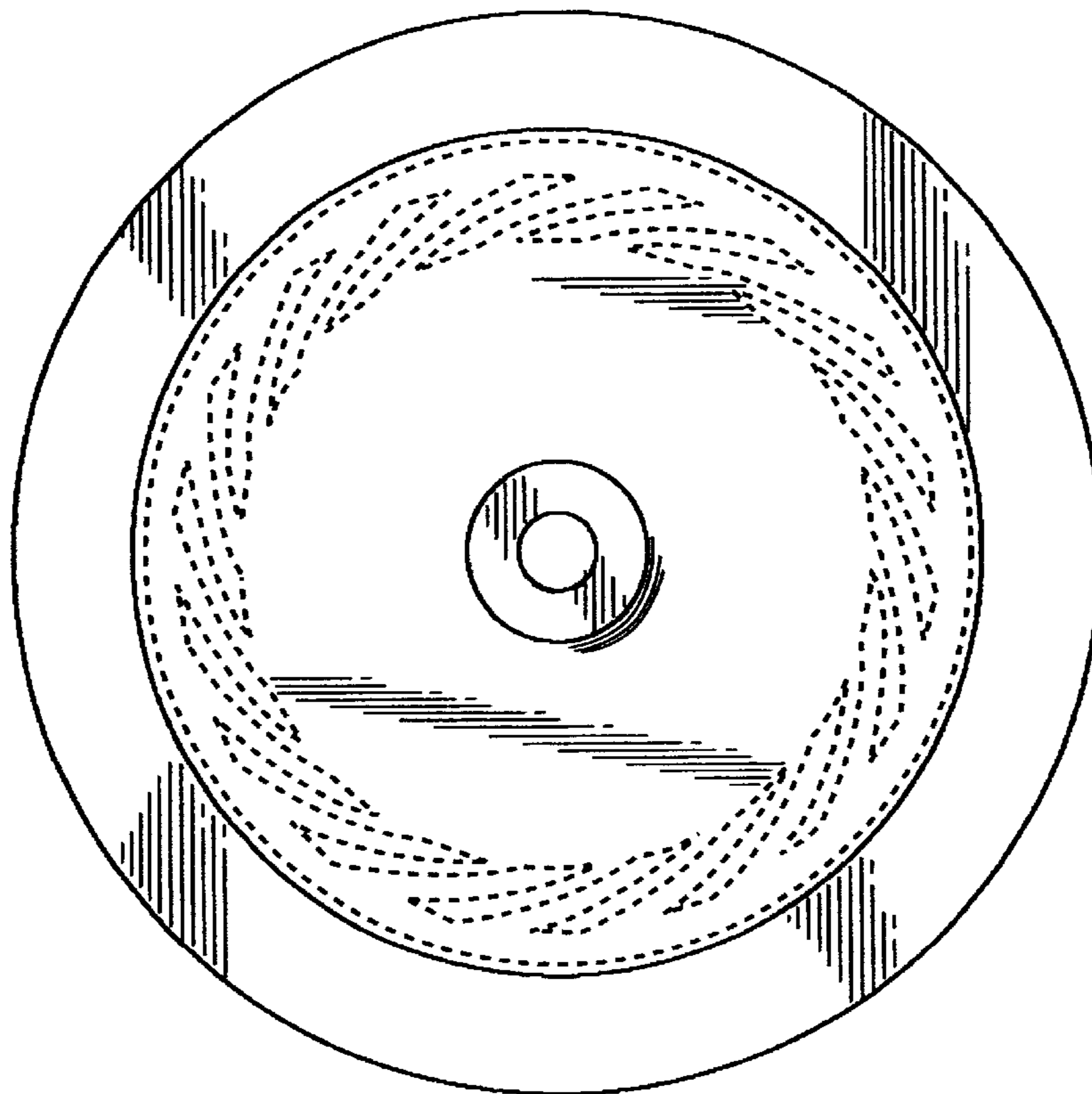


FIG. 7