

US00D507569S

(12) **United States Design Patent**  
**Tagliabue et al.**

(10) **Patent No.:** **US D507,569 S**  
(45) **Date of Patent:** **\*\* Jul. 19, 2005**

(54) **MODULAR DATA COMMUNICATION  
DEVICE**

D458,606 S \* 6/2002 Tritschler et al. .... D14/398  
D458,608 S \* 6/2002 Tong et al. .... D14/434  
D465,223 S \* 11/2002 Milan ..... D14/434

(75) Inventors: **Giovanni Tagliabue**, Milan (IT);  
**Frazer McKimm**, Milan (IT); **Gen Ito**,  
Milan (IT)

**FOREIGN PATENT DOCUMENTS**

EP PCT/EP02/14482 12/2002  
KR 173968 2/1996

(73) Assignee: **Pirelli S.p.A**, Milan (IT)

\* cited by examiner

(\*\*) Term: **14 Years**

*Primary Examiner*—M. H. Tung

(21) Appl. No.: **29/183,616**

(74) *Attorney, Agent, or Firm*—Finnegan, Henderson,  
Farabow, Garrett & Dunner, L.L.P.

(22) Filed: **Jun. 16, 2003**

(57) **CLAIM**

(30) **Foreign Application Priority Data**

The ornamental design for the modular data communication  
device, as shown.

Dec. 17, 2002 (IT) ..... MI200200849

**DESCRIPTION**

(51) **LOC (8) Cl.** ..... **14-02**

(52) **U.S. Cl.** ..... **D14/356; D14/434**

(58) **Field of Search** ..... D14/356, 358,  
D14/434, 432-3, 188, 191, 155; 361/679-87,  
600, 622, 627-36, 724-5; 312/223.1, 223.2

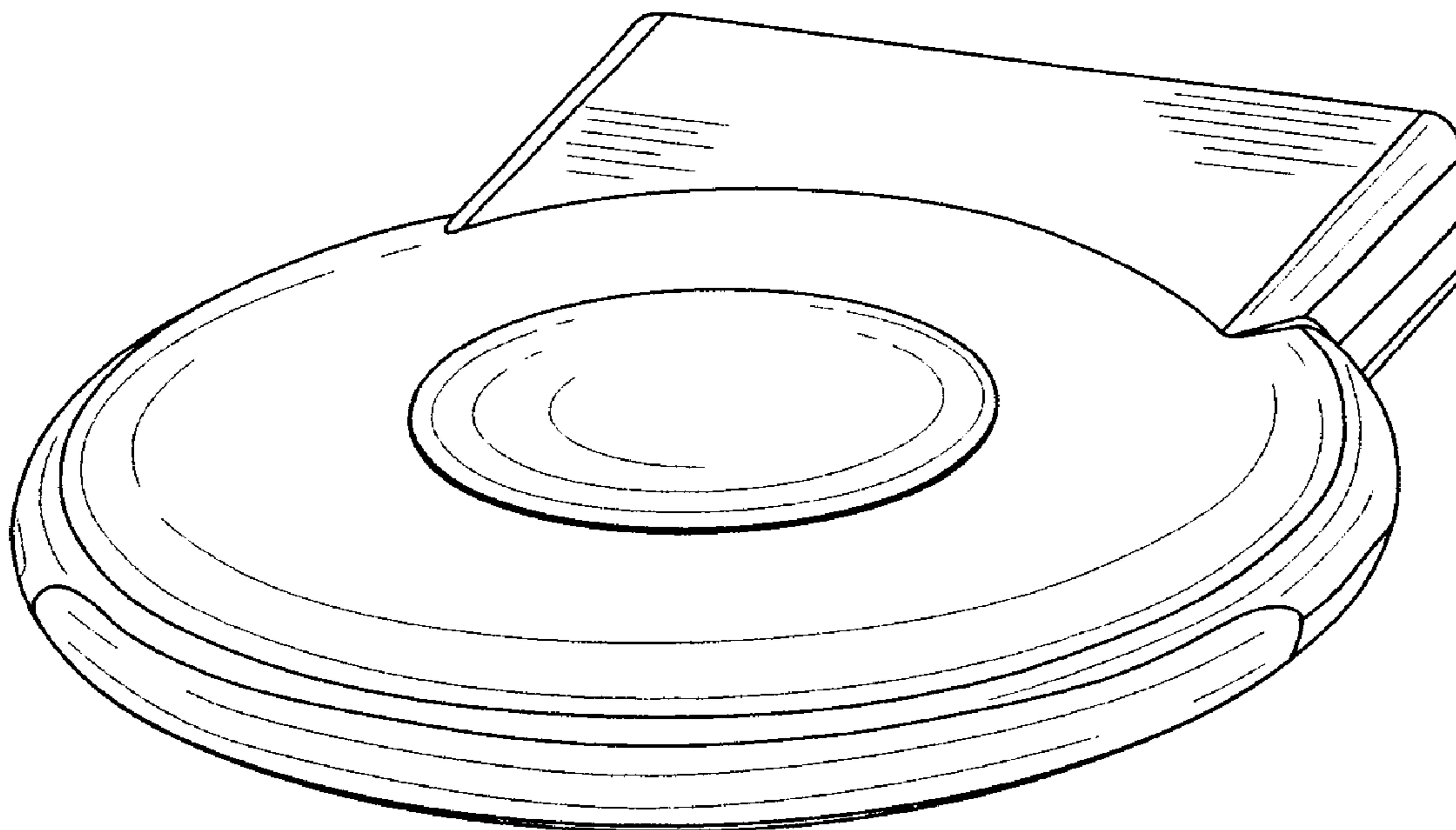
FIG. 1 is a top, front, right perspective view of a modular  
data communication device of the new design;  
FIG. 2 is a top, front, left perspective view thereof;  
FIG. 3 is a top, rear, left perspective view thereof;  
FIG. 4 is a bottom, rear, left perspective view thereof;  
FIG. 5 is a rear view thereof;  
FIG. 6 is a front view thereof;  
FIG. 7 is a right view thereof;  
FIG. 8 is a left view thereof;  
FIG. 9 is a bottom view thereof; and,  
FIG. 10 is a top view thereof.

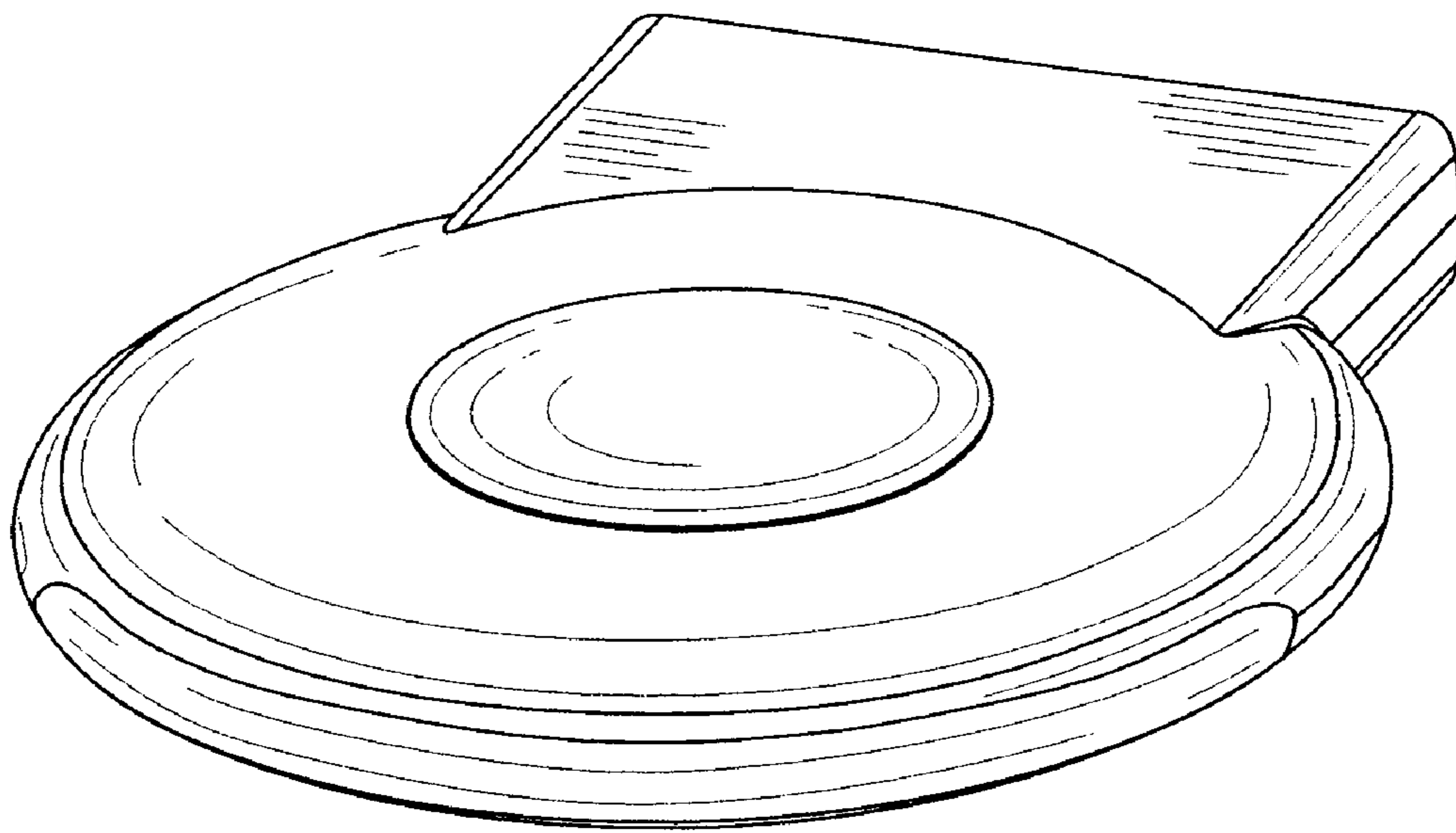
(56) **References Cited**

**U.S. PATENT DOCUMENTS**

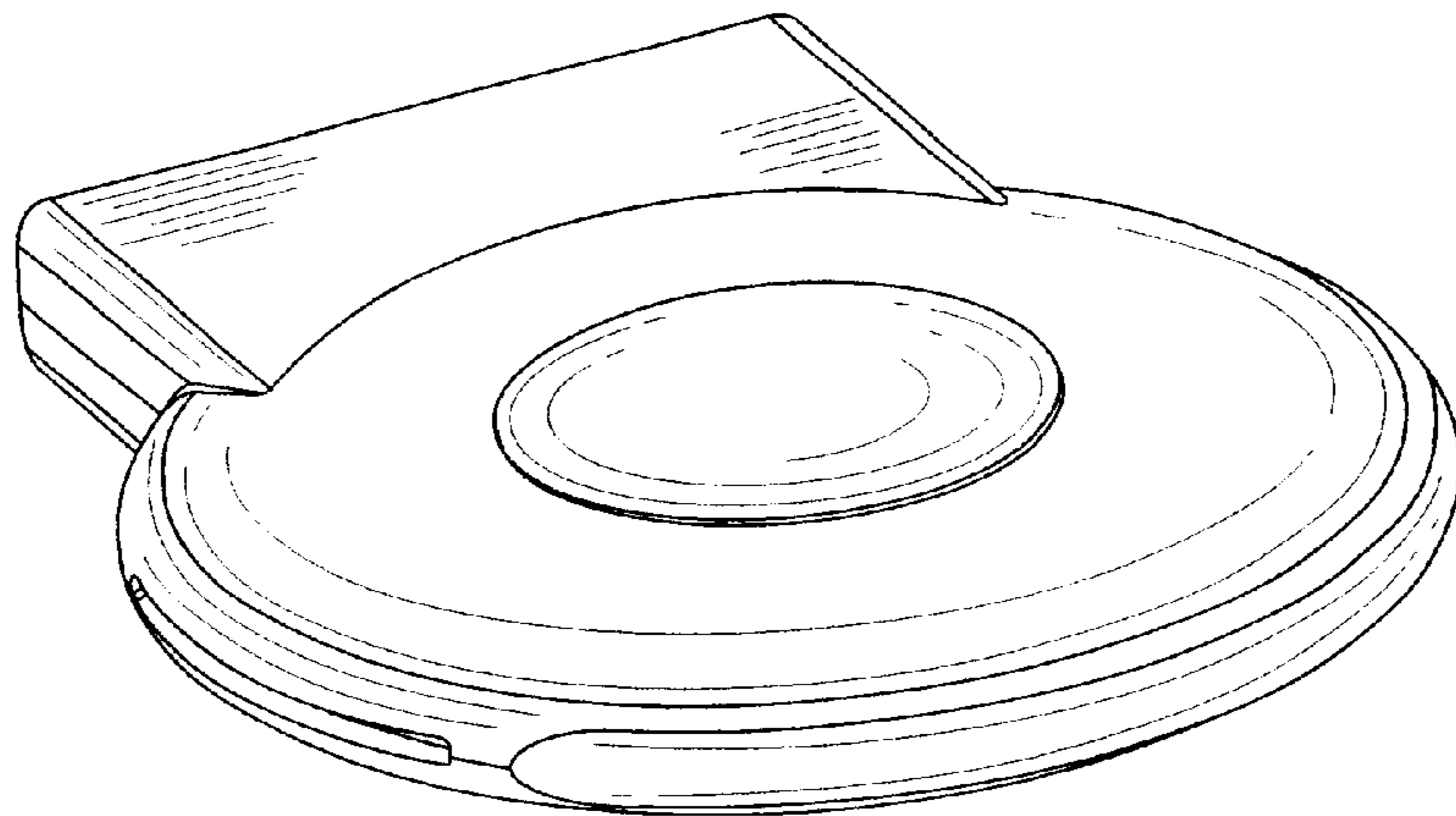
5,515,239 A \* 5/1996 Kamerman et al. .... 361/727  
5,604,662 A \* 2/1997 Anderson et al. .... 361/685  
D391,944 S \* 3/1998 Han ..... D14/356  
5,835,353 A \* 11/1998 Dalby ..... 361/727  
D436,109 S \* 1/2001 Tong et al. .... D14/434

**1 Claim, 5 Drawing Sheets**

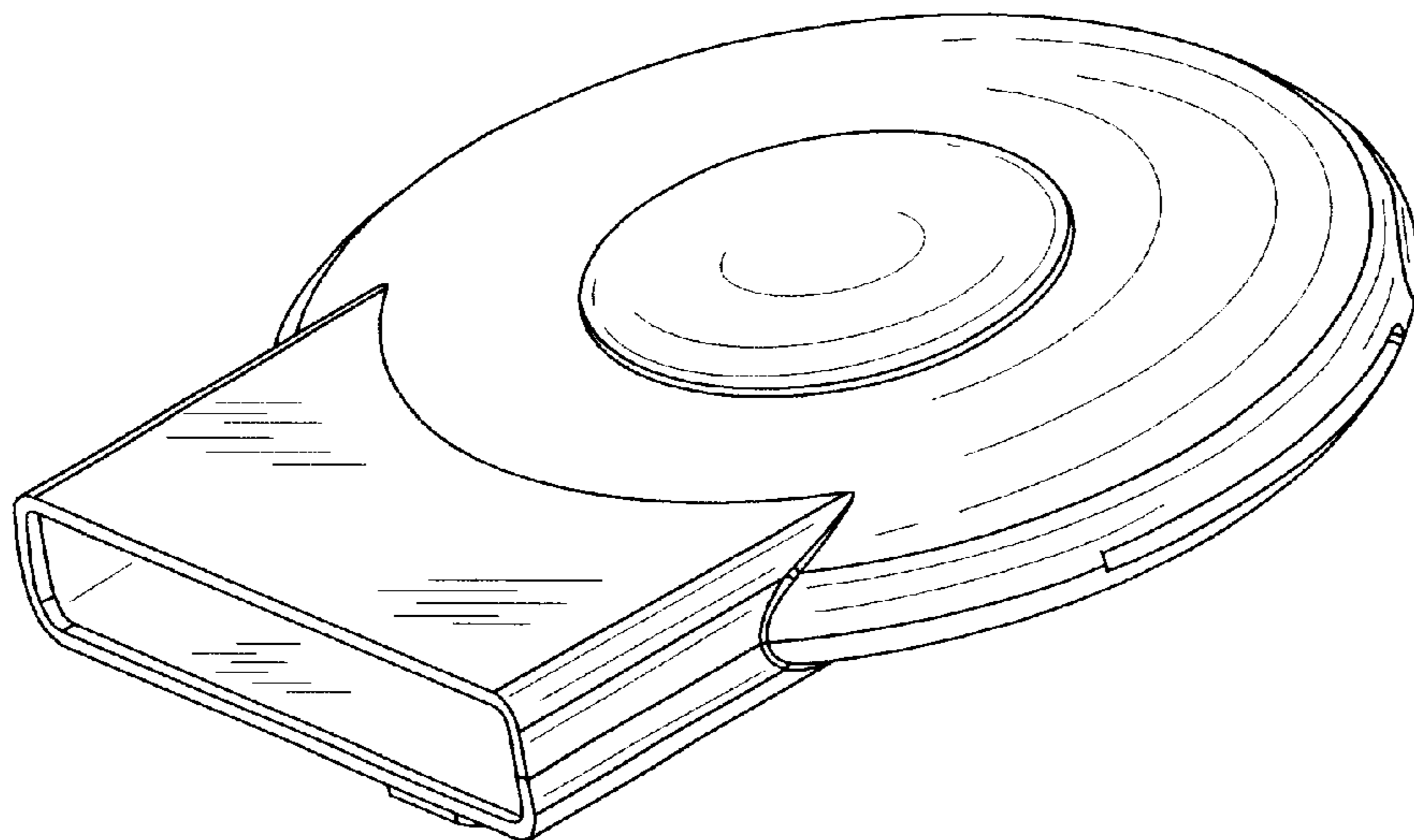




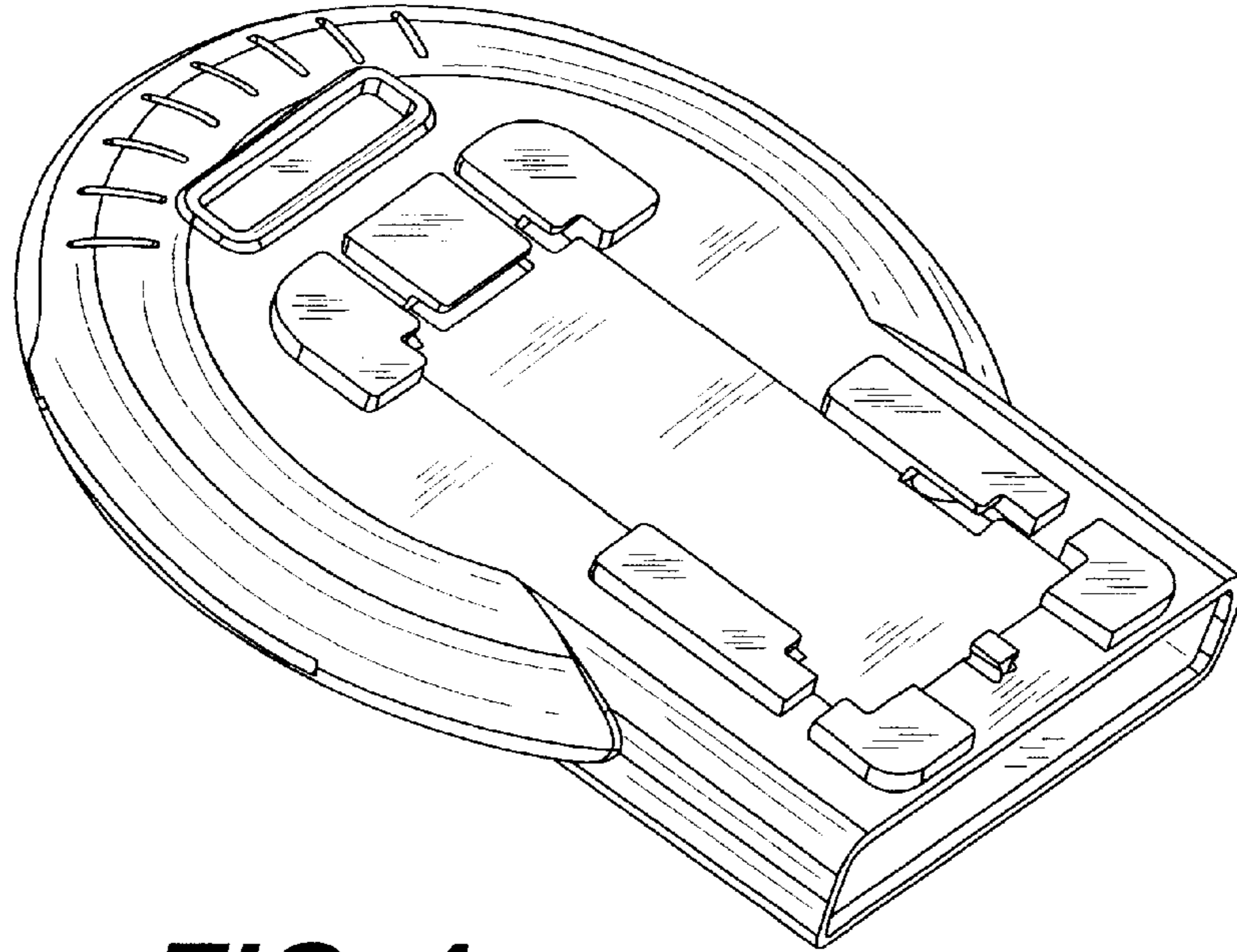
**FIG. 1**



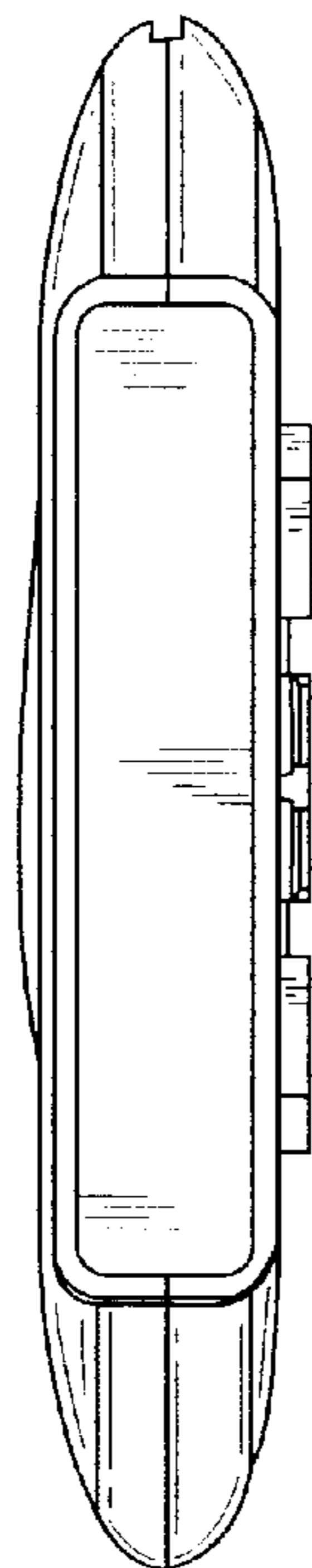
**FIG. 2**



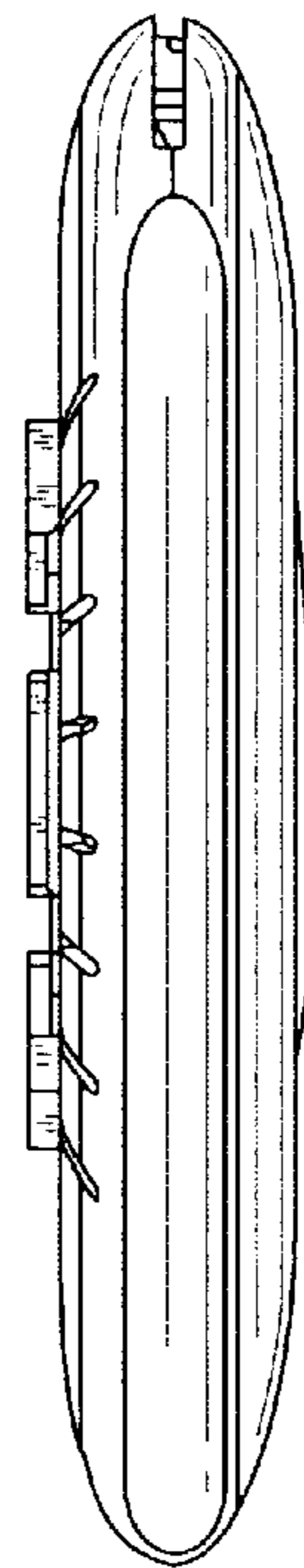
**FIG. 3**



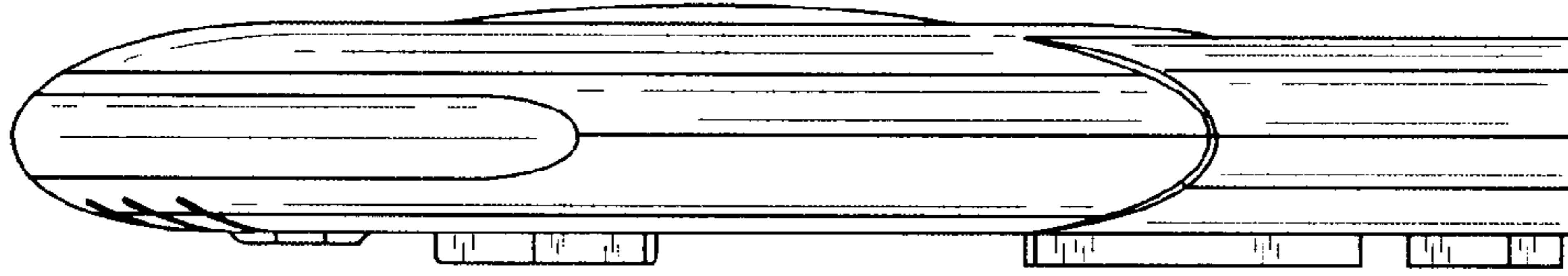
**FIG. 4**



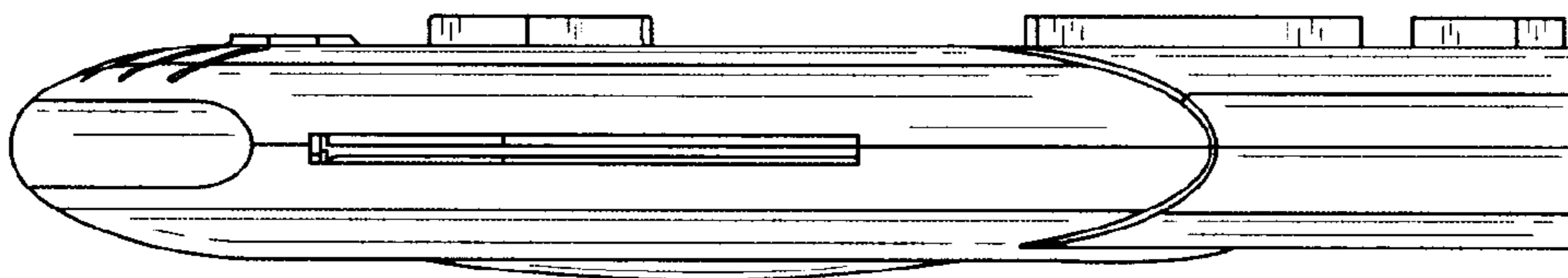
**FIG. 5**



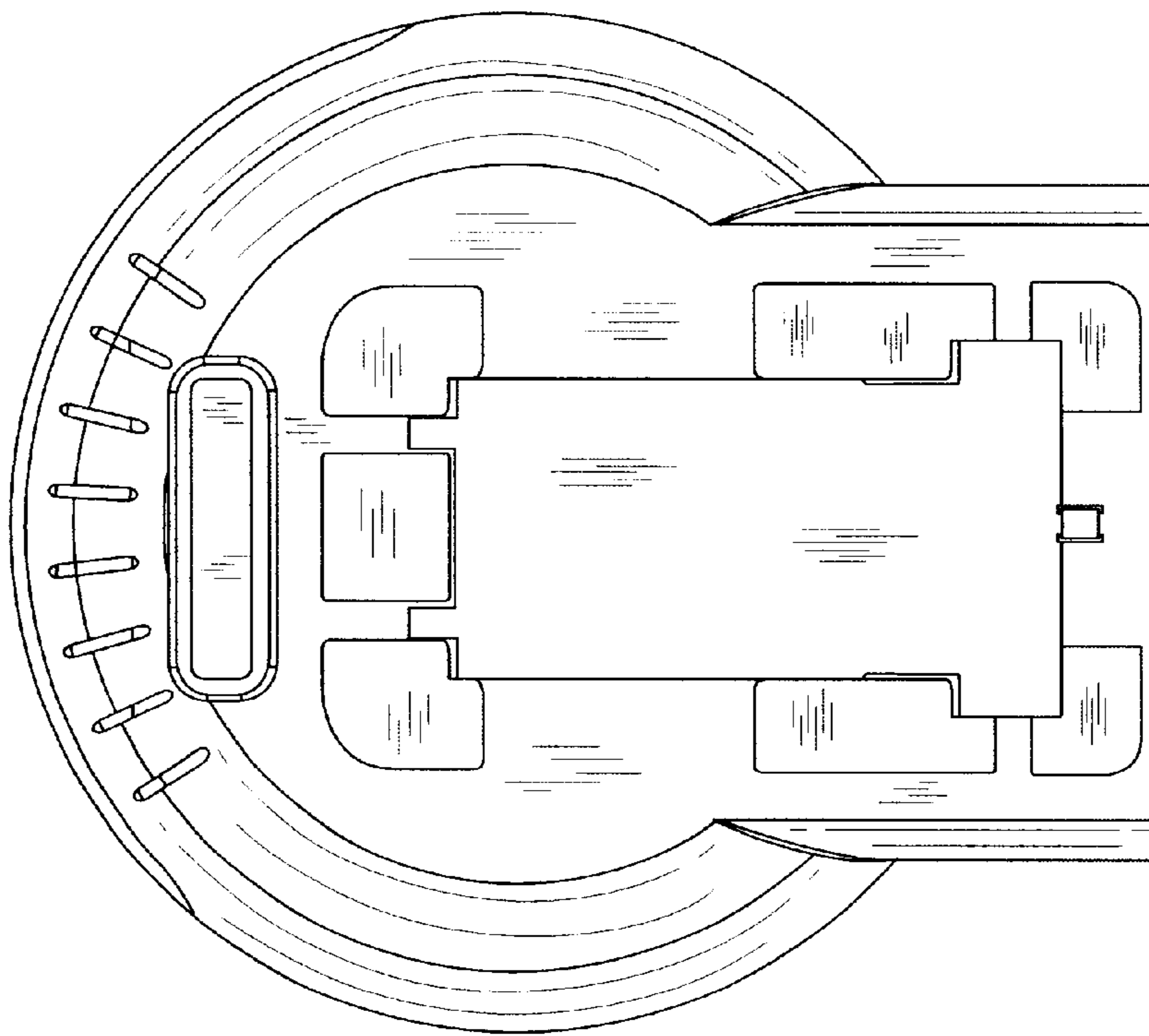
**FIG. 6**



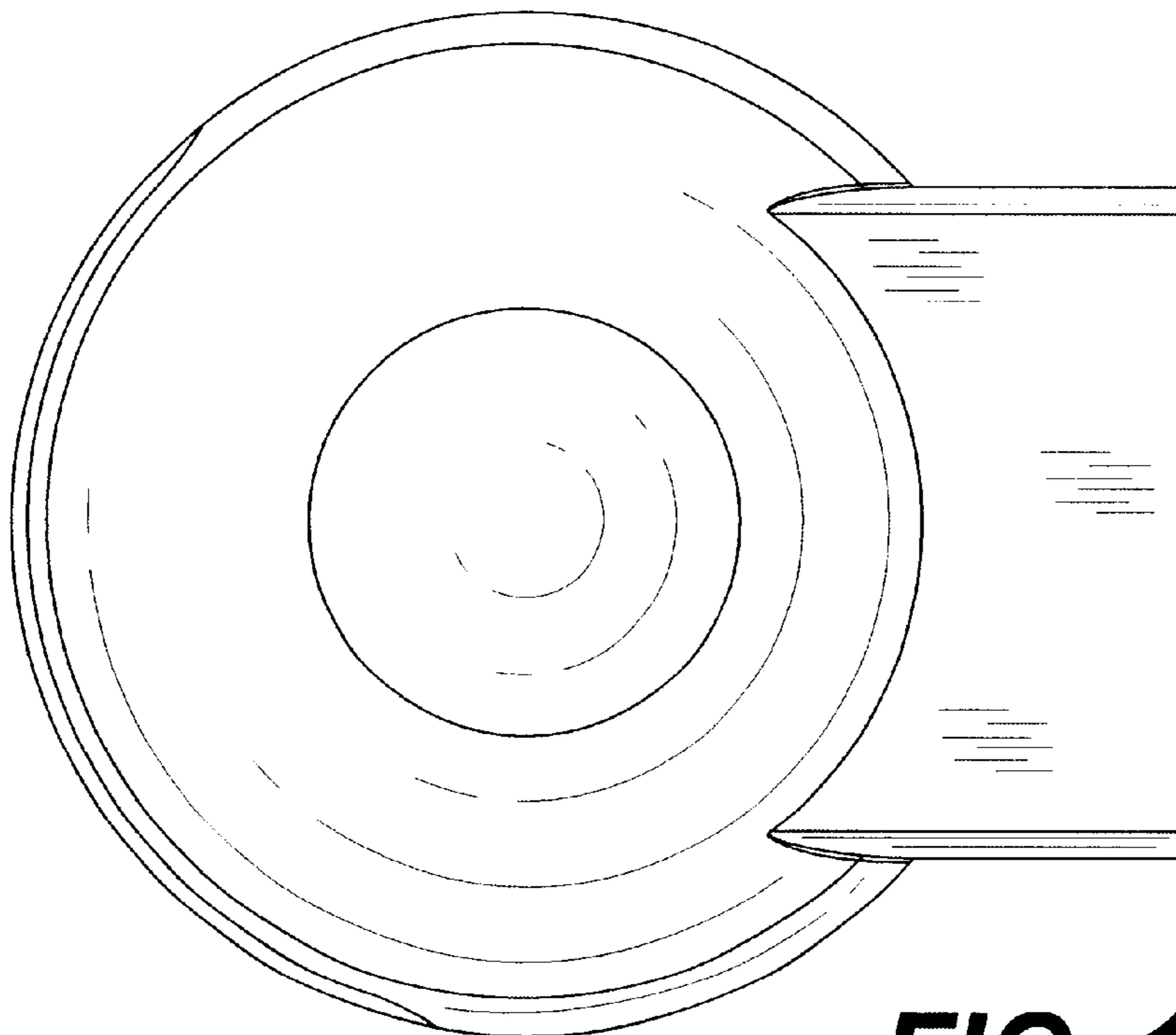
**FIG. 7**



**FIG. 8**



**FIG. 9**



**FIG. 10**