

US00D507567S

(12) **United States Design Patent**
Yonekawa et al.

(10) **Patent No.:** **US D507,567 S**
(45) **Date of Patent:** **** Jul. 19, 2005**

(54) **ELECTRONIC INFORMATION DISPLAYING DEVICE**

D445,787 S 7/2001 Francis

FOREIGN PATENT DOCUMENTS

(75) Inventors: **Osamu Yonekawa**, Higashiosaka (JP); **Kazuya Ohashi**, Ito (JP); **Satoshi Yonai**, Yokohama (JP); **Toshiro Iizuka**, Yamato (JP); **Yoshihiro Hayakawa**, Yokohama (JP); **Kayoko Kawakami**, Tokyo (JP)

JP	D851313	4/1992
JP	D907732	9/1994
JP	D909406	10/1994
JP	D963531	9/1996
JP	D972539-2	1/1997
JP	D1099976	2/2001
JP	D1168572	3/2003
JP	D1168573	3/2003
JP	D1168841	3/2003
JP	D1178900	7/2003

(73) Assignee: **Matsushita Electric Industrial Co., Ltd.**, Osaka (JP)

(**) Term: **14 Years**

* cited by examiner

(21) Appl. No.: **29/190,268**

Primary Examiner—Freda S. Nunn

(22) Filed: **Sep. 16, 2003**

(74) *Attorney, Agent, or Firm*—Brinks Hofer Gilson & Lione

(30) **Foreign Application Priority Data**

Mar. 20, 2003 (JP) 2003-007600

(57) **CLAIM**

(51) **LOC (8) Cl.** **14-02**

We claim the ornamental design for an electronic information displaying device, as shown and described.

(52) **U.S. Cl.** **D14/345**

DESCRIPTION

(58) **Field of Search** D14/341-346;
D18/1, 2, 7; 235/145 A, 145 R; 341/22, 23; 345/156, 168, 169, 172, 173, 87; 349/12; 361/680-686; D19/60; 434/201; 708/105

FIG. 1 is a top perspective view of an electronic information displaying device of the present invention in an opened position;

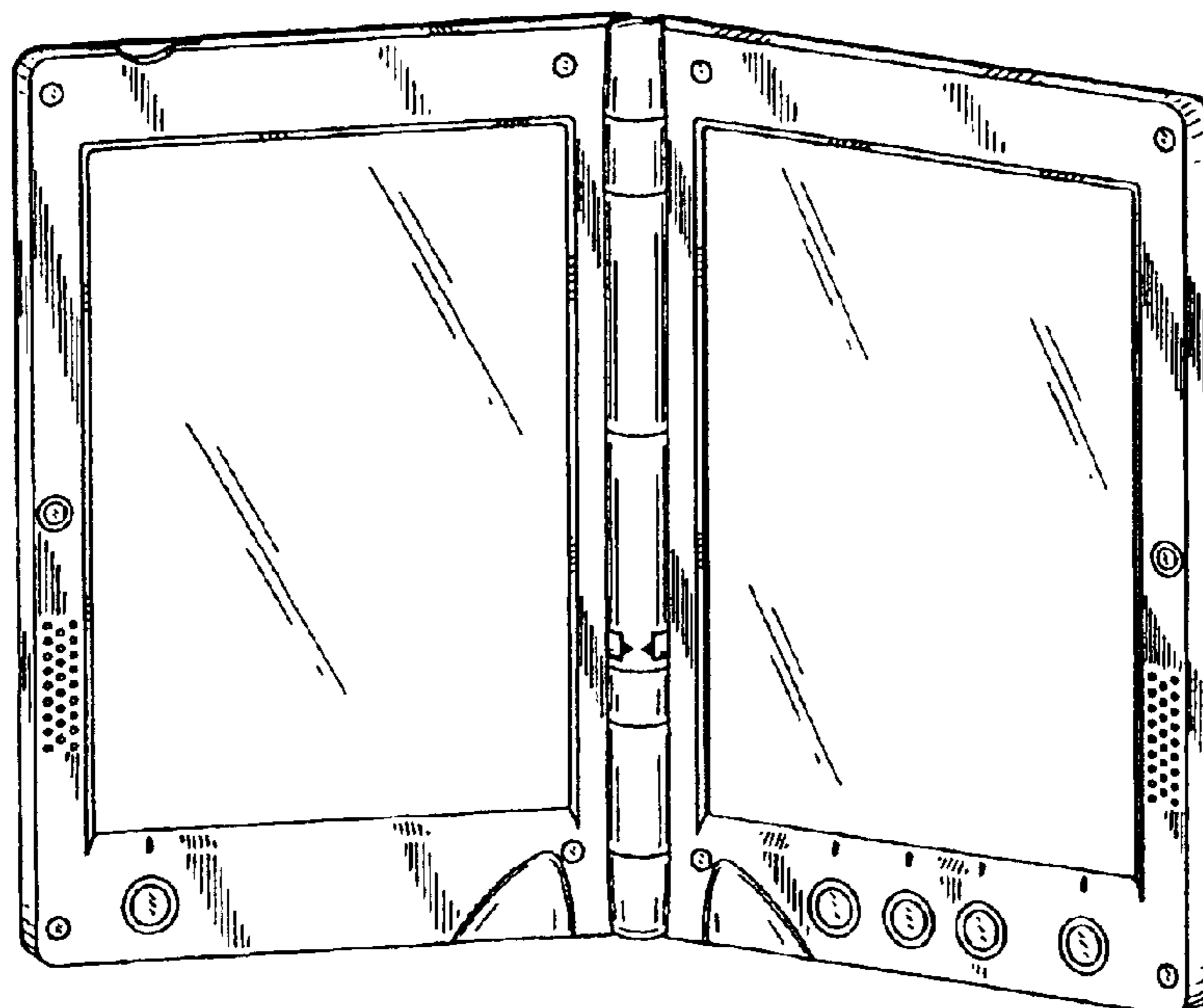
(56) **References Cited**

U.S. PATENT DOCUMENTS

4,340,375 A	*	7/1982	Sakaue et al.	434/201
D378,686 S	*	4/1997	Proctor et al.	D19/60
D385,299 S		10/1997	Adams		
D386,521 S		11/1997	Eisenbaum		
D391,987 S	*	3/1998	Jambhekar et al.	D14/345
D402,310 S	*	12/1998	Hendricks	D14/345
5,898,600 A	*	4/1999	Isashi	708/105
D442,953 S	*	5/2001	Lassen	D14/345

FIG. 2 is a front view thereof;
FIG. 3 is a rear view thereof;
FIG. 4 is a first side view thereof;
FIG. 5 is a second side view thereof;
FIG. 6 is a top view thereof;
FIG. 7 is a bottom view thereof; and,
FIG. 8 is a top perspective view of an electronic information displaying device of the present invention in a closed position.

1 Claim, 8 Drawing Sheets



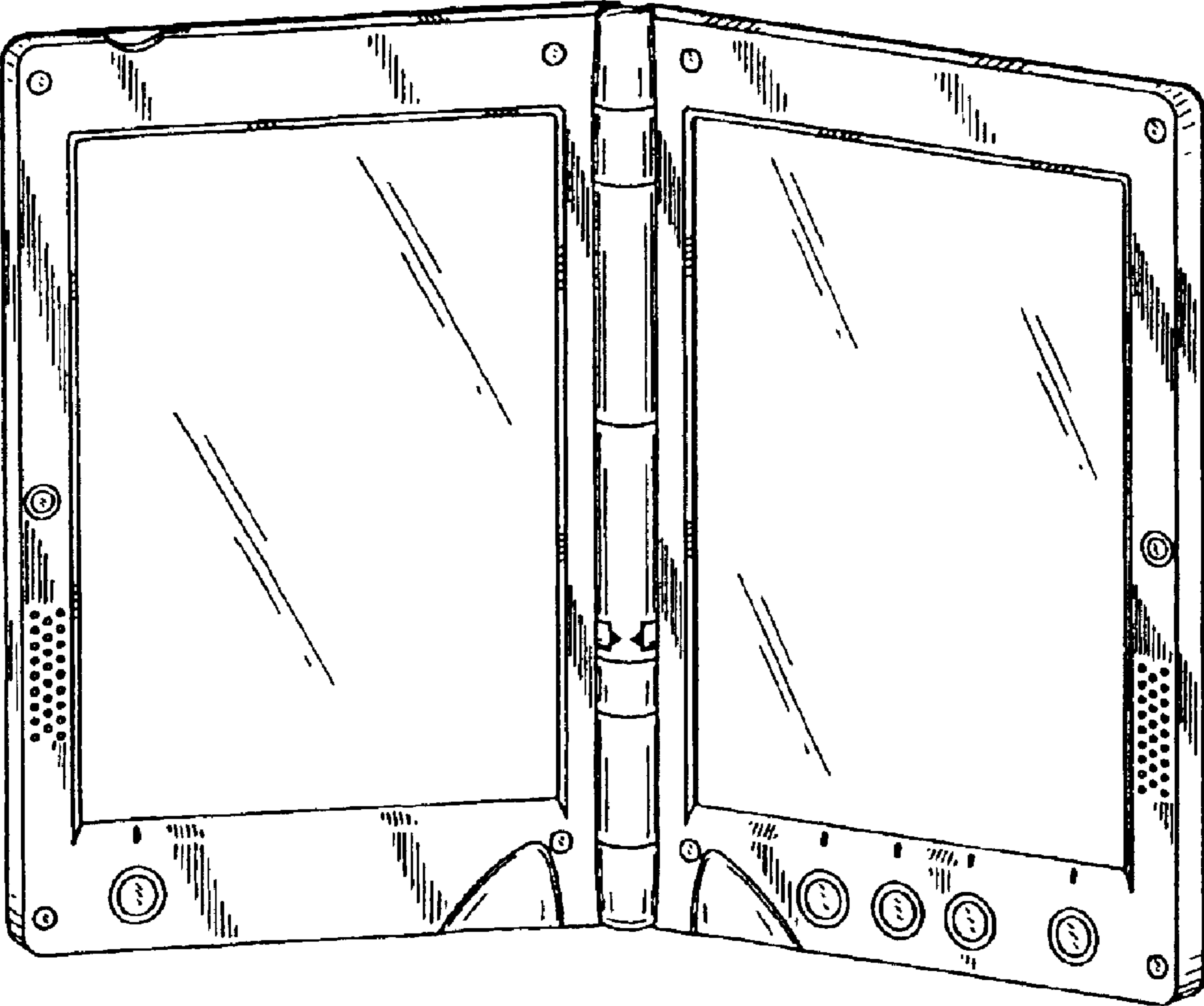


FIG. 1

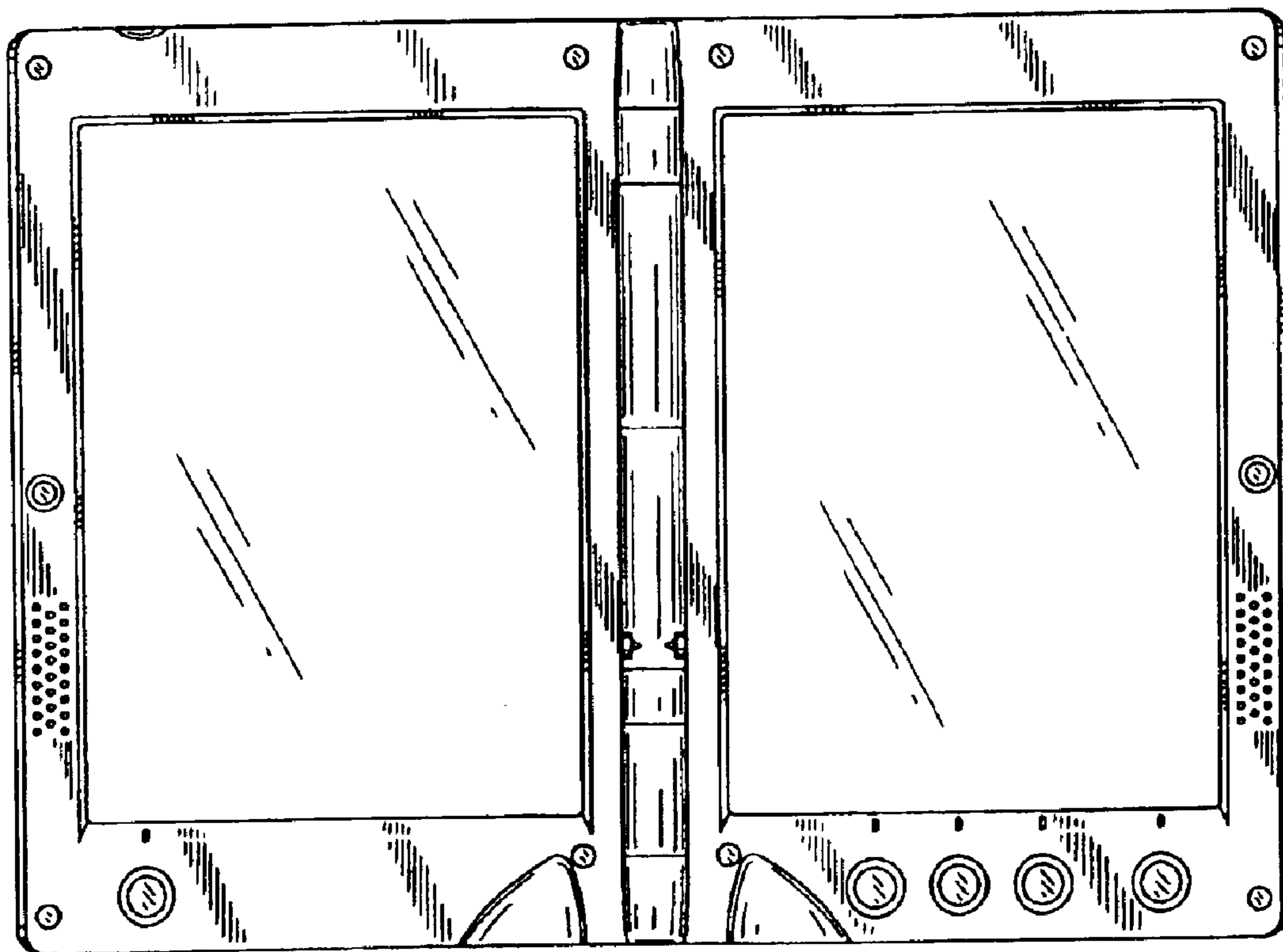


FIG. 2

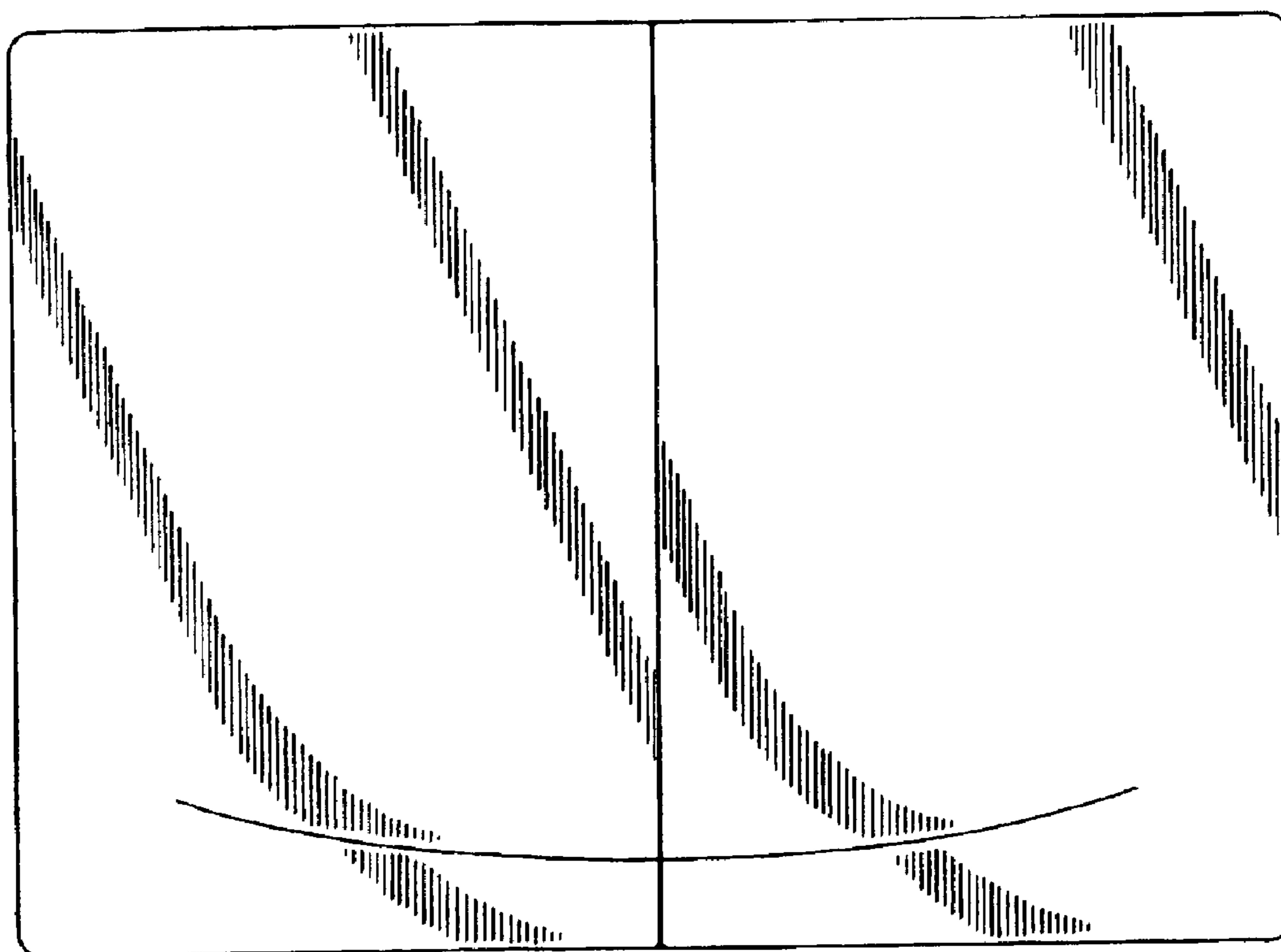


FIG. 3



FIG. 4

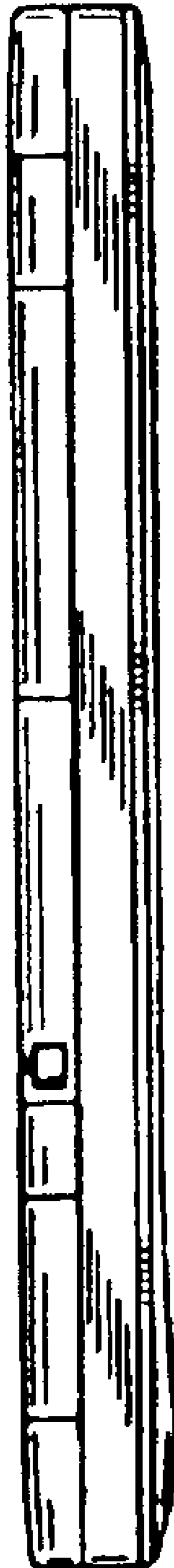


FIG. 5

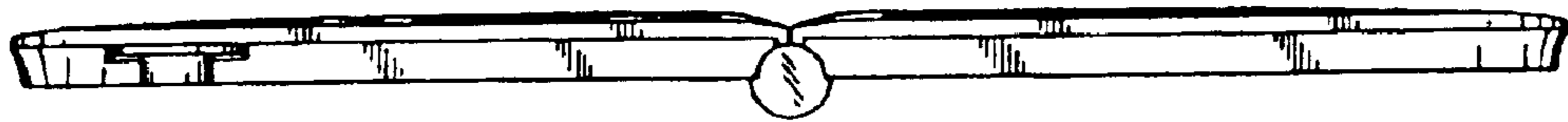


FIG. 6



FIG. 7

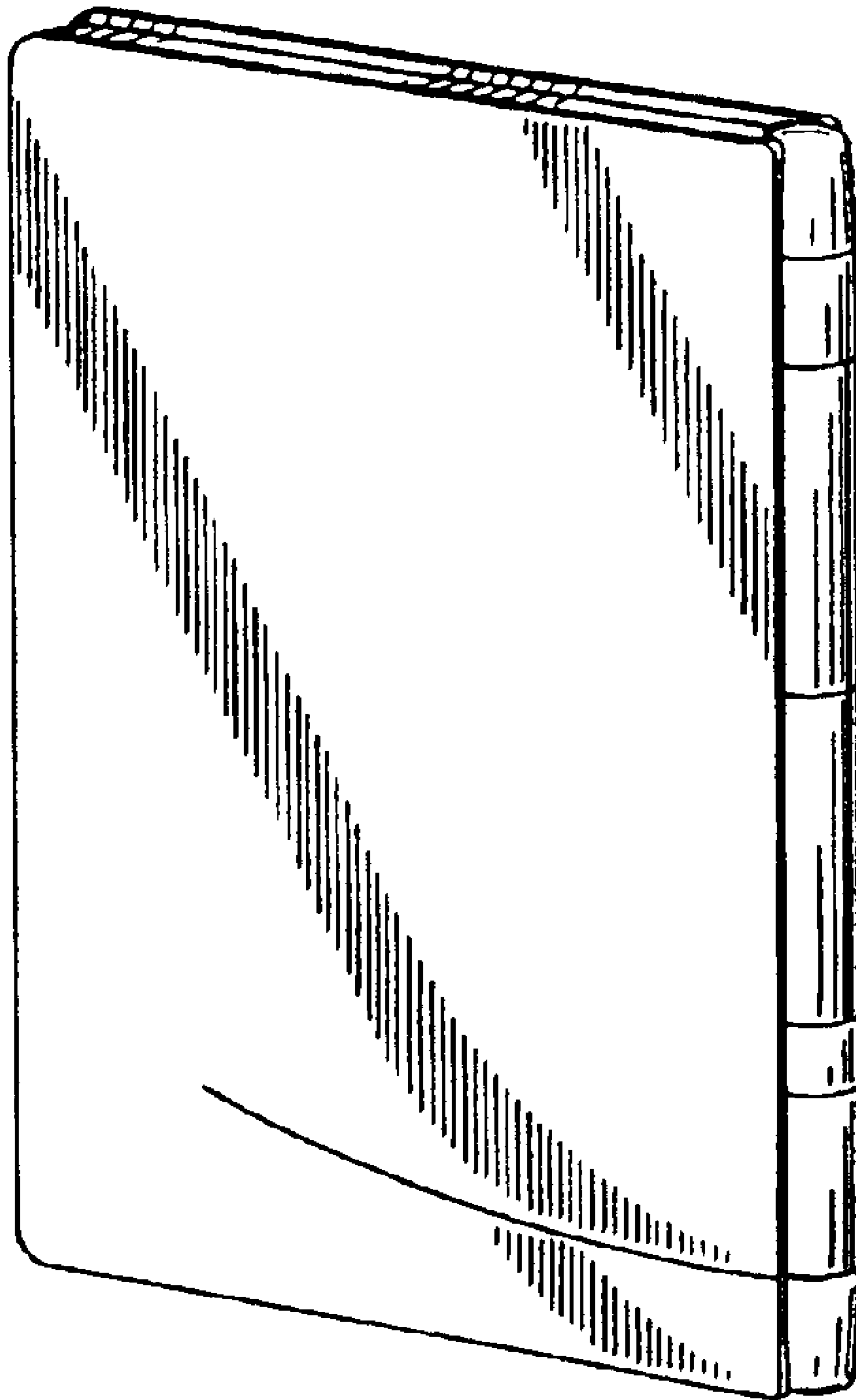


FIG. 8