

US00D507562S

(12) **United States Design Patent** (10) **Patent No.:** **US D507,562 S**  
**Kim** (45) **Date of Patent:** **\*\* Jul. 19, 2005**

(54) **KEY BUTTON ARRANGEMENT FOR A HANDSET**

(75) Inventor: **Joonsuh Kim**, Rowland Heights, CA (US)

(73) Assignee: **Nokia Corporation**, Espoo (FI)

(\*\*) Term: **14 Years**

(21) Appl. No.: **29/200,420**

(22) Filed: **Feb. 27, 2004**

(51) **LOC (8) Cl.** ..... **14-03**

(52) **U.S. Cl.** ..... **D14/247**

(58) **Field of Search** ..... D14/137, 138, D14/218, 147-148, 191, 156, 197, 496, 247-249, 429, 453, 455-456, 144, 399, 426, 387, 192, 341-347, 244, 246, 338-340; 379/433.01-433.13, 419, 434, 428.01-428.04, 420.01-420.04, 440, 368-370; D10/65, 78, 37, 126; 455/550.1-90.3; D21/517, 329, 331, 333; D13/168; D18/2, 7; 345/168, 169

(56) **References Cited**

**U.S. PATENT DOCUMENTS**

- 5,260,998 A \* 11/1993 Takagi ..... 379/433.13
- D457,520 S \* 5/2002 Laverick et al. .... D14/247
- D459,332 S \* 6/2002 Peiker ..... D14/147
- D469,070 S \* 1/2003 Lee ..... D14/138
- D476,303 S \* 6/2003 Lee et al. .... D14/138
- D479,514 S \* 9/2003 Chan ..... D14/138
- D484,863 S \* 1/2004 Chan ..... D14/138
- D484,873 S \* 1/2004 Salmi ..... D14/247
- D485,249 S \* 1/2004 Liao et al. .... D14/138
- D487,438 S \* 3/2004 Sheu ..... D14/138
- D488,789 S \* 4/2004 Lee ..... D14/138
- D489,060 S \* 4/2004 Liao et al. .... D14/247
- D490,792 S \* 6/2004 Lee ..... D14/138
- D490,793 S \* 6/2004 Tsai et al. .... D14/138

- D491,930 S \* 6/2004 Widiaman ..... D14/247
- D492,275 S \* 6/2004 Lin et al. .... D14/138
- D492,276 S \* 6/2004 Walliser et al. .... D14/138
- D493,781 S \* 8/2004 Sheu ..... D14/247
- D494,561 S \* 8/2004 Kagami
- D494,949 S \* 8/2004 Arnholt et al. .... D14/138
- D494,950 S \* 8/2004 Keunecke ..... D14/138
- D495,672 S \* 9/2004 Jeon et al. .... D14/138
- D496,020 S \* 9/2004 Lee ..... D14/138
- D496,641 S \* 9/2004 Seo ..... D14/138
- D496,921 S \* 10/2004 Hwang ..... D14/138
- D497,604 S \* 10/2004 Lee ..... D14/138
- 2003/0083021 A1 \* 5/2003 Hsu et al. .... 455/90
- 2004/0110541 A1 \* 6/2004 Choo ..... 455/566
- 2004/0142721 A1 \* 7/2004 Kim ..... 455/550.1

**FOREIGN PATENT DOCUMENTS**

- WO DM/060792 \* 6/2002
- WO DM/063 714 7/2003
- WO DM/064 218 10/2003
- WO DM/064560 \* 10/2003
- WO DM/065 073 4/2004
- WO DM/065 421 7/2004

\* cited by examiner

*Primary Examiner*—Jeffrey Asch

(74) *Attorney, Agent, or Firm*—Banner & Witcoff, Ltd.

(57) **CLAIM**

The ornamental design for a key button area for a handset as shown and described.

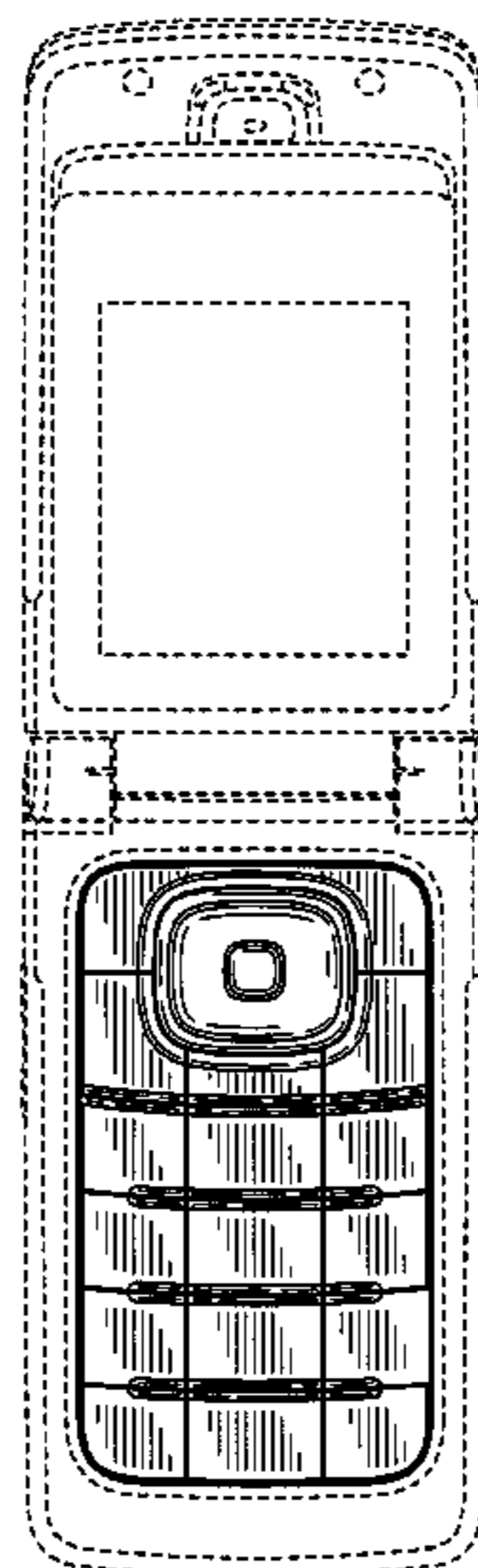
**DESCRIPTION**

FIG. 1 is a front view of key button area handset for showing my new design; and,

FIG. 2 is a front perspective view thereof.

The broken line showing of a handset in FIGS. 1-2 is for illustrative purposes only and forms no part of the claimed design.

**1 Claim, 1 Drawing Sheet**



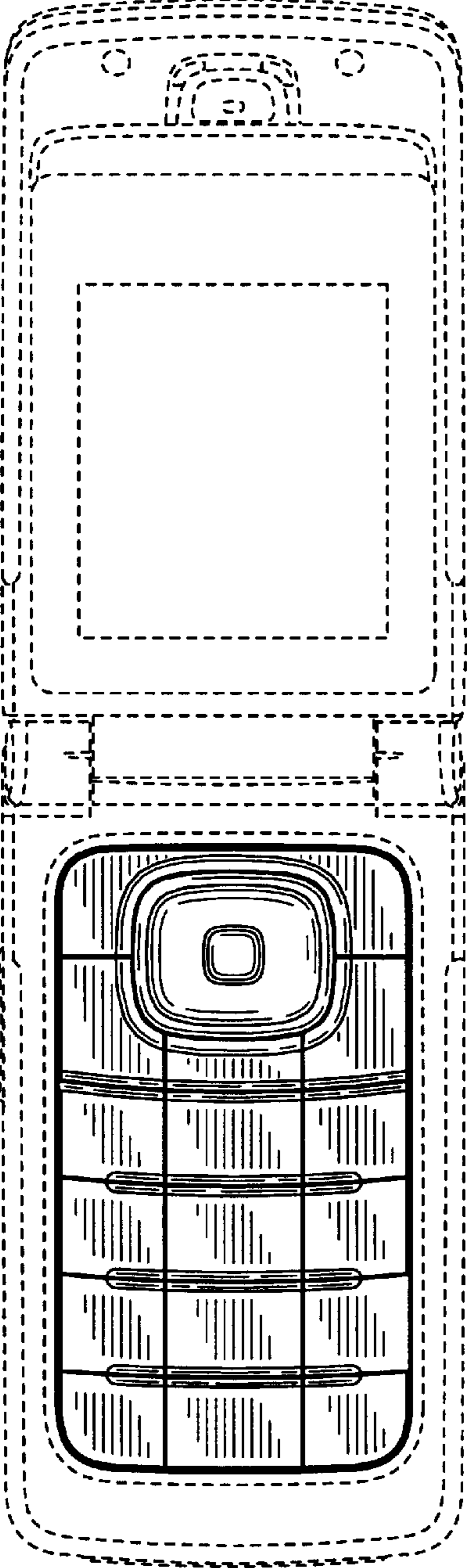


FIG. 1

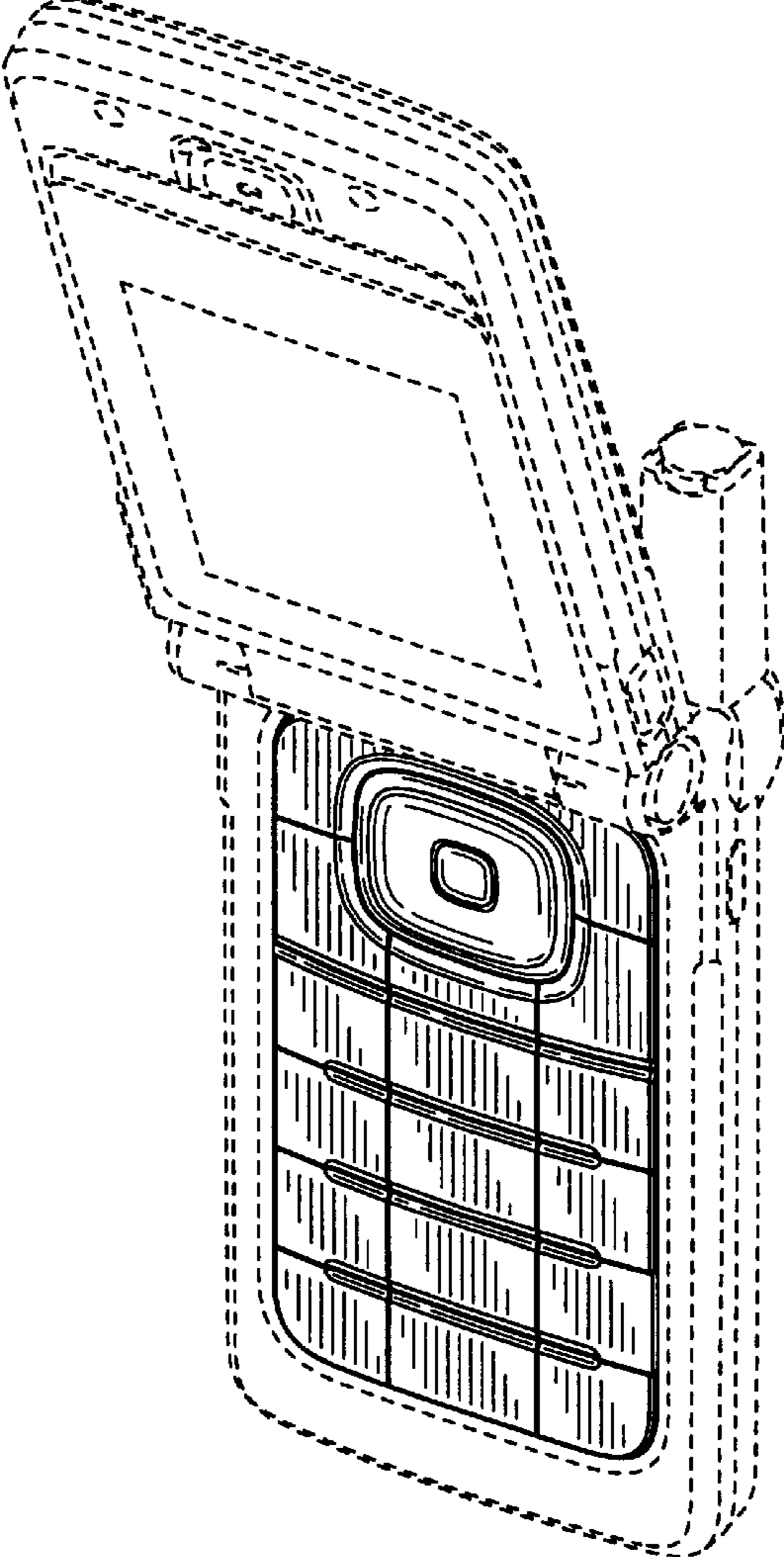


FIG. 2

UNITED STATES PATENT AND TRADEMARK OFFICE  
**CERTIFICATE OF CORRECTION**

PATENT NO. : Des. 507,562 S  
DATED : July 19, 2005  
INVENTOR(S) : Joonsuh Kim

Page 1 of 1

It is certified that error appears in the above-identified patent and that said Letters Patent is hereby corrected as shown below:

Title page,

Item [54], Title, should be -- **KEY BUTTON AREA FOR A HANDSET** --.

Signed and Sealed this

Fourteenth Day of February, 2006

A handwritten signature in black ink on a light gray dotted background. The signature reads "Jon W. Dudas" in a cursive style.

JON W. DUDAS

*Director of the United States Patent and Trademark Office*