

US00D507560S

(12) **United States Design Patent**
Sugiyama

(10) **Patent No.:** **US D507,560 S**
(45) **Date of Patent:** **** Jul. 19, 2005**

(54) **SPEAKER BOX**

(75) Inventor: **Naoki Sugiyama**, Tokyo (JP)
(73) Assignee: **Sony Corporation**, Tokyo (JP)
(**) Term: **14 Years**

(21) Appl. No.: **29/201,179**
(22) Filed: **Mar. 12, 2004**

(51) **LOC (8) Cl.** **14-01**
(52) **U.S. Cl.** **D14/216**
(58) **Field of Search** D14/204, 207,
D14/209-216, 356; 181/143-144, 147-148,
150, 157, 198-199, 151, 153; 381/300-302,
306, 333, 345, 361-364, 386-388, 332,
336

(56) **References Cited**
U.S. PATENT DOCUMENTS

4,220,220 A	*	9/1980	Ripple	181/148
D336,475 S	*	6/1993	Christie	D14/215
D416,906 S	*	11/1999	Miyazaki	D14/214
D434,751 S		12/2000	Sogabe et al.		
D444,457 S	*	7/2001	Kuo	D14/214

OTHER PUBLICATIONS

Web page "SC-TM91DV" http://www.panasonic.com.mx:8080/index_flash.html, 1 sheet, Matsushita Electric Industrial Co., Ltd. (Mar. 2004).

* cited by examiner

Primary Examiner—Nanda Bondade
(74) *Attorney, Agent, or Firm*—Rader, Fishman & Grauer PLLC

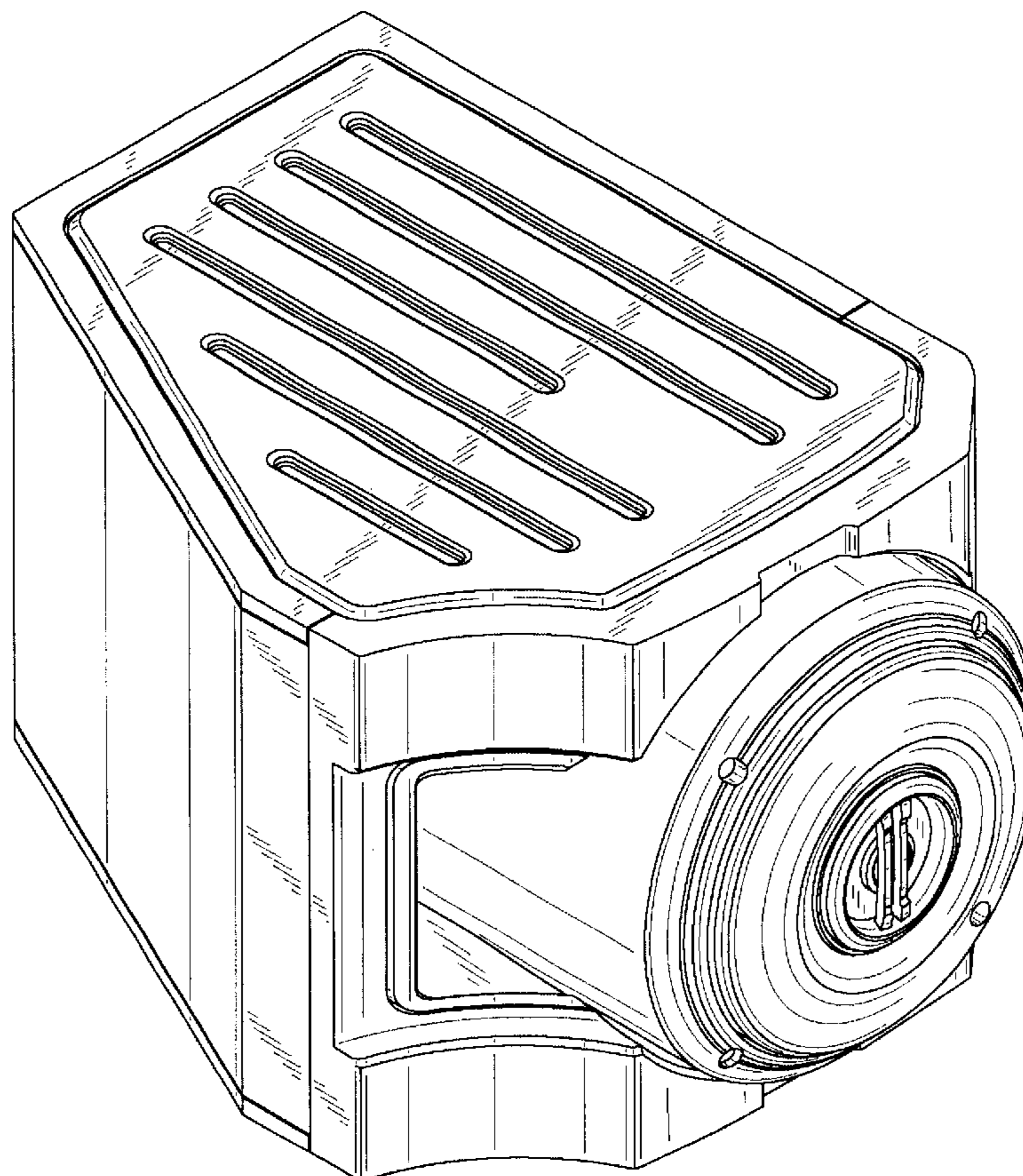
(57) **CLAIM**

The ornamental design for a speaker box, as shown.

DESCRIPTION

FIG. 1 is a perspective view of a speaker box showing my new design;
FIG. 2 is a front elevational view thereof;
FIG. 3 is a rear elevational view thereof;
FIG. 4 is a left side elevational view thereof;
FIG. 5 is a right side elevational view thereof;
FIG. 6 is a top plan view thereof; and,
FIG. 7 is a bottom plan view thereof.

1 Claim, 4 Drawing Sheets



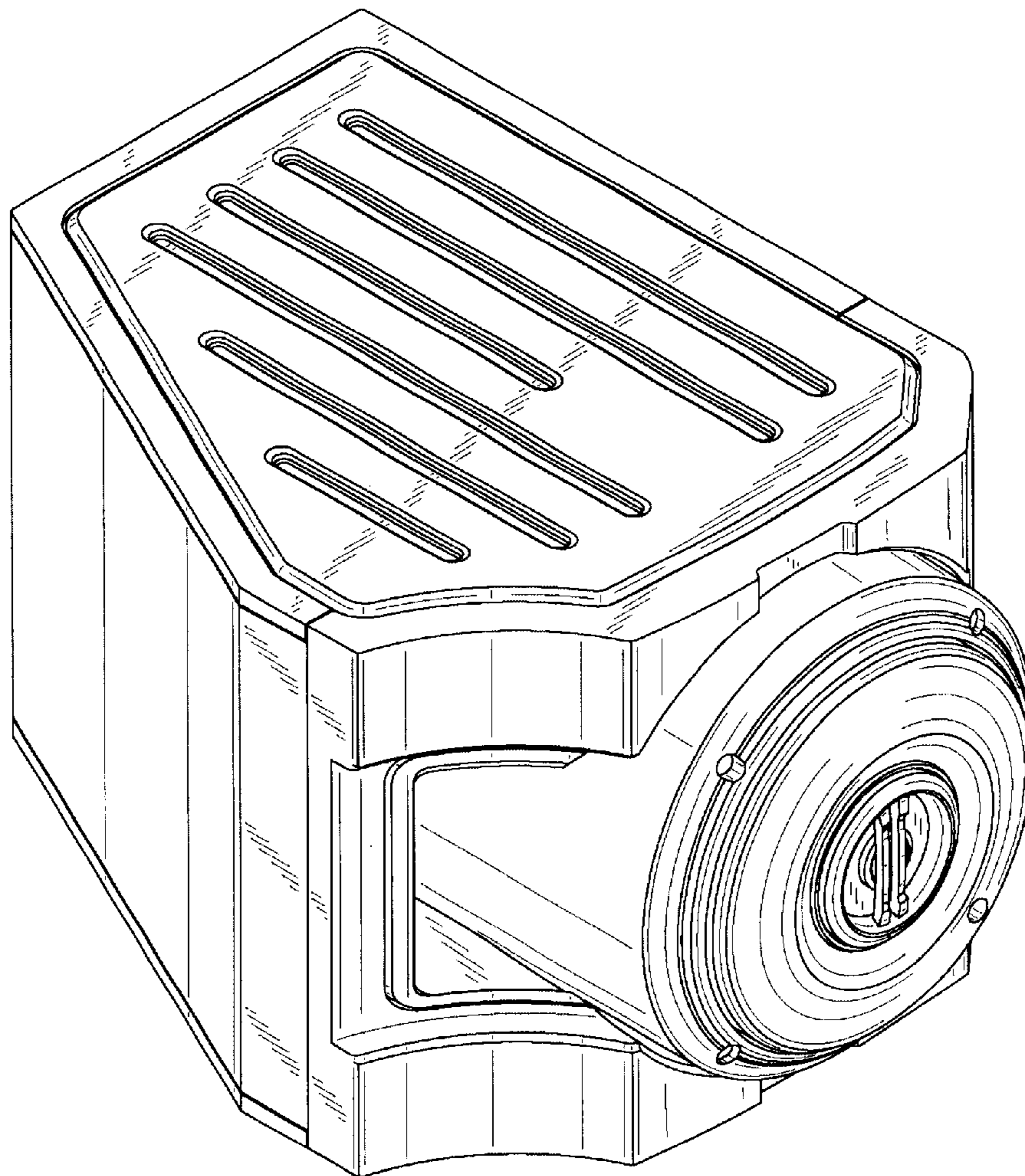


FIG. 1

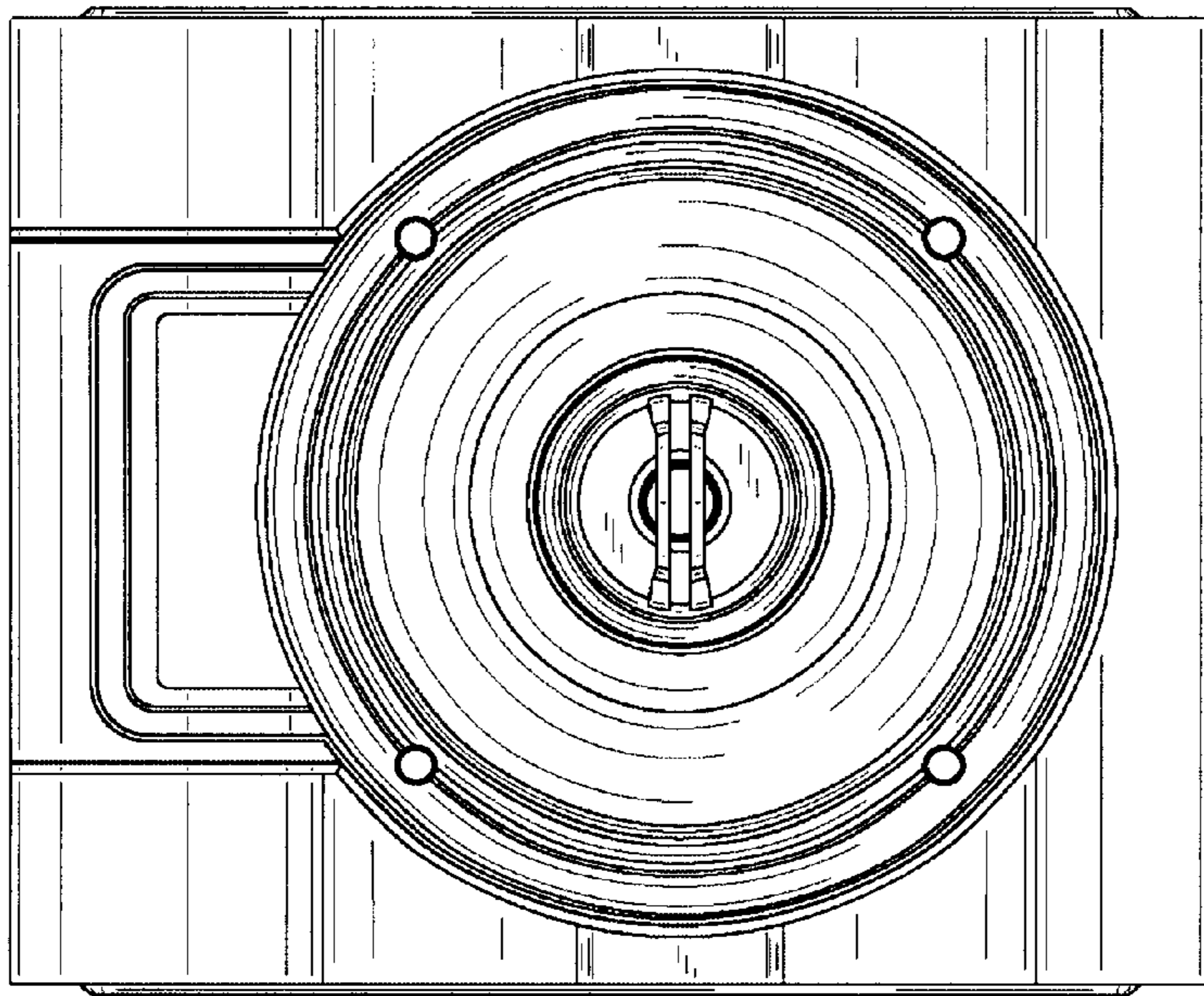


FIG. 2

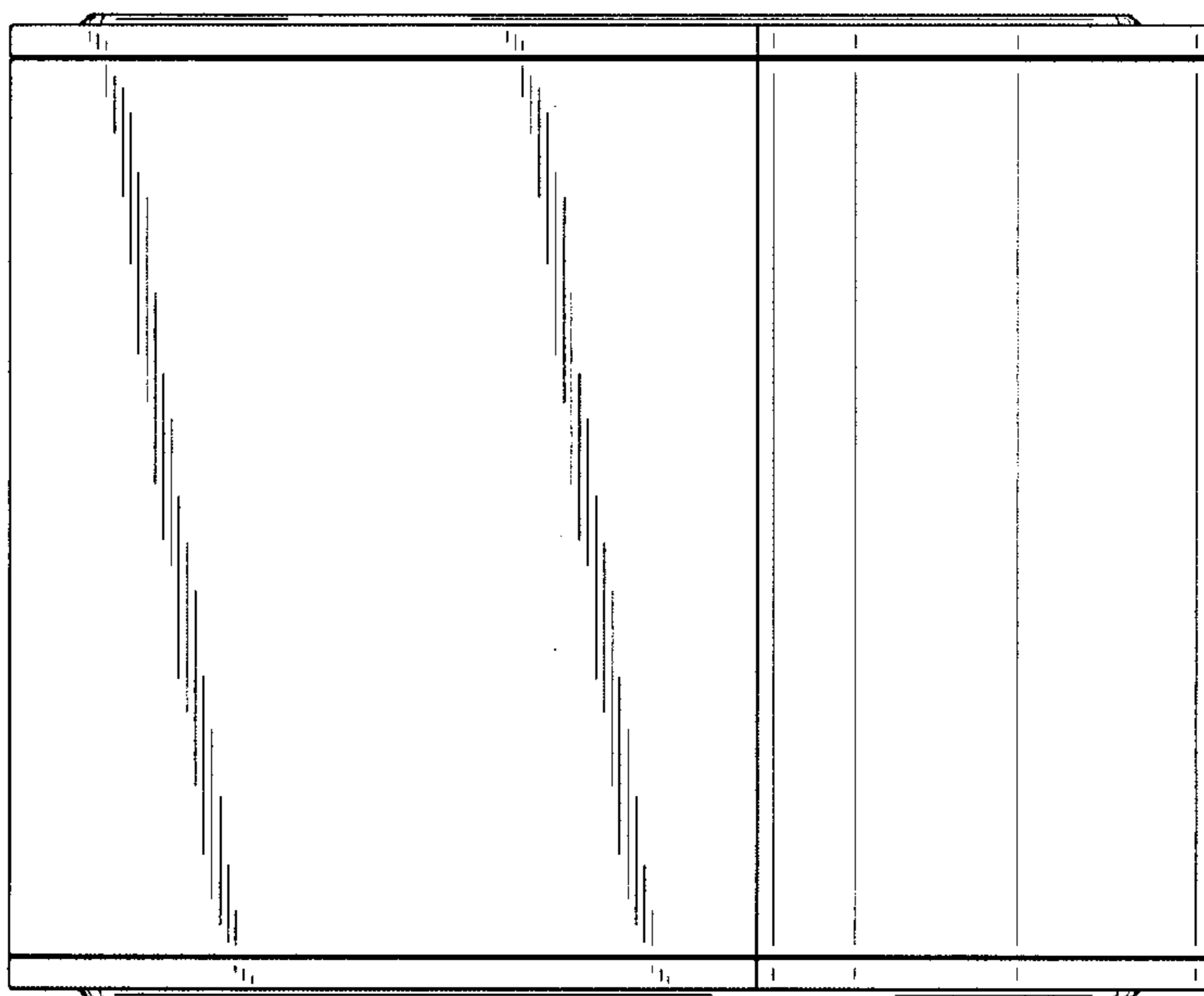


FIG. 3

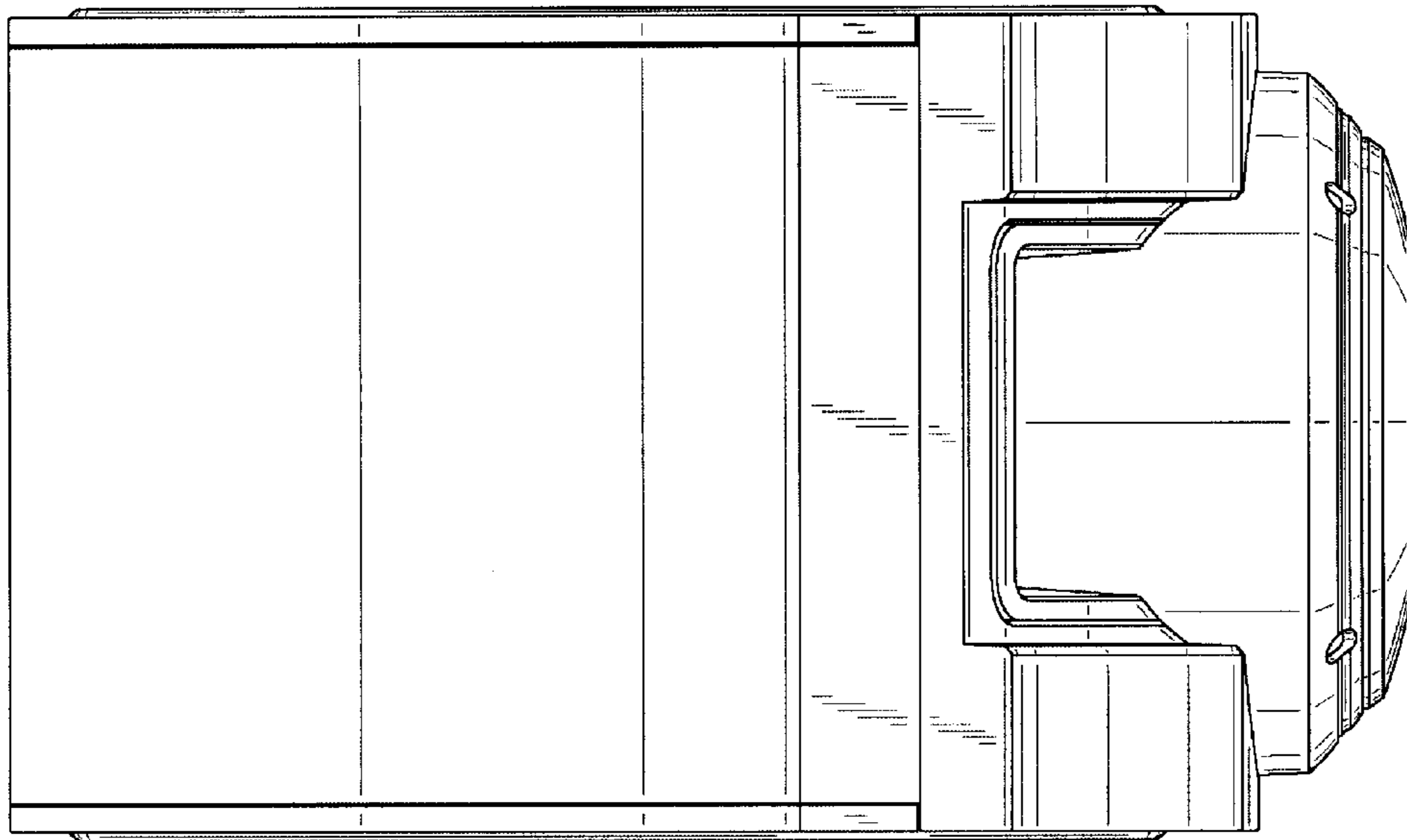


FIG. 4

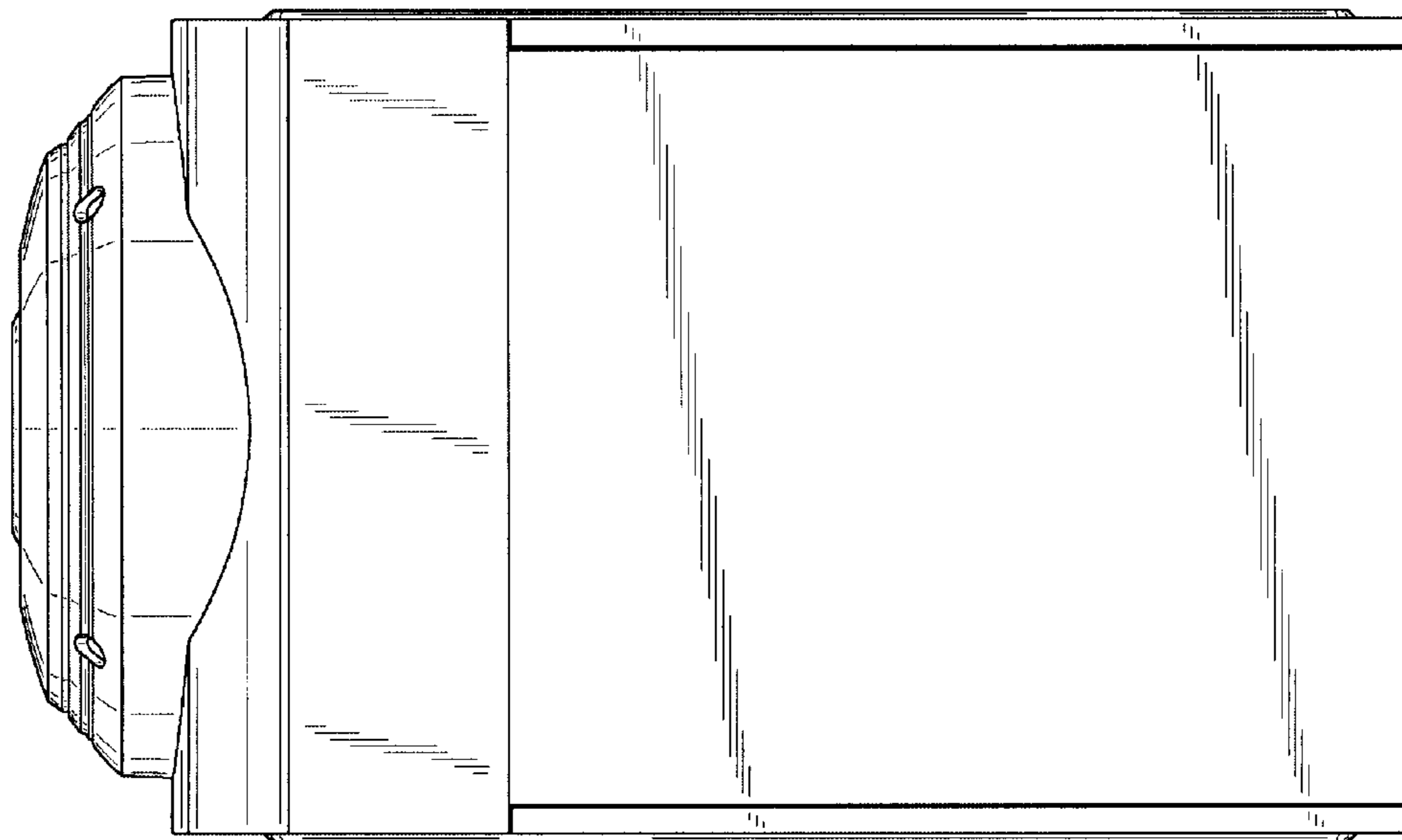


FIG. 5

FIG. 6

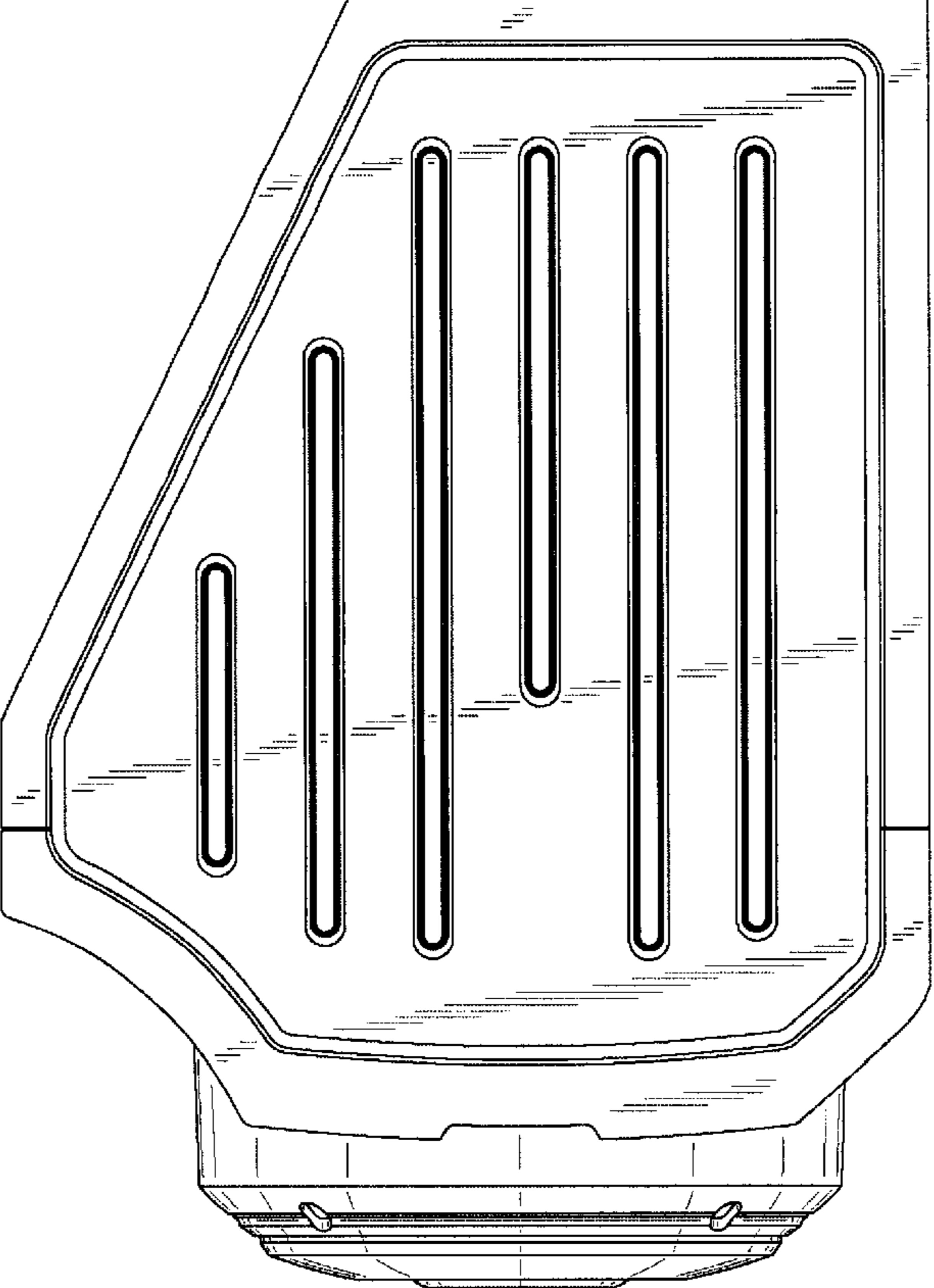


FIG. 7

