



US00D507555S

(12) **United States Design Patent** (10) **Patent No.:** **US D507,555 S**
Watanabe et al. (45) **Date of Patent:** **** Jul. 19, 2005**

(54) **PORTABLE WIRELESS TELEPHONE**
 (75) Inventors: **Jun Watanabe**, Tokyo (JP); **Mitsutaka Shiraishi**, Saitama (JP); **Satoshi Sugawara**, Tokyo (JP); **Jin Sakai**, Tokyo (JP); **Mitsuaki Kanada**, Tokyo (JP); **Kazuhiko Yamaoka**, Tokyo (JP)

(73) Assignee: **NEC Corporation**, Tokyo (JP)

(**) Term: **14 Years**

(21) Appl. No.: **29/214,387**

(22) Filed: **Oct. 4, 2004**

(30) **Foreign Application Priority Data**

Apr. 5, 2004 (JP) 2004-010450

(51) **LOC (8) Cl.** **14-03**

(52) **U.S. Cl.** **D14/138**

(58) **Field of Search** D14/137, 138, D14/147-148, 247-248, 144, 341-347; 379/433.01-433.13, 434; 455/550.1-90.3, 575.3, 566, 575.1; D21/517

(56) **References Cited**

U.S. PATENT DOCUMENTS

D438,184 S	*	2/2001	Suzuki et al.	D14/138
D440,955 S	*	4/2001	Tanaka et al.	D14/138
D445,413 S	*	7/2001	Yano	D14/138
D454,550 S	*	3/2002	Hayasaka et al.	D14/138
D459,329 S	*	6/2002	Suzuki et al.	D14/138
D469,070 S	*	1/2003	Lee	D14/138
D475,689 S	*	6/2003	Shimazu et al.	D14/138
D476,635 S	*	7/2003	Nagai et al.	D14/138
D486,463 S	*	2/2004	Hwang	D14/138
D486,809 S	*	2/2004	Hwang	D14/138
D486,810 S	*	2/2004	Chung	D14/138
D487,736 S	*	3/2004	Okada et al.	D14/138
D489,345 S	*	5/2004	Shimamura et al.	D14/138

D490,792 S	*	6/2004	Lee	D14/138
D491,906 S	*	6/2004	Okamoto	D14/138
D495,673 S	*	9/2004	Wada	D14/138
D496,019 S	*	9/2004	Okada et al.	D14/138
D496,347 S	*	9/2004	Choi et al.	D14/191
D501,190 S	*	1/2005	Watanabe et al.	D14/138
D501,458 S	*	2/2005	Kim et al.	D14/138
2004/0014490 A1	*	1/2004	Muramatsu et al.	455/550.1
2004/0058714 A1	*	3/2004	Sawamura	455/566
2004/0097258 A1	*	5/2004	Lee et al.	455/550.1
2004/0102225 A1	*	5/2004	Furuta et al.	455/566
2004/0132513 A1	*	7/2004	Taneda et al.	455/575.3
2004/0198417 A1	*	10/2004	Yoda	455/550.1
2004/0248625 A1	*	12/2004	Yoshida et al.	455/575.1

FOREIGN PATENT DOCUMENTS

JP	D1154370	*	9/2002
JP	D1154718	*	9/2002
JP	D1160803	*	12/2002
JP	D1167658	*	3/2003
JP	D1190601	*	11/2003

* cited by examiner

Primary Examiner—Jeffrey Asch

(74) *Attorney, Agent, or Firm*—Sughrue Mion, PLLC

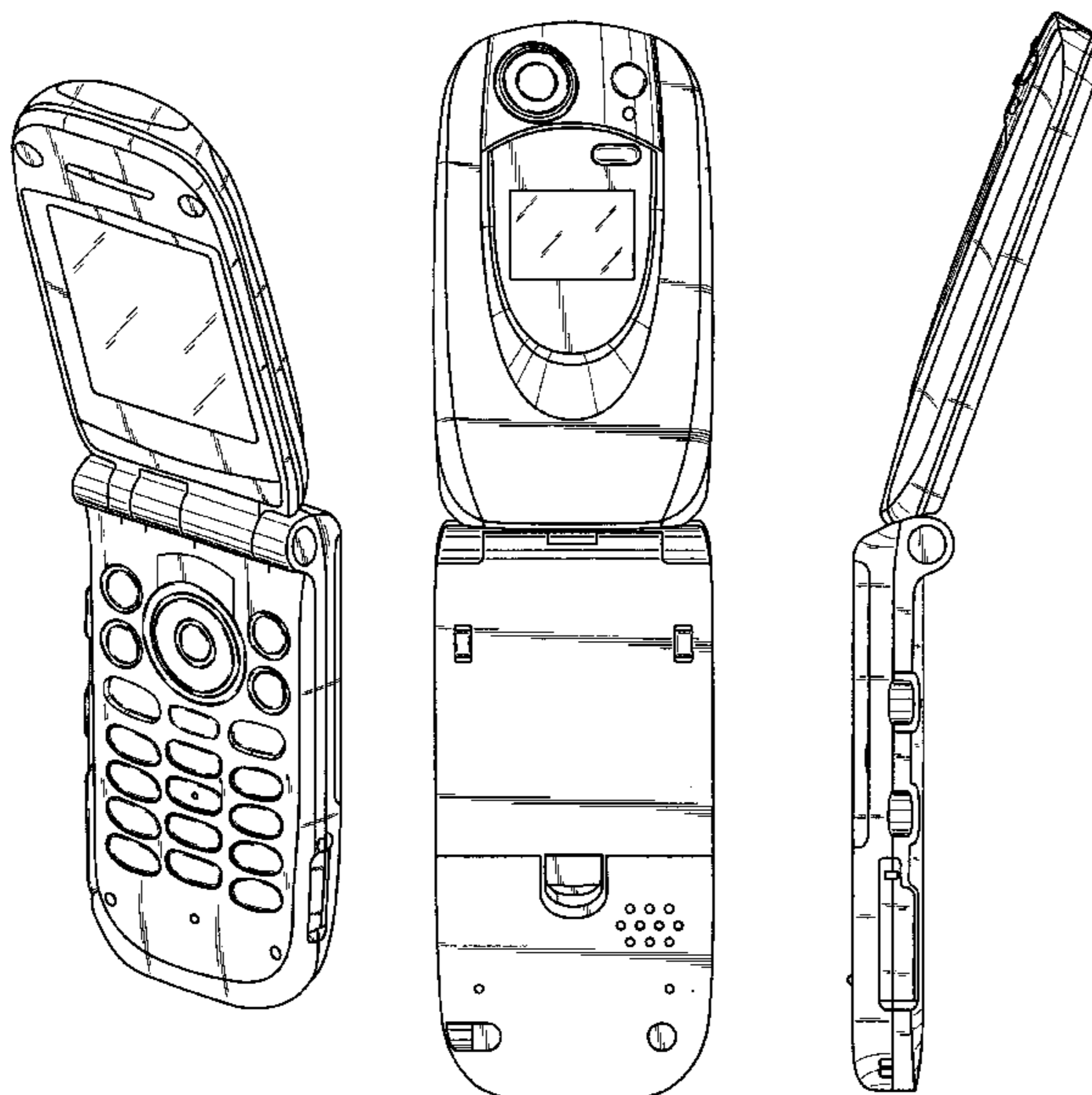
(57) **CLAIM**

The ornamental design for a portable wireless telephone, as shown.

DESCRIPTION

FIG. 1 is a perspective view of the top, front and right side of a portable wireless telephone showing our new design; FIG. 2 is a front elevational view thereof; FIG. 3 is a rear elevational view thereof; FIG. 4 is a left side elevational view thereof; FIG. 5 is a right side elevational view thereof; FIG. 6 is a top plan view thereof; and, FIG. 7 is a bottom plan view thereof.

1 Claim, 4 Drawing Sheets



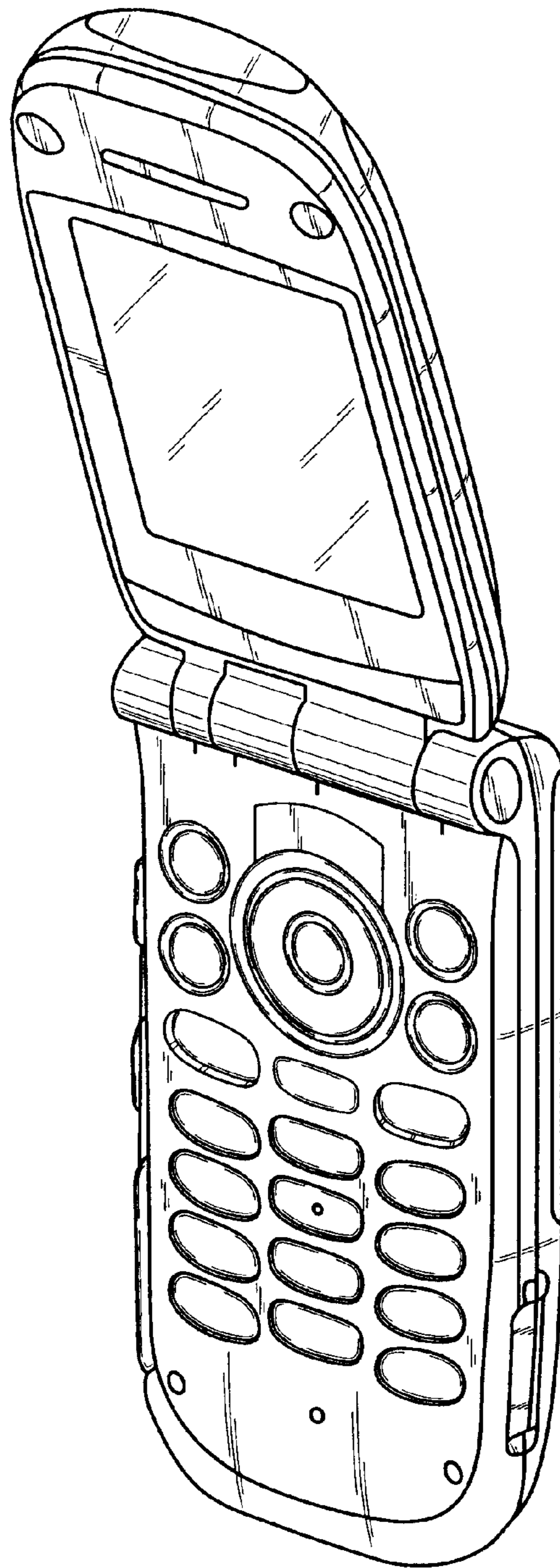


Fig. 1

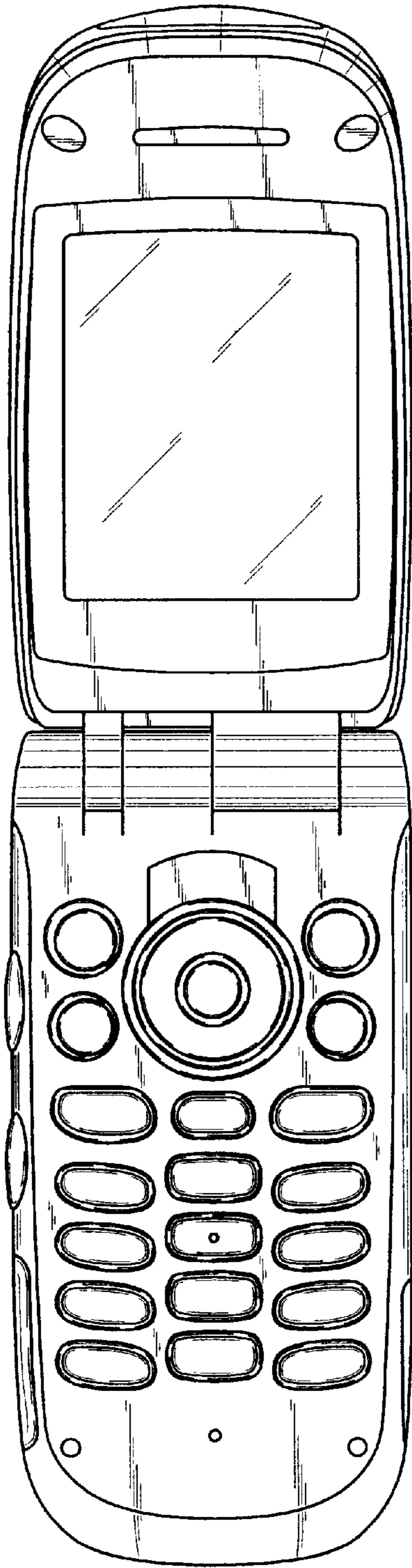


Fig. 2

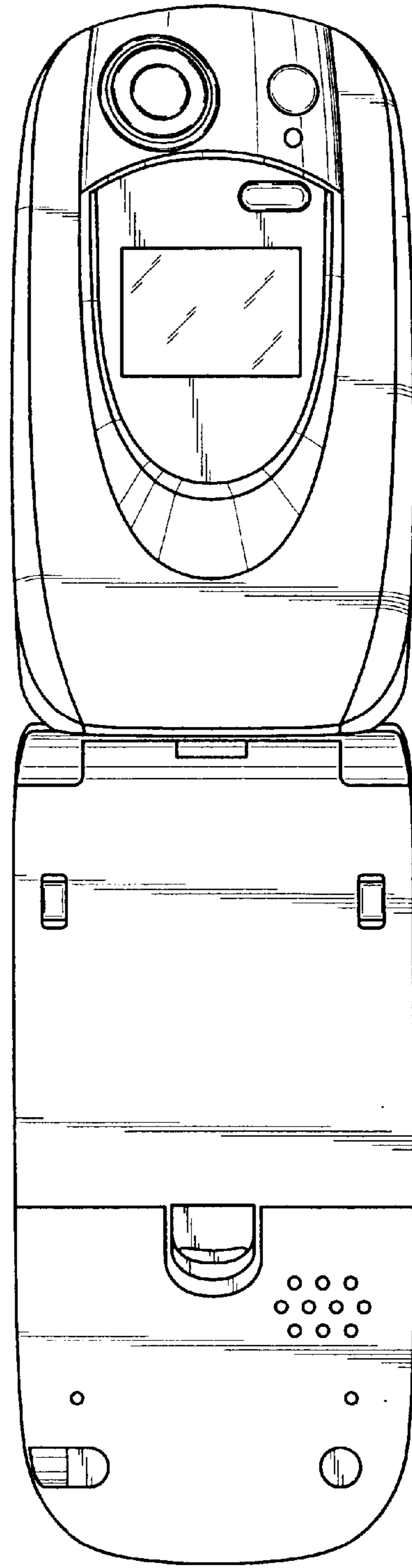


Fig. 3

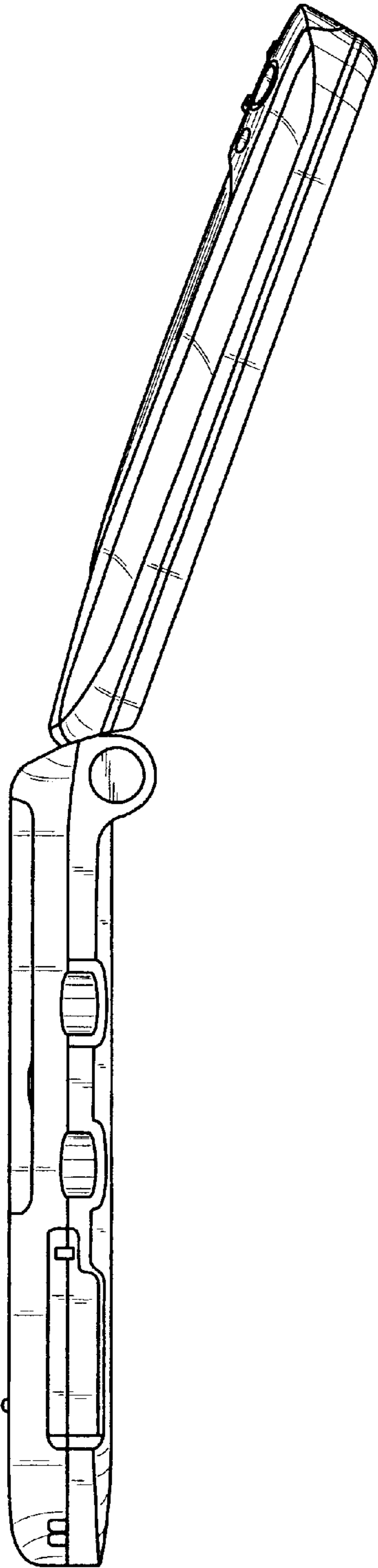


Fig. 4

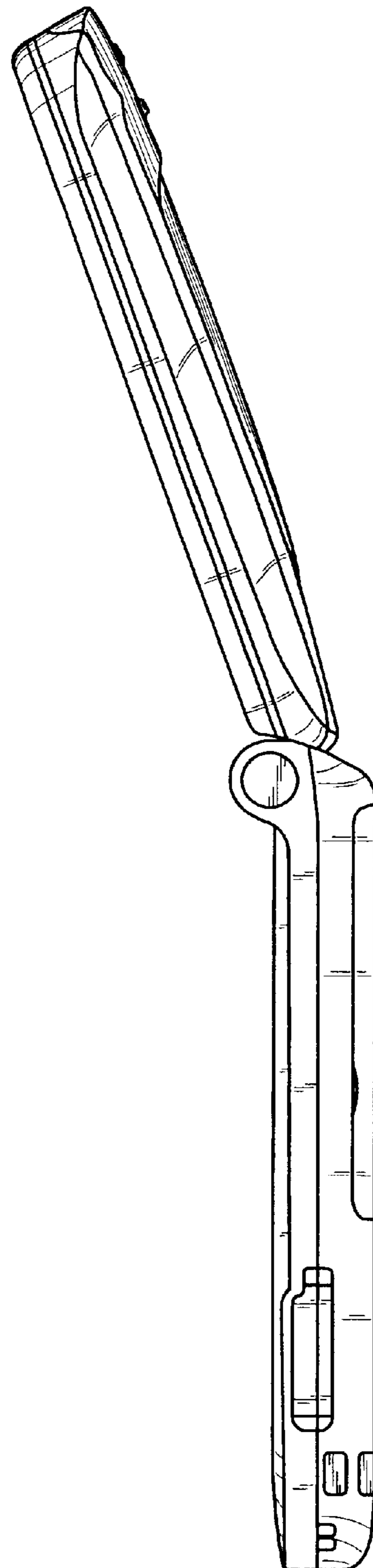


Fig. 5

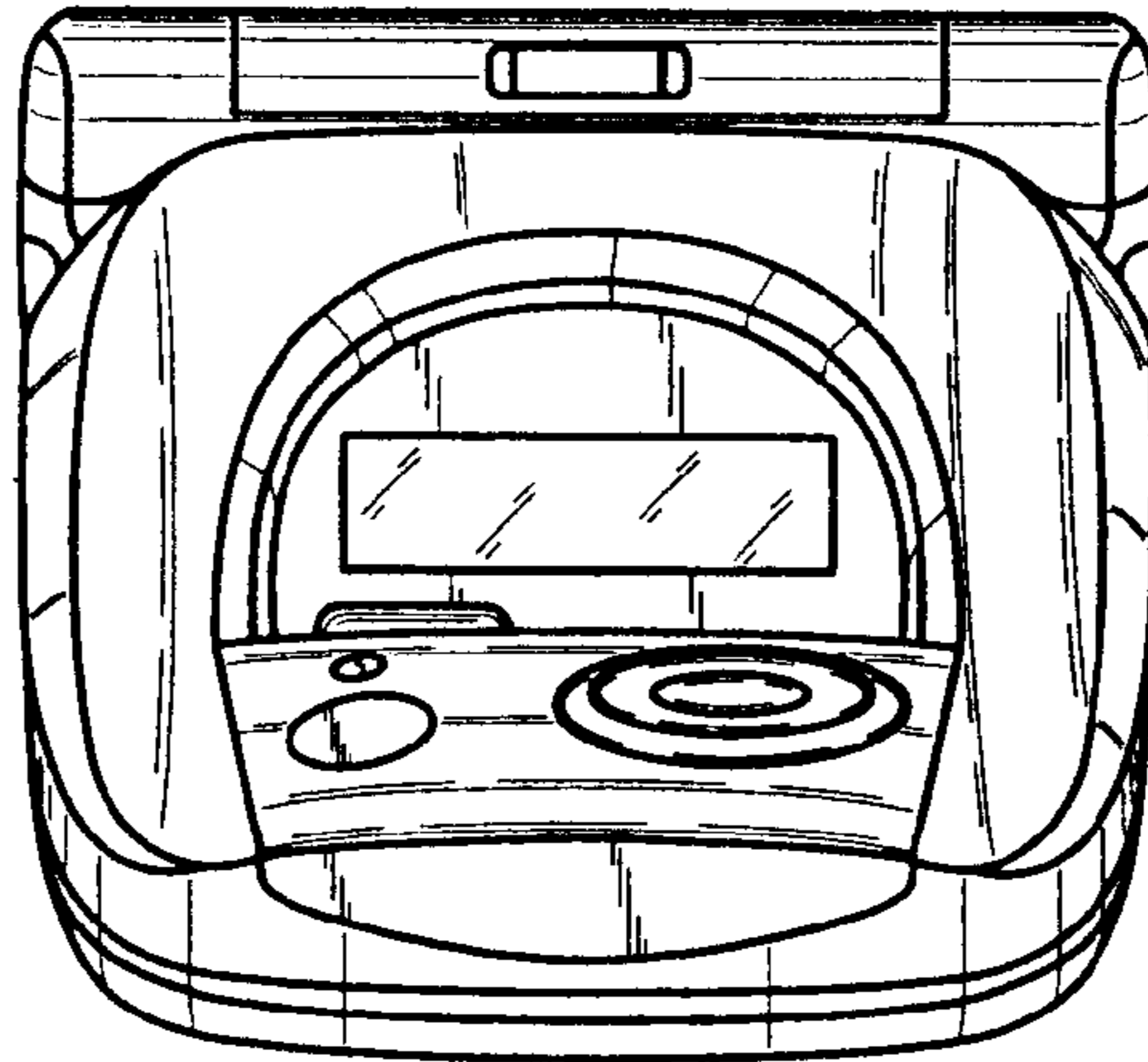


Fig. 6

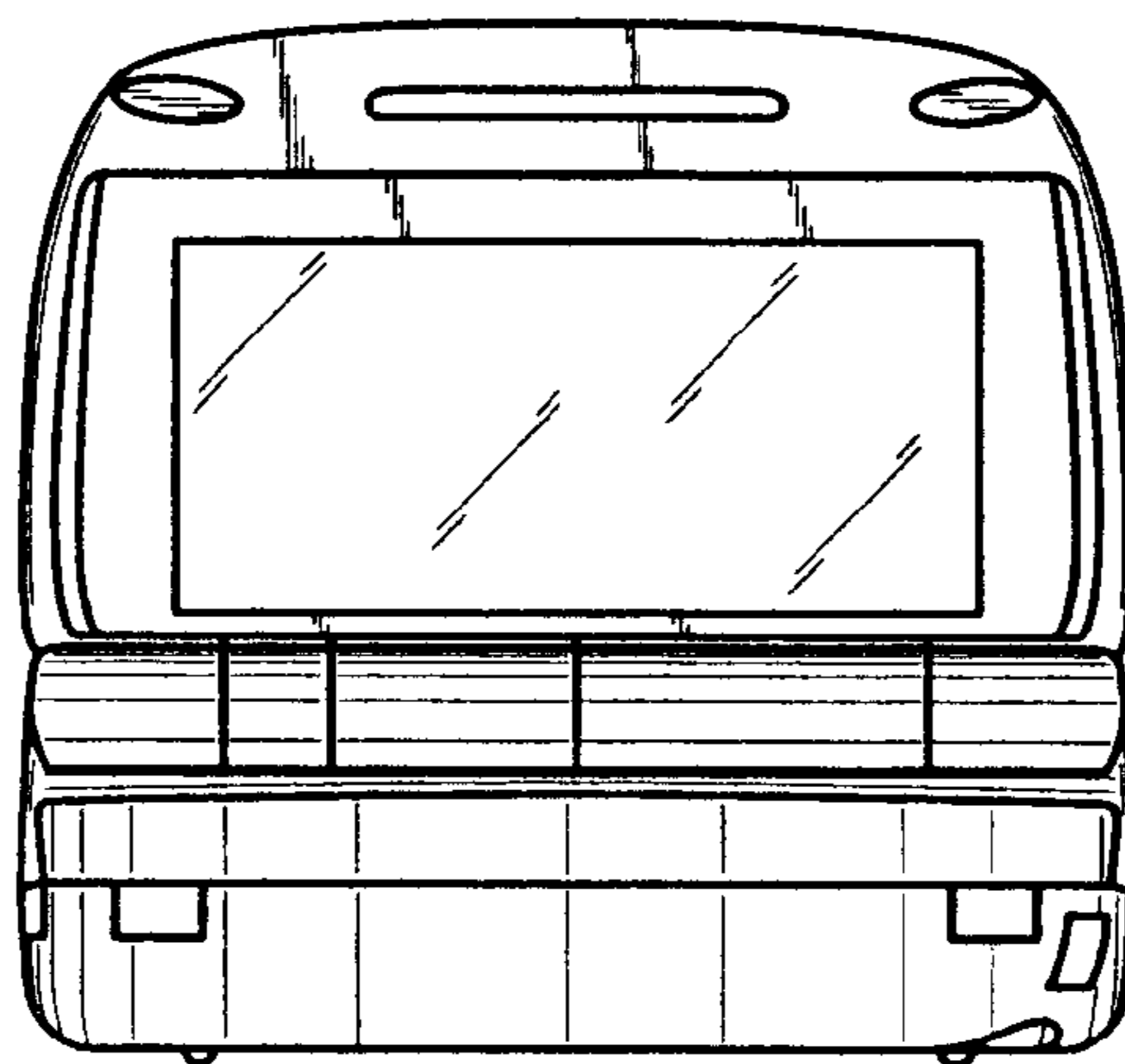


Fig. 7