

US00D507550S

(12) **United States Design Patent** (10) **Patent No.:** **US D507,550 S**  
**Kim et al.** (45) **Date of Patent:** **\*\* Jul. 19, 2005**

(54) **PORTABLE TELEPHONE**  
(75) Inventors: **Jin-Soo Kim**, Seoul (KR); **Nam-Mi Kim**, Seoul (KR); **Chang-Hwan Hwang**, Seoul (KR)  
(73) Assignee: **Samsung Electronics Co., Ltd.**, Kyunggi-do (KR)  
(\*\*) Term: **14 Years**  
(21) Appl. No.: **29/204,875**  
(22) Filed: **May 5, 2004**  
(51) **LOC (8) Cl.** ..... **14-03**  
(52) **U.S. Cl.** ..... **D14/138; D10/31**  
(58) **Field of Search** ..... D14/137, 138, D14/147-148, 247-248, 144, 341-347; 379/433.01-433.13, 434; 455/550.1-90.3, 575.4, 566, 575.1, 556.1, 556.2, 575.6; D21/517; D24/167, 186; 600/503; D10/30-39, 122-126, 128; 368/10, 13

(56) **References Cited**

**U.S. PATENT DOCUMENTS**

D260,411 S \* 8/1981 Rubin ..... D21/513  
4,419,770 A \* 12/1983 Yagi et al. .... 455/301  
D279,671 S \* 7/1985 Stanton ..... D14/192  
D296,675 S \* 7/1988 Jones et al. .... D10/31  
D299,463 S \* 1/1989 Hermann ..... D14/344  
4,891,776 A \* 1/1990 Kuroki et al. .... 708/111  
5,218,577 A \* 6/1993 Seager ..... 368/10  
5,224,076 A \* 6/1993 Thorp ..... 368/10  
5,228,012 A \* 7/1993 Seager ..... 368/10  
5,235,560 A \* 8/1993 Seager ..... 368/10  
5,235,561 A \* 8/1993 Seager ..... 368/10  
5,274,613 A \* 12/1993 Seager ..... 368/13  
D360,590 S \* 7/1995 Murakami et al. .... D10/31  
5,467,324 A \* 11/1995 Houlihan ..... 368/10  
5,499,292 A \* 3/1996 Blonder et al. .... 379/433.1  
5,819,183 A \* 10/1998 Voroba et al. .... 455/570  
5,872,744 A \* 2/1999 Taylor ..... 368/13  
6,035,035 A \* 3/2000 Firooz ..... 379/433.1  
D427,918 S \* 7/2000 Nakai et al. .... D10/31  
6,158,884 A \* 12/2000 Lebby et al. .... 368/282

D451,826 S \* 12/2001 Giardiello ..... D10/32  
D456,283 S \* 4/2002 Baumann ..... D10/32  
D456,724 S \* 5/2002 Wilson ..... D10/32  
D460,430 S \* 7/2002 Wada et al. .... D14/138  
D461,722 S \* 8/2002 Kojima ..... D10/30  
D466,487 S \* 12/2002 Wada et al. .... D14/138  
D466,488 S \* 12/2002 Wada et al. .... D14/138  
D466,879 S \* 12/2002 Wada et al. .... D14/138  
D488,391 S \* 4/2004 Kume ..... D10/32  
D489,346 S \* 5/2004 Lowinger ..... D14/138  
D492,658 S \* 7/2004 Lowinger ..... D14/138  
D496,590 S \* 9/2004 Chung et al. .... D10/31  
2001/0036264 A1 \* 11/2001 Ito et al. .... 379/433.1  
2002/0103014 A1 \* 8/2002 Hutchison et al. .... 455/575  
2003/0125097 A1 \* 7/2003 Anlauff ..... 455/575  
2004/0203414 A1 \* 10/2004 Satou et al. .... 455/66.1

**FOREIGN PATENT DOCUMENTS**

JP 2004032716 A \* 1/2004 ..... H04M/1/05

**OTHER PUBLICATIONS**

U.S. Appl. No. 29/204,874; Applicant: Jin-Soo Kim, et al., filed May 5, 2004, including specification, claim and 4 sheets of drawings.

\* cited by examiner

*Primary Examiner*—Jeffrey Asch

(74) *Attorney, Agent, or Firm*—Flynn, Thiel, Boutell & Tanis, P.C.

(57) **CLAIM**

The ornamental design for a portable telephone, as shown and described.

**DESCRIPTION**

FIG. 1. is a bottom front perspective view of a portable telephone showing our new design.

FIG. 2. is a front elevational view thereof.

FIG. 3. is a rear elevational view thereof.

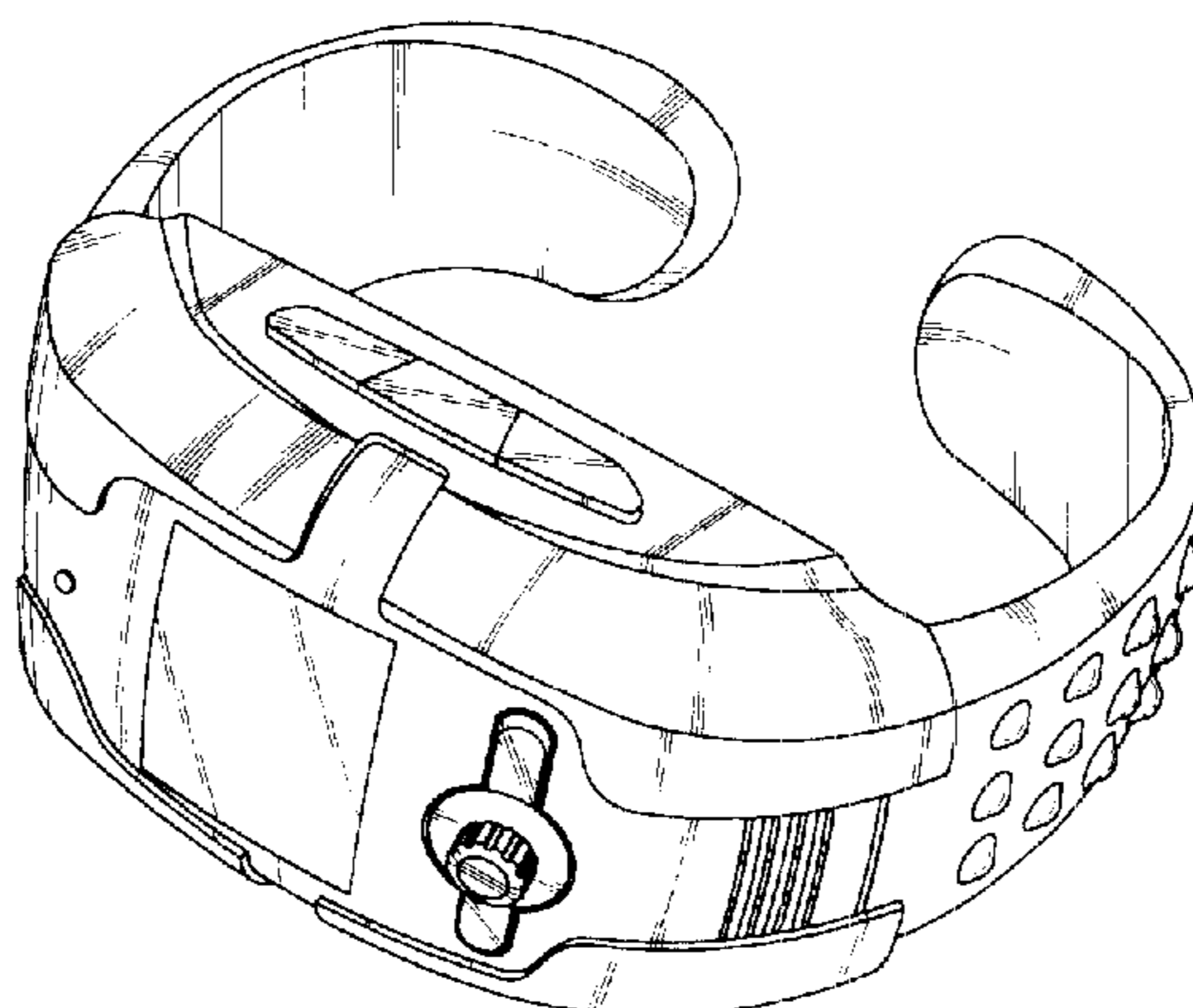
FIG. 4. is a left side elevational view thereof.

FIG. 5. is a right side elevational view thereof.

FIG. 6. is a top plan view thereof; and,

FIG. 7. is a bottom plan view thereof.

**1 Claim, 4 Drawing Sheets**



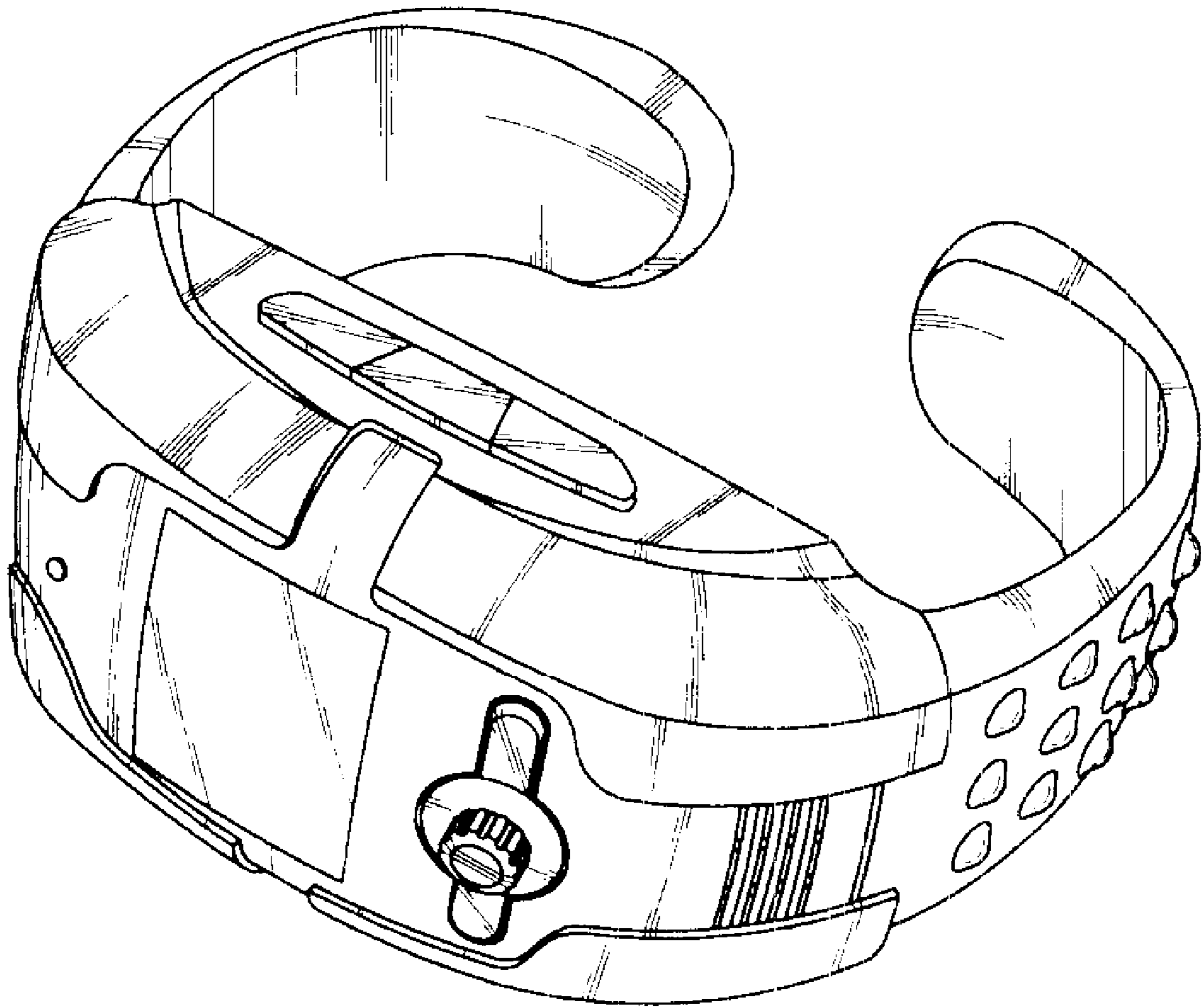


FIG. 1

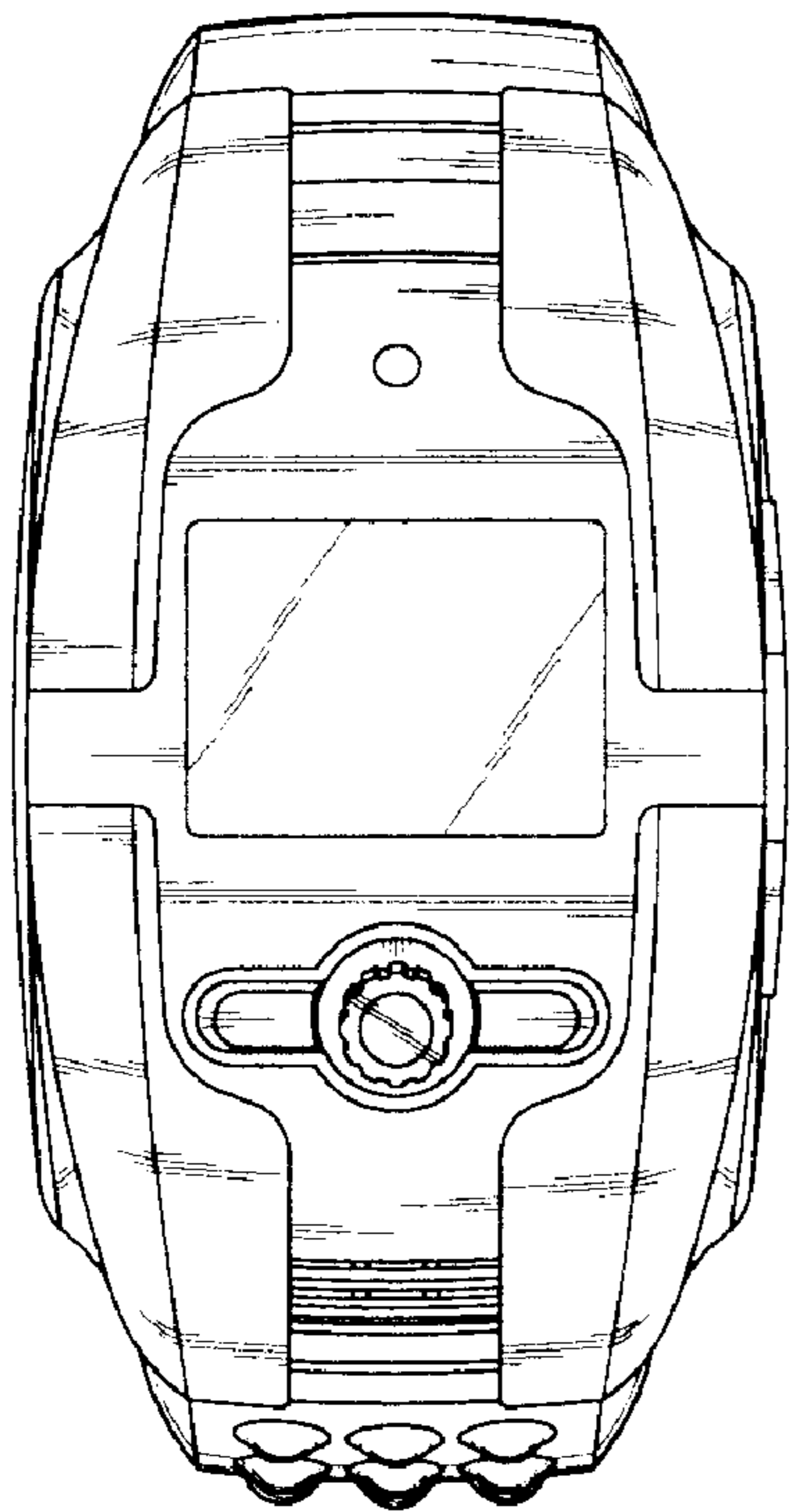


FIG. 2

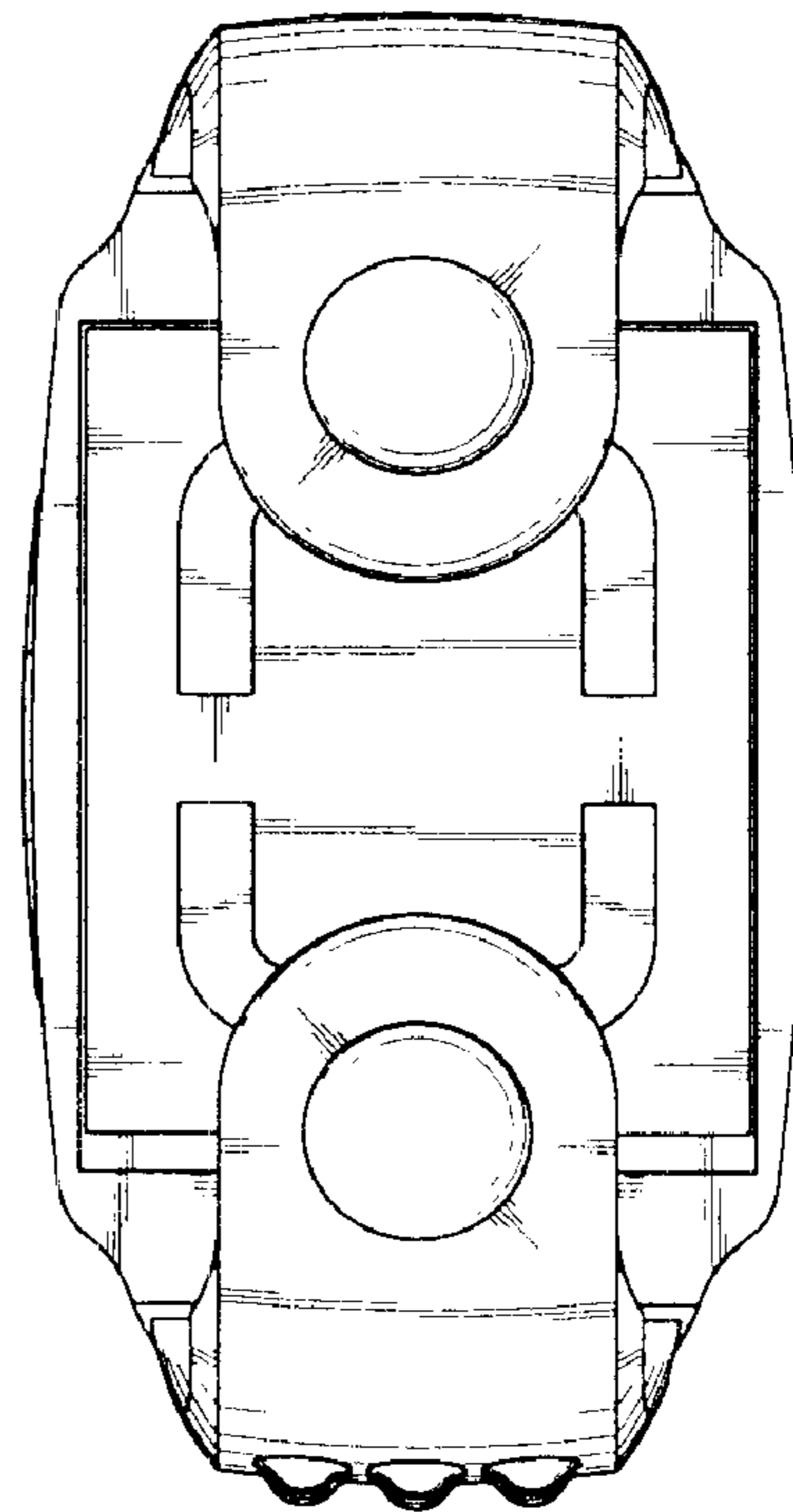


FIG. 3

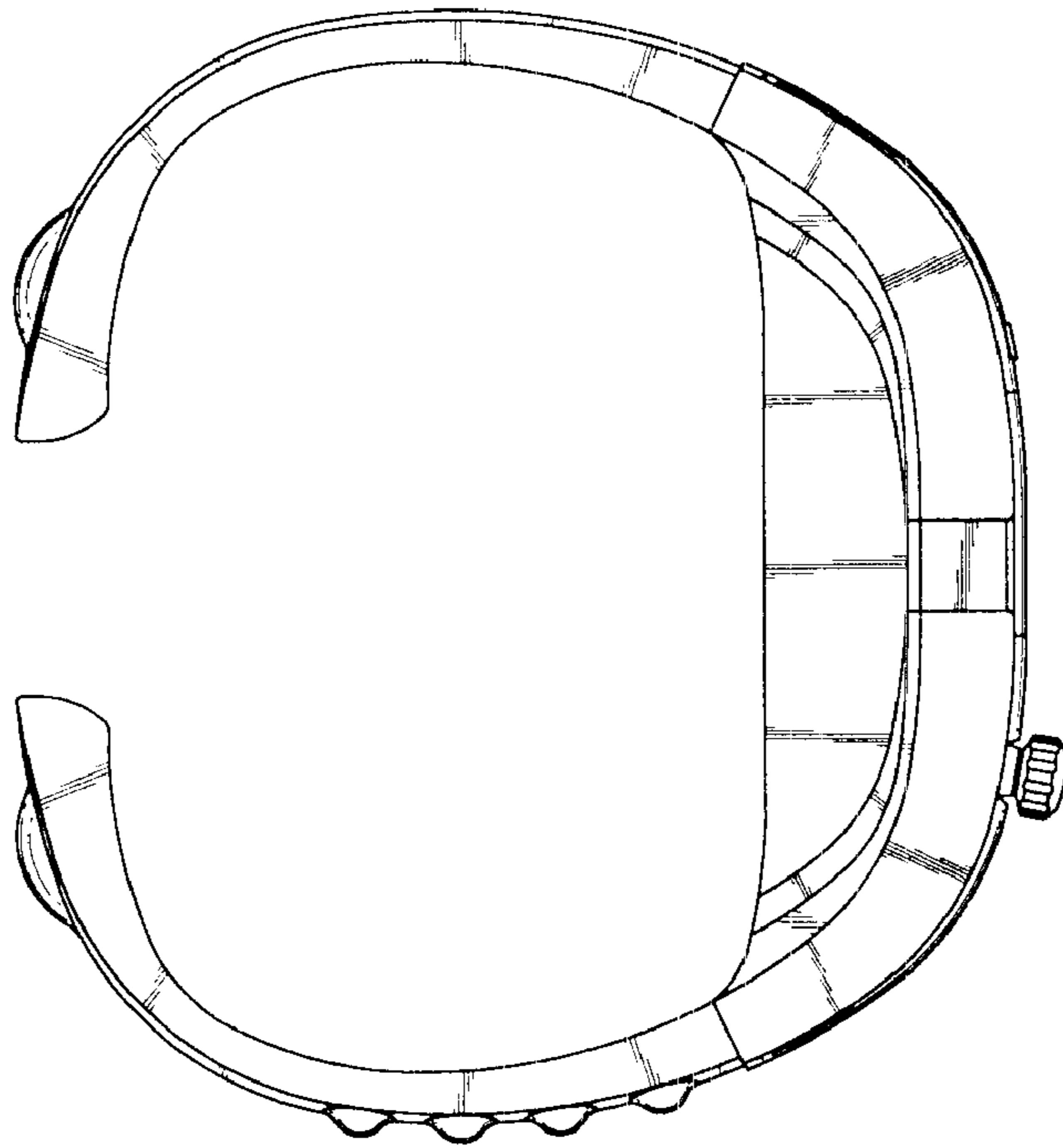


FIG. 4

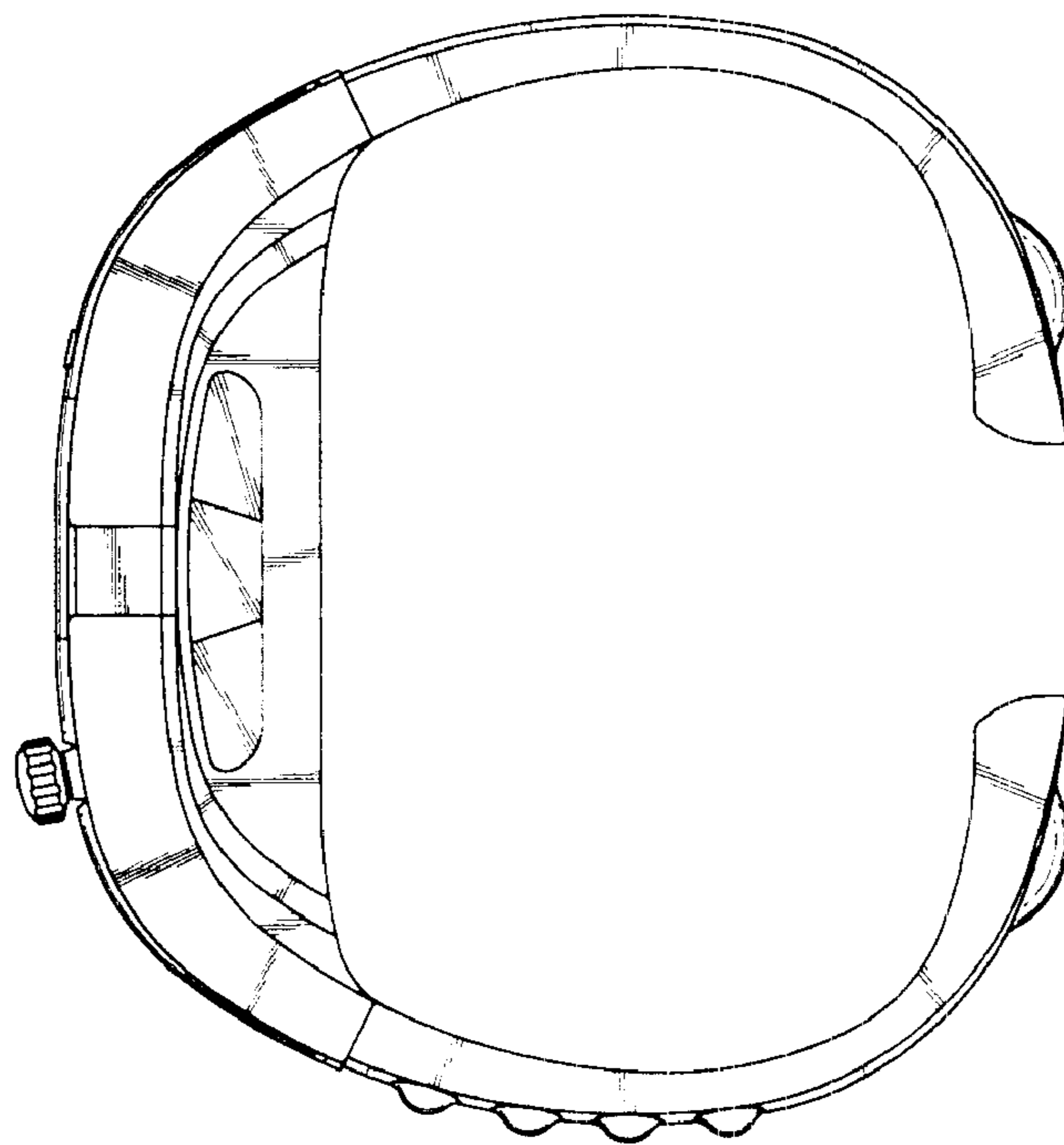


FIG. 5

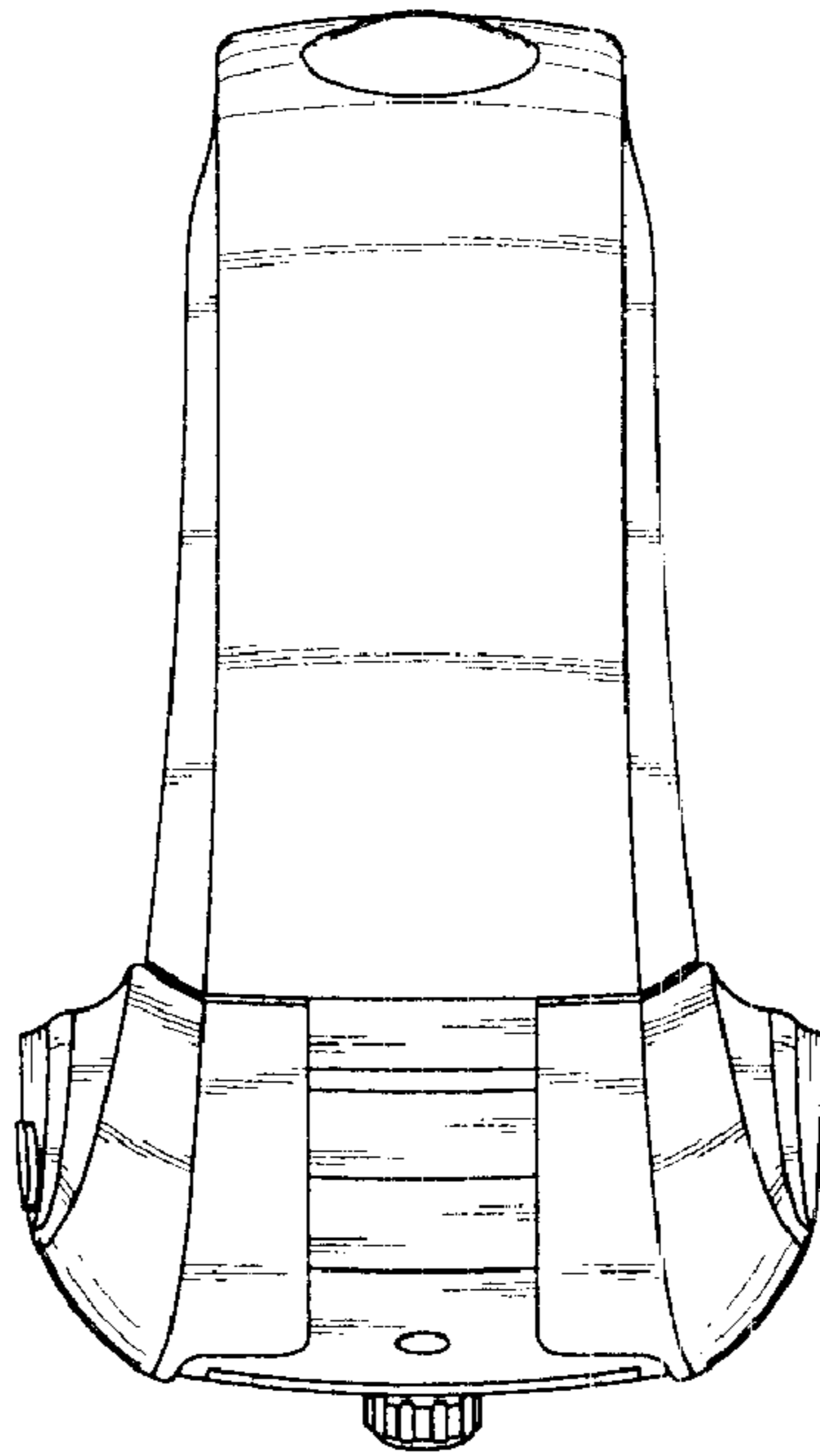


FIG. 6

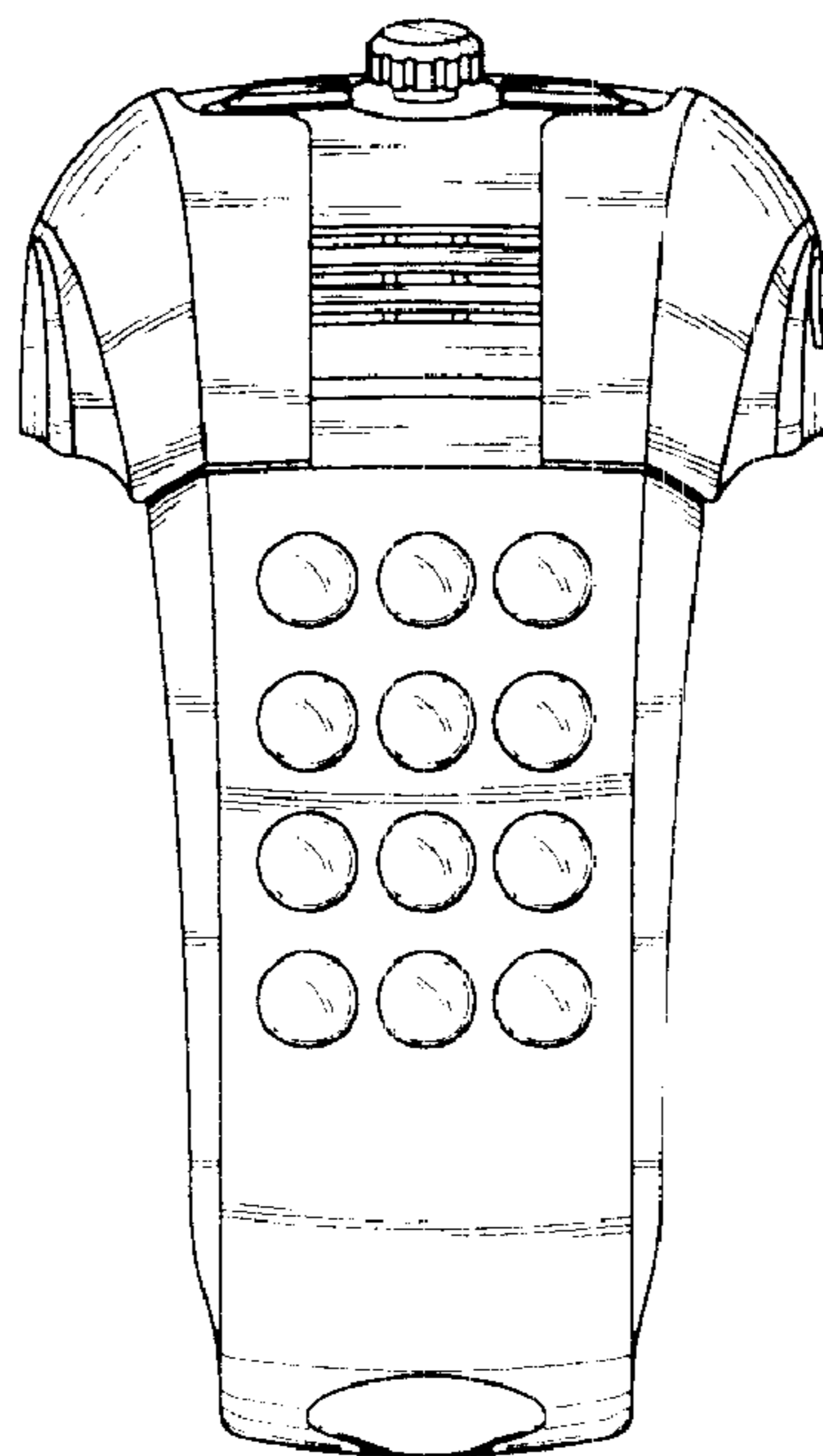


FIG. 7