

US00D507546S

(12) **United States Design Patent**  
**Fairfull**

(10) **Patent No.:** **US D507,546 S**

(45) **Date of Patent:** **\*\* Jul. 19, 2005**

(54) **HOUSING FOR A HYDROGEN GAS GENERATOR**

2004/0146754 A1 \* 7/2004 Arthur et al. .... 429/12  
2004/0156760 A1 \* 8/2004 Watanabe ..... 422/179

(75) Inventor: **Thomas Fairfull, Ajax (CA)**

\* cited by examiner

(73) Assignee: **Dynamic Fuel Systems Inc., Ontario (CA)**

*Primary Examiner*—Stella Reid  
*Assistant Examiner*—Selina Sikder

(74) *Attorney, Agent, or Firm*—Clark & Brody

(\*\*) Term: **14 Years**

(57) **CLAIM**

(21) Appl. No.: **29/214,028**

The ornamental design for a housing for a hydrogen gas generator, as shown and described.

(22) Filed: **Sep. 28, 2004**

**DESCRIPTION**

(51) **LOC (8) Cl.** ..... **13-03**

(52) **U.S. Cl.** ..... **D13/184**

(58) **Field of Search** ..... D13/184; D23/202;  
102/412; 174/50, 52.1; 361/679, 724, 796;  
422/232, 239, 177; 429/12

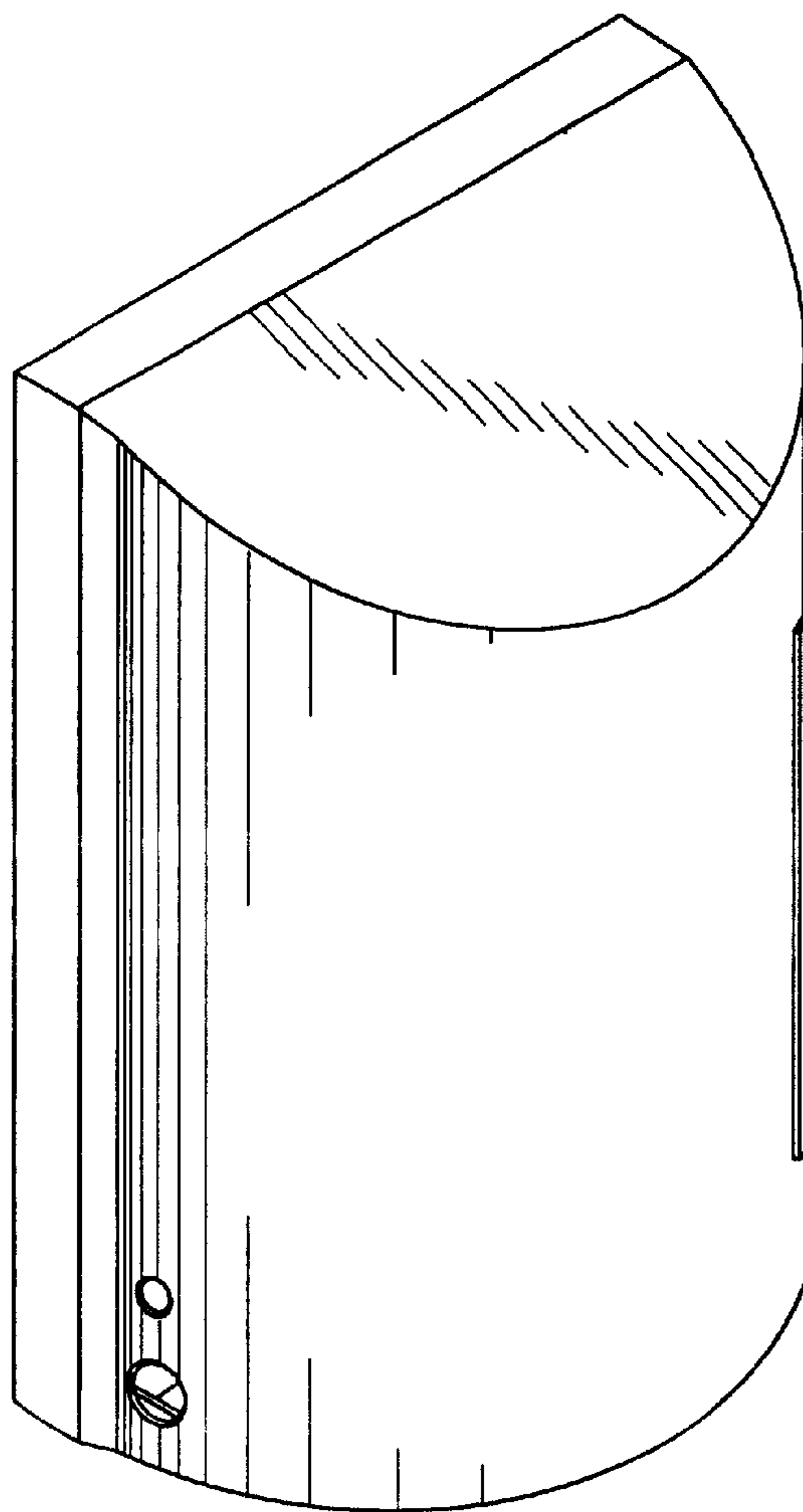
FIG. 1 is a perspective view of the housing for a hydrogen gas generator, in the closed position;  
FIG. 2 is a perspective view thereof, as in FIG. 1, in the open position;  
FIG. 3 is a front elevational view thereof;  
FIG. 4 is a rear elevational view thereof;  
FIG. 5 is a side elevational view thereof;  
FIG. 6 is an opposed side elevational view;  
FIG. 7 is a plan view thereof, from above; and,  
FIG. 8 is a plan view thereof, from below.

(56) **References Cited**

**U.S. PATENT DOCUMENTS**

1,519,607 A \* 12/1924 Fauzon ..... 422/239  
2,909,119 A \* 10/1959 Crist ..... 102/412  
2002/0006533 A1 \* 1/2002 Bergman ..... 429/12

**1 Claim, 3 Drawing Sheets**



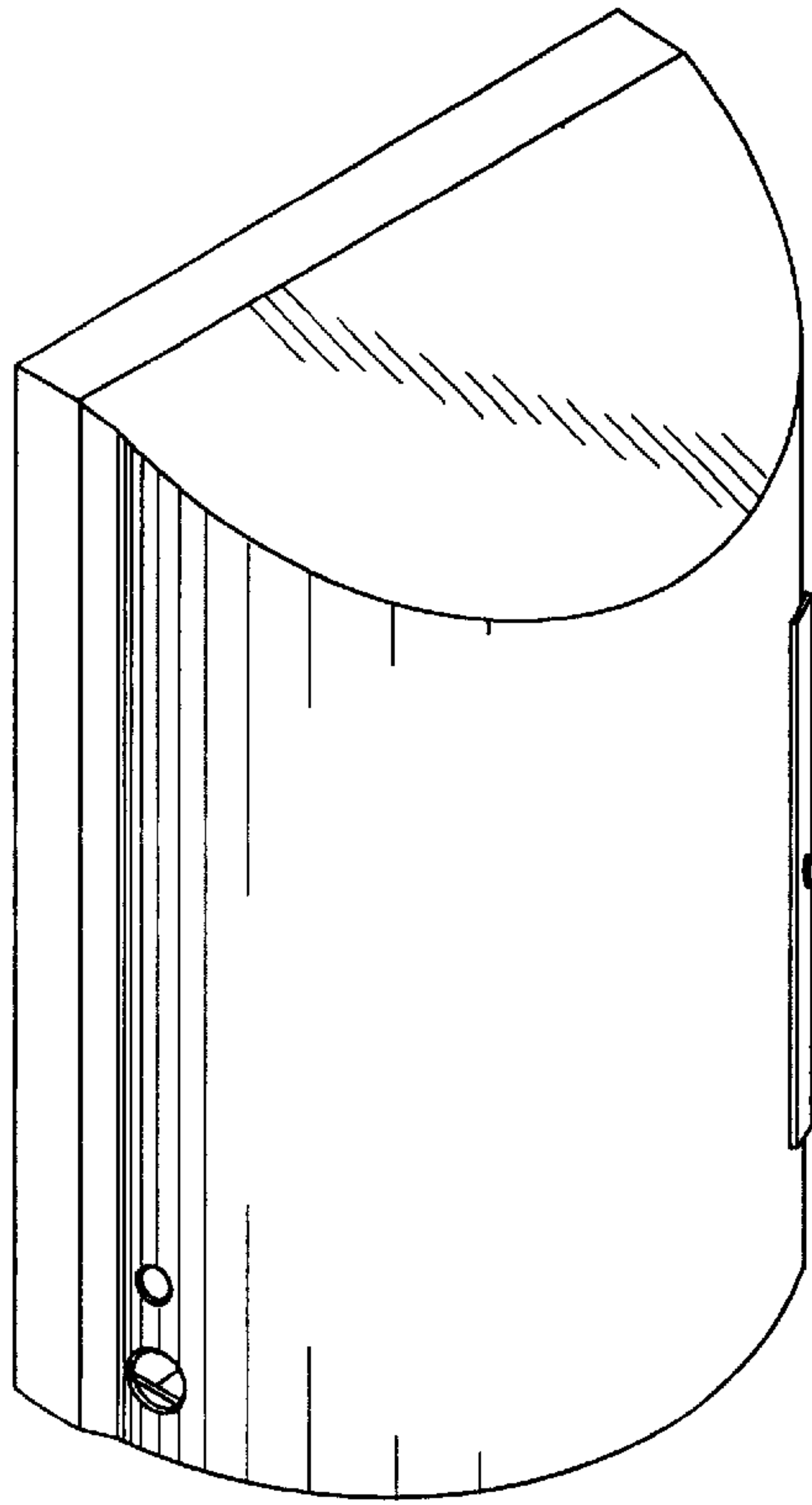


Fig. 1

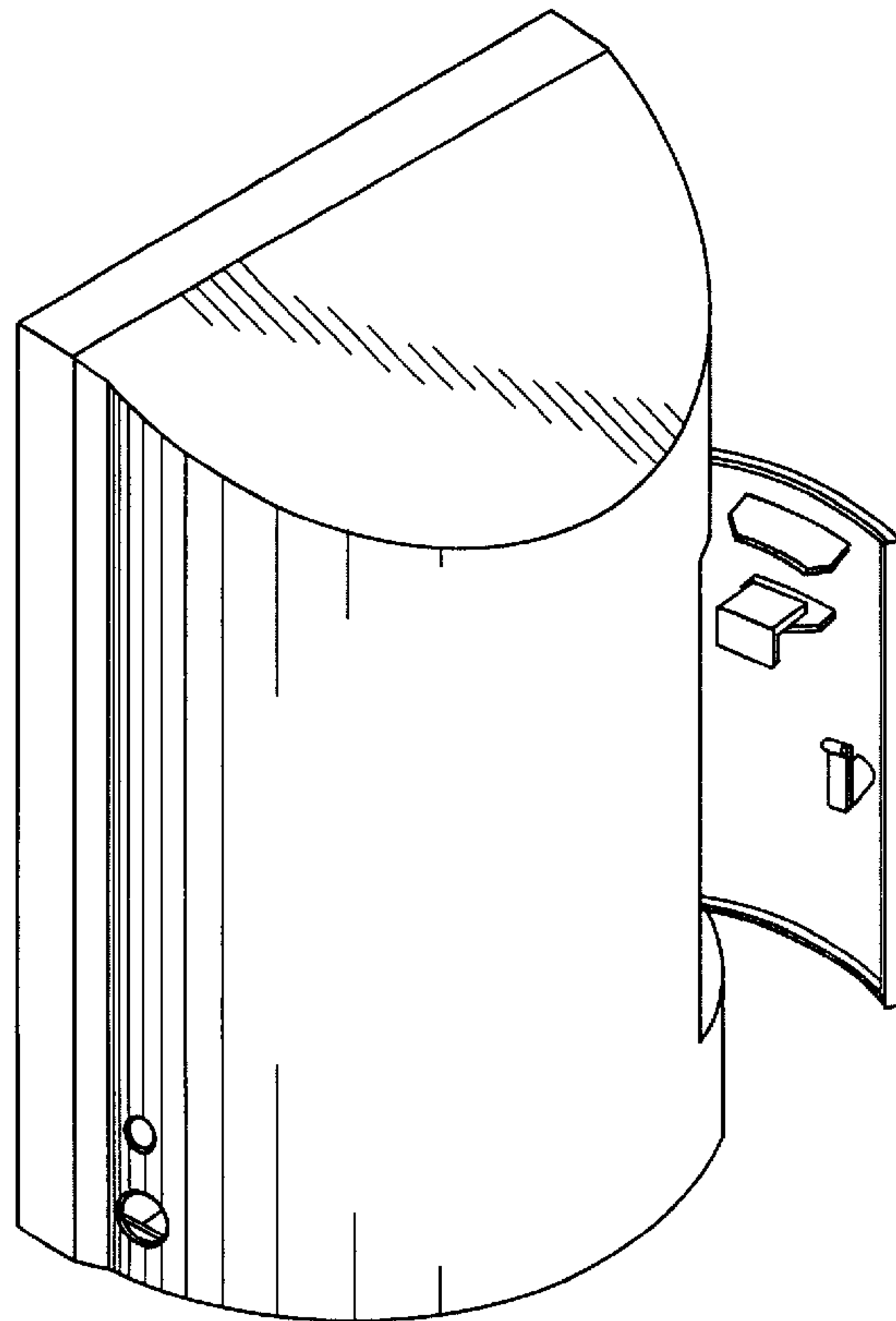


Fig. 2

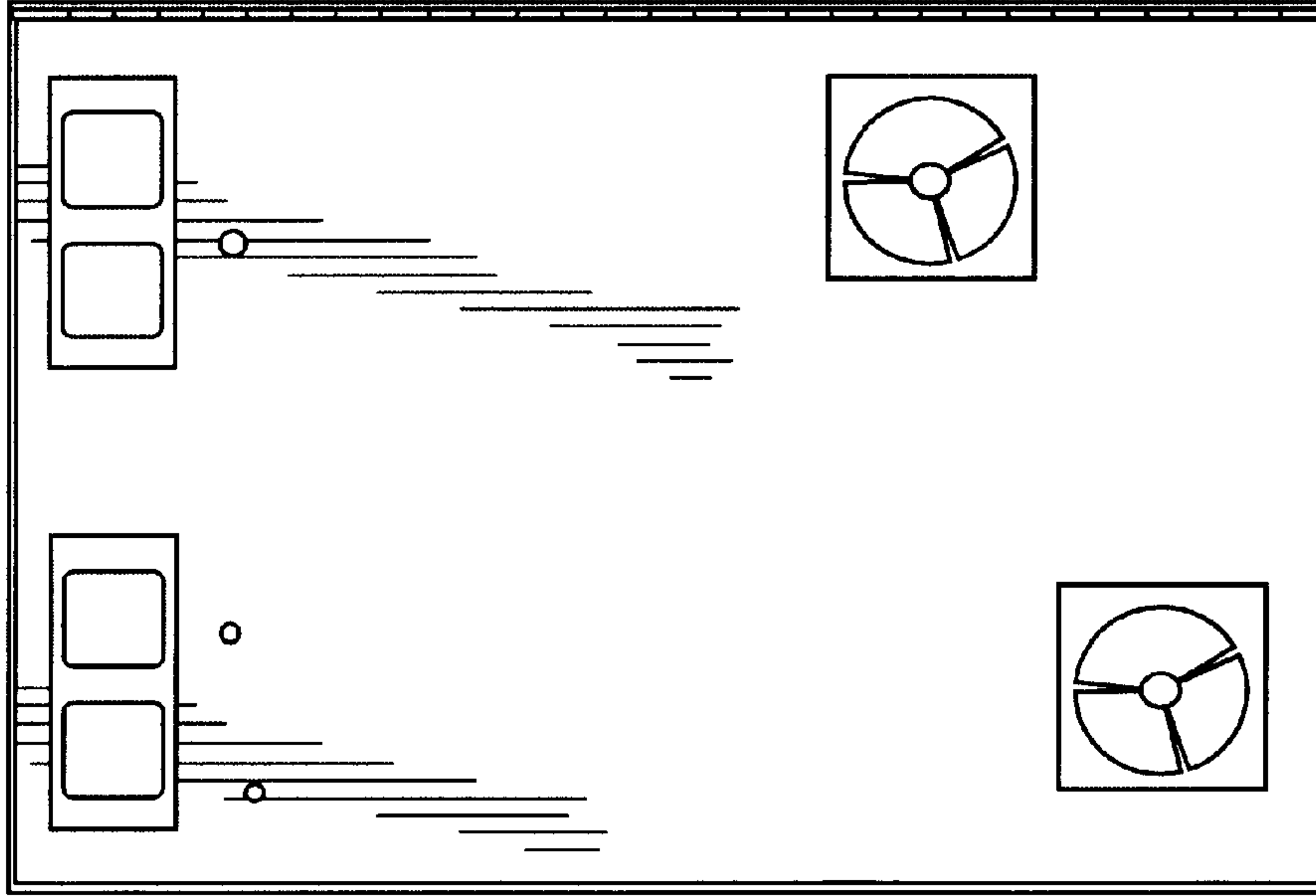


Fig. 4

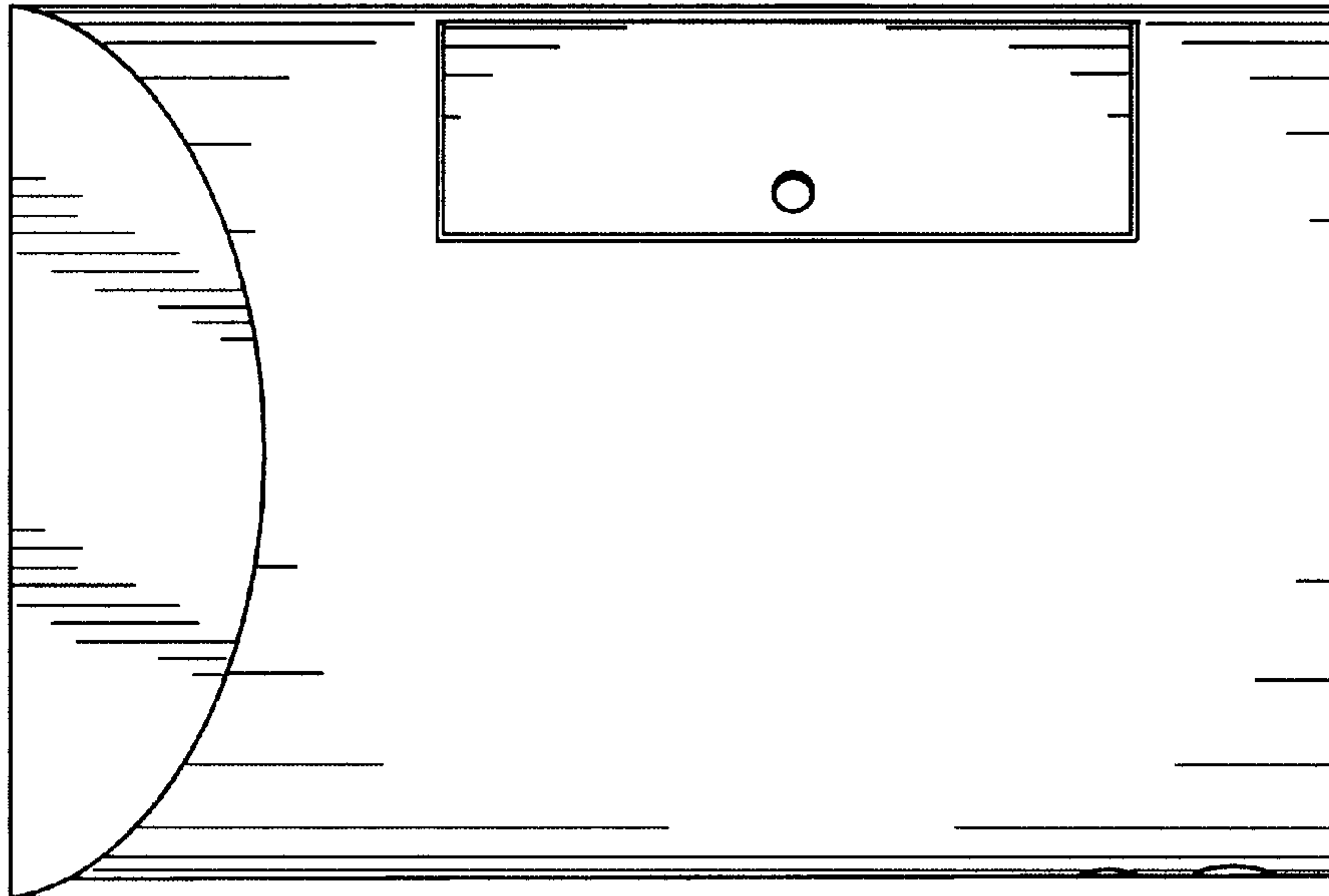


Fig. 3

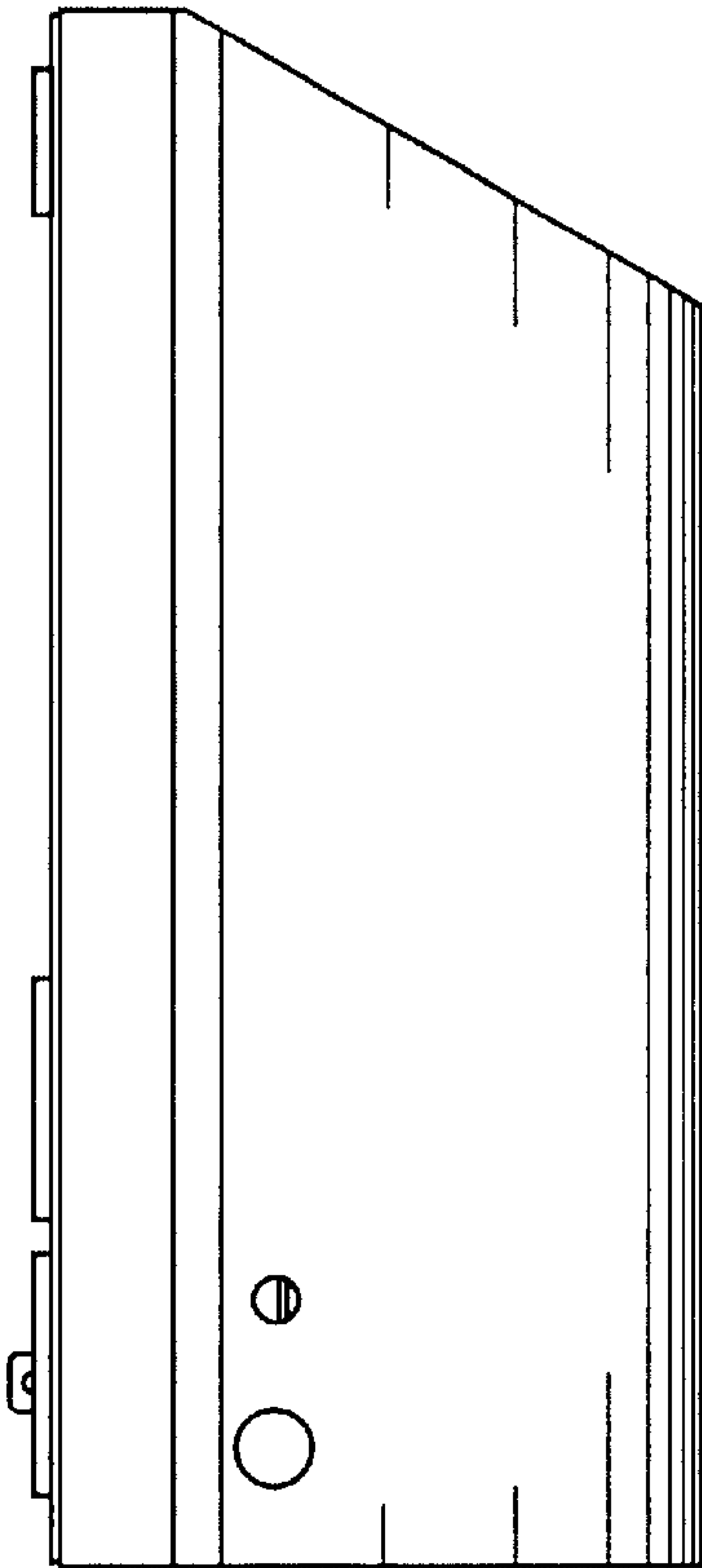


Fig 5

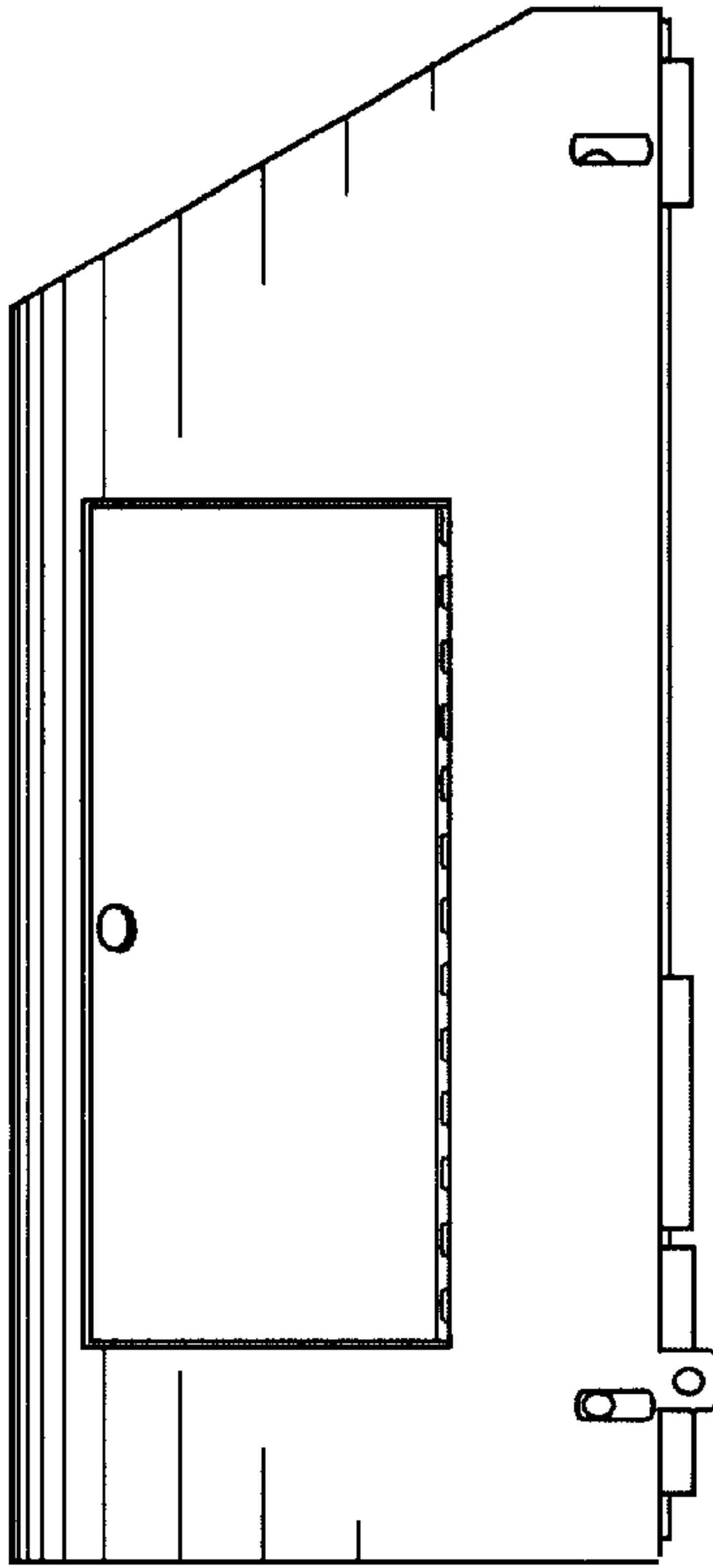


Fig. 6

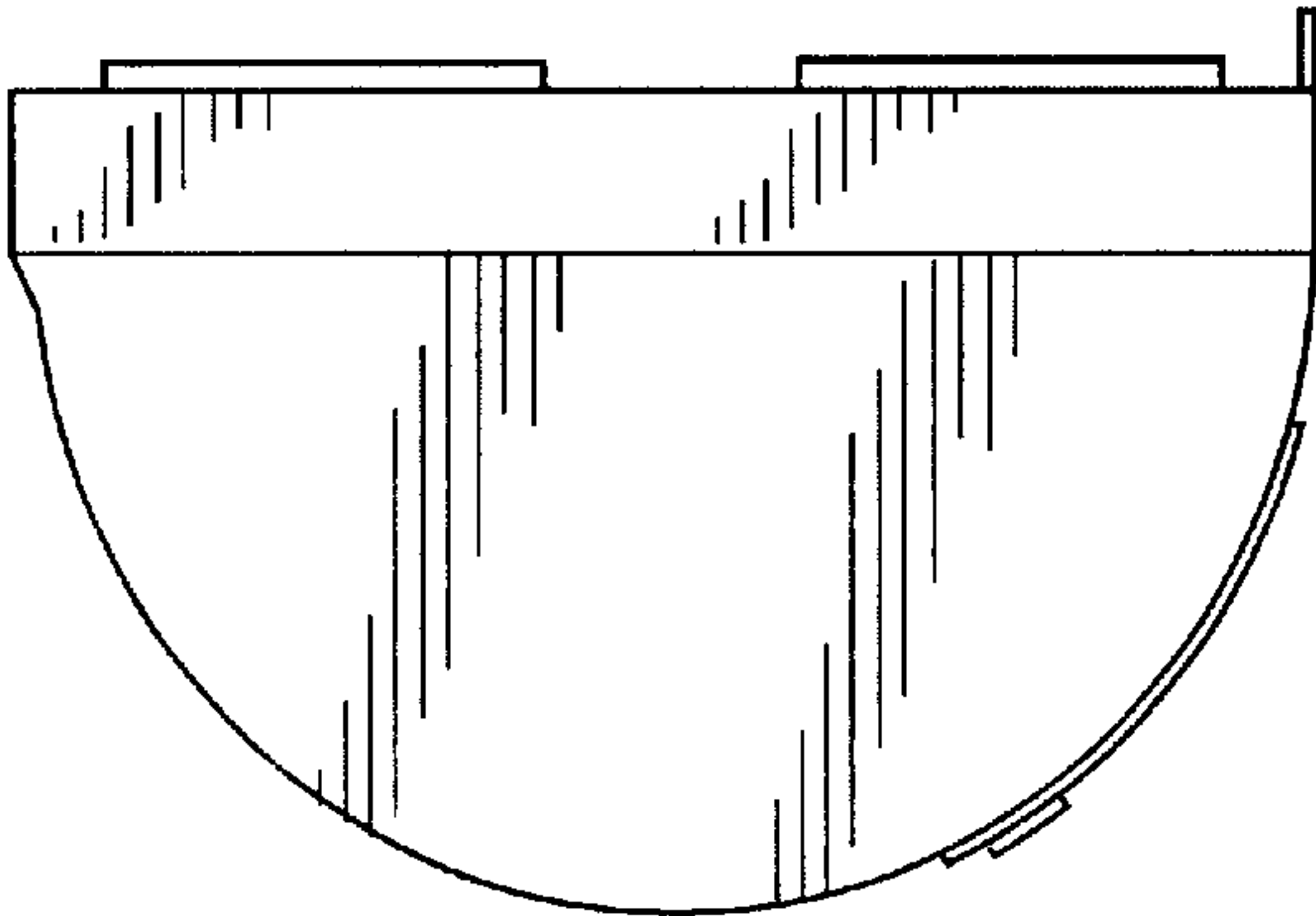


Fig. 7

Fig. 8

