



US00D507544S

(12) **United States Design Patent**  
**Wang et al.**

(10) **Patent No.: US D507,544 S**  
(45) **Date of Patent: \*\* Jul. 19, 2005**

(54) **LIGHT EMITTING DIODE PACKAGE**

(75) Inventors: **Bily Wang**, Hsin-Chu (TW); **Jonnie Chuang**, Taipei (TW)

(73) Assignee: **Harvatek Corporation**, Hsin-Chu (TW)

(\*\*) Term: **14 Years**

(21) Appl. No.: **29/180,484**

(22) Filed: **Apr. 25, 2003**

(51) **LOC (8) Cl.** ..... **13-03**

(52) **U.S. Cl.** ..... **D13/180**

(58) **Field of Search** ..... D13/180, 182;  
174/52.4; 257/99, 91, 431, 433, 666, 81;  
315/169.2, 169.3; 361/767; 362/249, 582;  
372/34; 438/124

(56) **References Cited**

**U.S. PATENT DOCUMENTS**

4,727,457	A	*	2/1988	Thillays	.....	362/582
5,369,551	A	*	11/1994	Gore et al.	.....	361/767
6,028,351	A	*	2/2000	Klonis et al.	.....	257/680
6,105,226	A	*	8/2000	Gore et al.	.....	29/25.35
6,300,674	B1	*	10/2001	Wang	.....	257/666
6,422,716	B2	*	7/2002	Henrici et al.	.....	362/249
D476,959	S	*	7/2003	Yamada et al.	.....	D13/182

D499,075 S \* 11/2004 Yoon et al. .... D13/180

\* cited by examiner

*Primary Examiner*—Stella Reid

*Assistant Examiner*—Selina Sikder

(74) *Attorney, Agent, or Firm*—Rosenberg, Klein & Lee

(57) **CLAIM**

The ornamental design for a light emitting diode package, as shown and described.

**DESCRIPTION**

FIG. 1 is a top perspective view of the metal plates of the light emitting diode package, shown separately for ease of illustration;

FIG. 2 is a bottom perspective view of the metal plates of the light emitting diode package, shown separately for ease of illustration;

FIG. 3 is a top plan view of an alternate embodiment of the light emitting diode package showing a LED chip;

FIG. 4 is a rear perspective view of the light emitting diode wherein the metal plates are encapsulated;

FIG. 5 is a top plan view thereof;

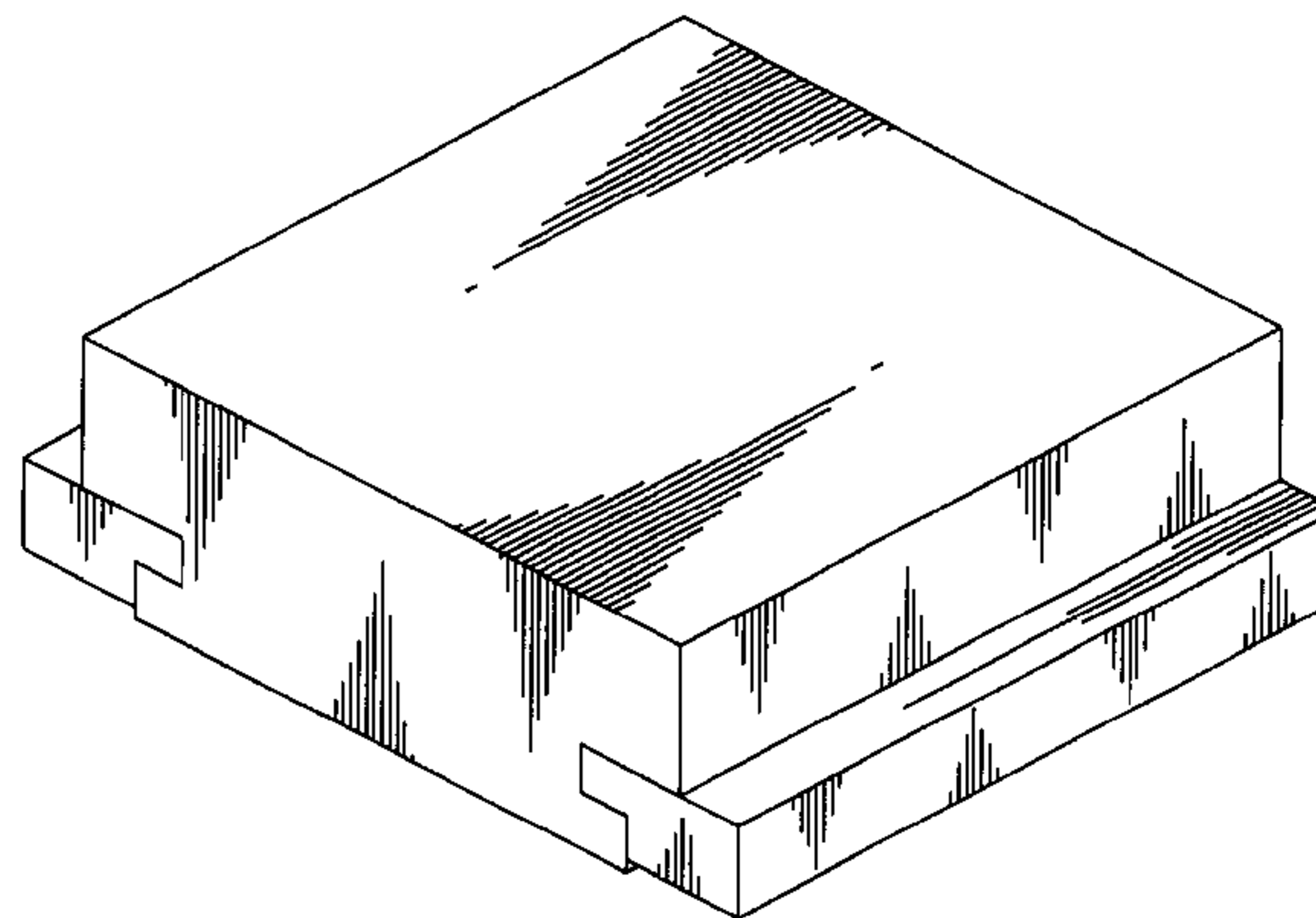
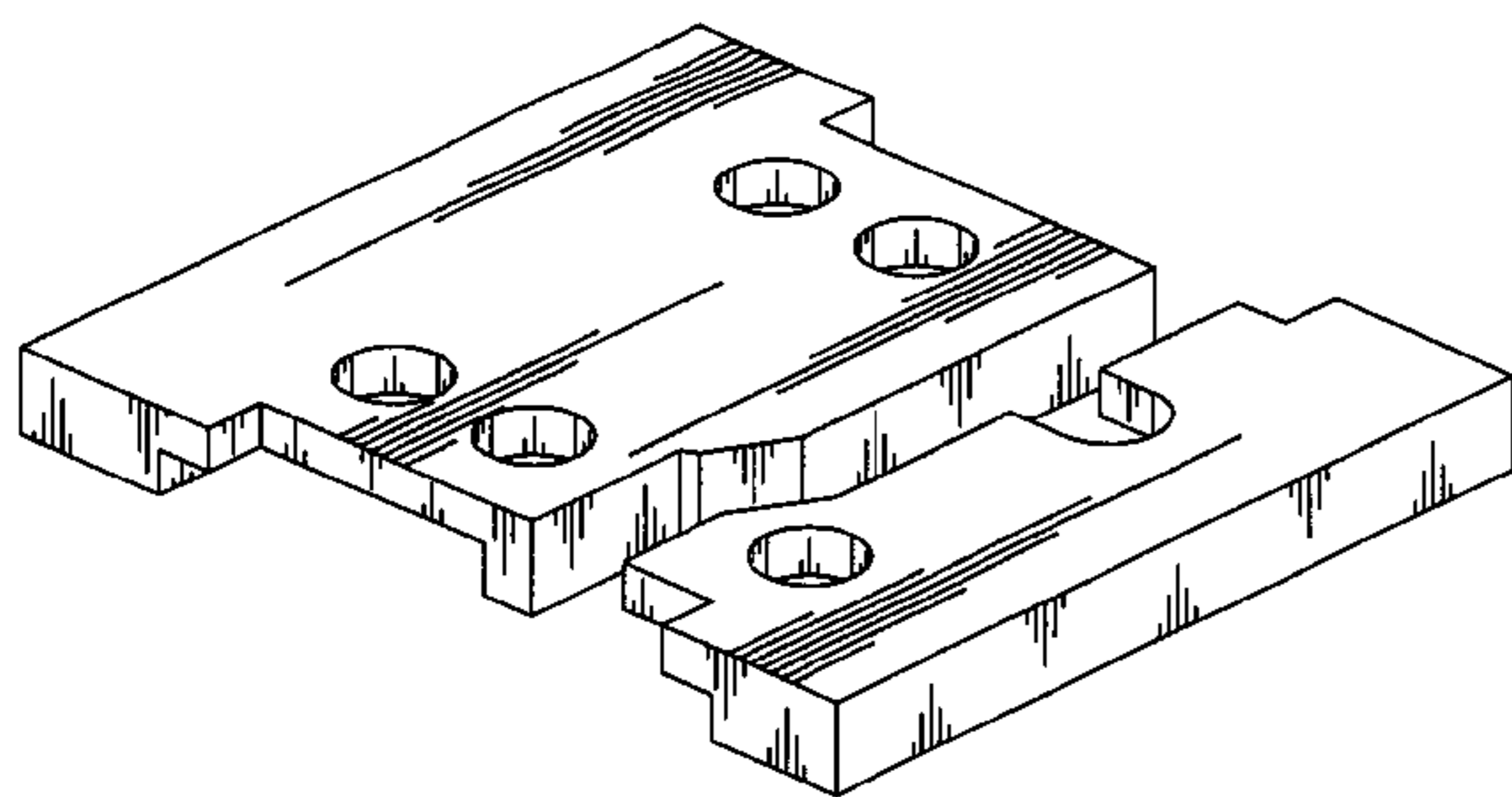
FIG. 6 is a bottom plan view thereof;

FIG. 7 is a left side elevation view thereof;

FIG. 8 is a right side elevation view thereof; and,

FIG. 9 is a front perspective view thereof.

**1 Claim, 5 Drawing Sheets**



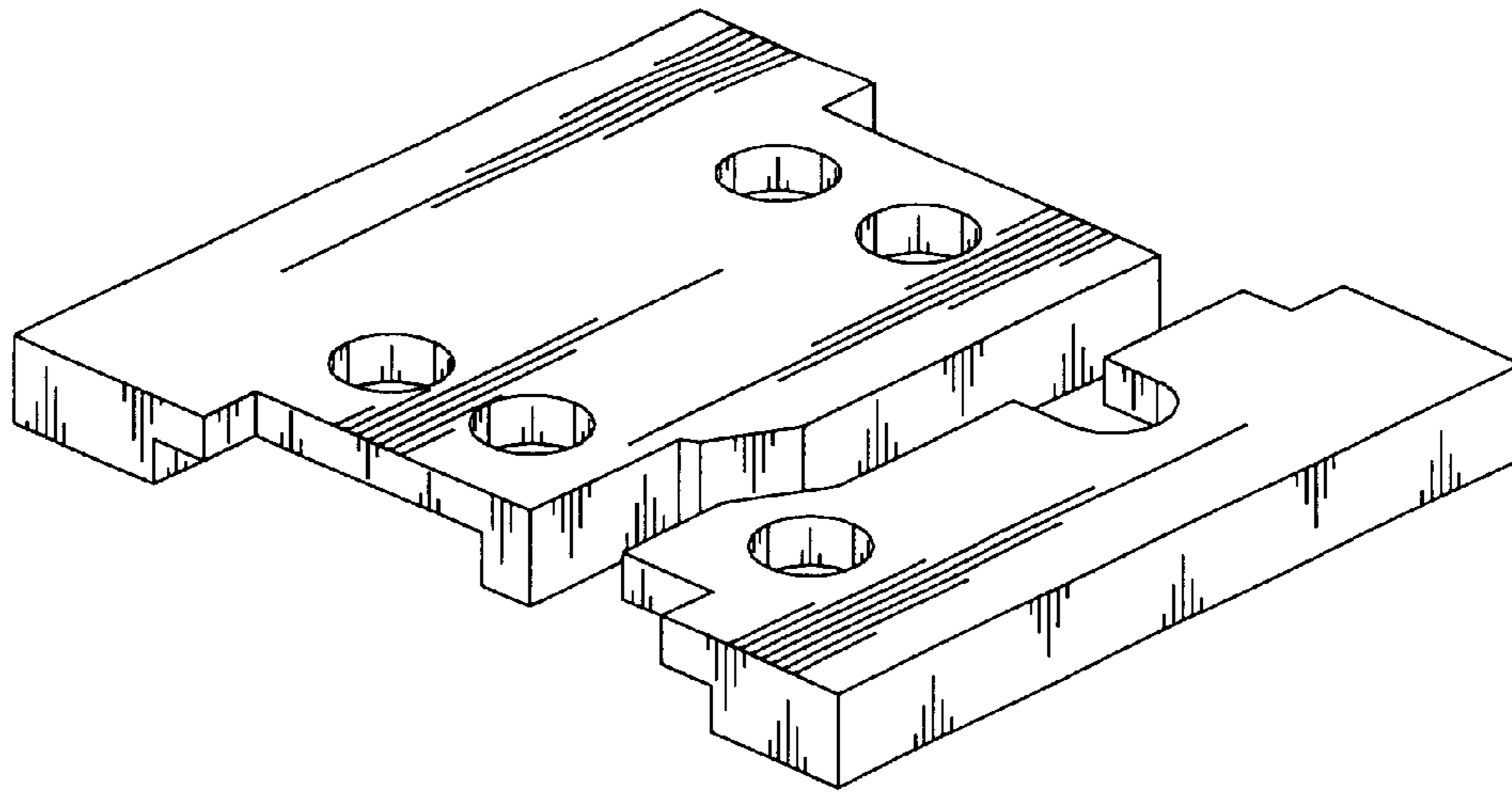


FIG 1

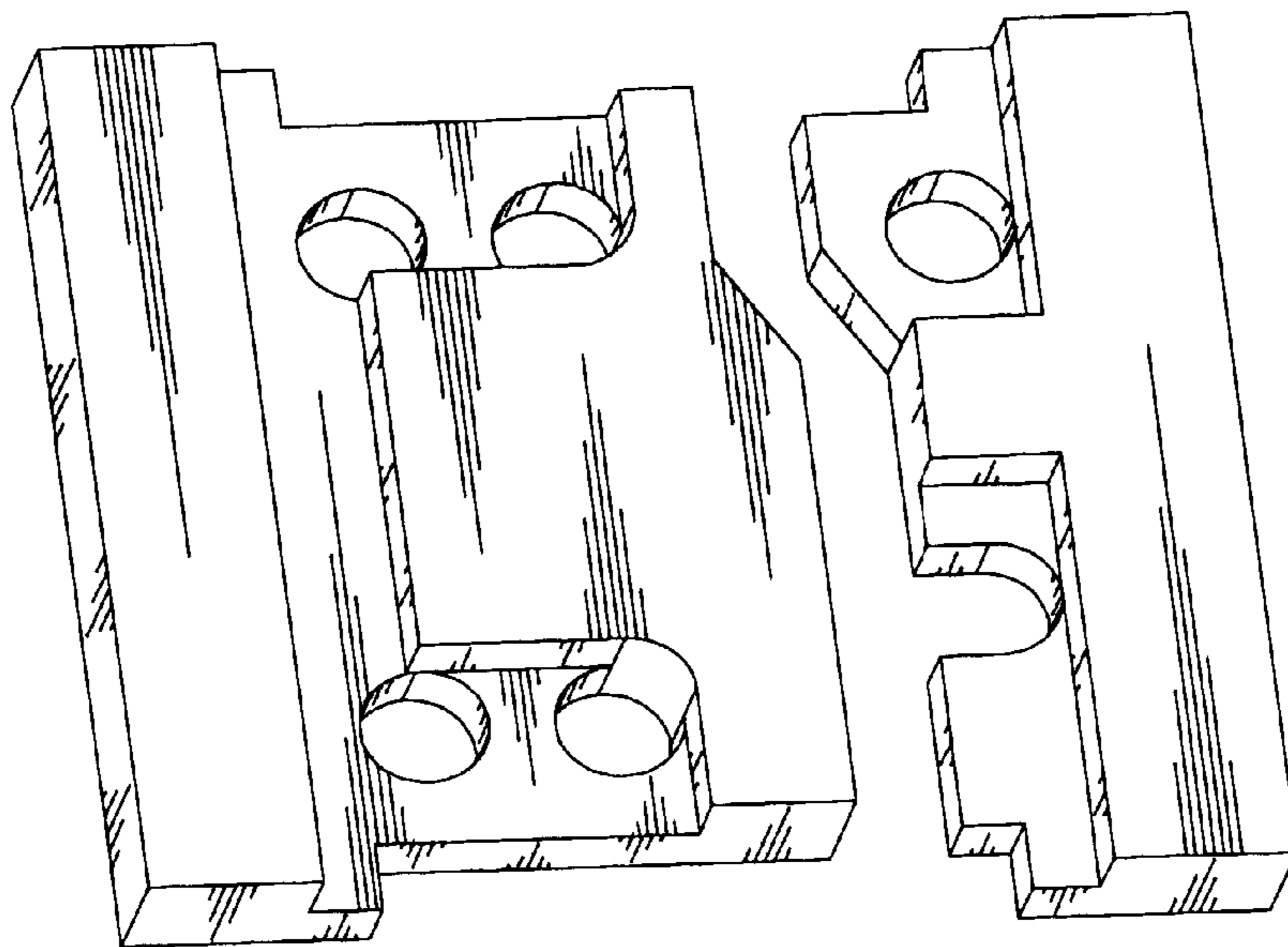


FIG 2

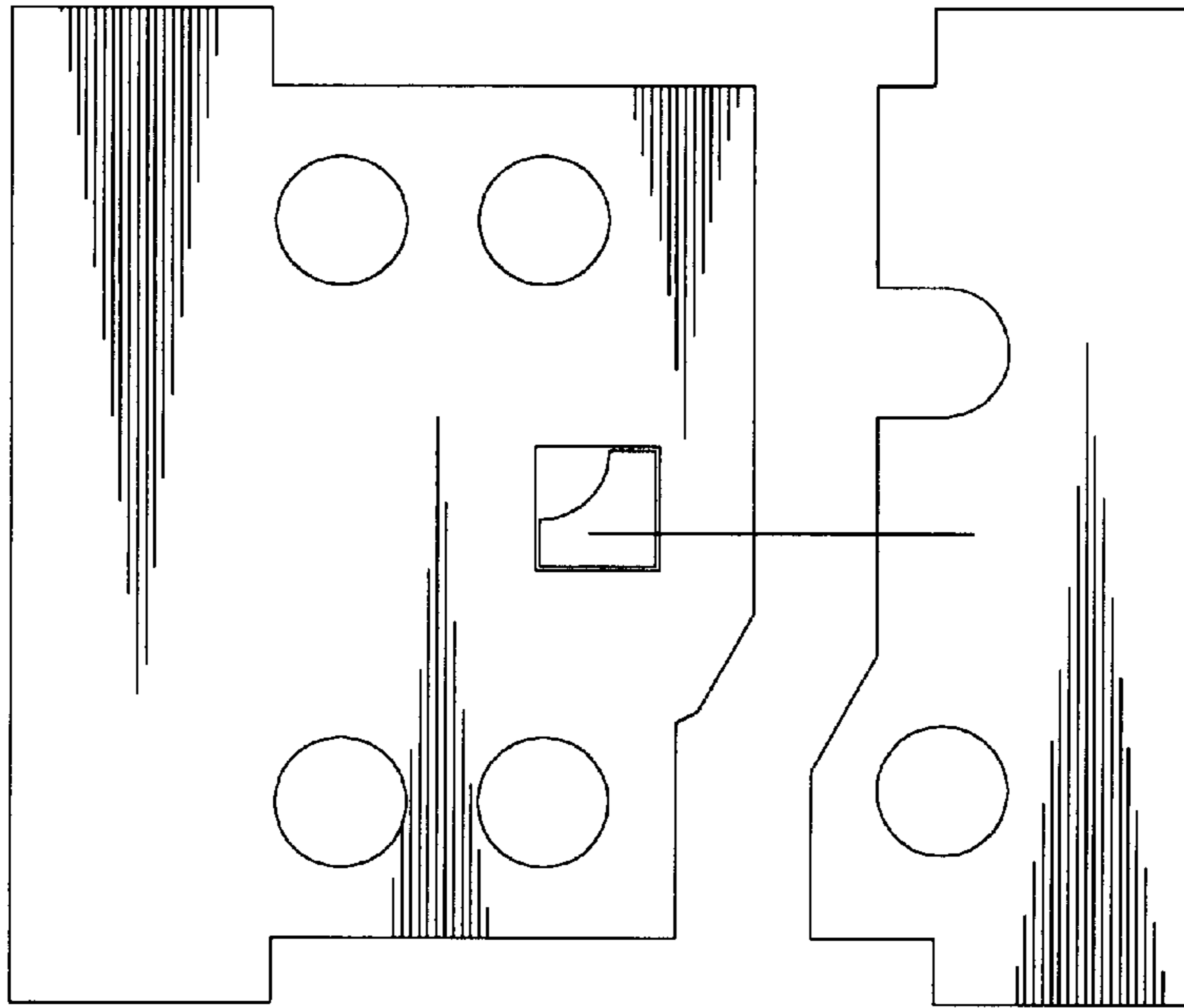


FIG 3

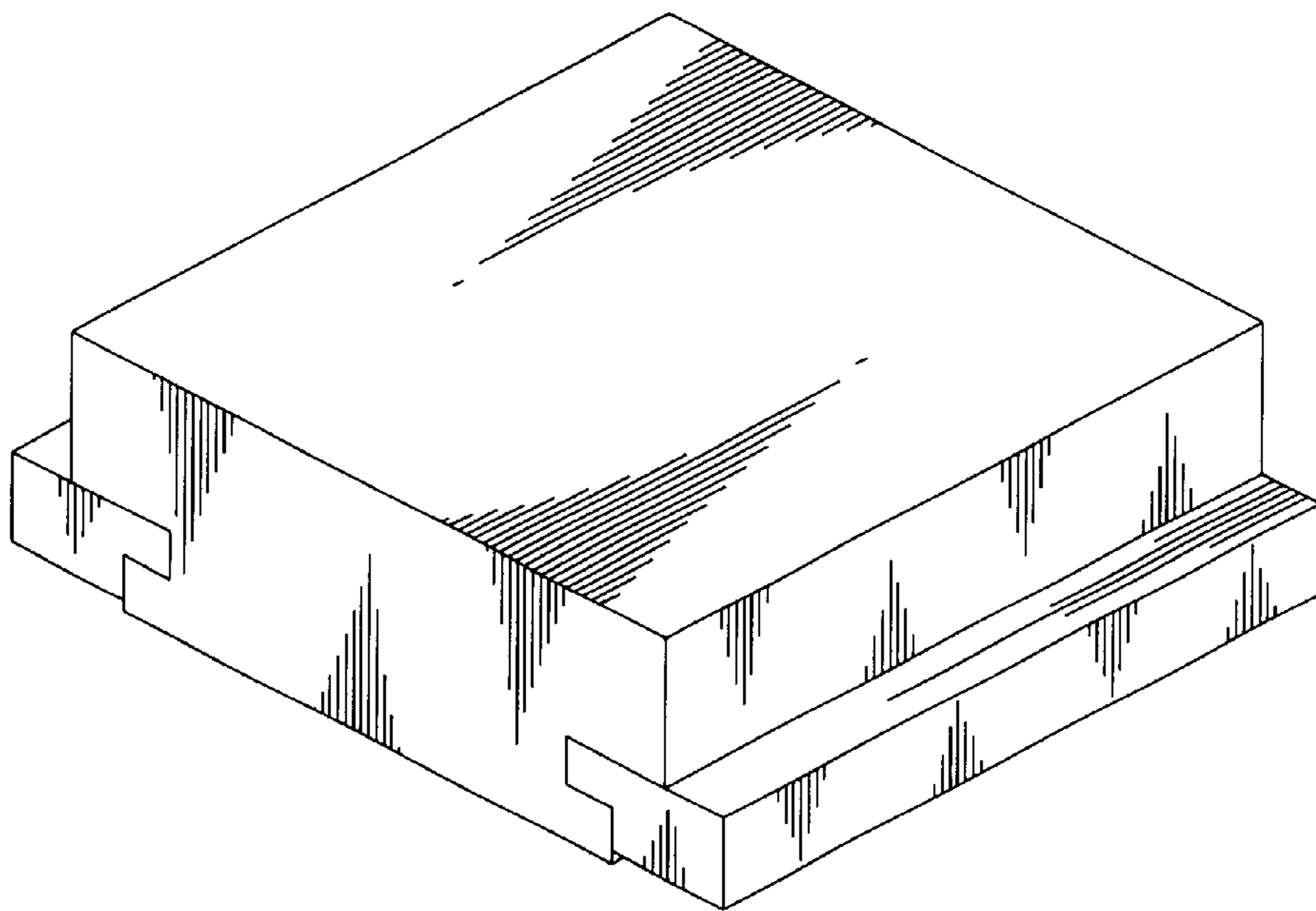


FIG 4

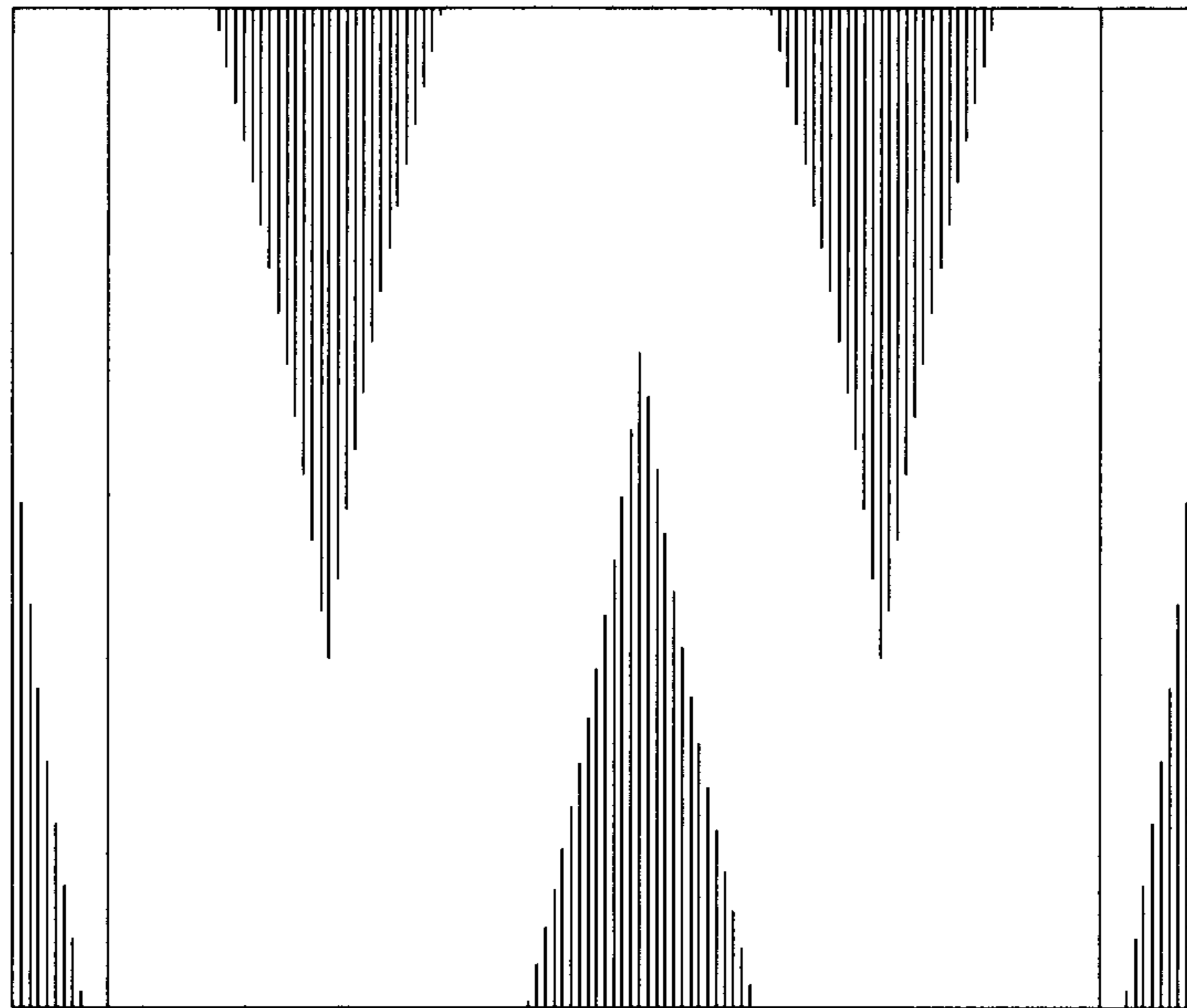


FIG 5

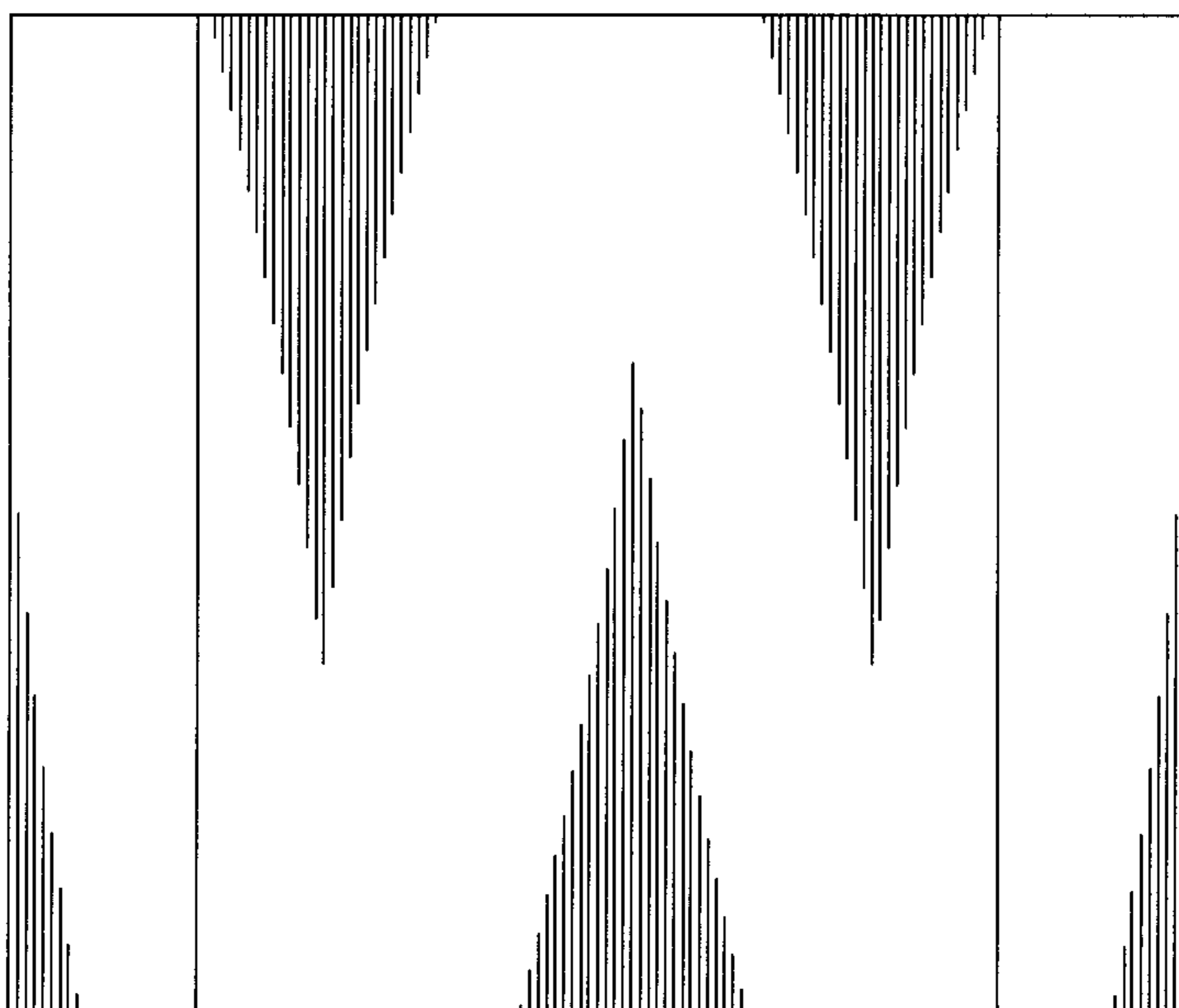


FIG 6

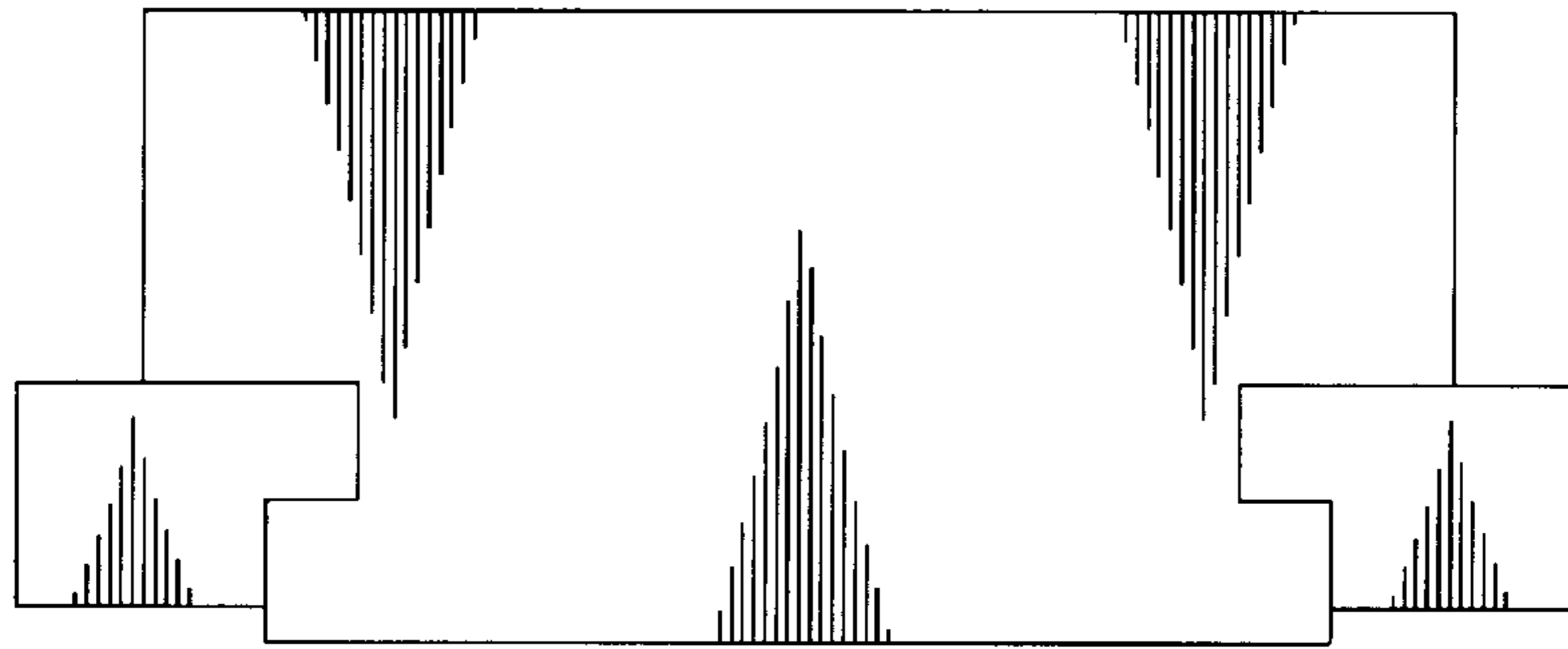


FIG 7

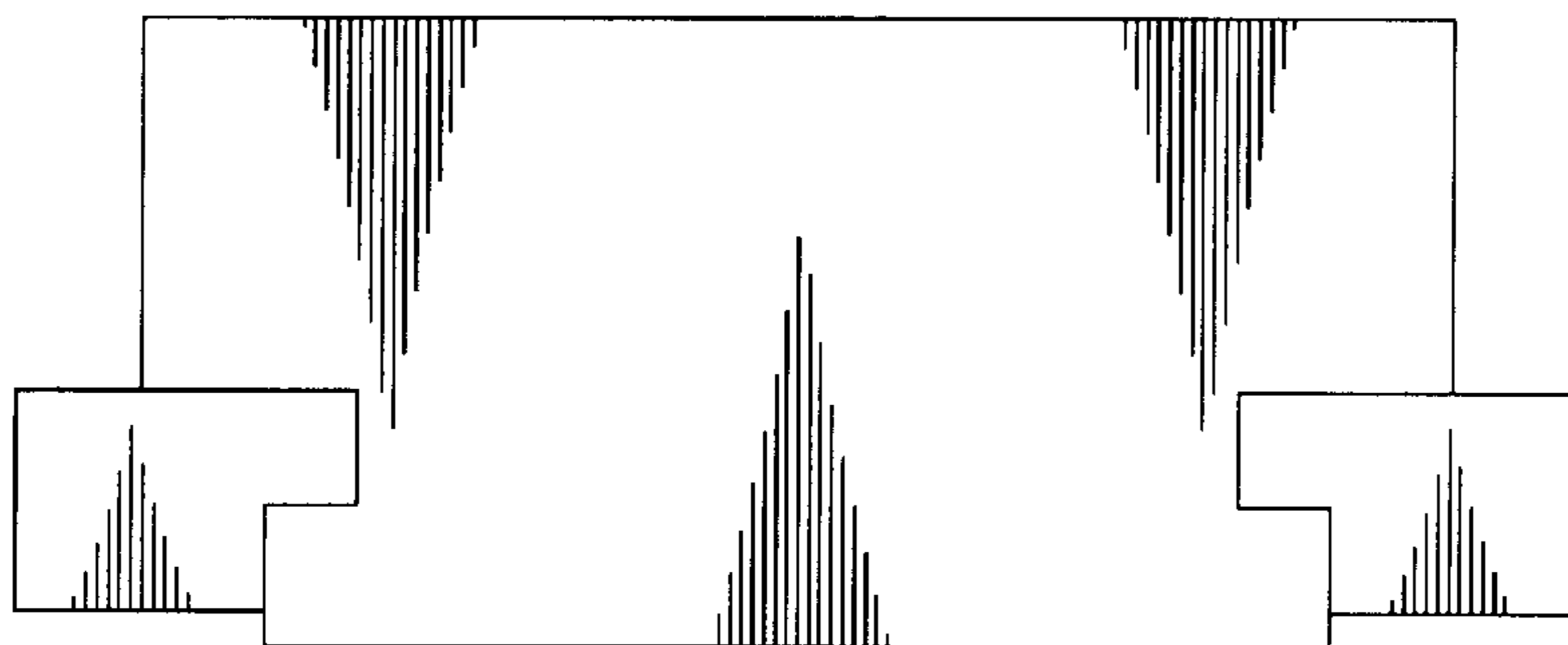


FIG 8

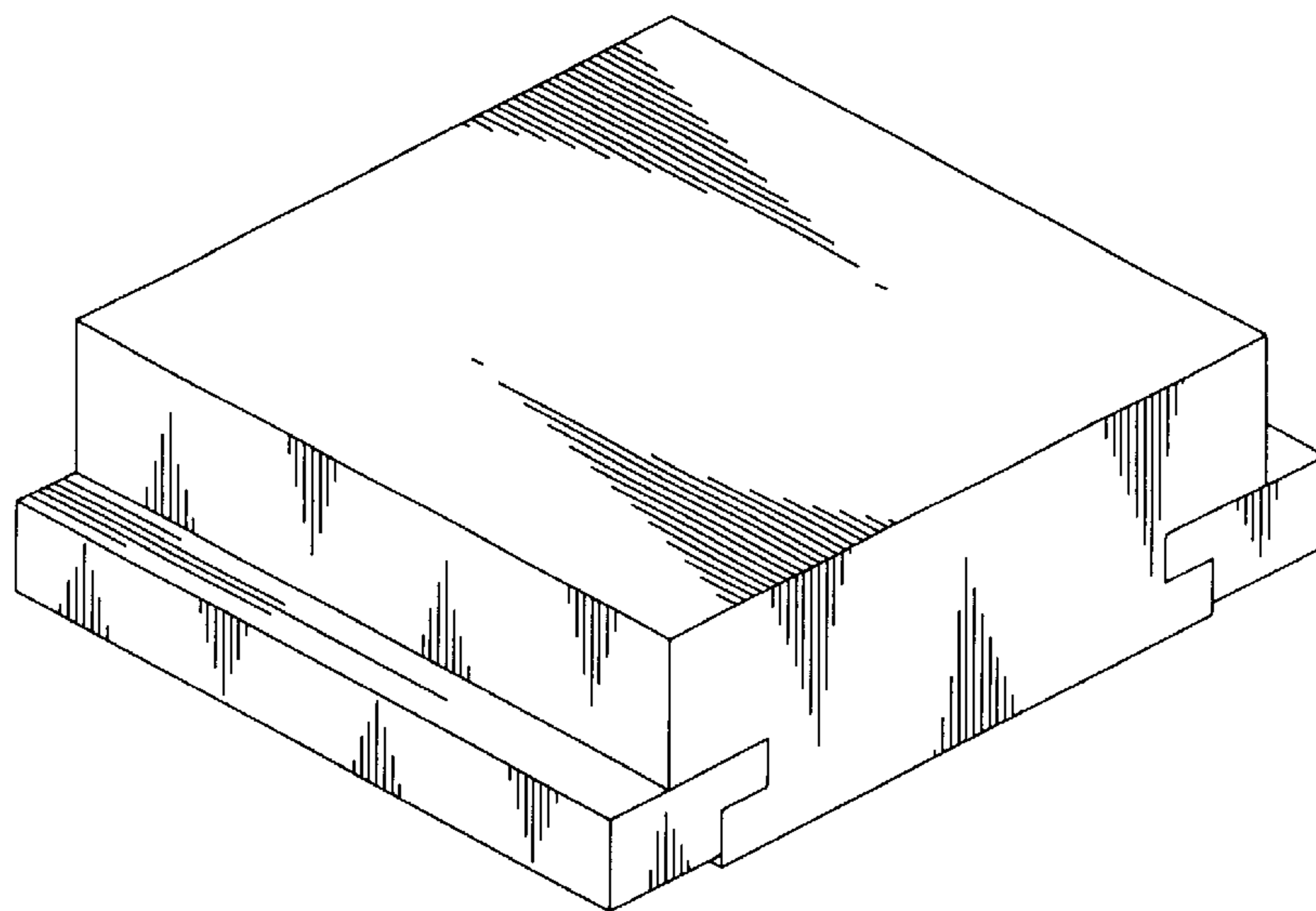


FIG 9