

US00D507543S

(12) **United States Design Patent**
Ishii et al.

(10) **Patent No.: US D507,543 S**
(45) **Date of Patent: ** Jul. 19, 2005**

(54) **PUSH BUTTON SWITCH**

(75) Inventors: **Takashi Ishii, Osaka (JP); Masashi Fujimoto, Osaka (JP)**

(73) Assignee: **IDEC Izumi Corporation, Osaka (JP)**

(**) Term: **14 Years**

(21) Appl. No.: **29/185,268**

(22) Filed: **Jun. 26, 2003**

(30) **Foreign Application Priority Data**

Dec. 27, 2002 (JP) 2002-036696

(51) **LOC (8) Cl. 13-03**

(52) **U.S. Cl. D13/174**

(58) **Field of Search** D13/169, 170,
D13/171, 174; 200/5 A, 5 R, 16 R, 237,
241, 293, 296, 297, 308, 310, 313, 314,
324, 329, 331, 341, 519, 547, 571

(56) **References Cited**

U.S. PATENT DOCUMENTS

D278,141 S * 3/1985 Steidel D13/169
5,077,454 A * 12/1991 Lorenzo 200/573
D344,930 S * 3/1994 Schaeffer D13/171

D349,101 S * 7/1994 Schaeffer D13/174
D437,835 S * 2/2001 Decosse D13/174
D442,921 S * 5/2001 Bonn D13/174
D469,411 S * 1/2003 Decosse D13/174
6,518,529 B2 * 2/2003 Bonn et al. 200/520

* cited by examiner

Primary Examiner—Stella Reid
Assistant Examiner—Selina Sikder

(74) *Attorney, Agent, or Firm*—Armstrong, Kratz, Quintos,
Hanson & Brooks, LLP

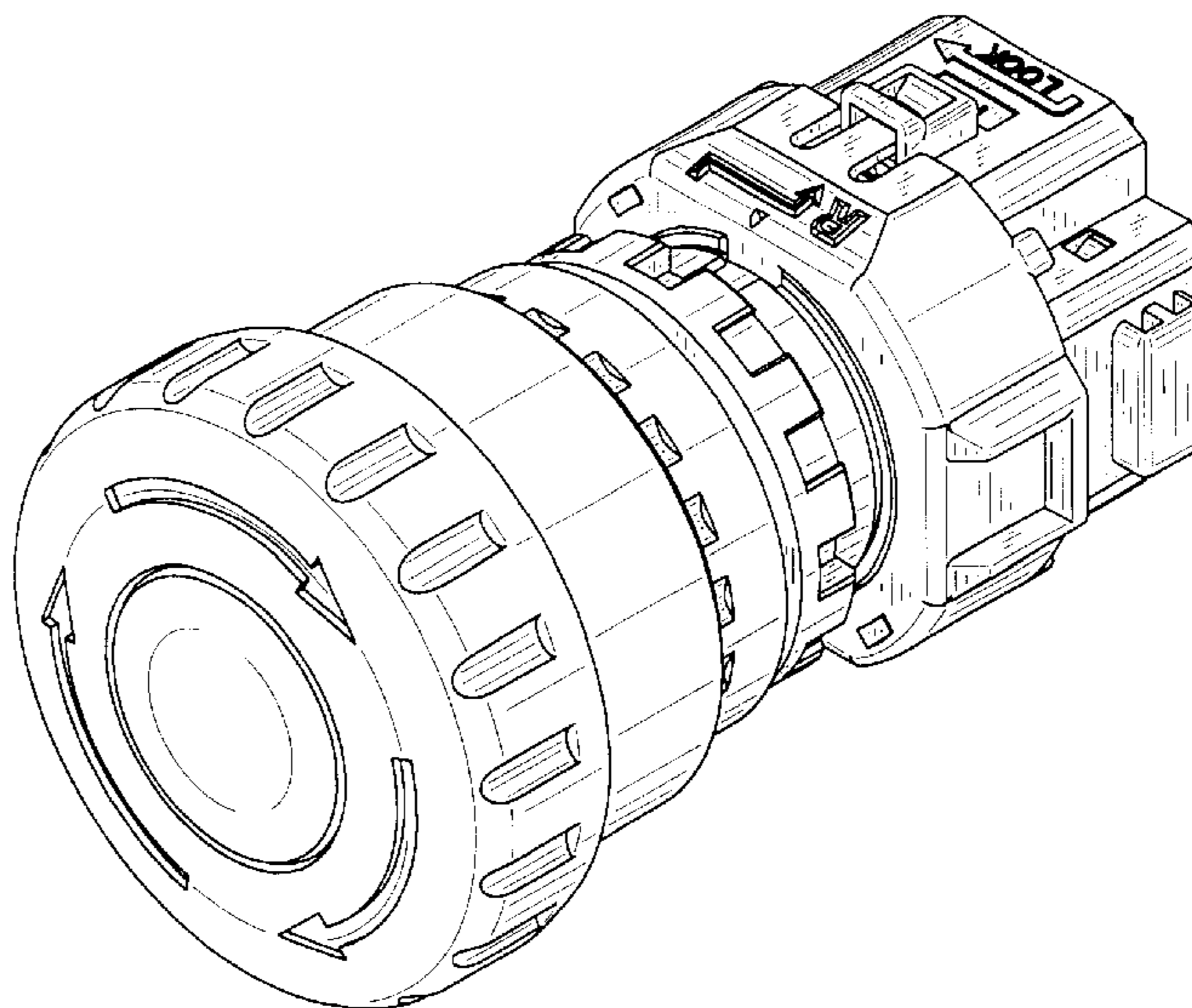
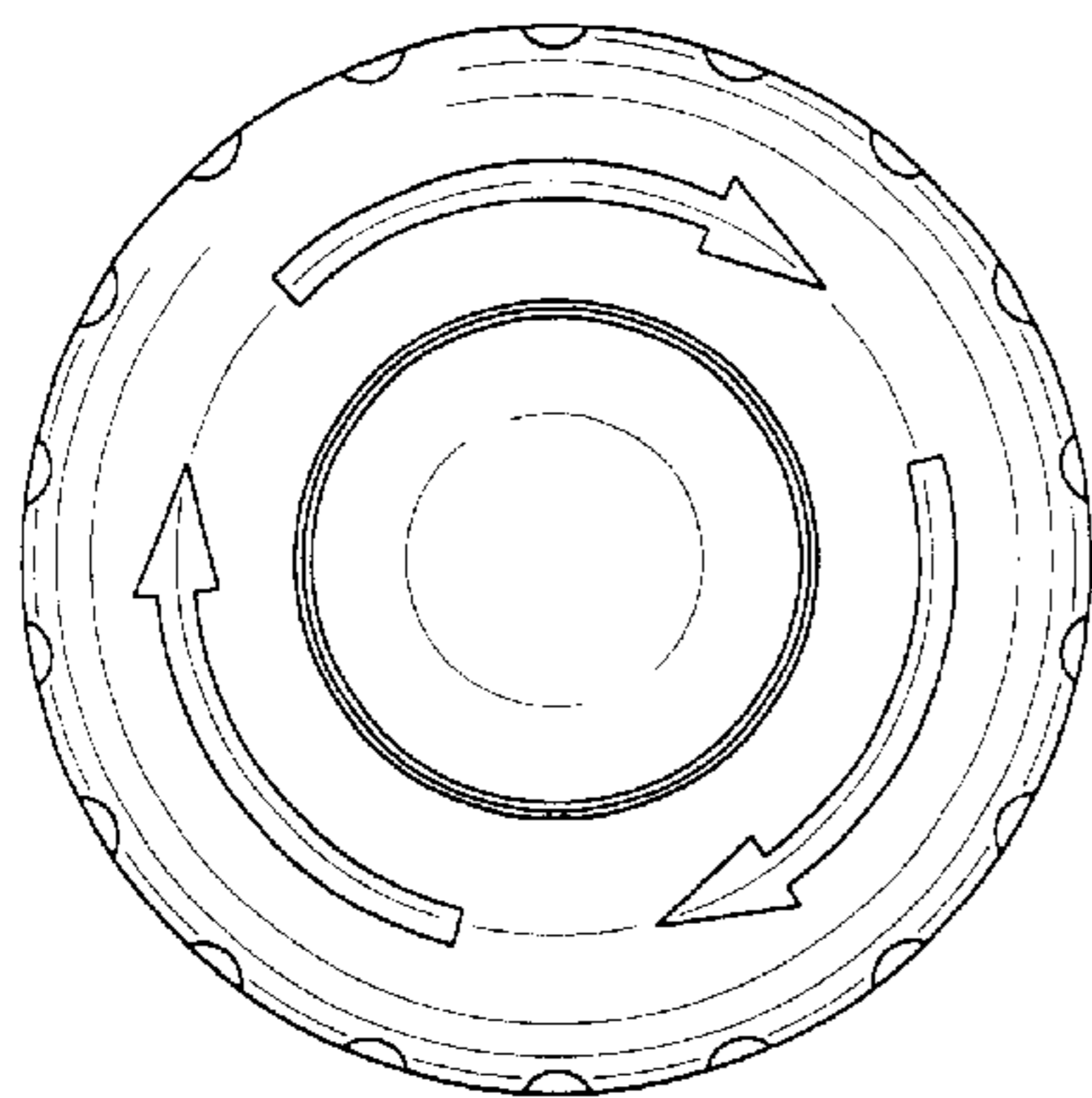
(57) **CLAIM**

The ornamental design for a push button switch, as shown and described.

DESCRIPTION

FIG. 1 is a front view of the push button switch showing our new design;
FIG. 2 is a rear view thereof;
FIG. 3 is a top plan view thereof;
FIG. 4 is a bottom plan view thereof;
FIG. 5 is a right side view thereof;
FIG. 6 is a left side view thereof; and,
FIG. 7 is a perspective view thereof.

1 Claim, 4 Drawing Sheets



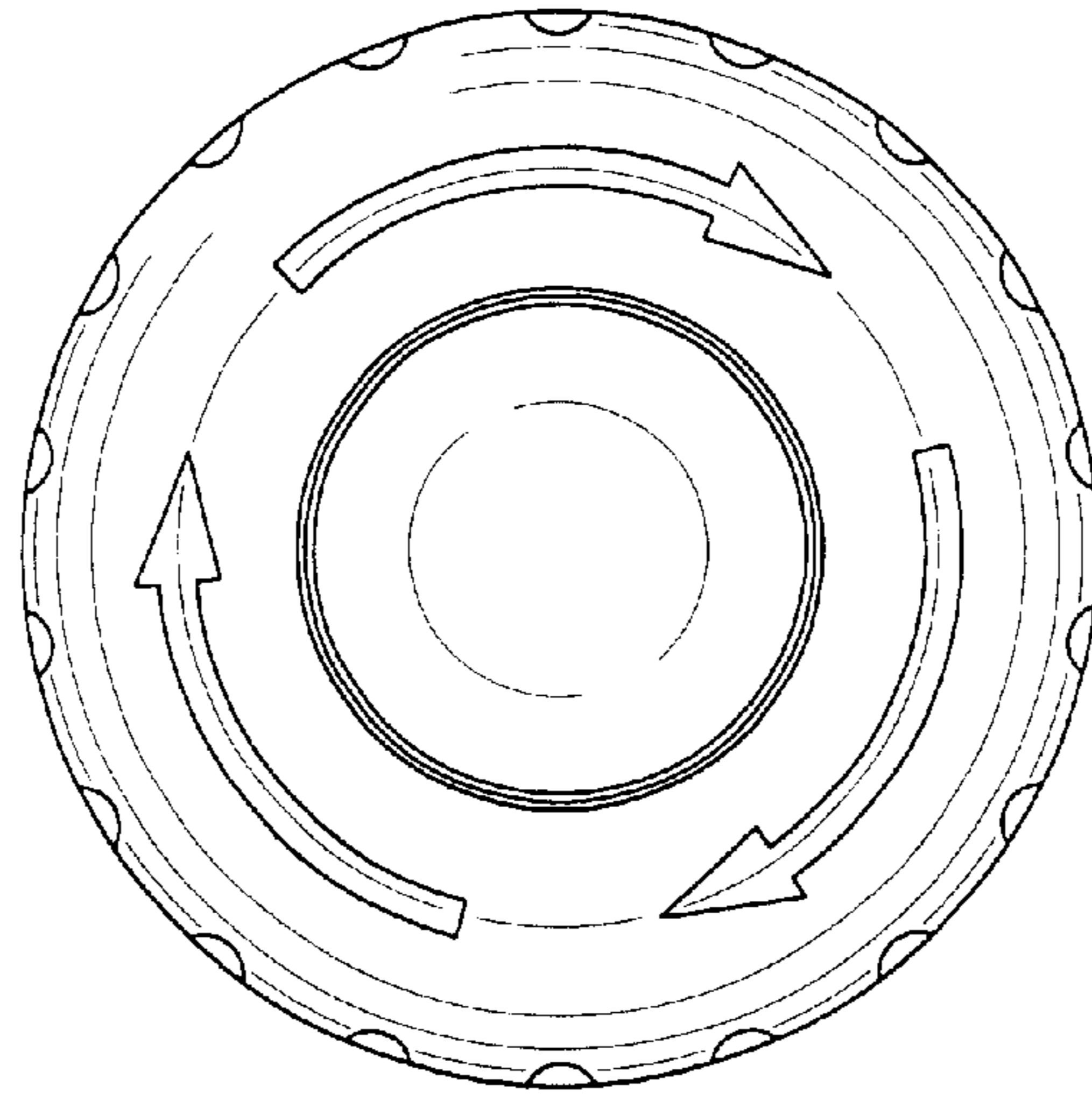


Fig. 1

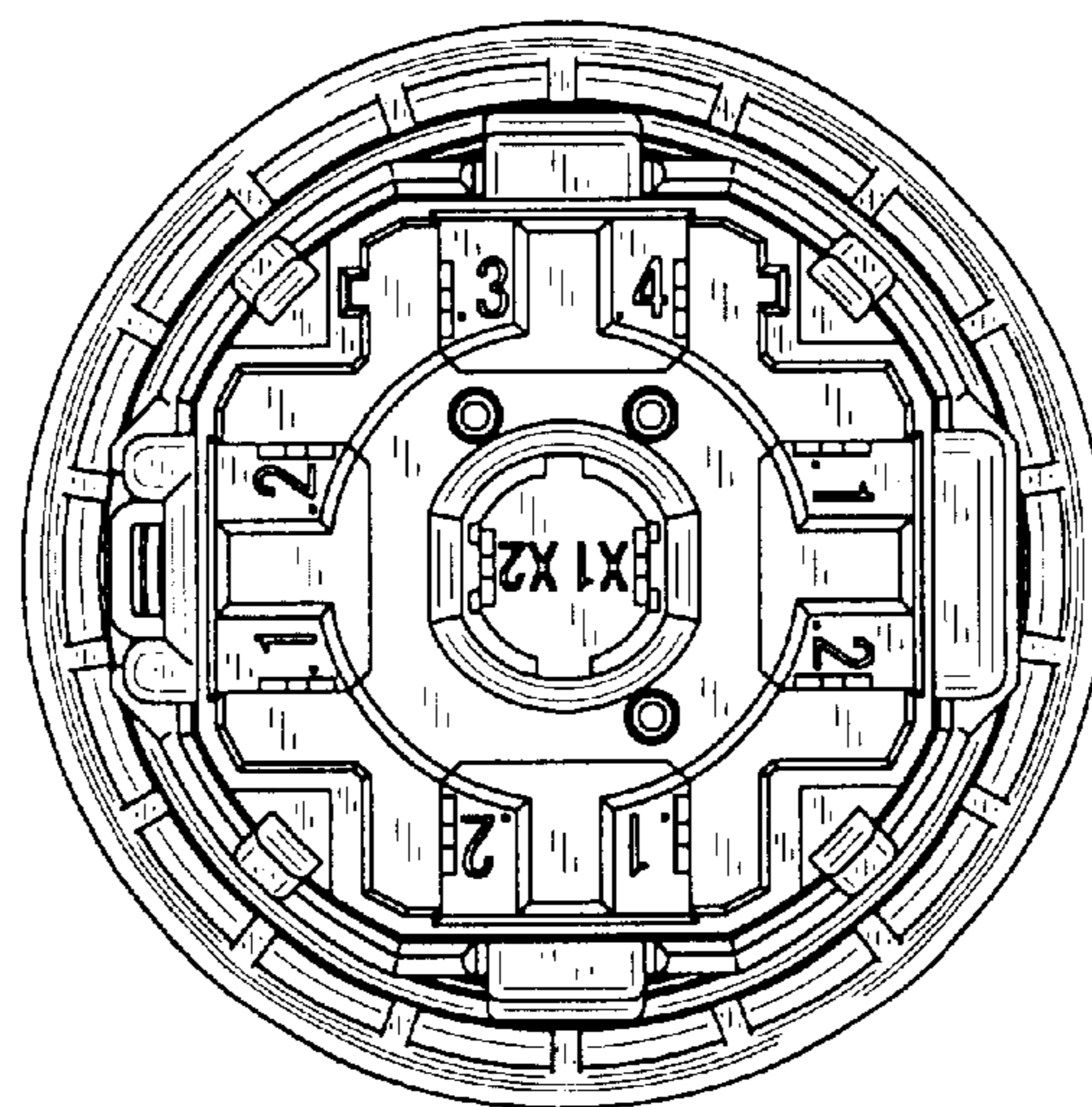


Fig. 2

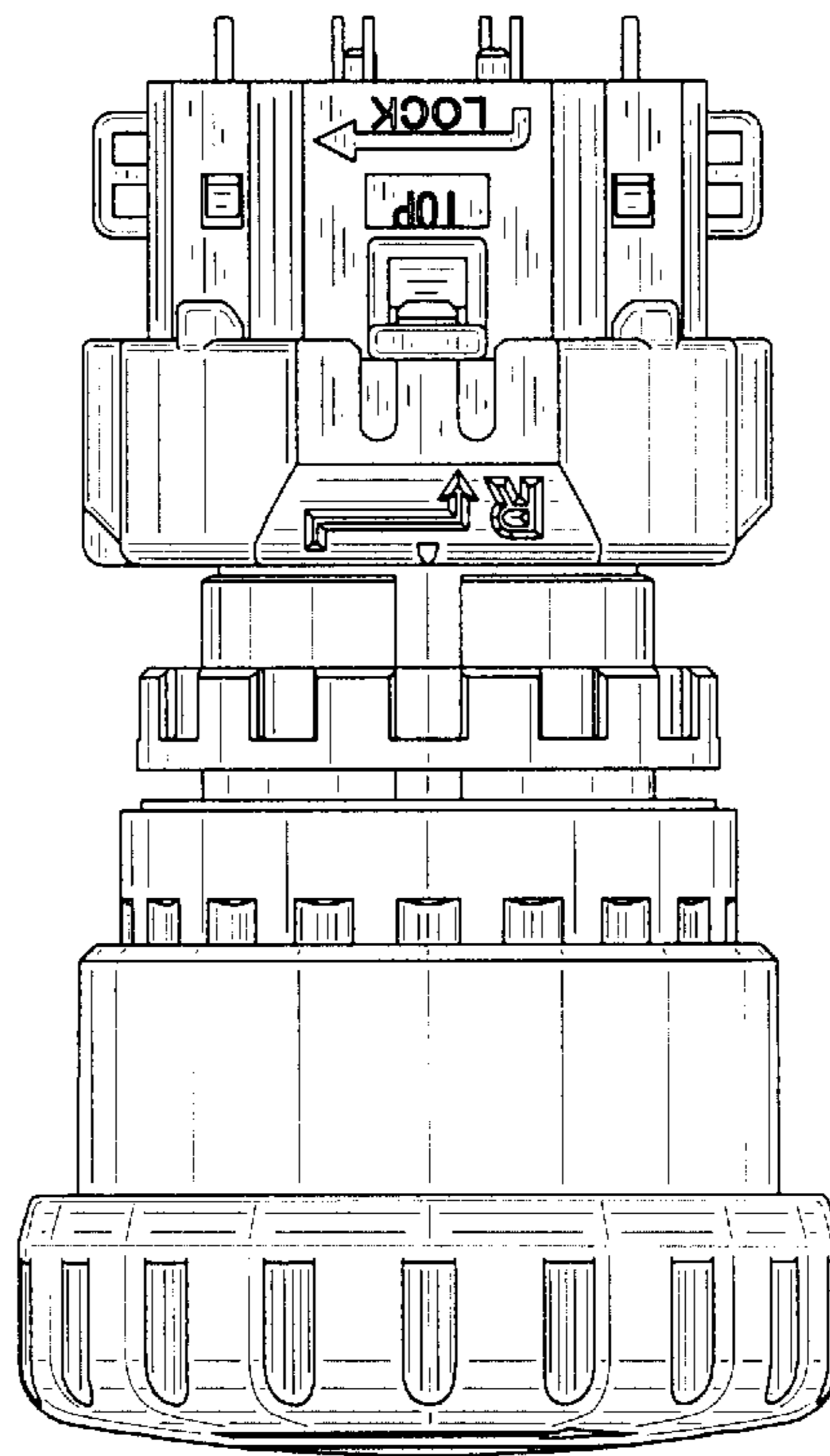


Fig. 3

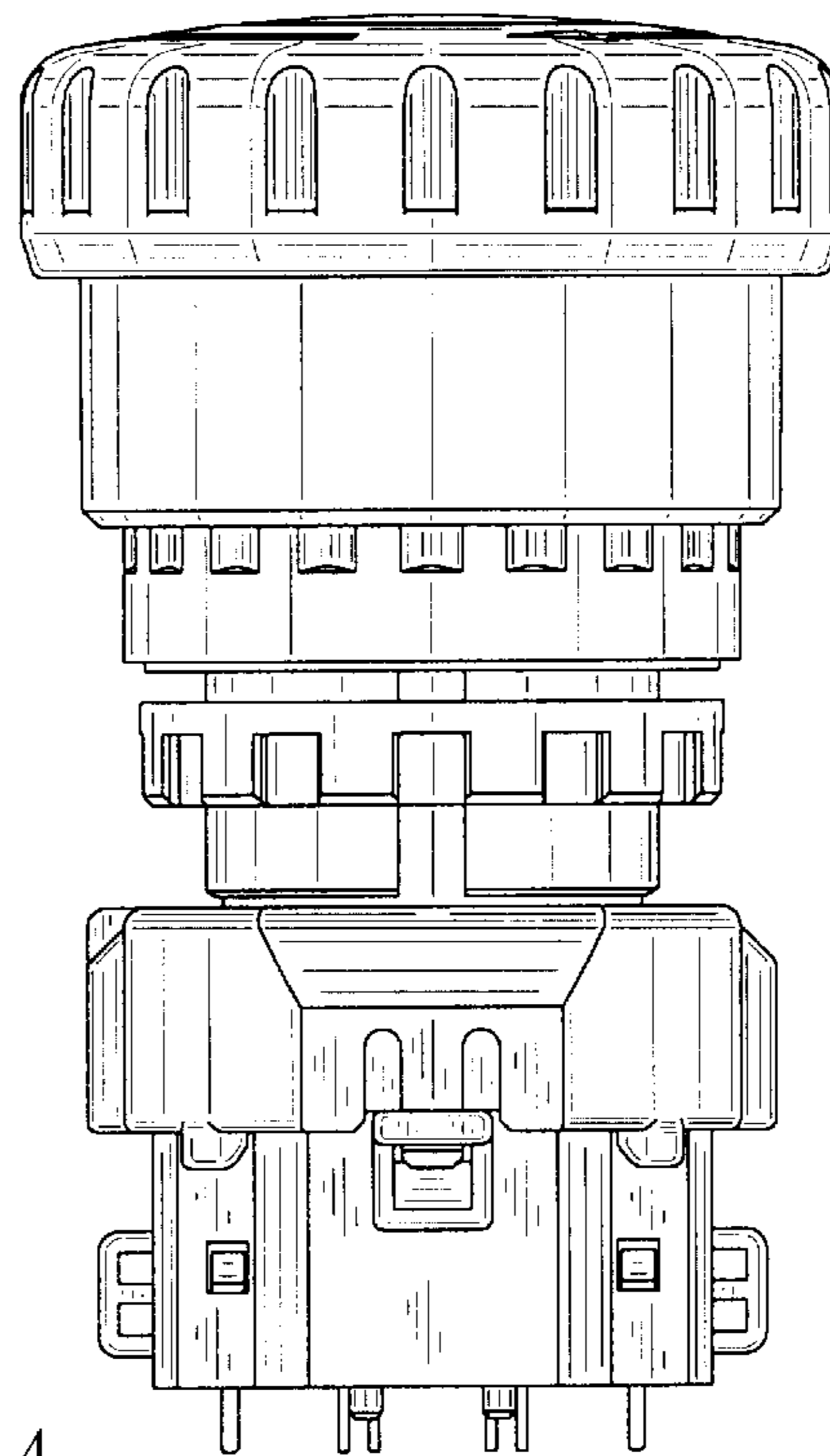


Fig. 4

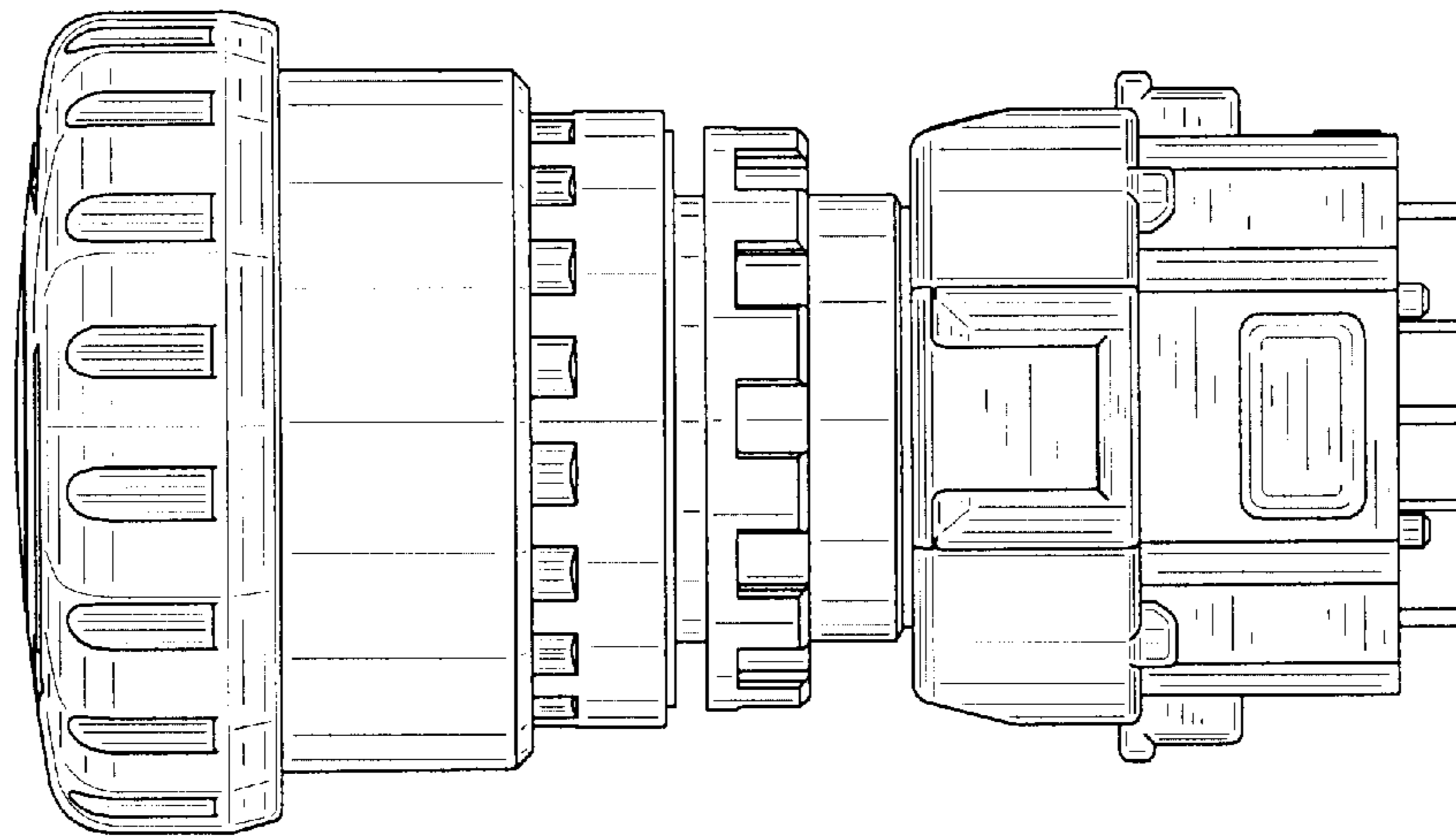


Fig. 5

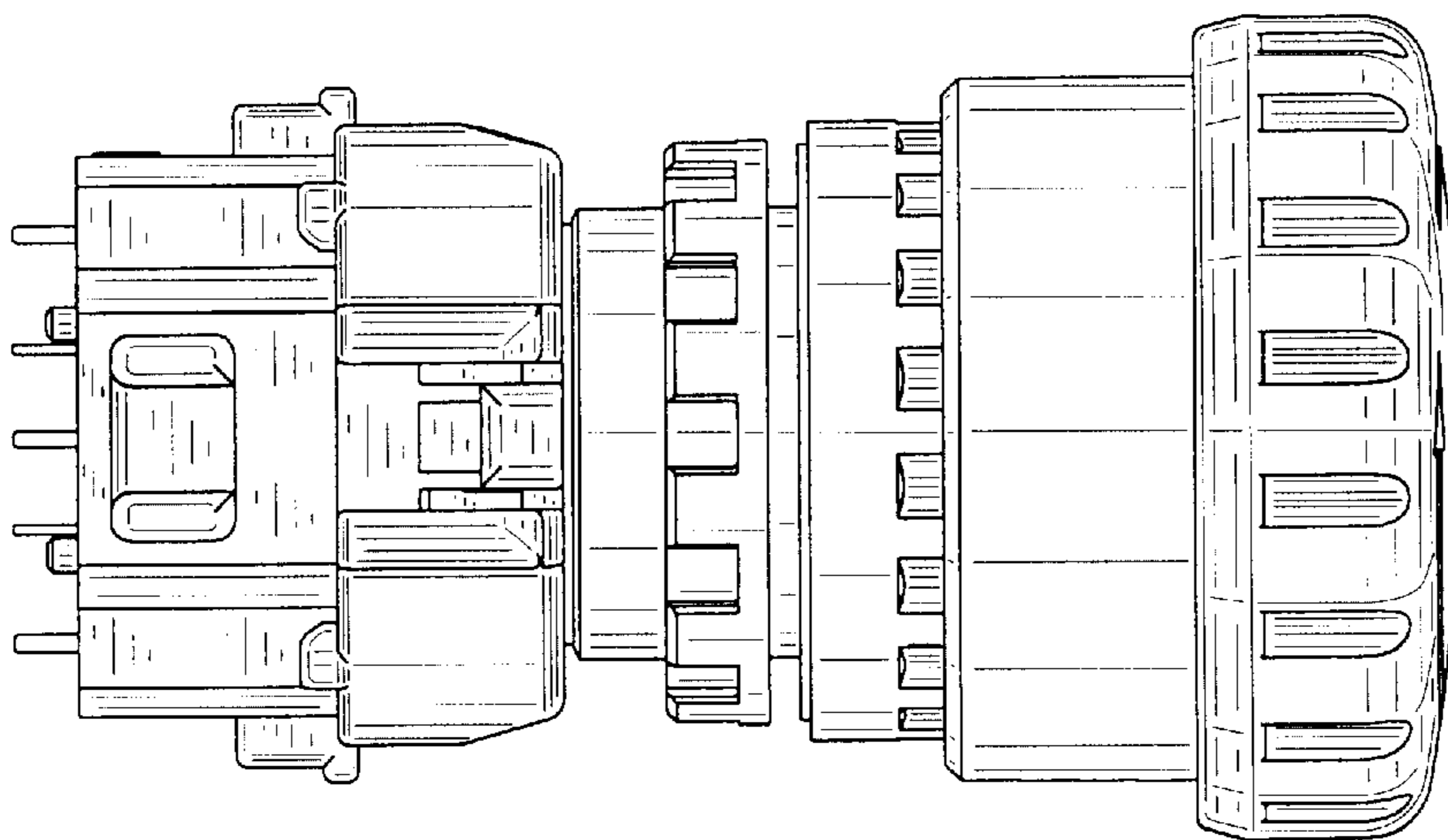


Fig. 6

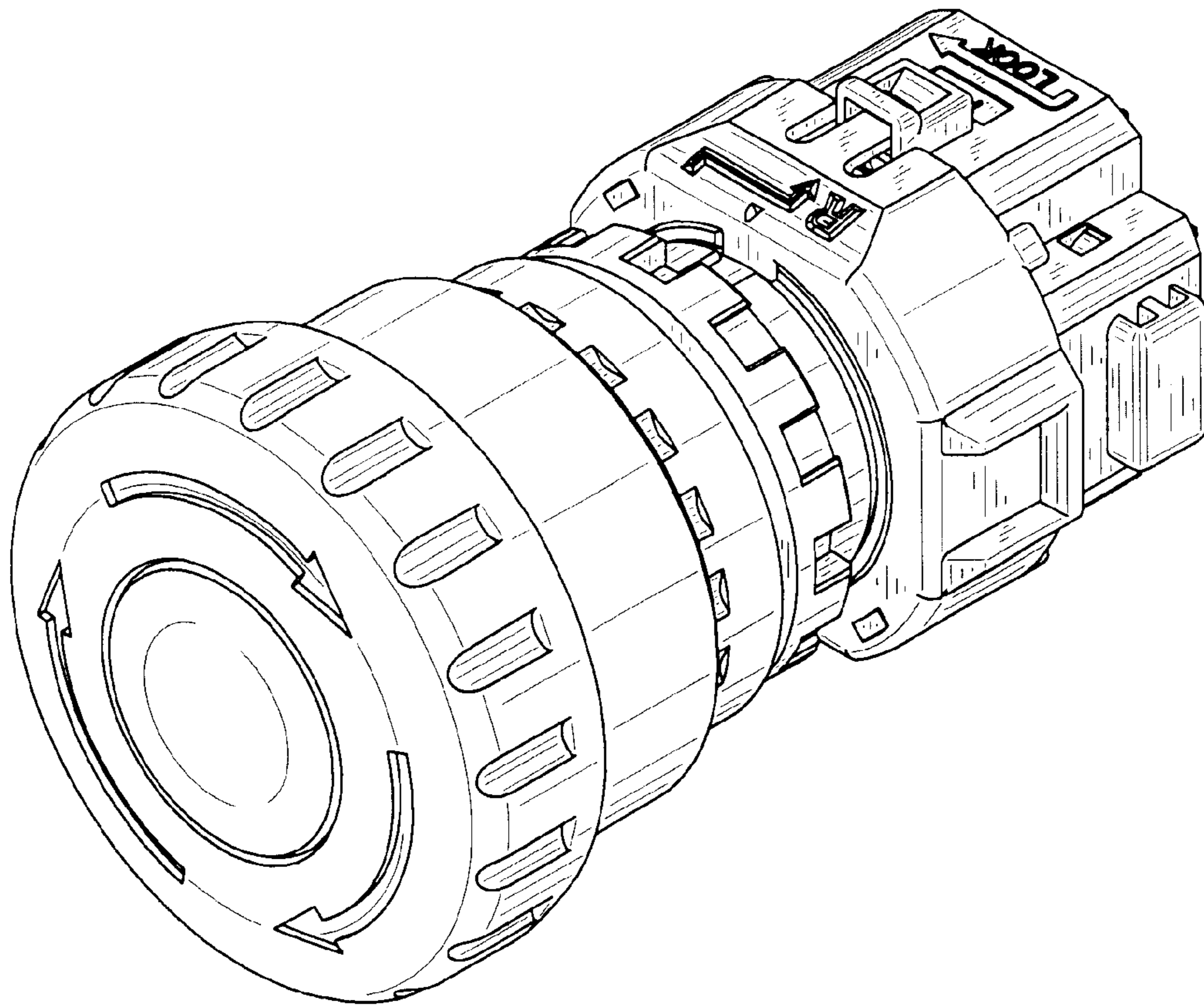


Fig. 7