



US00D507542S

(12) **United States Design Patent**  
**Chiang**

(10) **Patent No.:** **US D507,542 S**  
(45) **Date of Patent:** **\*\* Jul. 19, 2005**

(54) **PROGRAMMABLE LOGIC CONTROL  
PANEL**

(75) Inventor: **Thomas Chiang**, Taipei (TW)  
(73) Assignee: **Delta Electronics, Inc.**, Taoyuan Hsien  
(TW)  
(\*\*) Term: **14 Years**

(21) Appl. No.: **29/175,742**  
(22) Filed: **Feb. 11, 2003**

(51) **LOC (8) Cl.** ..... **13-03**  
(52) **U.S. Cl.** ..... **D13/162.1**  
(58) **Field of Search** ..... D13/162, 162.1;  
361/686, 729, 752; 700/12

(56) **References Cited**

**U.S. PATENT DOCUMENTS**

D290,694 S \* 7/1987 Shimizu et al. .... D13/162.1  
D307,577 S \* 5/1990 Abe et al. .... D13/162.1  
D341,354 S \* 11/1993 Holterman ..... D13/162.1  
D368,252 S \* 3/1996 Nakai ..... D13/162.1  
6,418,027 B1 \* 7/2002 Suzuki et al. .... 361/729

6,594,529 B1 \* 7/2003 Boggs et al. .... 700/12

\* cited by examiner

*Primary Examiner*—Stella Reid  
*Assistant Examiner*—Selina Sikder  
(74) *Attorney, Agent, or Firm*—Birch, Stewart, Kolasch &  
Birch, LLP

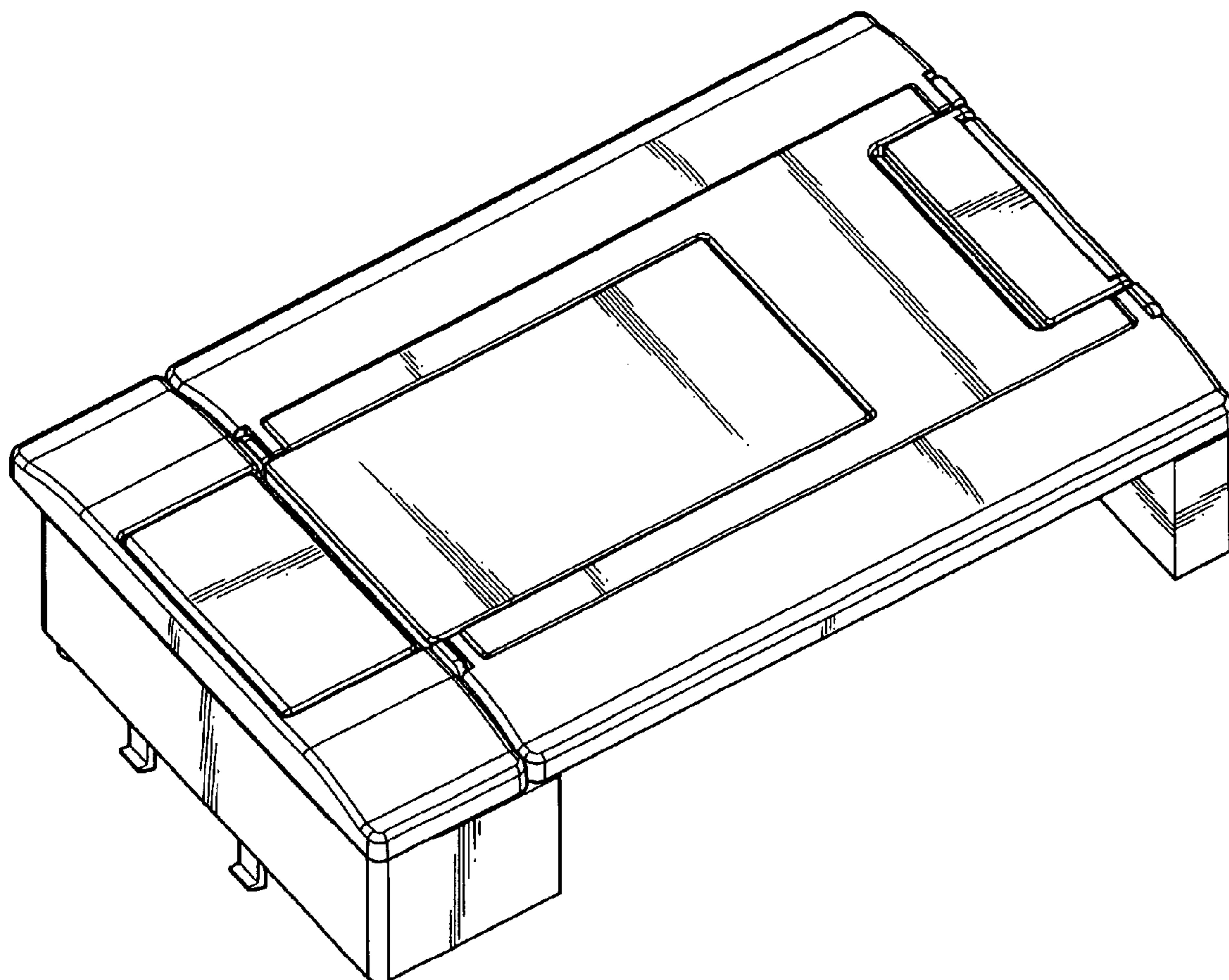
(57) **CLAIM**

The ornamental design for a programmable logic control panel, as shown and described.

**DESCRIPTION**

FIG. 1 is a perspective view of a programmable logic control panel showing my new design;  
FIG. 2 is a right side elevational view thereof;  
FIG. 3 is a left side view thereof, the right side view being a mirror image thereof;  
FIG. 4 is a front view thereof;  
FIG. 5 is a rear view thereof;  
FIG. 6 is a top view thereof; and,  
FIG. 7 is a bottom view thereof.

**1 Claim, 7 Drawing Sheets**



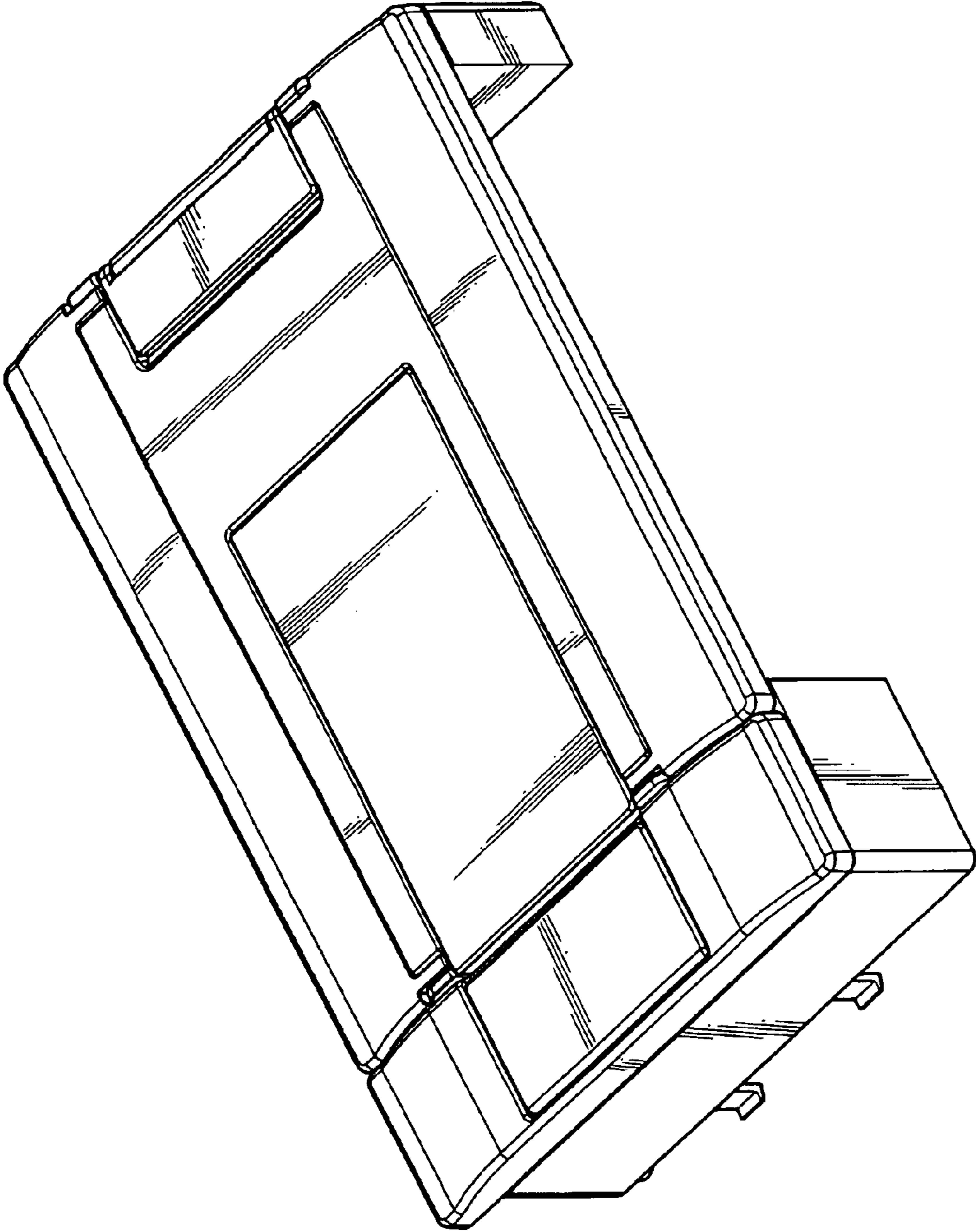


FIG. 1



FIG. 2

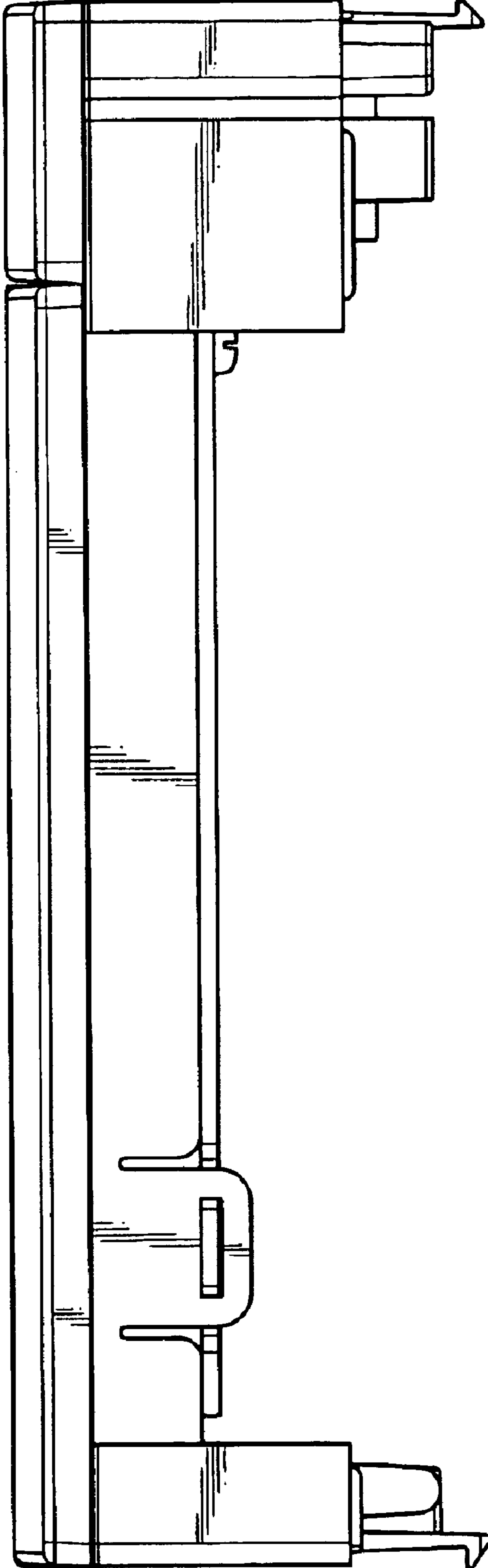


FIG. 3

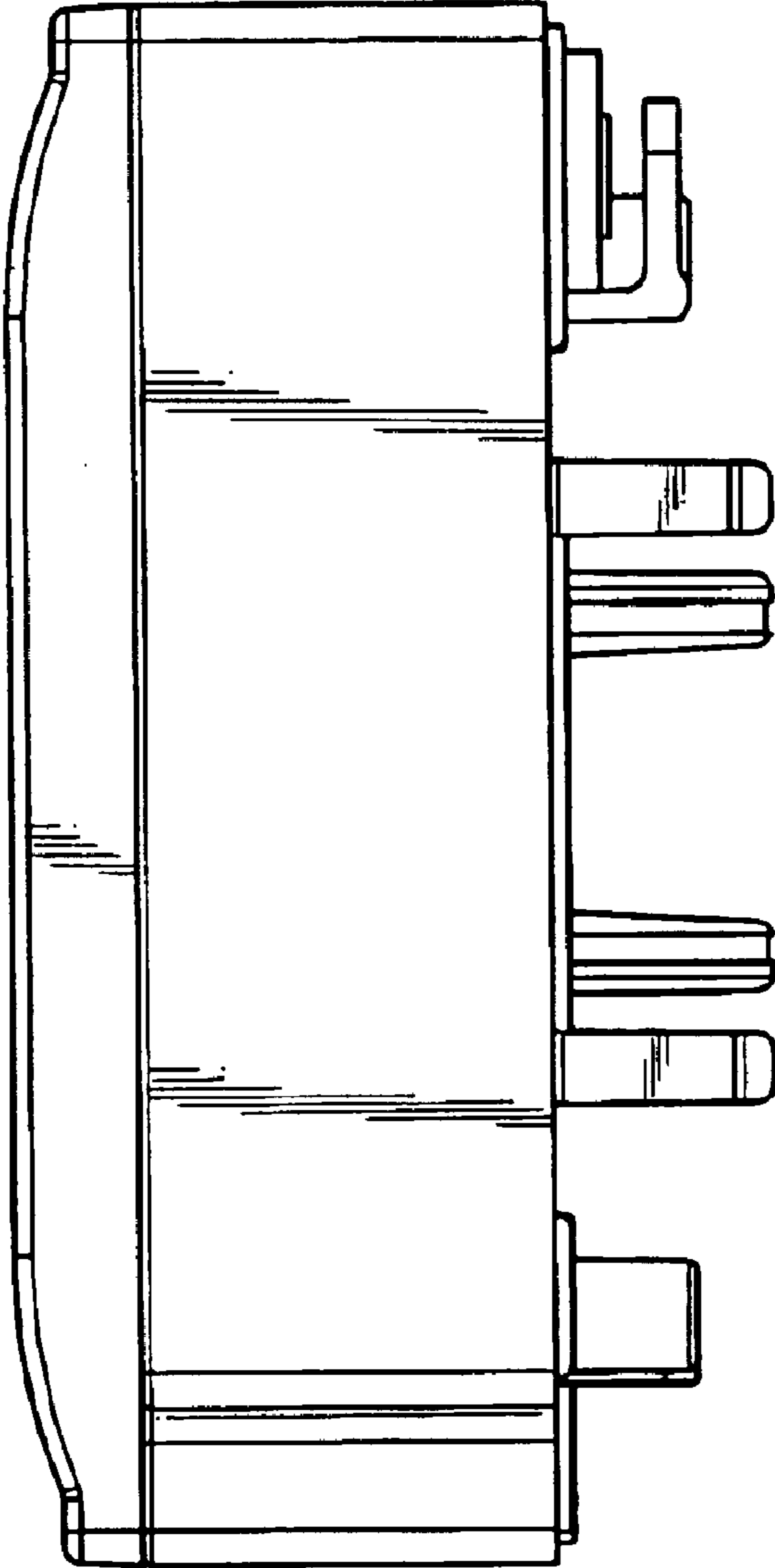


FIG. 4

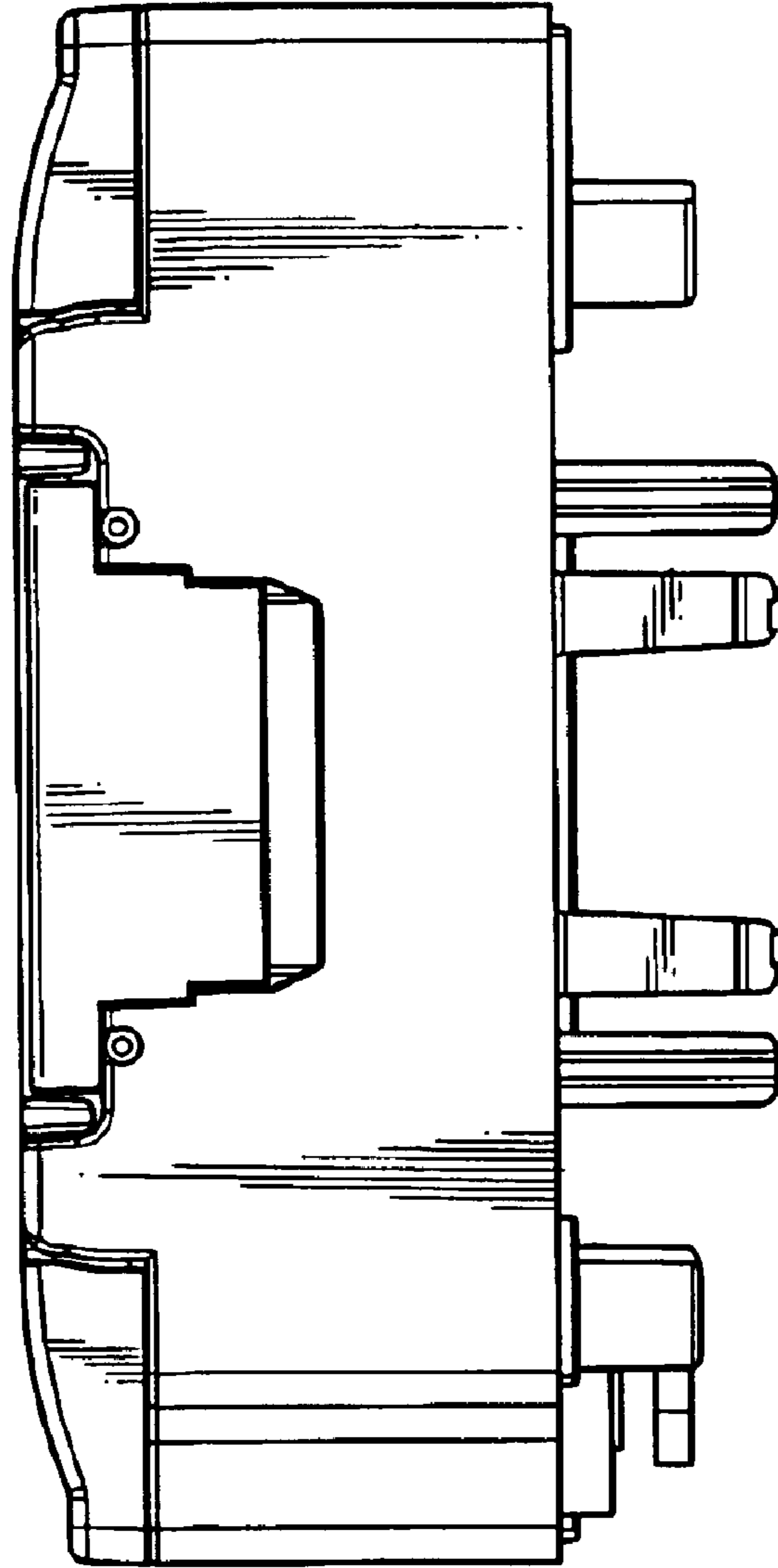


FIG. 5

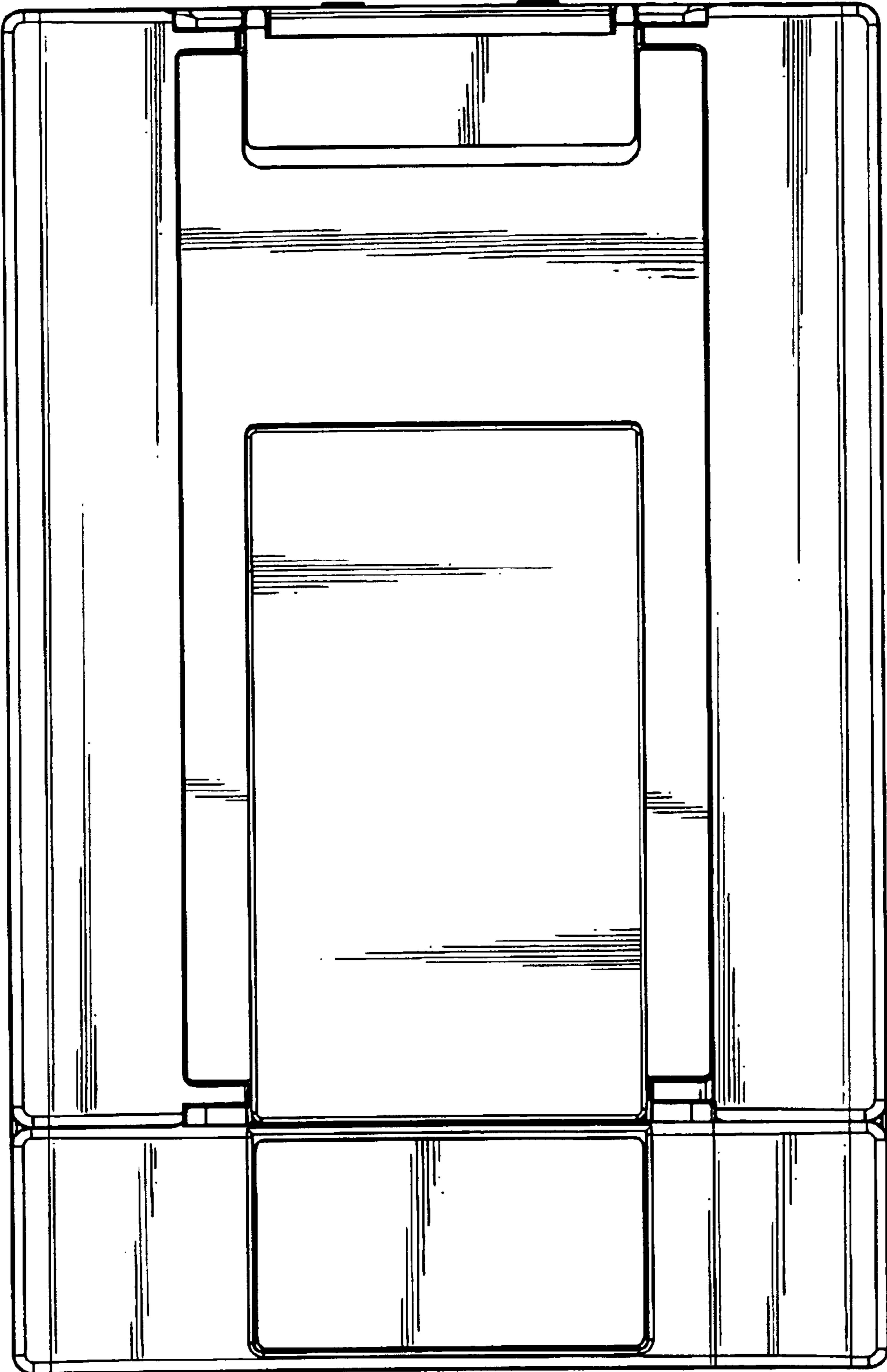


FIG. 6

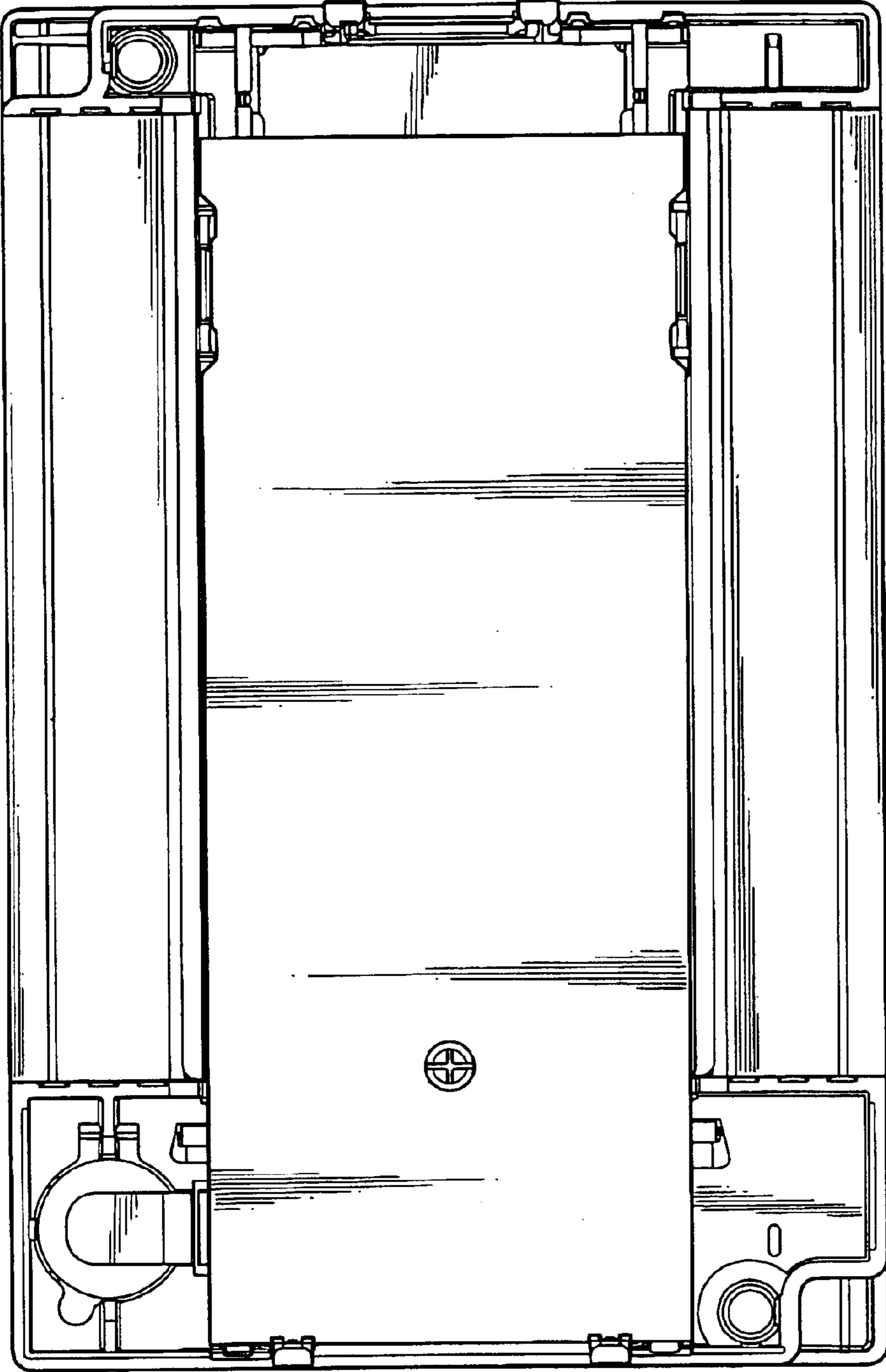


FIG. 7